



US00D534475S

(12) **United States Design Patent**
Lin

(10) **Patent No.:** **US D534,475 S**

(45) **Date of Patent:** **** Jan. 2, 2007**

(54) **WINDSHIELD WIPER BLADE CLEANER**

(75) Inventor: **Arlo Lin**, Las Vegas, NV (US)

(73) Assignee: **Esito International LLC.**, Las Vegas, NV (US)

(**) Term: **14 Years**

(21) Appl. No.: **29/251,360**

(22) Filed: **Jan. 6, 2006**

(51) **LOC (8) Cl.** **12-06**

(52) **U.S. Cl.** **D12/220; D32/46; D32/40**

(58) **Field of Classification Search** **D32/40-42, D32/46, 39; D12/219-220; 15/105, 236.06, 15/236.05, 236.02, 250.41-42, 250.36, 250.48; D25/119; D7/696**

See application file for complete search history.

(56) **References Cited**

U.S. PATENT DOCUMENTS

D49,182 S	*	6/1916	Gregwer	D32/46
D50,078 S	*	12/1916	Schmitt	D32/46
D233,586 S	*	11/1974	Kopp	D32/46
D242,209 S	*	11/1976	Klein	D32/40
D269,944 S	*	8/1983	Young	D8/349

D302,880 S	*	8/1989	Terry	D32/46
D332,160 S	*	12/1992	Kuzma	D32/41
D343,484 S	*	1/1994	Moran et al.	D32/40
5,426,895 A	*	6/1995	Siciliano et al.	451/523
5,860,182 A	*	1/1999	Sareyani	15/114
6,017,267 A	*	1/2000	Ariza et al.	451/523
6,760,951 B1	*	7/2004	Wynen et al.	15/250.48

* cited by examiner

Primary Examiner—Pamela J. Burgess

(74) *Attorney, Agent, or Firm*—Alan D. Kamrath; Nikolai & Mersereau, P.A.

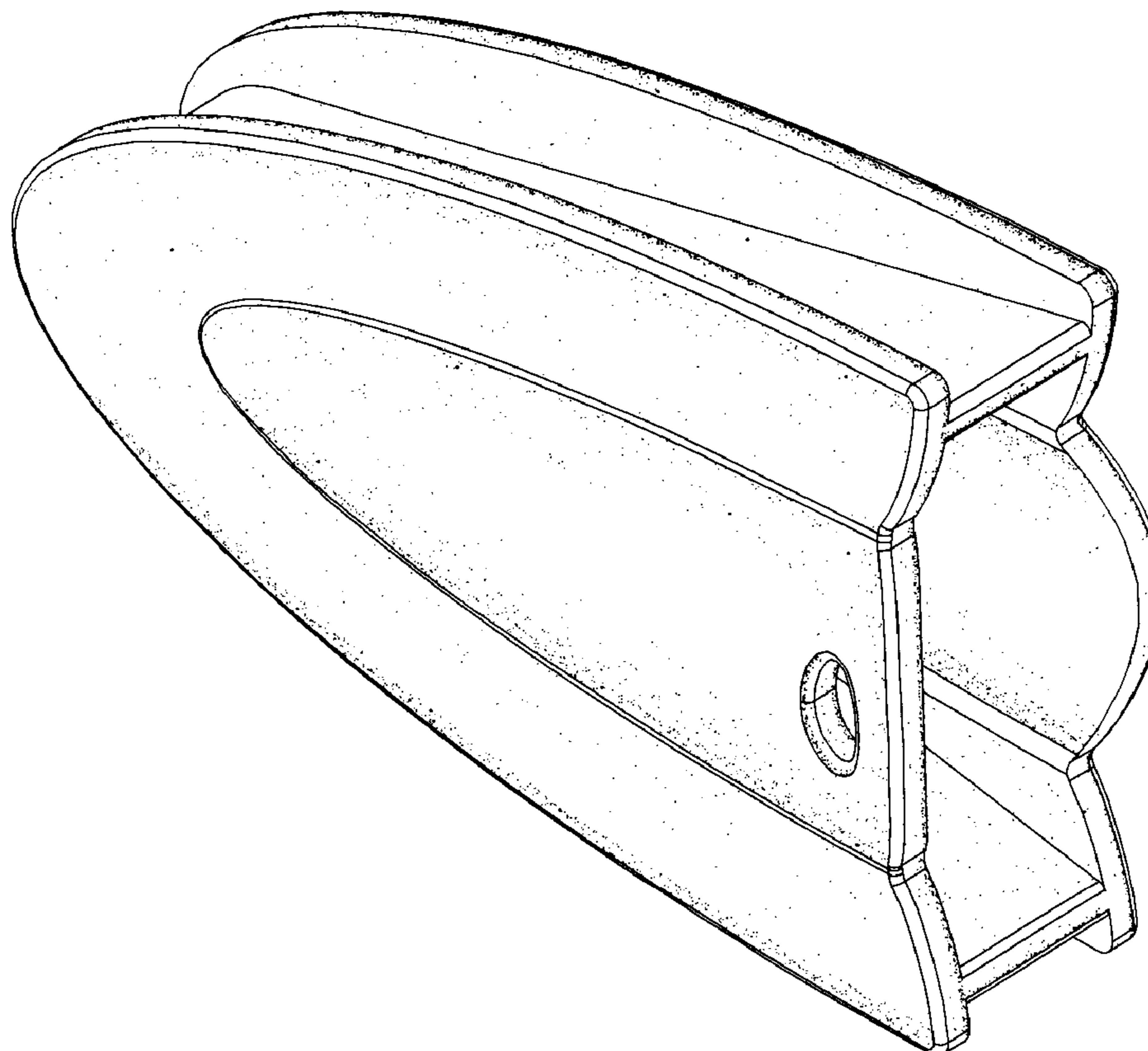
(57) **CLAIM**

The ornamental design for a windshield wiper blade cleaner, as shown and described.

DESCRIPTION

FIG. 1 is a perspective view of a windshield wiper blade cleaner showing my new design; FIG. 2 is a front view thereof; FIG. 3 is a rear view thereof; FIG. 4 is a left view thereof; FIG. 5 is a right view thereof; FIG. 6 is a top view thereof; and, FIG. 7 is a bottom view thereof.

1 Claim, 3 Drawing Sheets



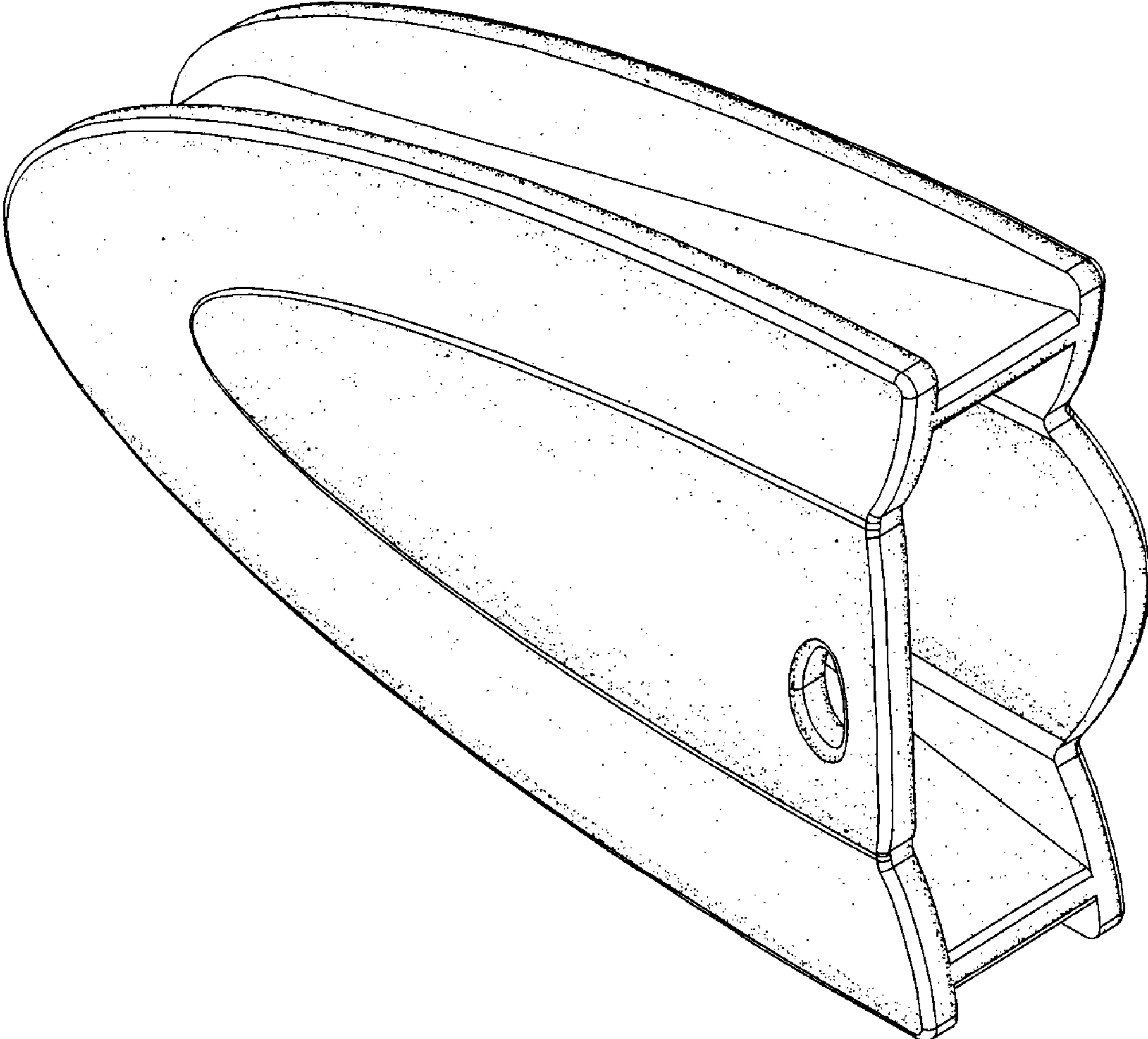


Fig. 1

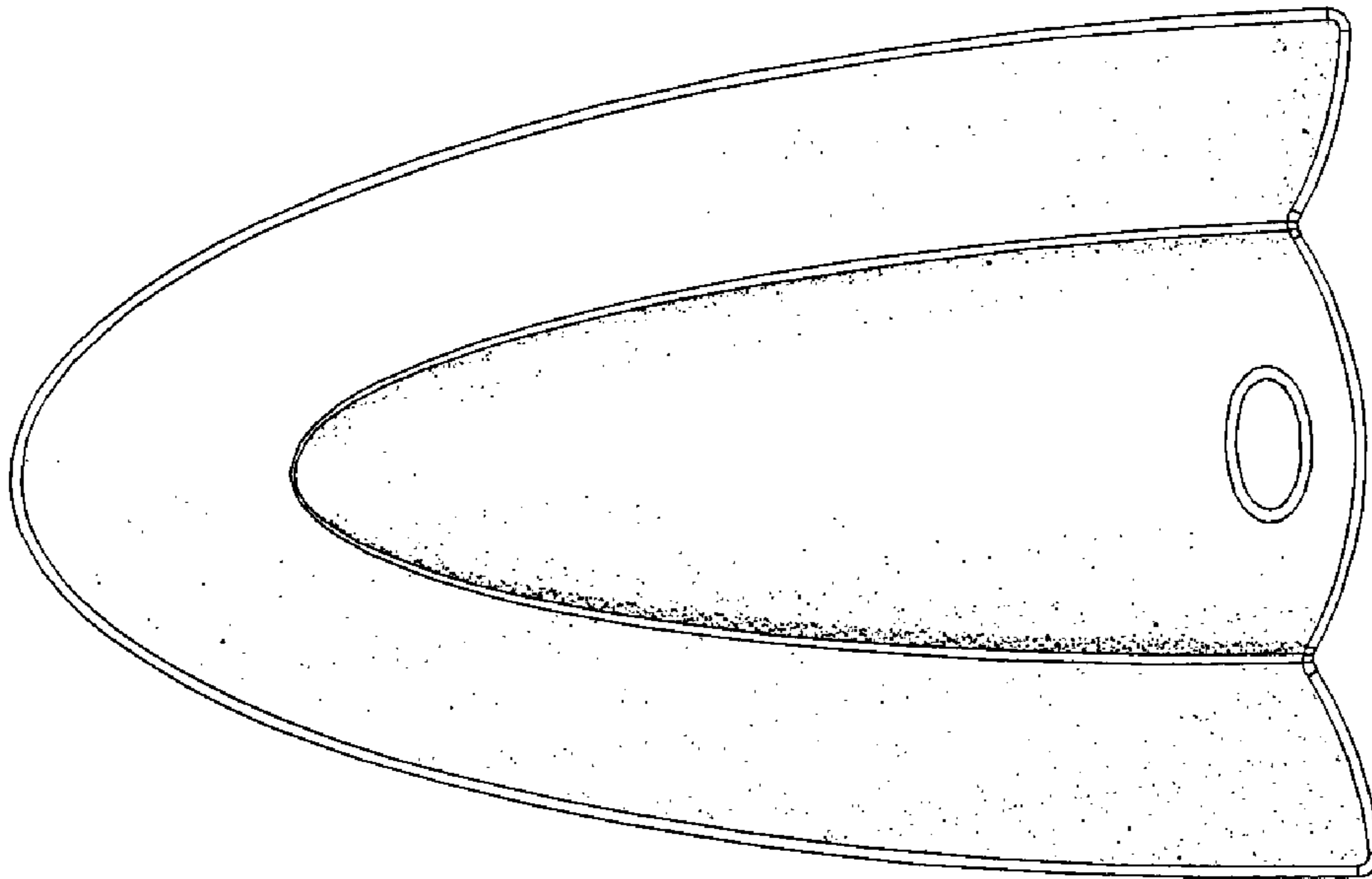


Fig. 2

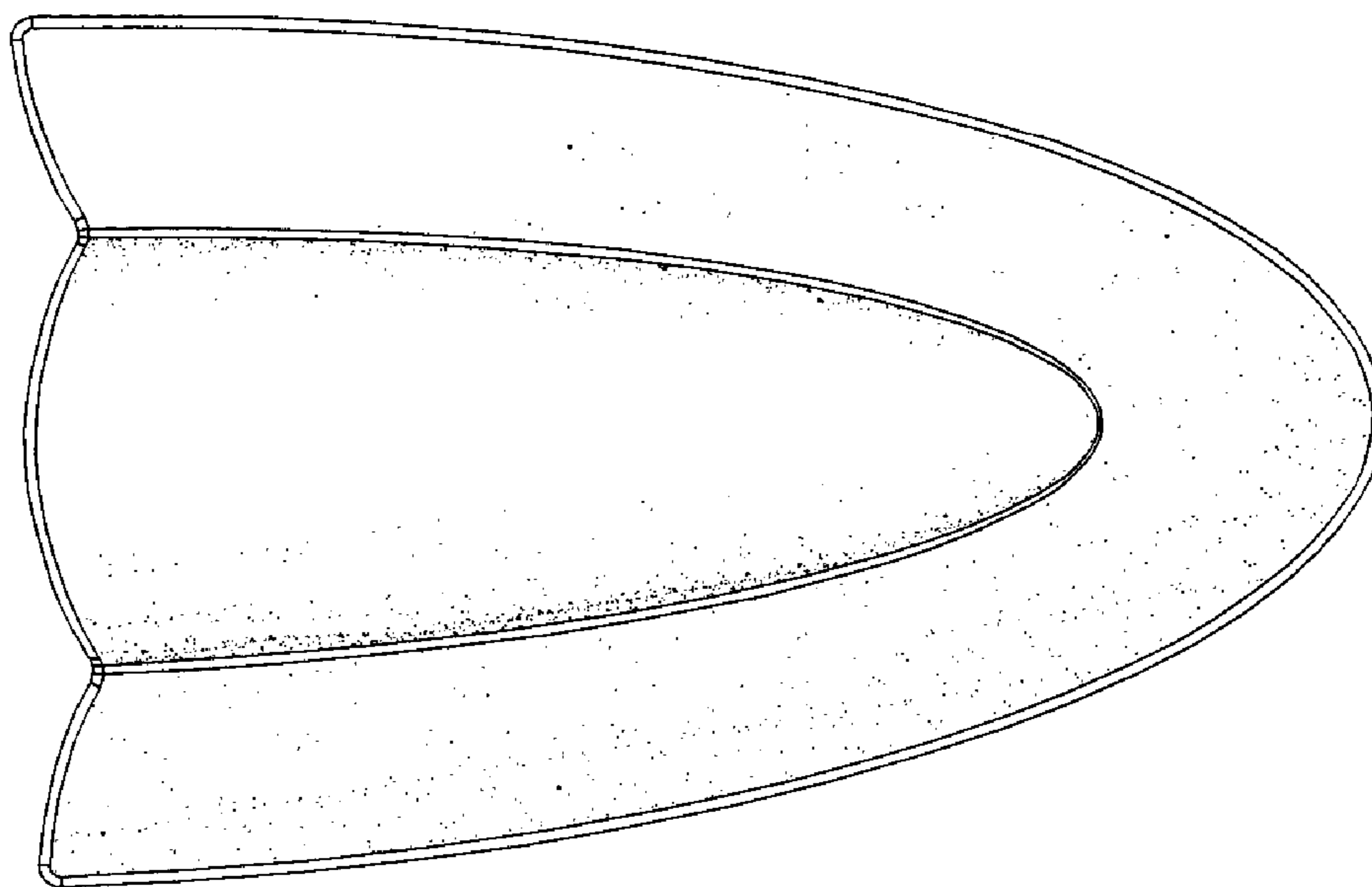


Fig. 3

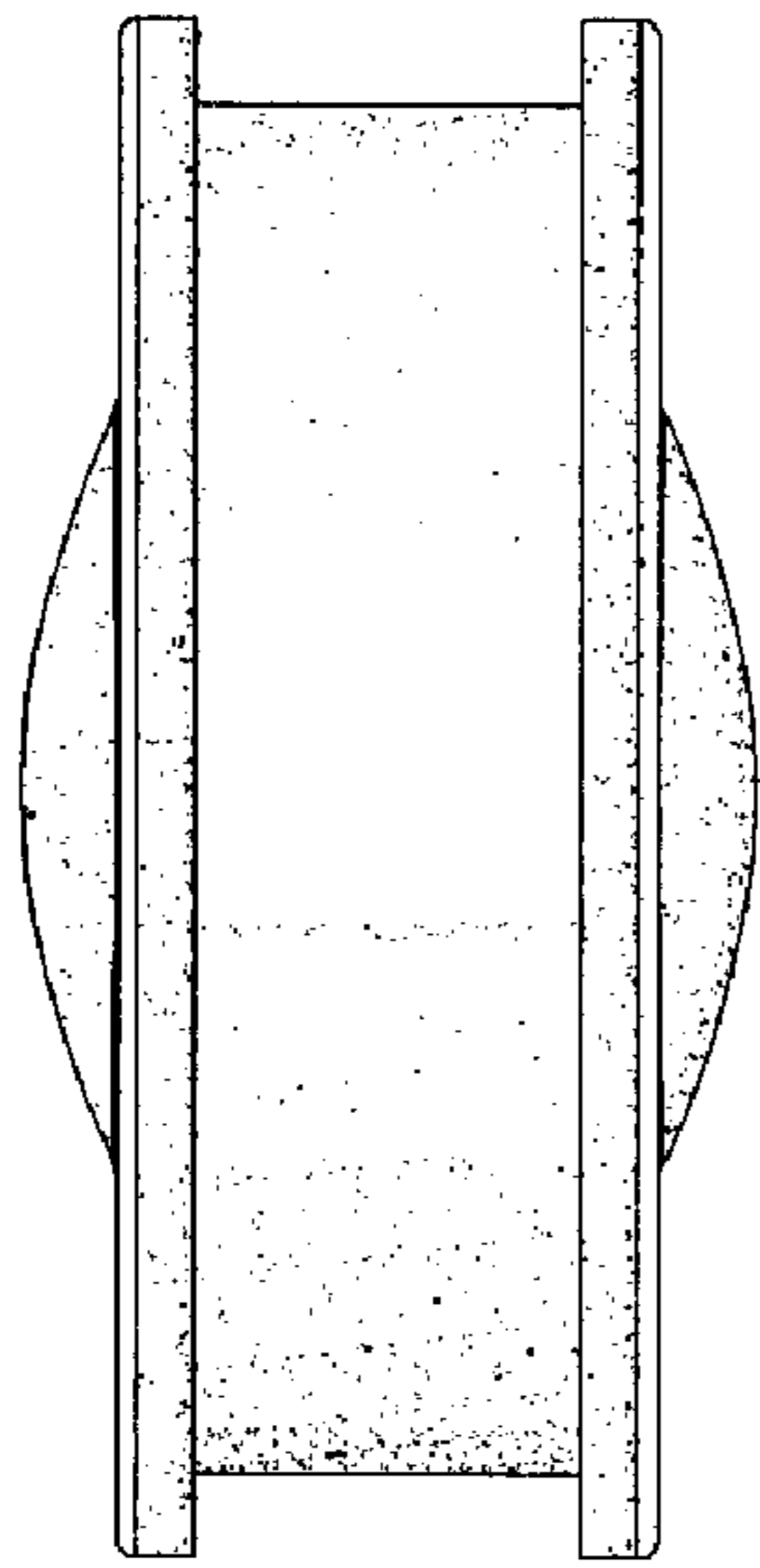


Fig. 4

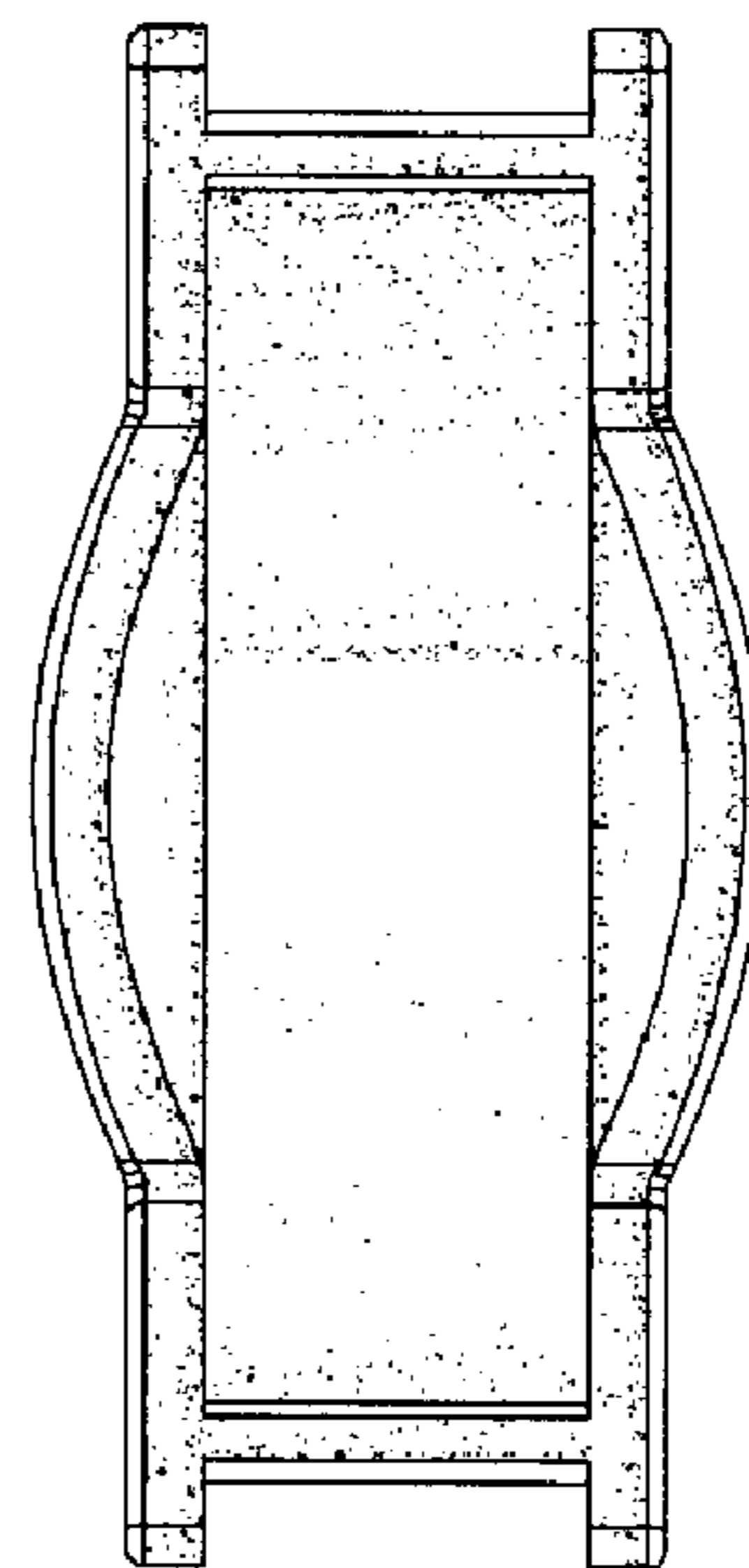


Fig. 5

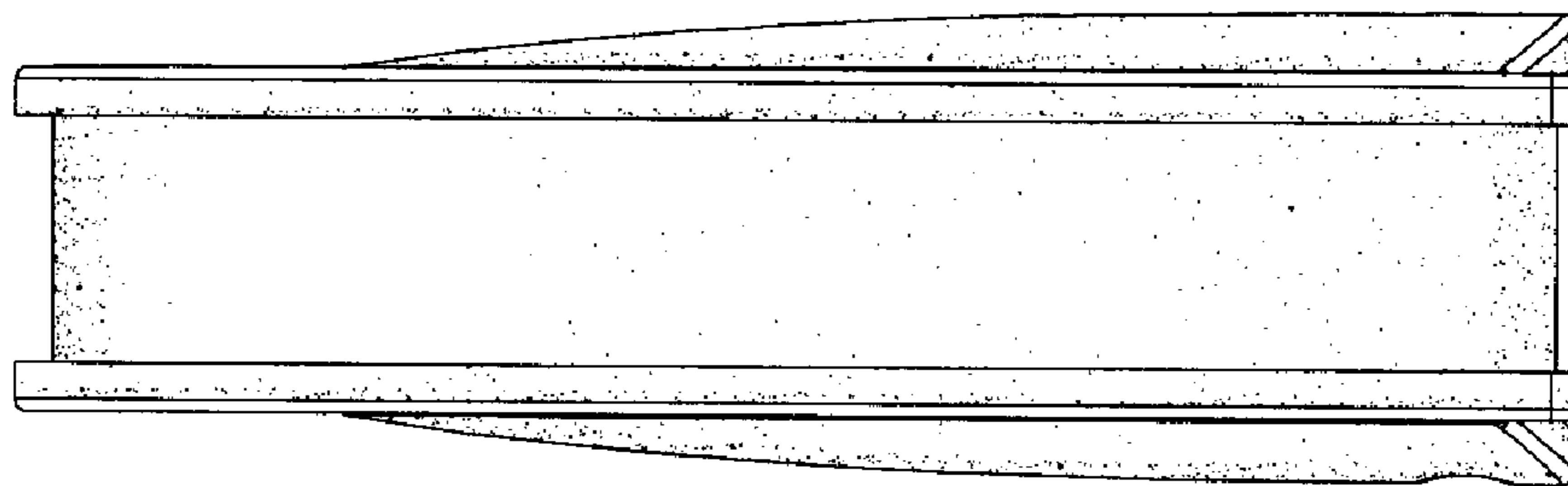


Fig. 6

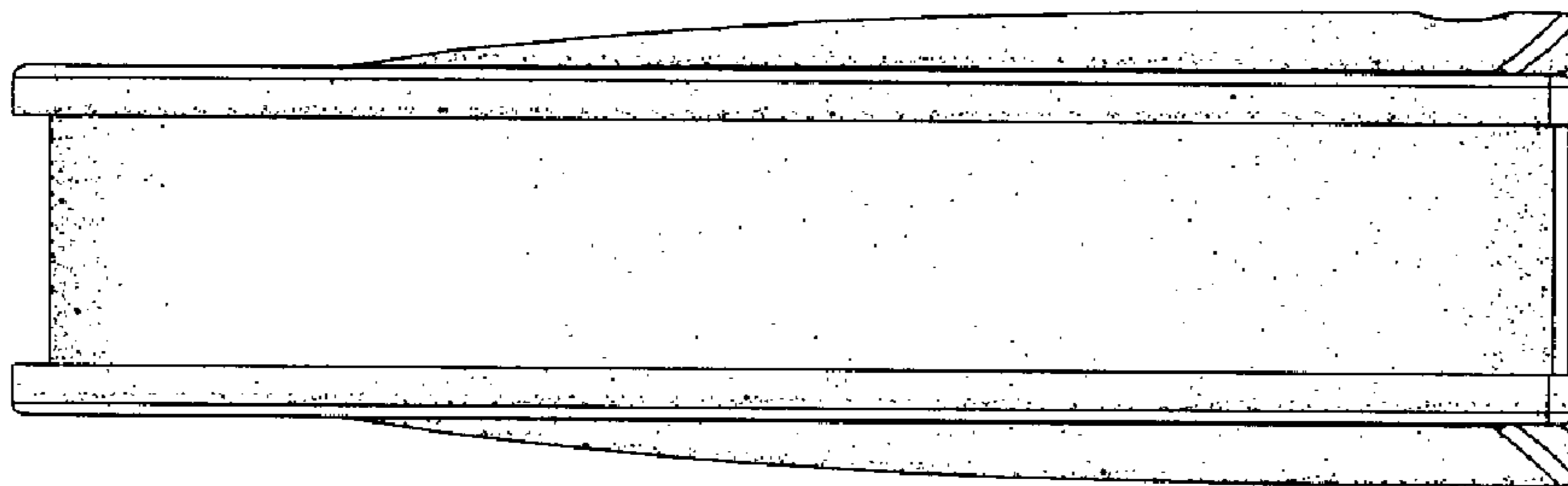


Fig. 7