



US00D534473S

(12) **United States Design Patent**
Bernoni

(10) **Patent No.:** **US D534,473 S**

(45) **Date of Patent:** **** Jan. 2, 2007**

(54) **WHEEL FOR A MOTOR VEHICLE**

(75) Inventor: **Claudio Bernoni**, Selvazzano Dentro (IT)

(73) Assignee: **O.Z. S.p.A.**, Vicenza (IT)

(**) Term: **14 Years**

(21) Appl. No.: **29/239,182**

(22) Filed: **Sep. 27, 2005**

(30) **Foreign Application Priority Data**

Apr. 1, 2005 (EM) 000320650

(51) **LOC (8) Cl.** **12-16**

(52) **U.S. Cl.** **D12/211**

(58) **Field of Classification Search** D12/204-213;
301/37.101, 64.101, 65

See application file for complete search history.

(56) **References Cited**

U.S. PATENT DOCUMENTS

D421,417 S * 3/2000 Weidhase D12/209

D432,974 S * 10/2000 Jablonski D12/211

D449,812 S * 10/2001 Penzes D12/211

D461,441 S * 8/2002 Hartanto D12/211

D502,677 S * 3/2005 Baum D12/209

D503,919 S * 4/2005 Cahyono D12/211

D506,172 S * 6/2005 Pfeiffer D12/211

* cited by examiner

Primary Examiner—Stacia Cadmus

(74) *Attorney, Agent, or Firm*—Fay, Sharpe, Fagan, Minnich & McKee, LLP

(57) **CLAIM**

The ornamental design for a wheel for a motor vehicle, as shown and described.

DESCRIPTION

FIG. 1 is a front perspective view of a wheel for a motor vehicle showing my new design;

FIG. 2 is a front view thereof;

FIG. 3 is a rear side view thereof;

FIG. 4 is a right side view thereof;

FIG. 5 is a left side view thereof;

FIG. 6 is a top plan view thereof; and,

FIG. 7 is a bottom plan view thereof.

1 Claim, 2 Drawing Sheets

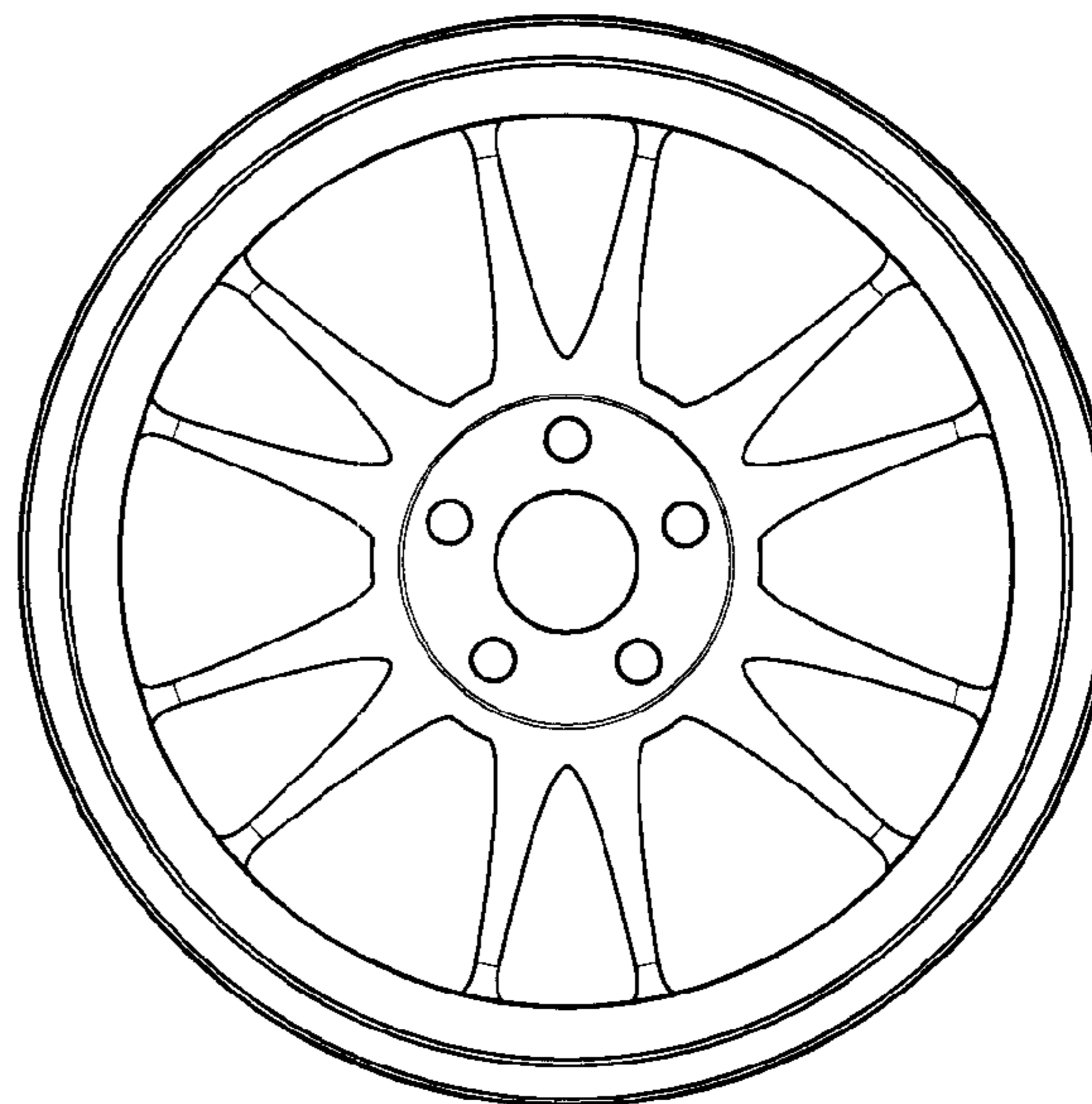
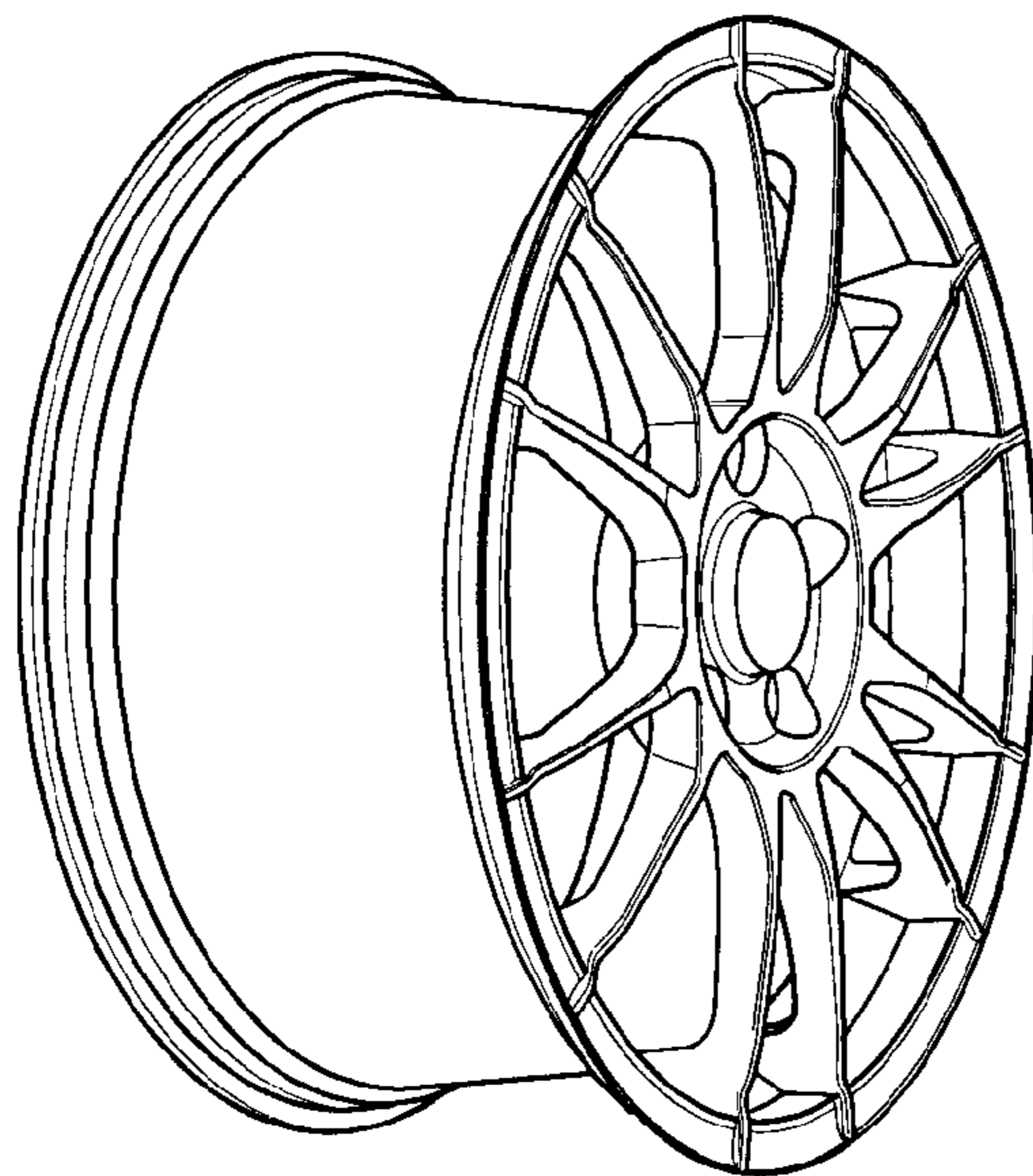


FIG. 1

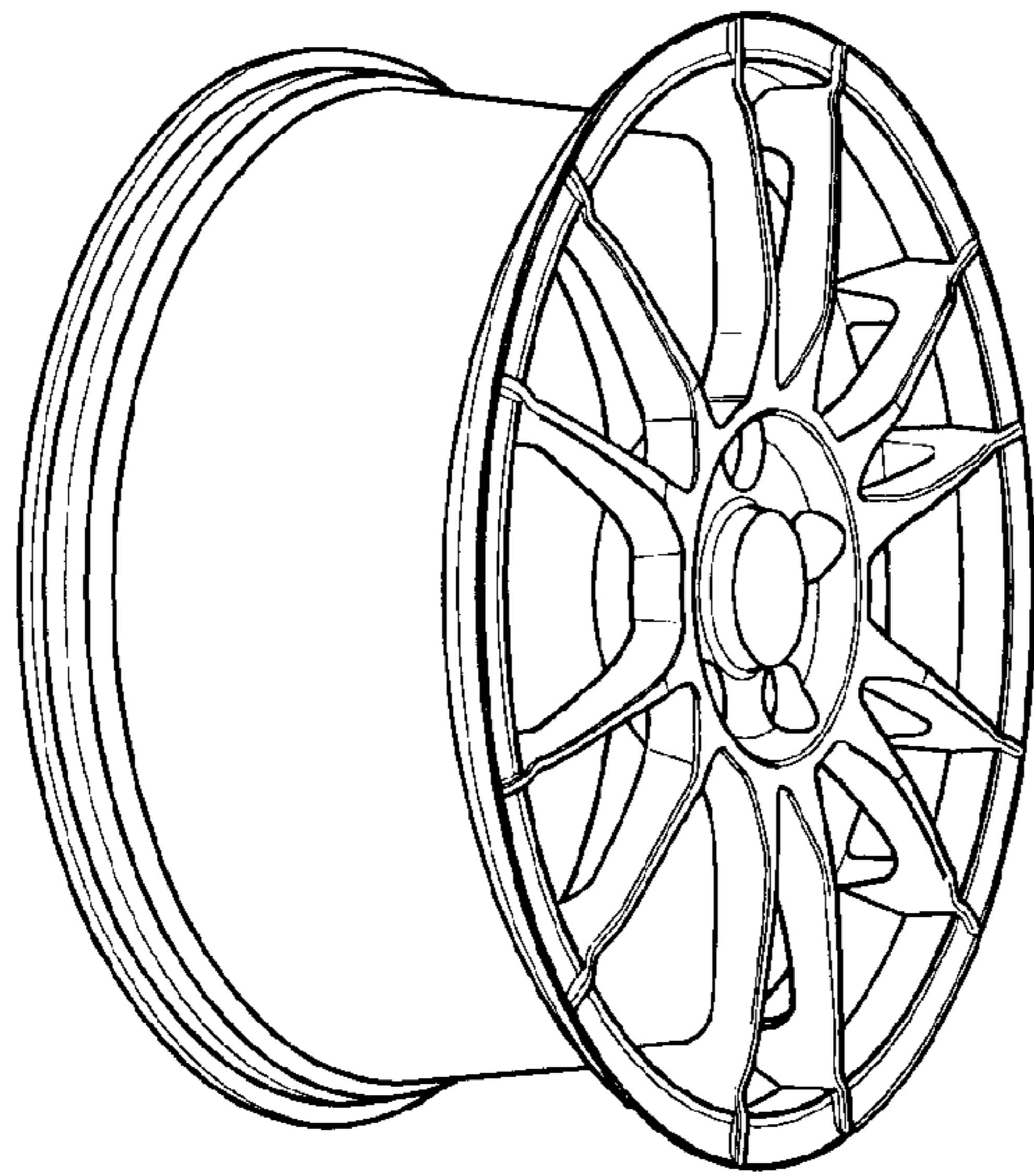


FIG. 2

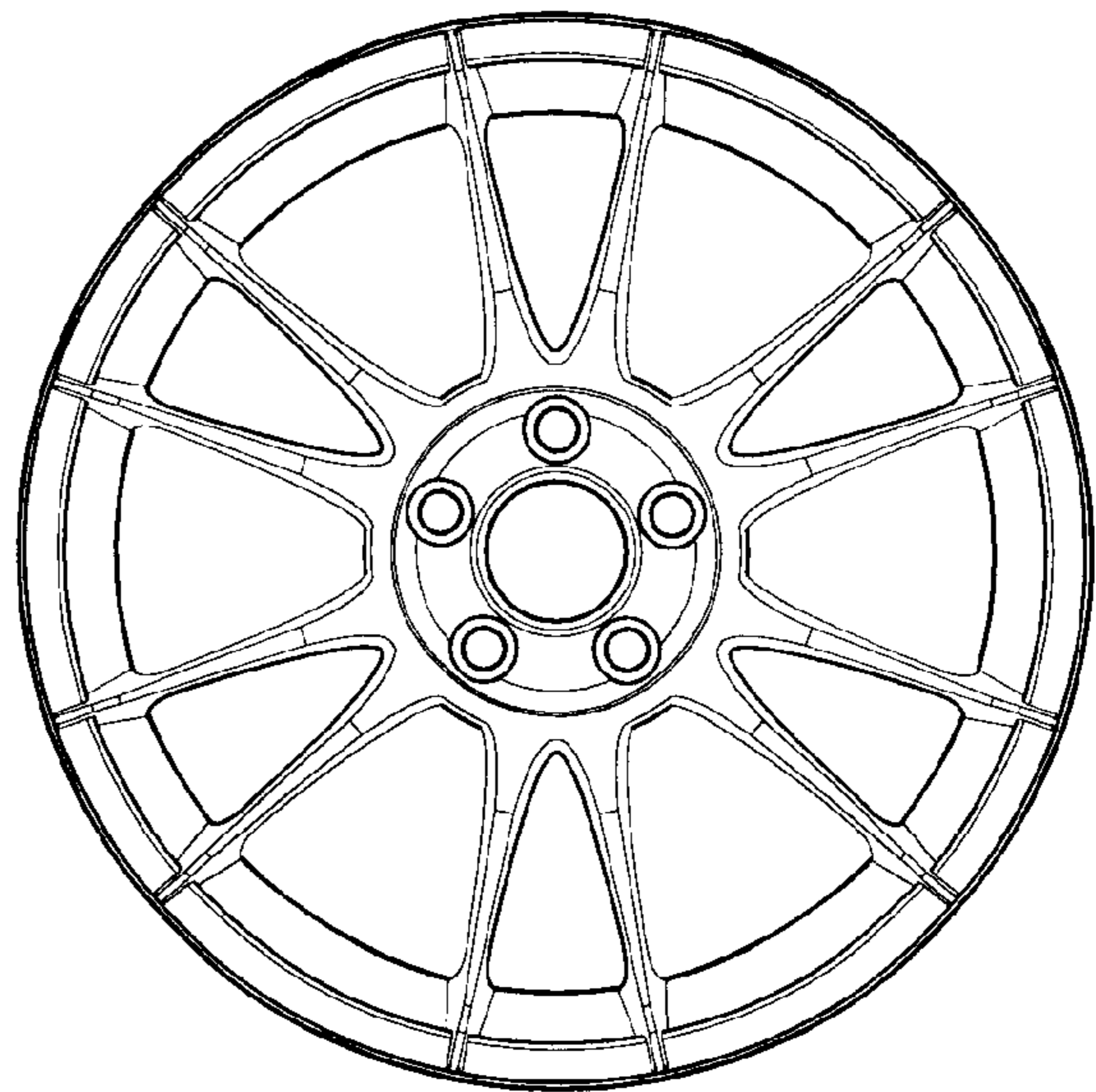


FIG. 3

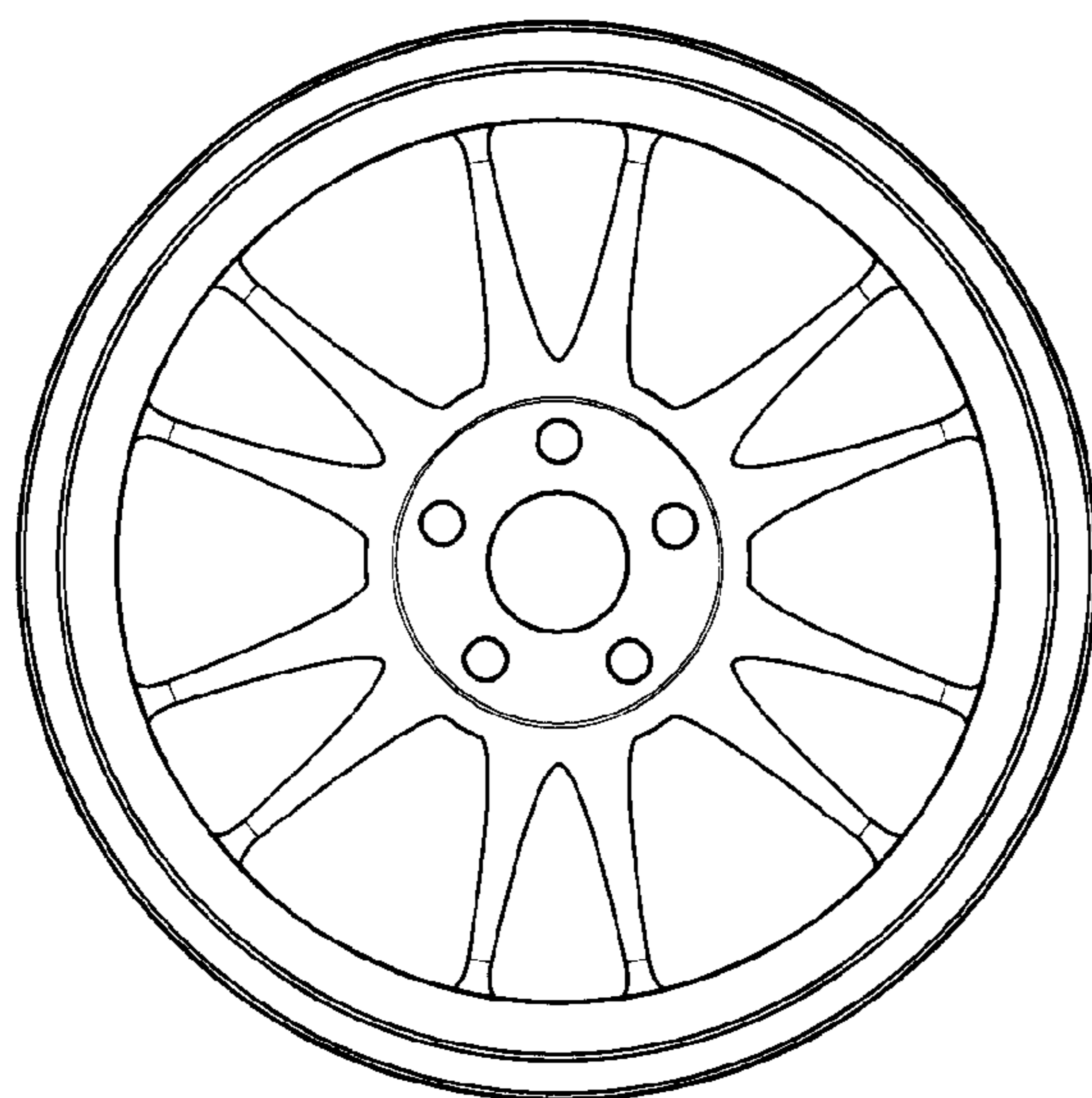


FIG.4

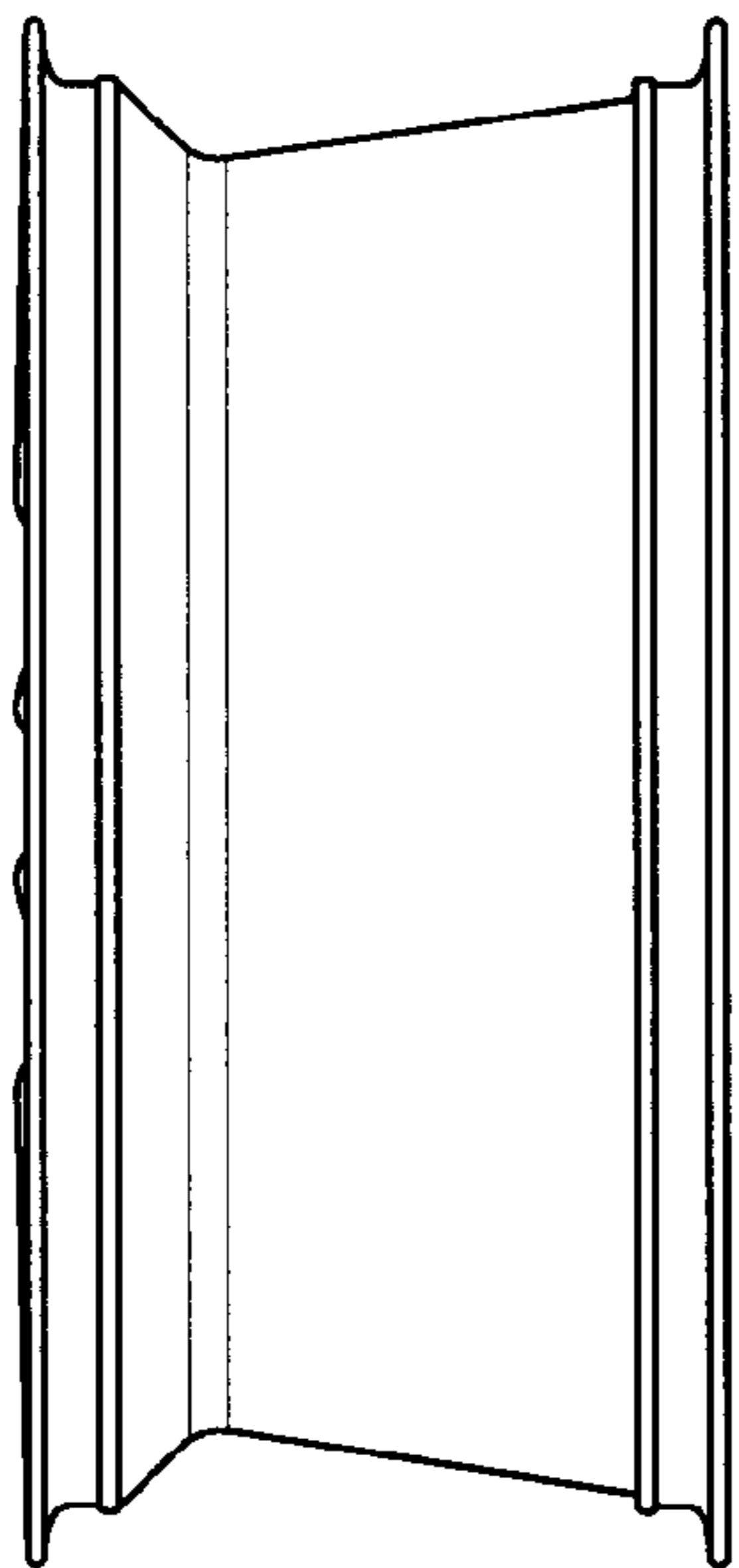


FIG.5

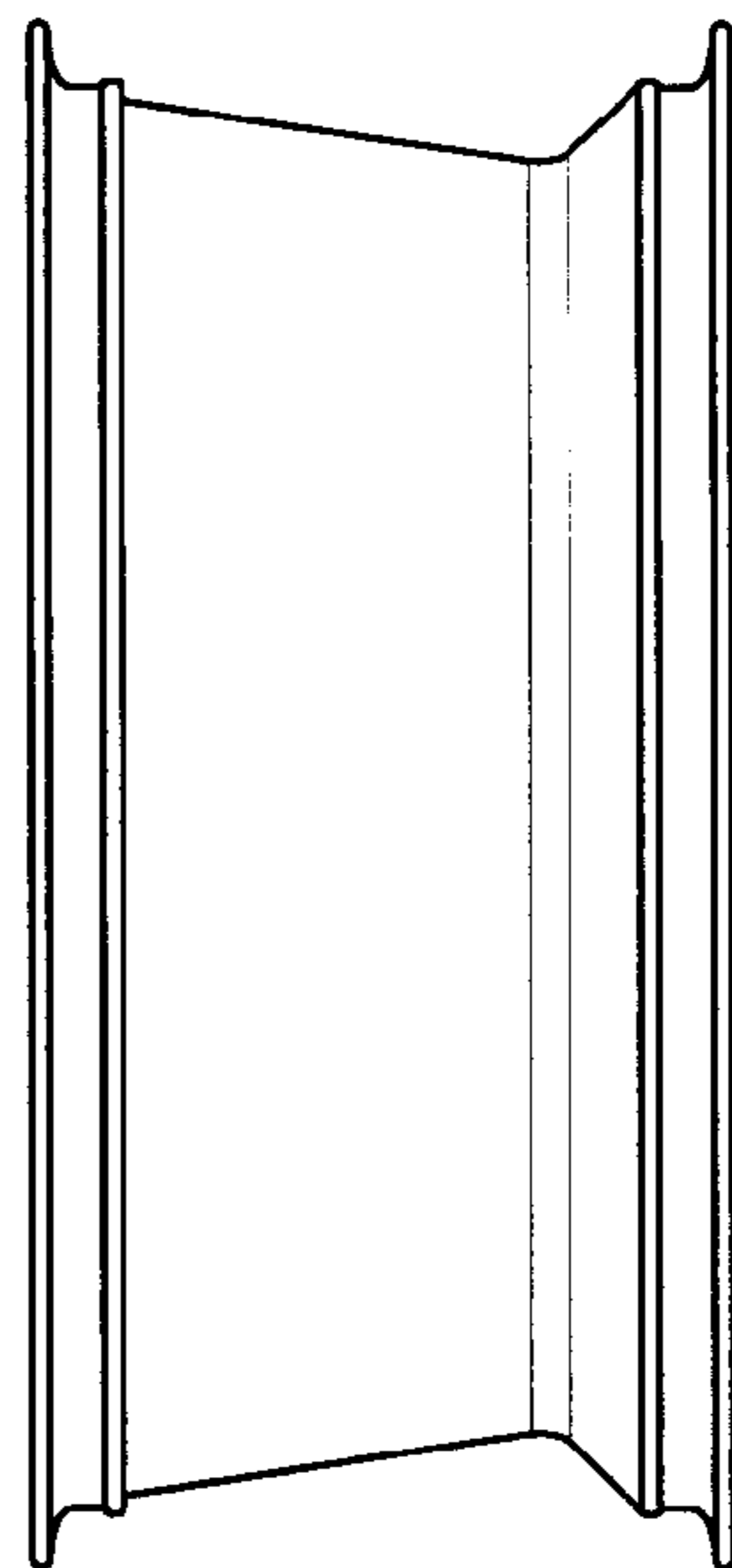


FIG.6

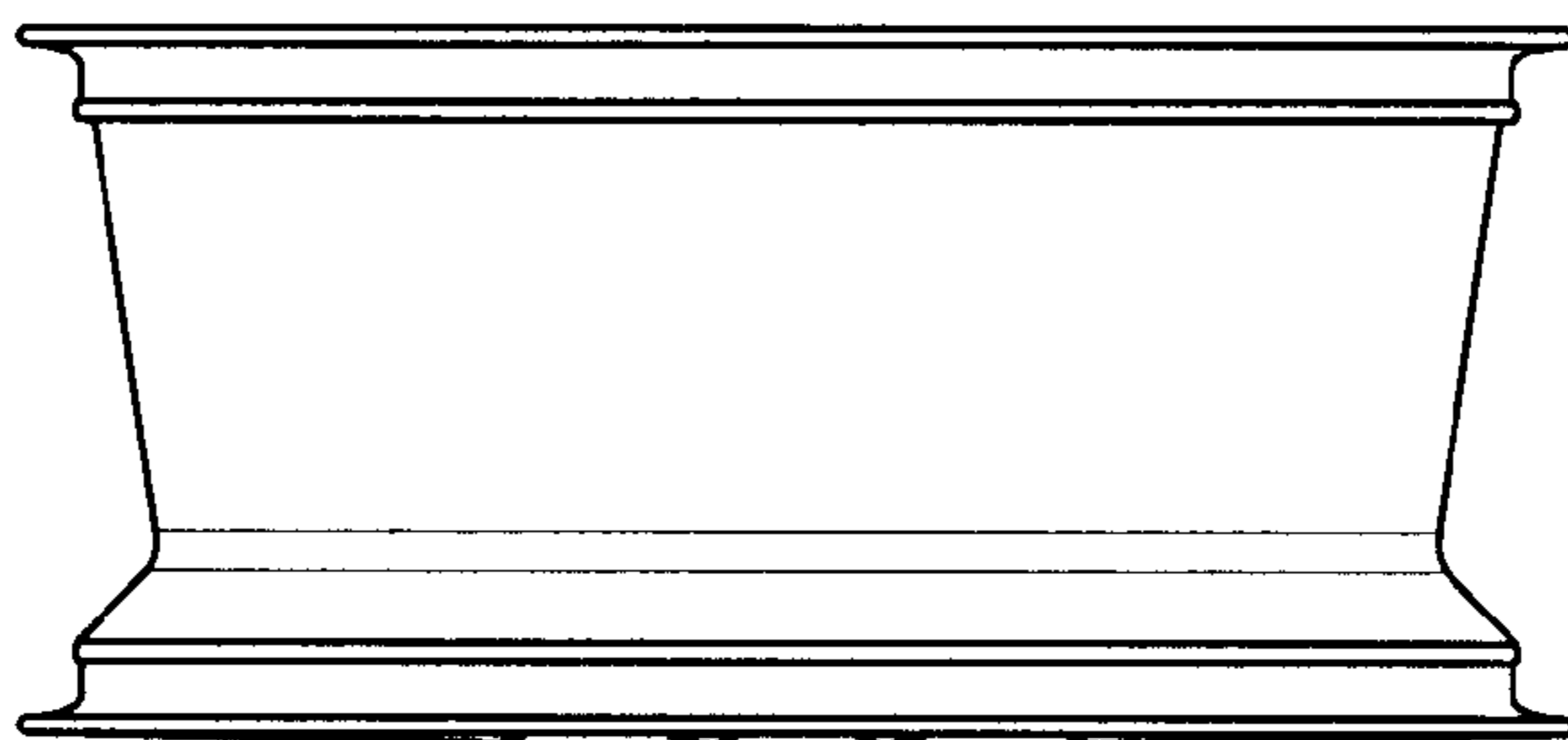
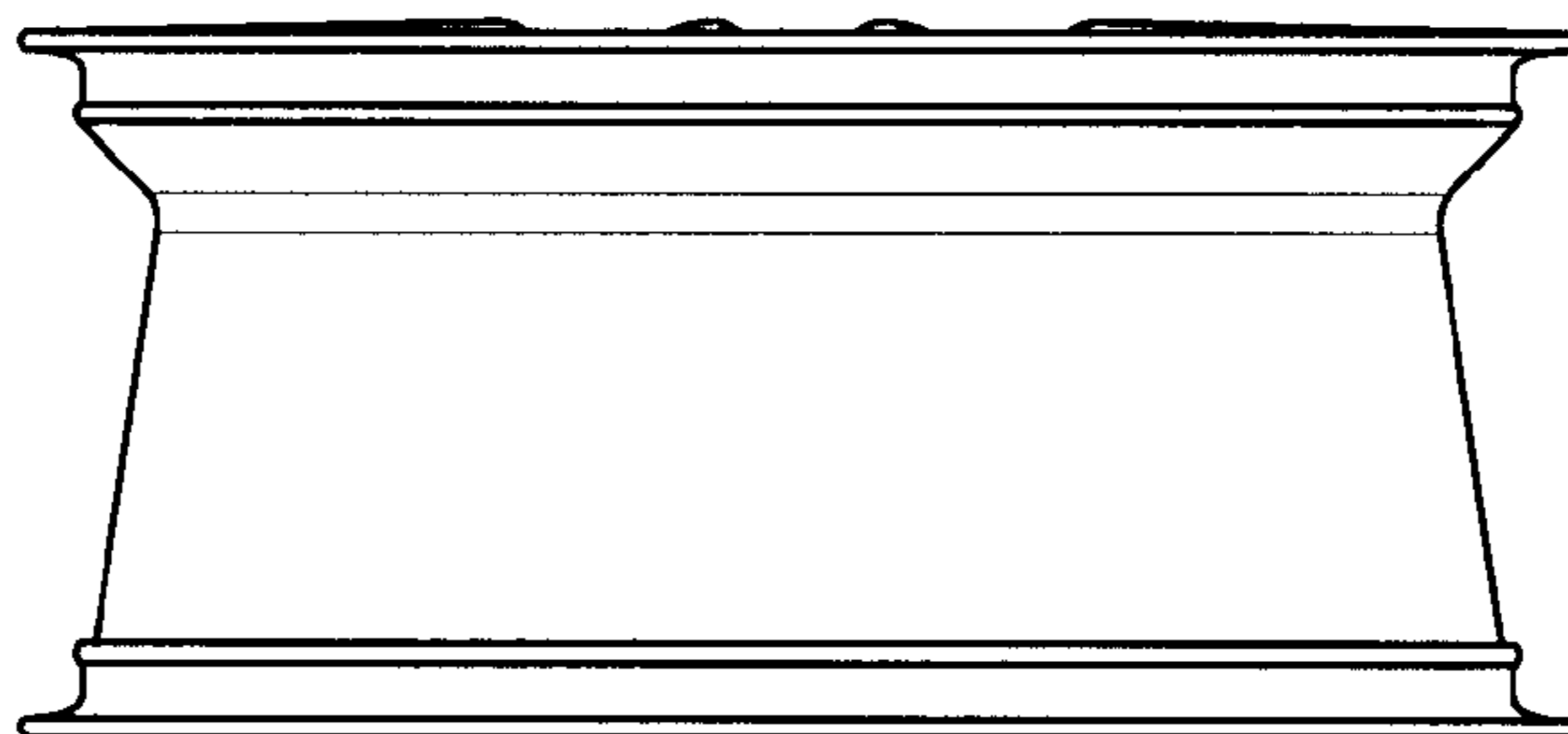


FIG.7



UNITED STATES PATENT AND TRADEMARK OFFICE
CERTIFICATE OF CORRECTION

PATENT NO. : Des. 534,473 S
APPLICATION NO. : 29/239182
DATED : January 2, 2007
INVENTOR(S) : Claudio Bernoni

Page 1 of 1

It is certified that error appears in the above-identified patent and that said Letters Patent is hereby corrected as shown below:

Title Page,
Item (73) should read as follow: Assignee O.Z. S.p.A. Vicenza (IT)

Signed and Sealed this

Twentieth Day of March, 2007

A handwritten signature in black ink on a light gray dotted background. The signature reads "Jon W. Dudas" in a cursive style.

JON W. DUDAS

Director of the United States Patent and Trademark Office