



US00D534468S

(12) **United States Design Patent**
Colburn et al.

(10) **Patent No.:** **US D534,468 S**

(45) **Date of Patent:** **** Jan. 2, 2007**

(54) **TRUCK SYSTEM DASHBOARD**

(75) Inventors: **Jeffrey B. Colburn**, Harpursville, NY (US); **Gary Crowley**, Binghamton, NY (US); **Charles T. DiSaverio**, Apalachin, NY (US); **Shane F. Mills**, Owego, NY (US)

(73) Assignee: **Lockheed Martin Corporation**, Bethesda, MD (US)

(**) Term: **14 Years**

(21) Appl. No.: **29/259,449**

(22) Filed: **May 9, 2006**

(51) **LOC (8) Cl.** **12-16**

(52) **U.S. Cl.** **D12/192**

(58) **Field of Classification Search** D12/192;
180/90; 280/750-752; 296/70, 190.01-191;
D10/46, 102, 98, 122-127; D15/28

See application file for complete search history.

(56) **References Cited**

U.S. PATENT DOCUMENTS

D339,786 S	*	9/1993	Allendorph et al.	D12/192
D378,585 S	*	3/1997	Duguid et al.	D12/192
D397,977 S	*	9/1998	Hellhake et al.	D12/192
D413,095 S	*	8/1999	Abalos et al.	D12/192
D427,613 S	*	7/2000	Altmann et al.	D15/28
D439,556 S	*	3/2001	Beigel	D12/192
D449,263 S	*	10/2001	Yamazaki et al.	D12/192
D493,395 S	*	7/2004	Hill et al.	D12/192

D501,811 S	*	2/2005	Fukuda et al.	D12/192
D514,995 S	*	2/2006	Acton et al.	D12/192
D515,487 S	*	2/2006	Tanaka et al.	D12/192

* cited by examiner

Primary Examiner—Stacia Cadmus

(74) *Attorney, Agent, or Firm*—Burns & Levinson LLP; Jacob N. Erlich

(57) **CLAIM**

The ornamental design for a truck system dashboard, as shown and described.

DESCRIPTION

FIG. 1 is an isometric view of the truck system dashboard as viewed from the passenger's side, showing our new design. FIG. 2 is an enlarged isometric view of the map drawer with the drawer retracted.

FIG. 3 is an enlarged isometric view of the map drawer with the drawer extended.

FIG. 4 is an enlarged isometric view of the map drawer with the drawer cover retracted.

FIG. 5 is a front view.

FIG. 6 is a rear view.

FIG. 7 is an enlarged left side view.

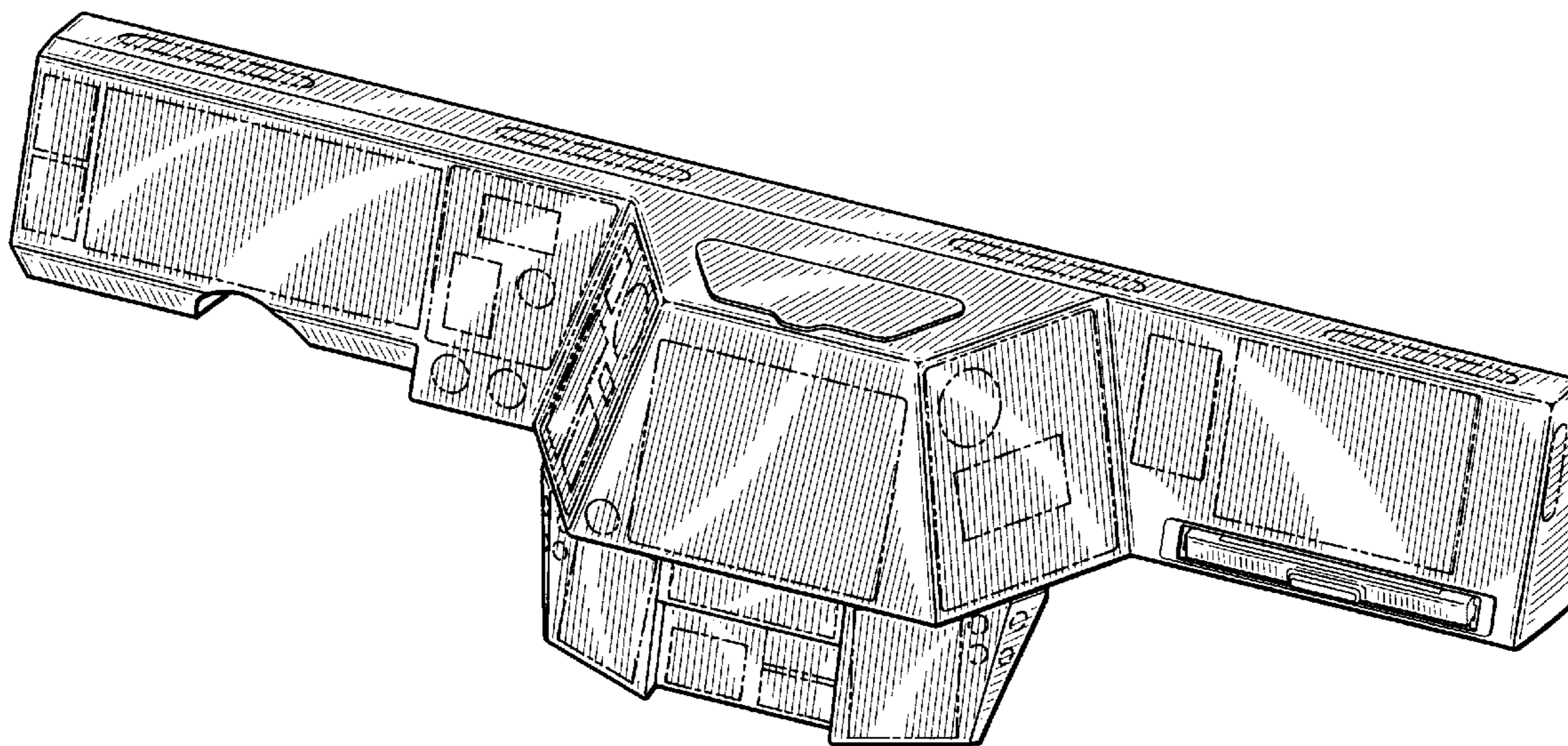
FIG. 8 is an enlarged right side view.

FIG. 9 is a top view; and,

FIG. 10 is a bottom view.

The broken line showing of environment is for illustrative purposes only and forms no part of the claimed design.

1 Claim, 5 Drawing Sheets



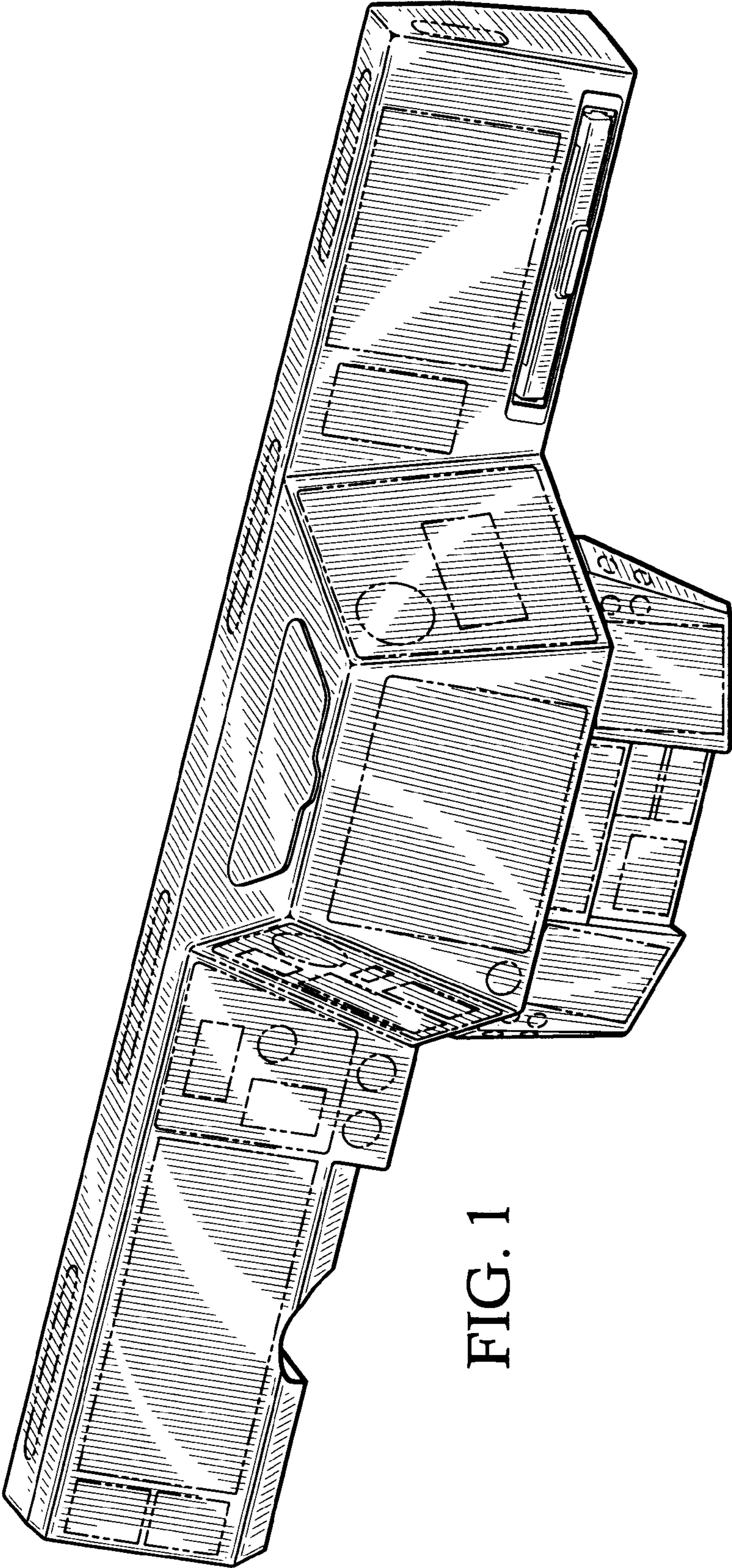


FIG. 1

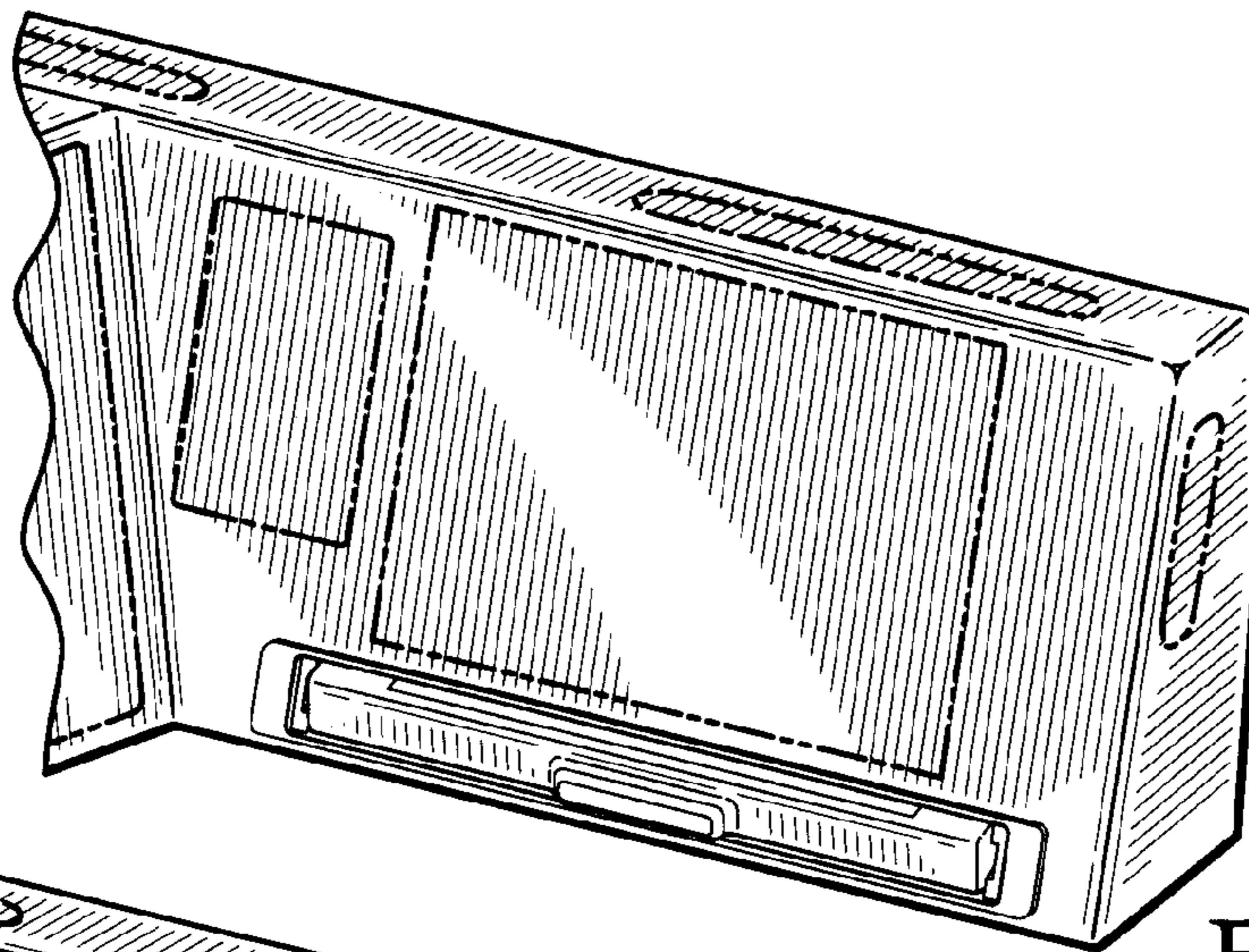


FIG. 2

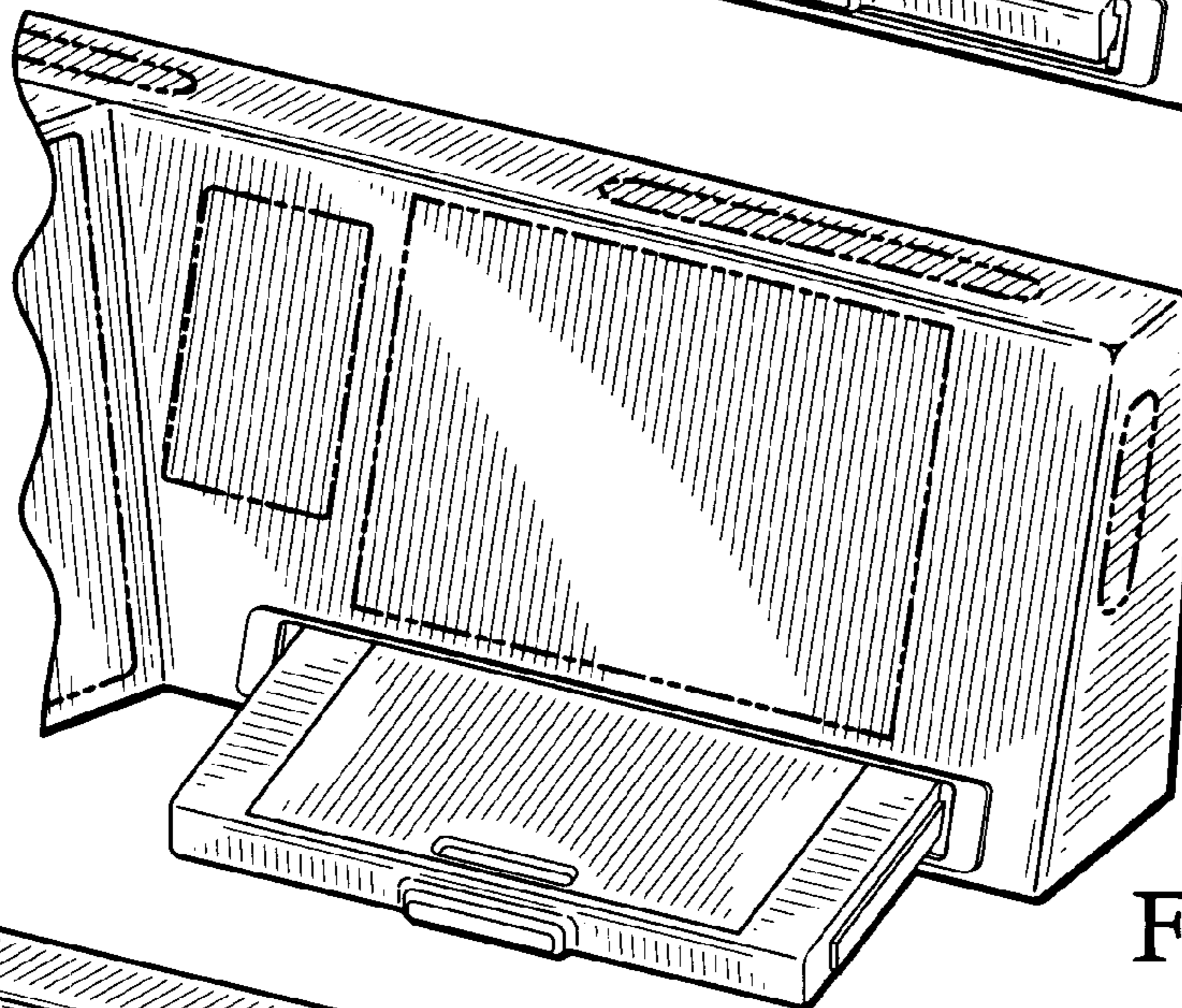


FIG. 3

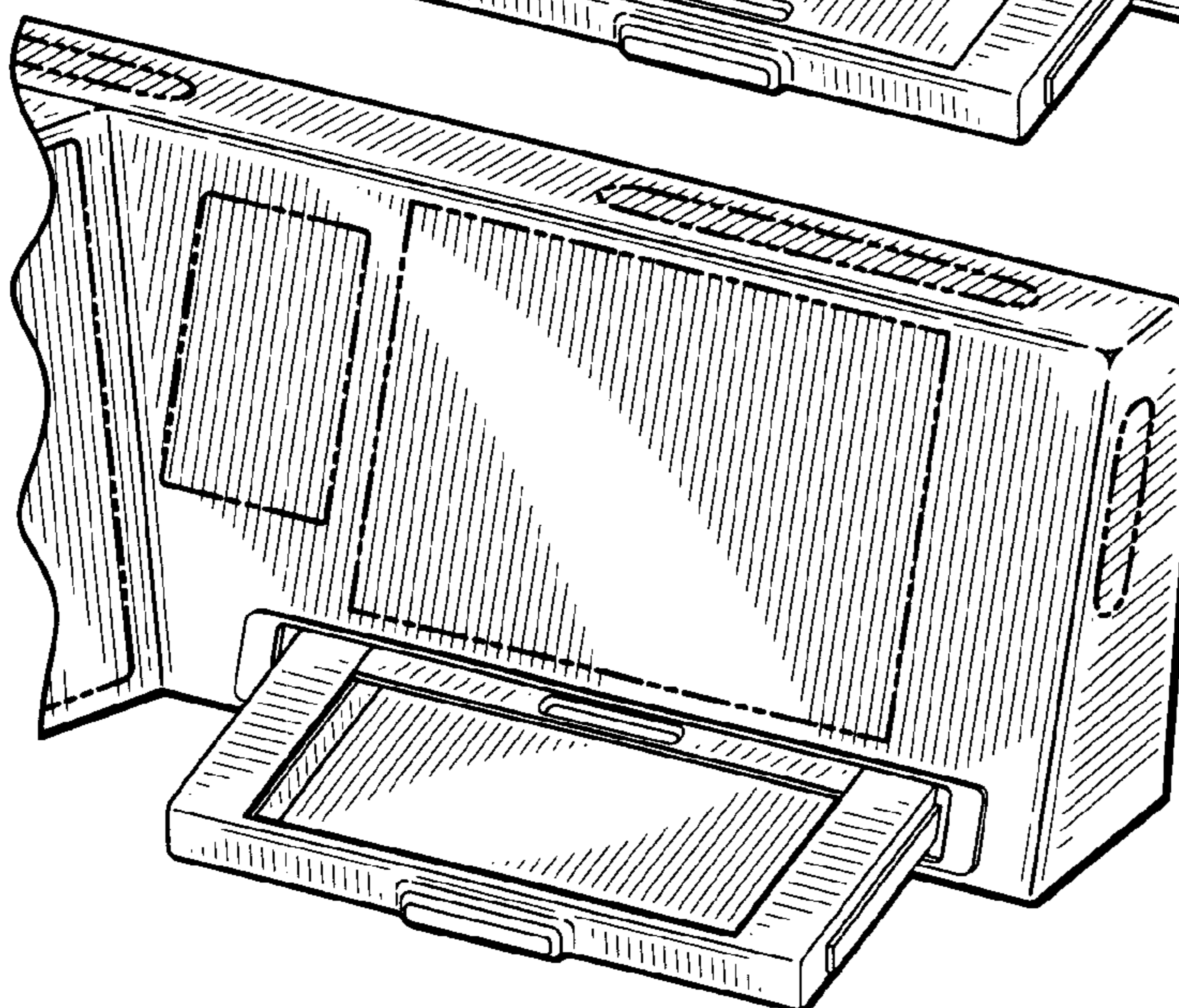


FIG. 4

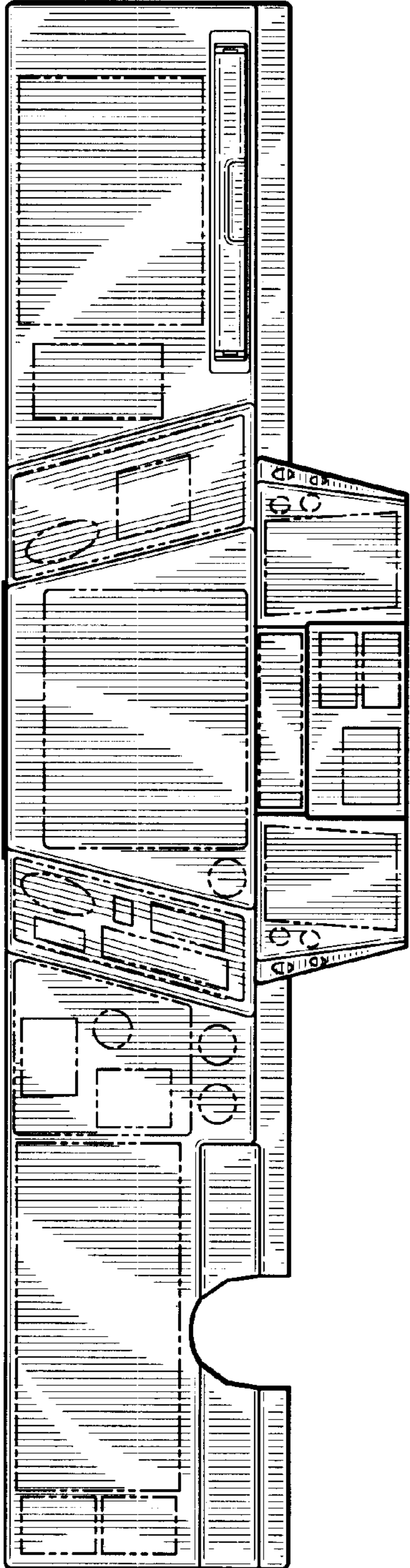


FIG. 5

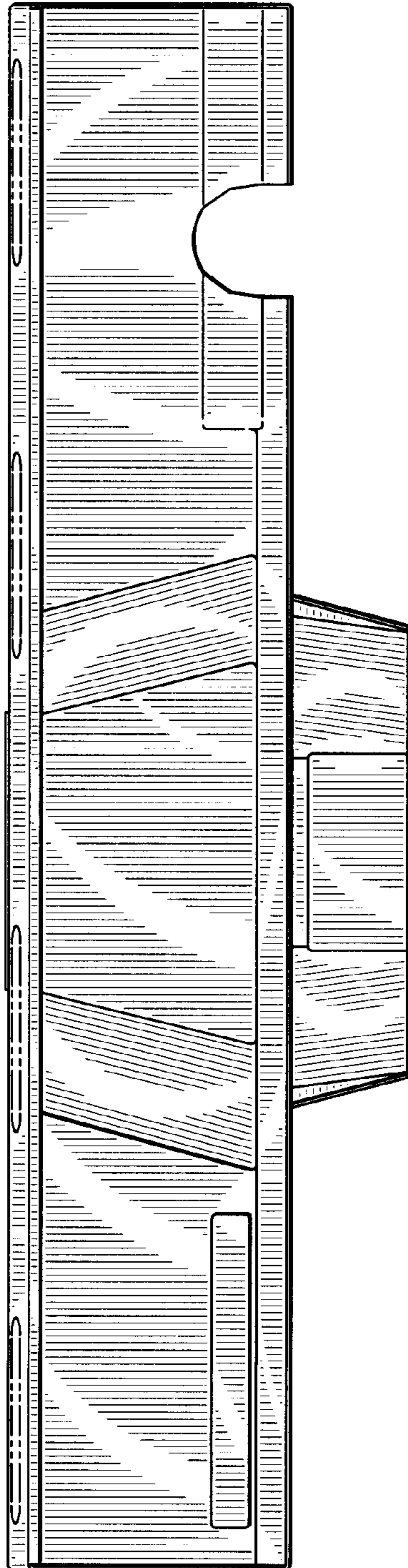


FIG. 6

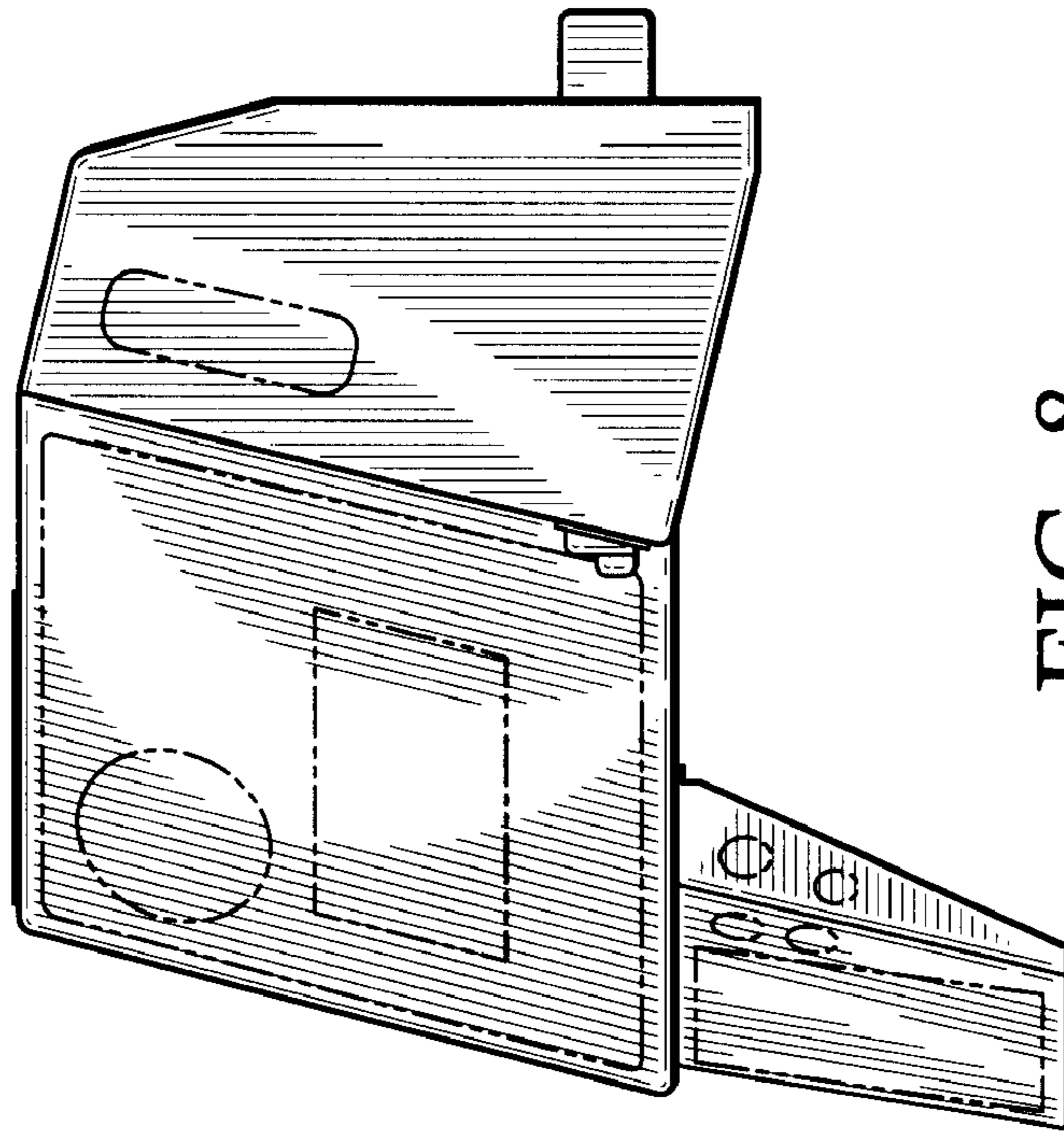


FIG. 8

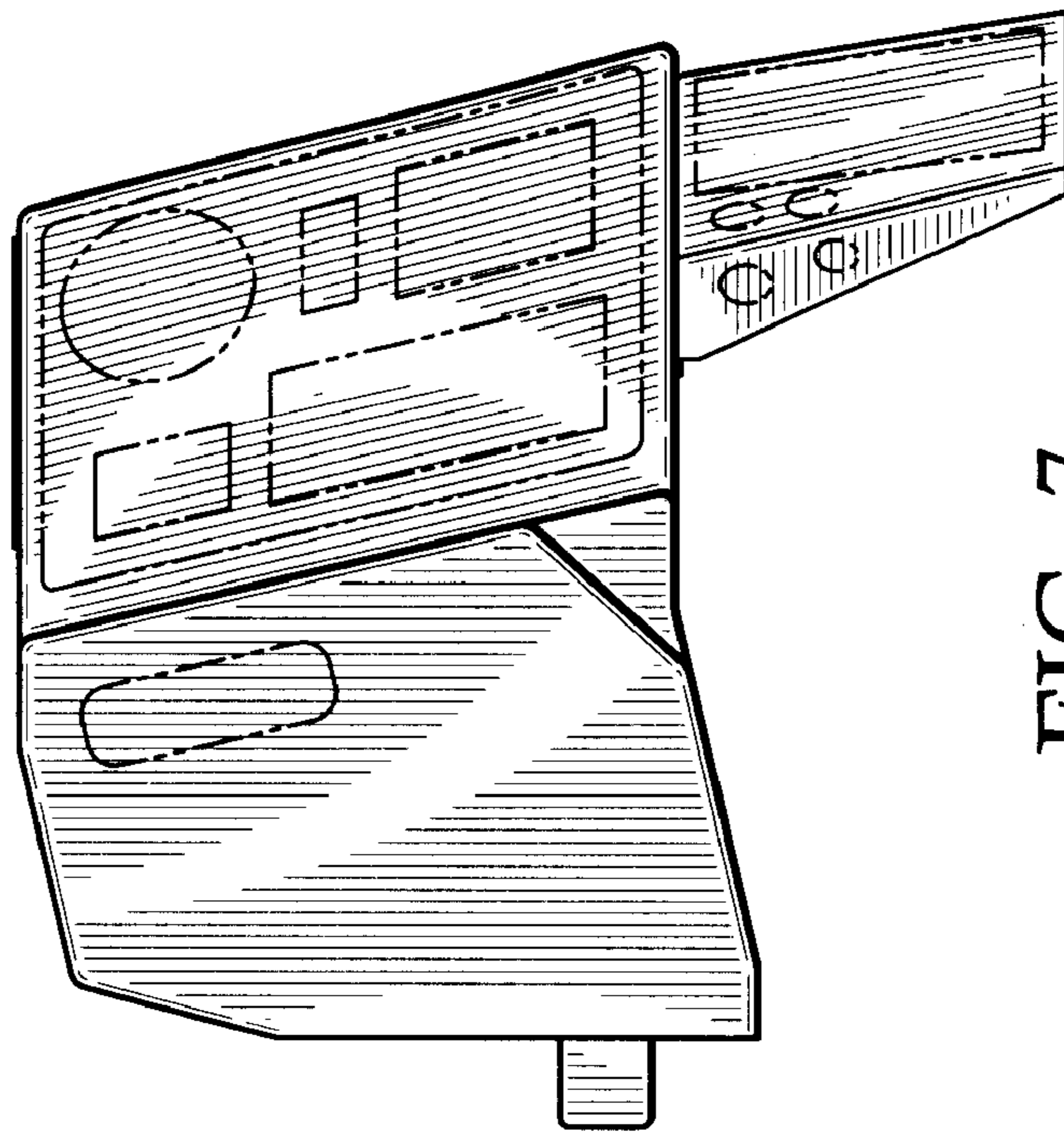


FIG. 7

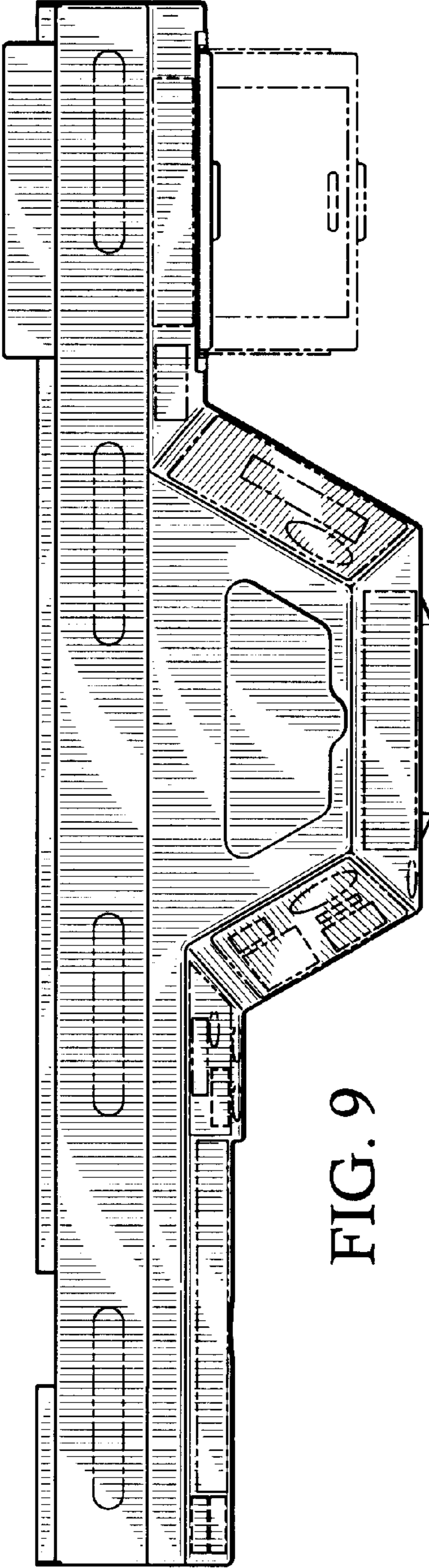


FIG. 9

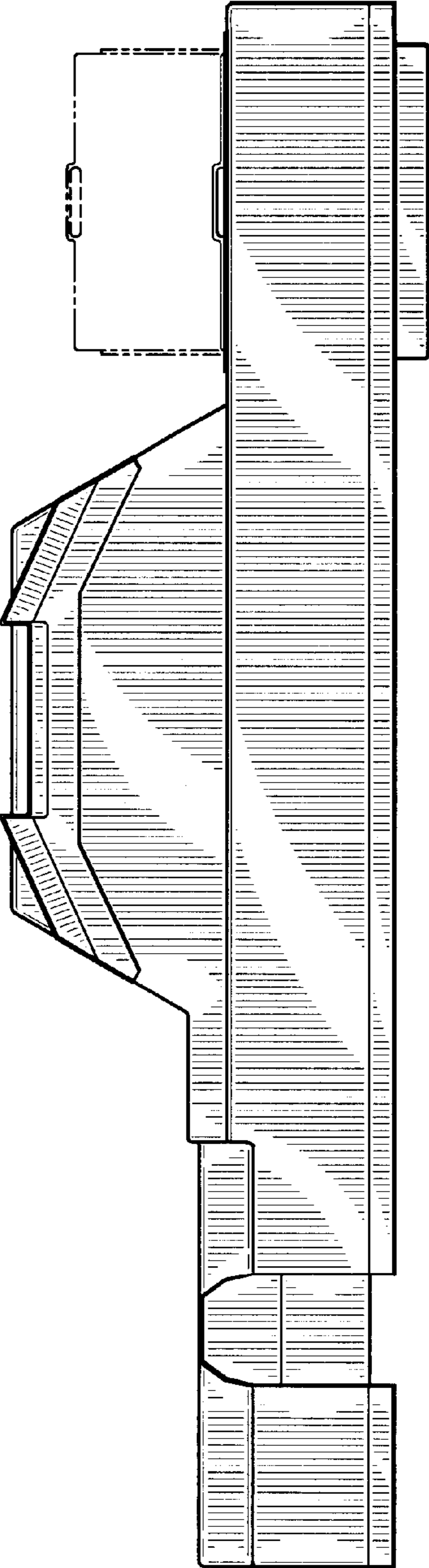


FIG. 10