



US00D534467S

(12) **United States Design Patent**  
**Pfeiffer**

(10) **Patent No.:** **US D534,467 S**

(45) **Date of Patent:** **\*\* Jan. 2, 2007**

(54) **SURFACE CONFIGURATION OF A DASHBOARD FOR A VEHICLE**

(75) Inventor: **Peter Pfeiffer**, Boeblingen (DE)

(73) Assignee: **DaimlerChrysler AG**, Stuttgart (DE)

(\*\*) Term: **14 Years**

(21) Appl. No.: **29/225,371**

(22) Filed: **Mar. 16, 2005**

(30) **Foreign Application Priority Data**

Sep. 17, 2004 (DE) ..... 40405306

(51) **LOC (8) Cl.** ..... **12-16**

(52) **U.S. Cl.** ..... **D12/192**

(58) **Field of Classification Search** ..... D12/192;  
180/90; 280/750-752; D10/46, 102, 98, 122-127;  
D15/17, 28; 296/190.01-191, 70  
See application file for complete search history.

(56) **References Cited**

**U.S. PATENT DOCUMENTS**

D389,798 S	*	1/1998	Ma et al. ....	D12/192
D403,641 S	*	1/1999	Sacco et al. ....	D12/192
D419,936 S	*	2/2000	Sacco et al. ....	D12/192
D423,434 S	*	4/2000	Yano et al. ....	D12/192
D439,211 S	*	3/2001	Pfeiffer ....	D12/192
D440,193 S	*	4/2001	Pfeiffer ....	D12/192
D469,391 S	*	1/2003	Pfeiffer et al. ....	D12/192
D470,809 S	*	2/2003	Asahi et al. ....	D12/192
D489,301 S	*	5/2004	Okonkwo ....	D12/192
D492,631 S	*	7/2004	Pfeiffer et al. ....	D12/192
D492,632 S	*	7/2004	Pfeiffer ....	D12/192

D493,757 S	*	8/2004	Pfeiffer ....	D12/192
D494,907 S	*	8/2004	Pfeiffer ....	D12/192
D501,811 S	*	2/2005	Fukuda et al. ....	D12/192
D504,369 S	*	4/2005	Pfeiffer ....	D12/192
D512,005 S	*	11/2005	Seidel et al. ....	D12/192

\* cited by examiner

*Primary Examiner*—Stacia Cadmus

(74) *Attorney, Agent, or Firm*—Crowell & Moring LLP

(57) **CLAIM**

The ornamental design for a surface configuration of a dashboard for a vehicle, as shown and described.

**DESCRIPTION**

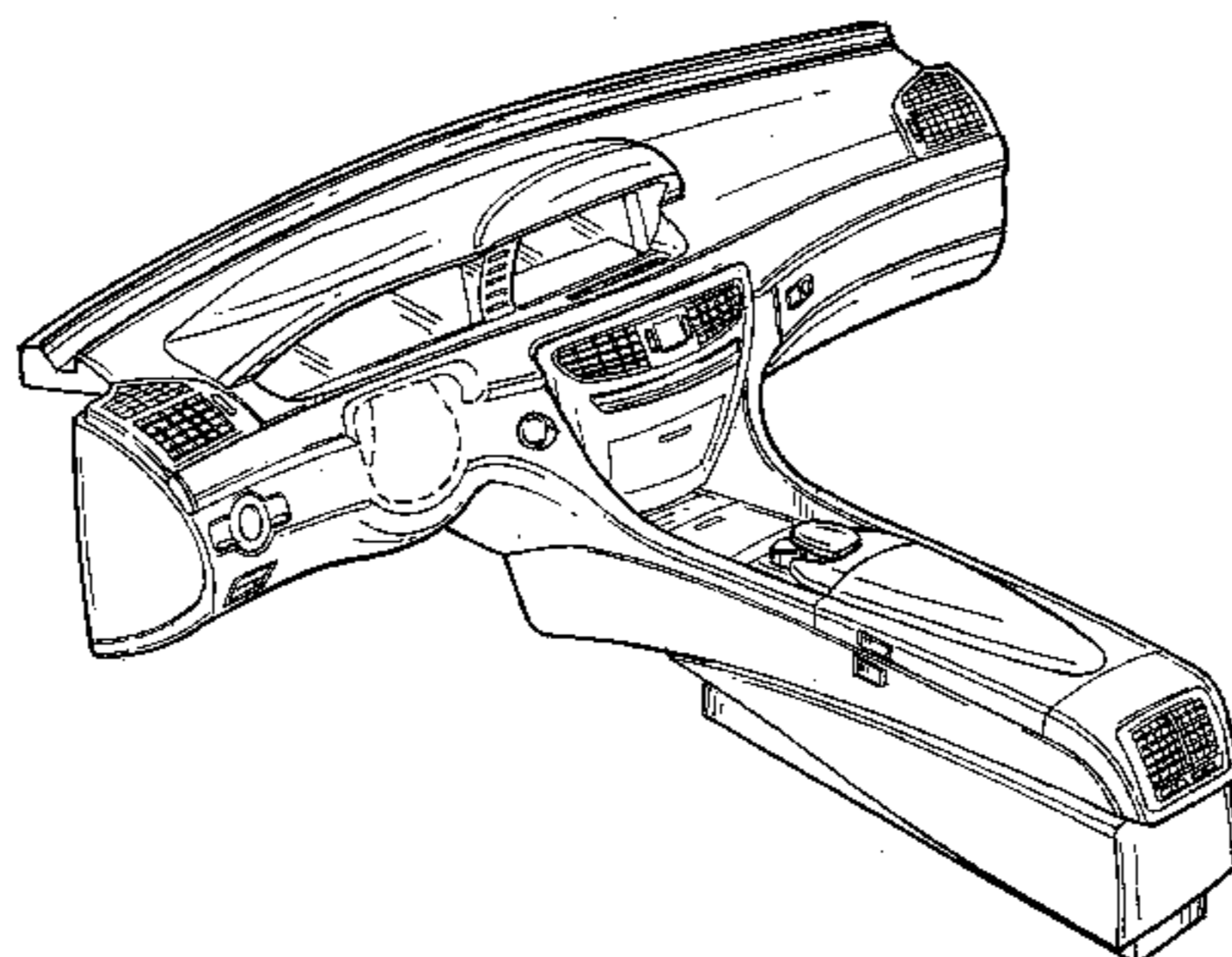
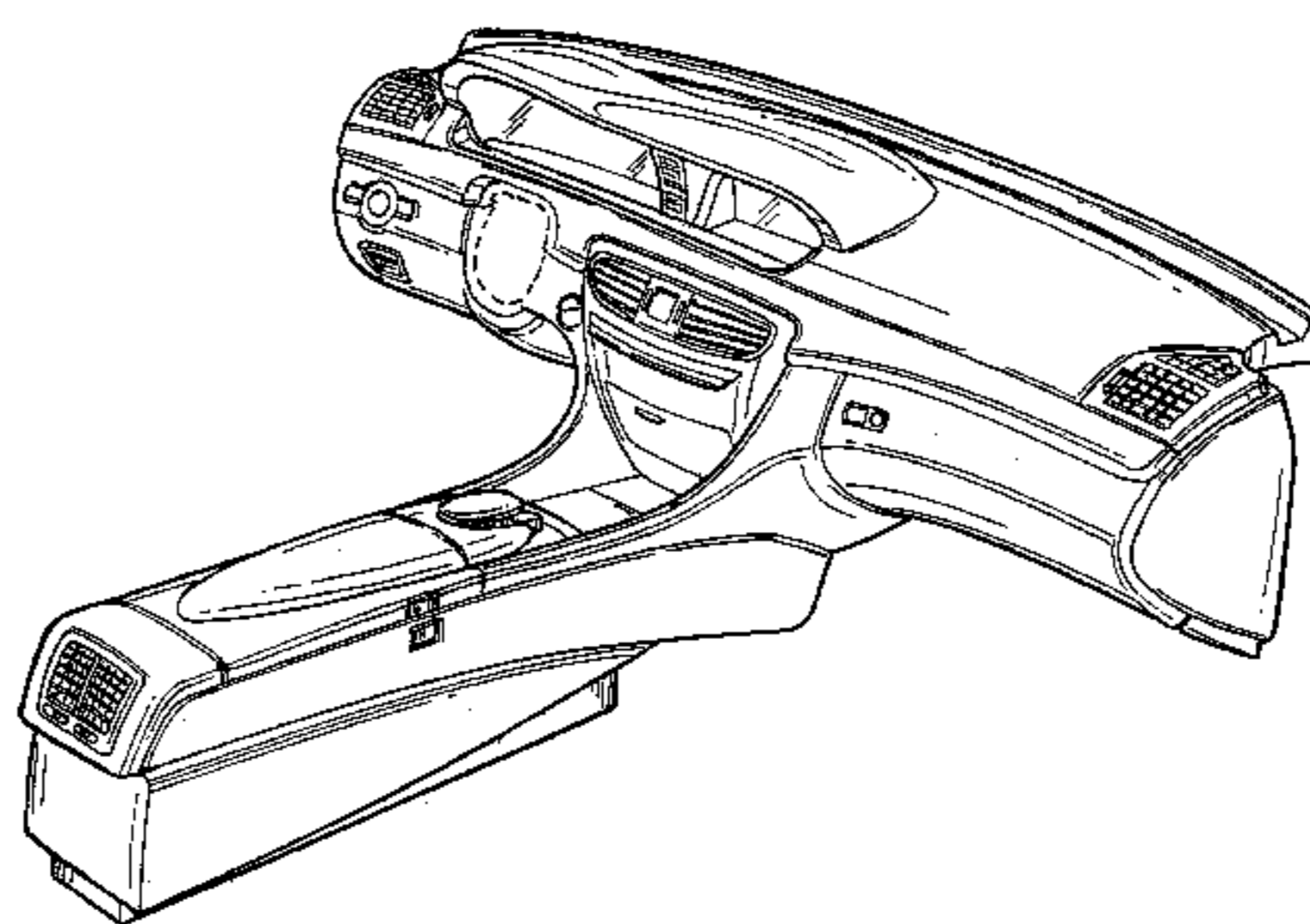
This application is related to the following co-pending application, of the inventor, filed on even date herewith: Application Ser. No. 29/225,372, entitled "Surface Configuration of a Portion of a Dashboard for a Vehicle".

FIG. 1 is a front view of a surface configuration of a dashboard for a vehicle according to my novel design; FIG. 2 is a right perspective view of the surface configuration of a dashboard for a vehicle according to my novel design;

FIG. 3 is a left perspective view of the surface configuration of a dashboard for a vehicle according to my novel design; FIG. 4 is an elevated right perspective view of the surface configuration of a dashboard for a vehicle according to my novel design; and,

FIG. 5 is an elevated left perspective view of the surface configuration of a dashboard for a vehicle according to my novel design.

**1 Claim, 5 Drawing Sheets**



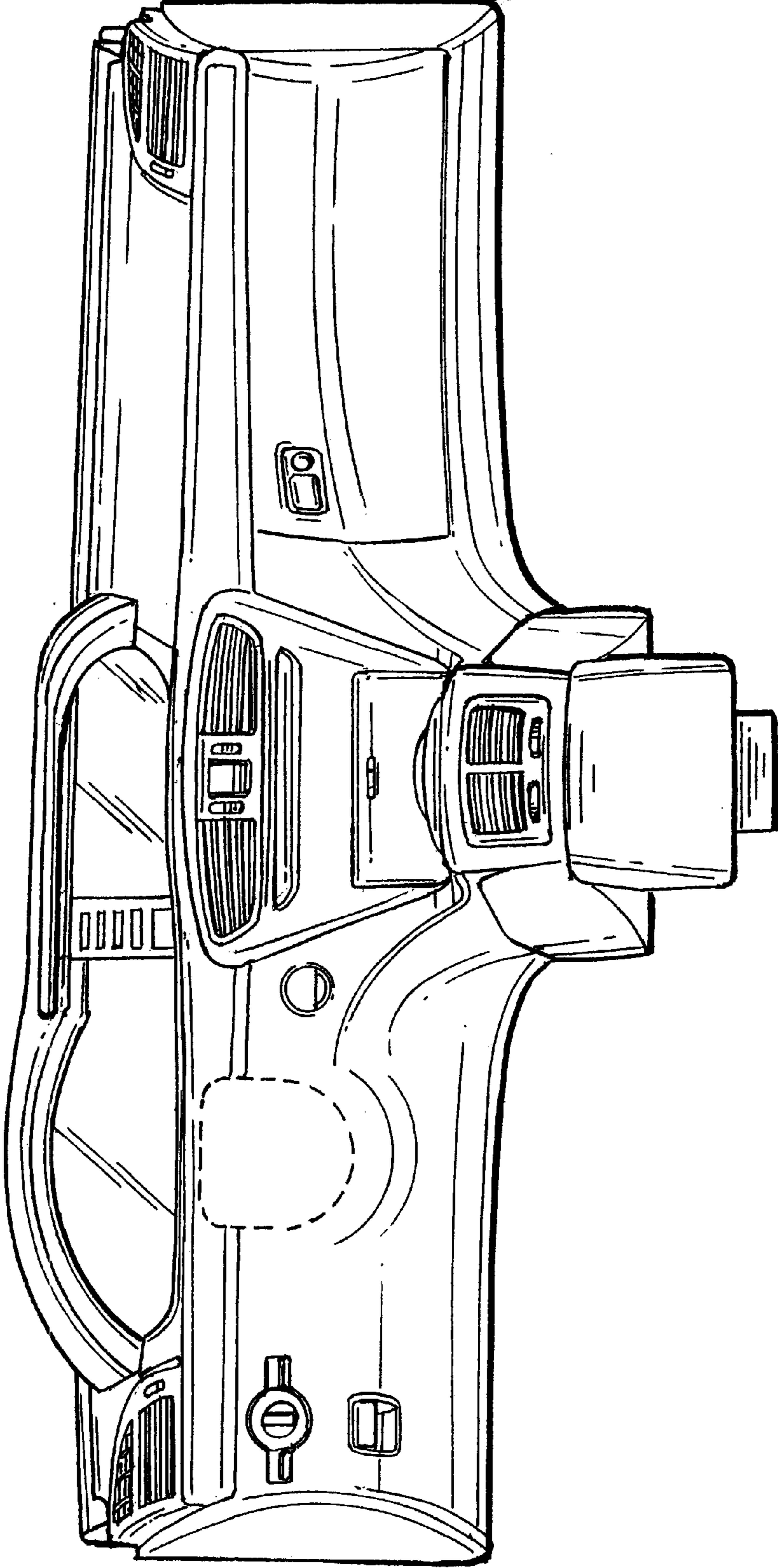


FIG. 1

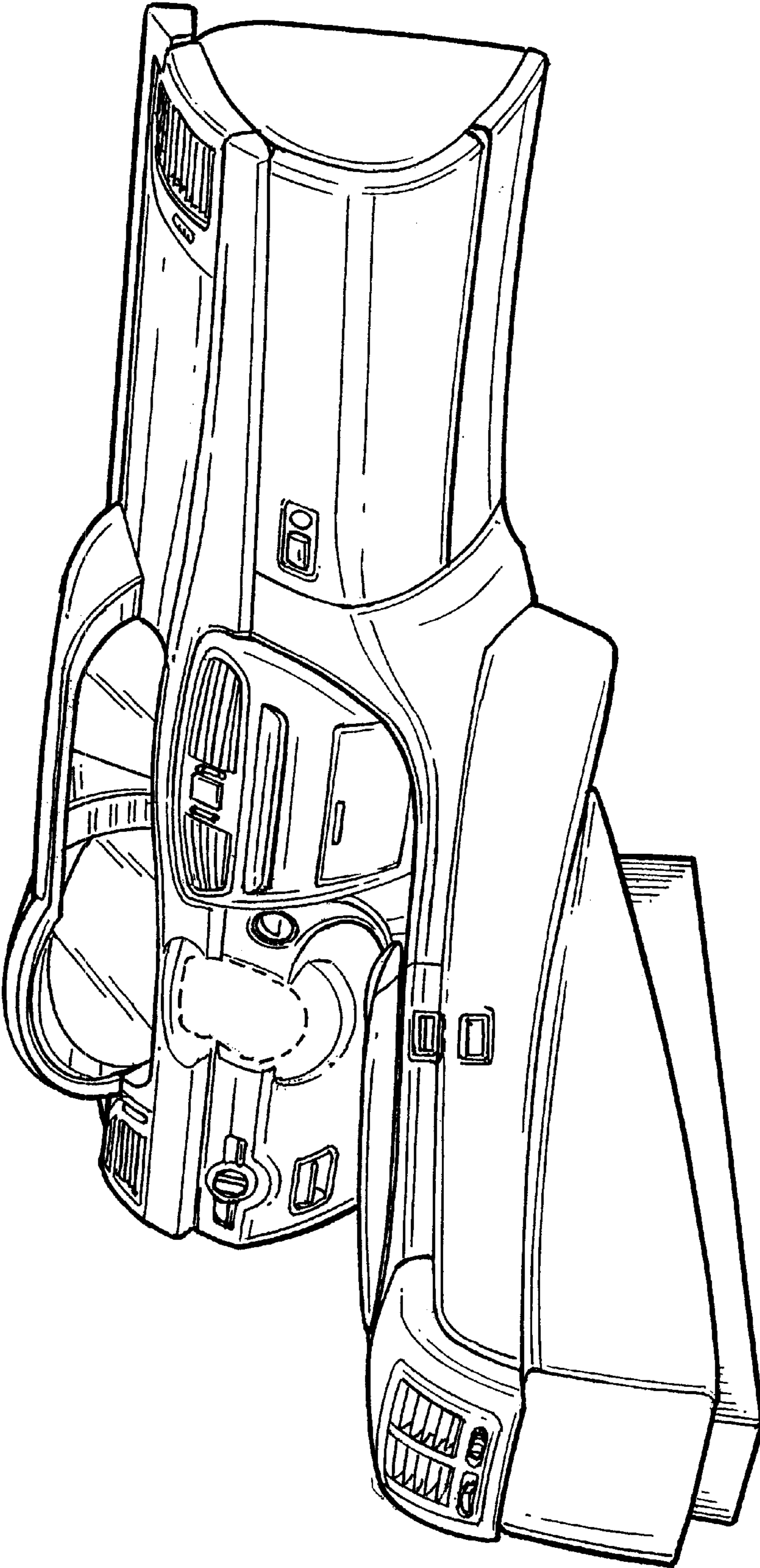


FIG. 2

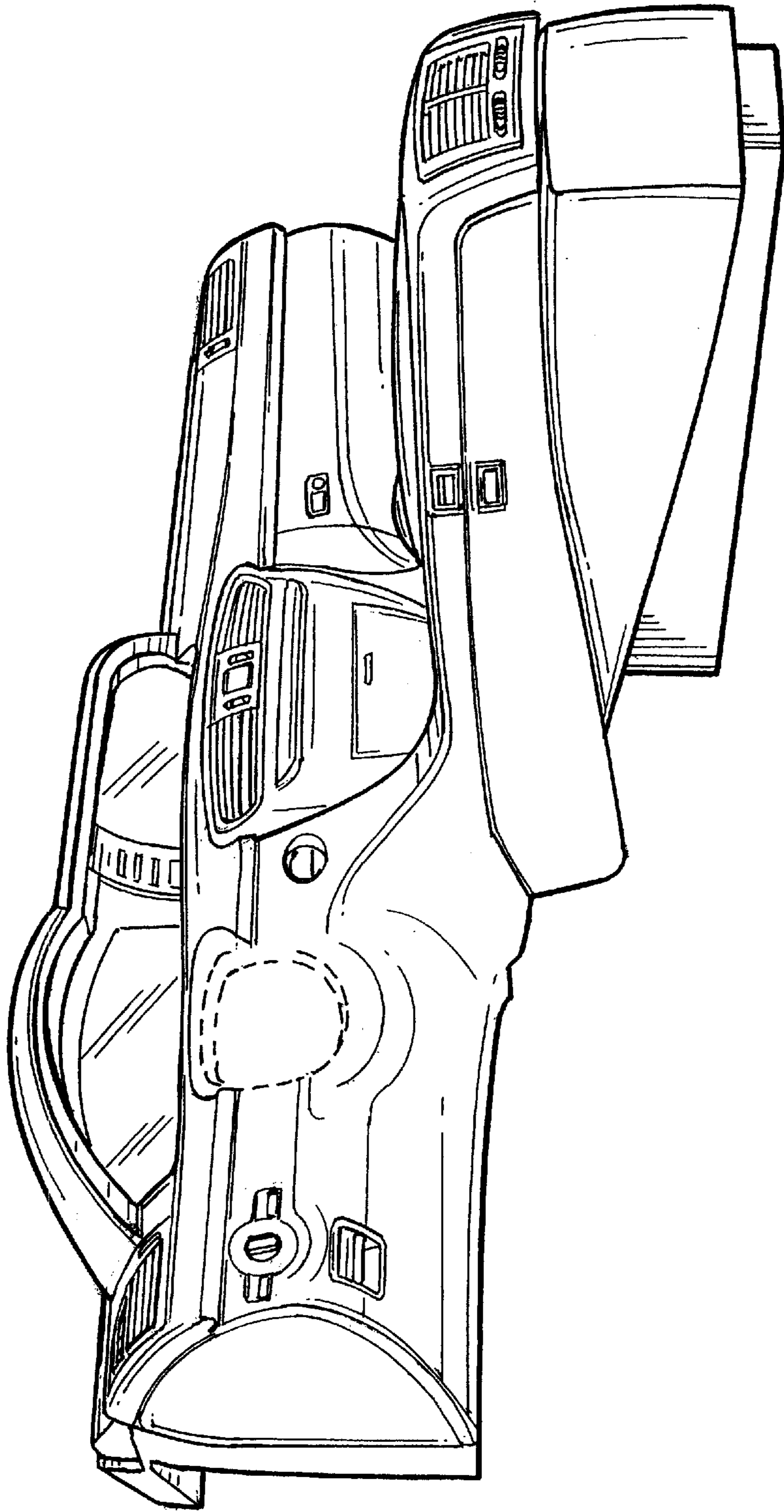


FIG. 3

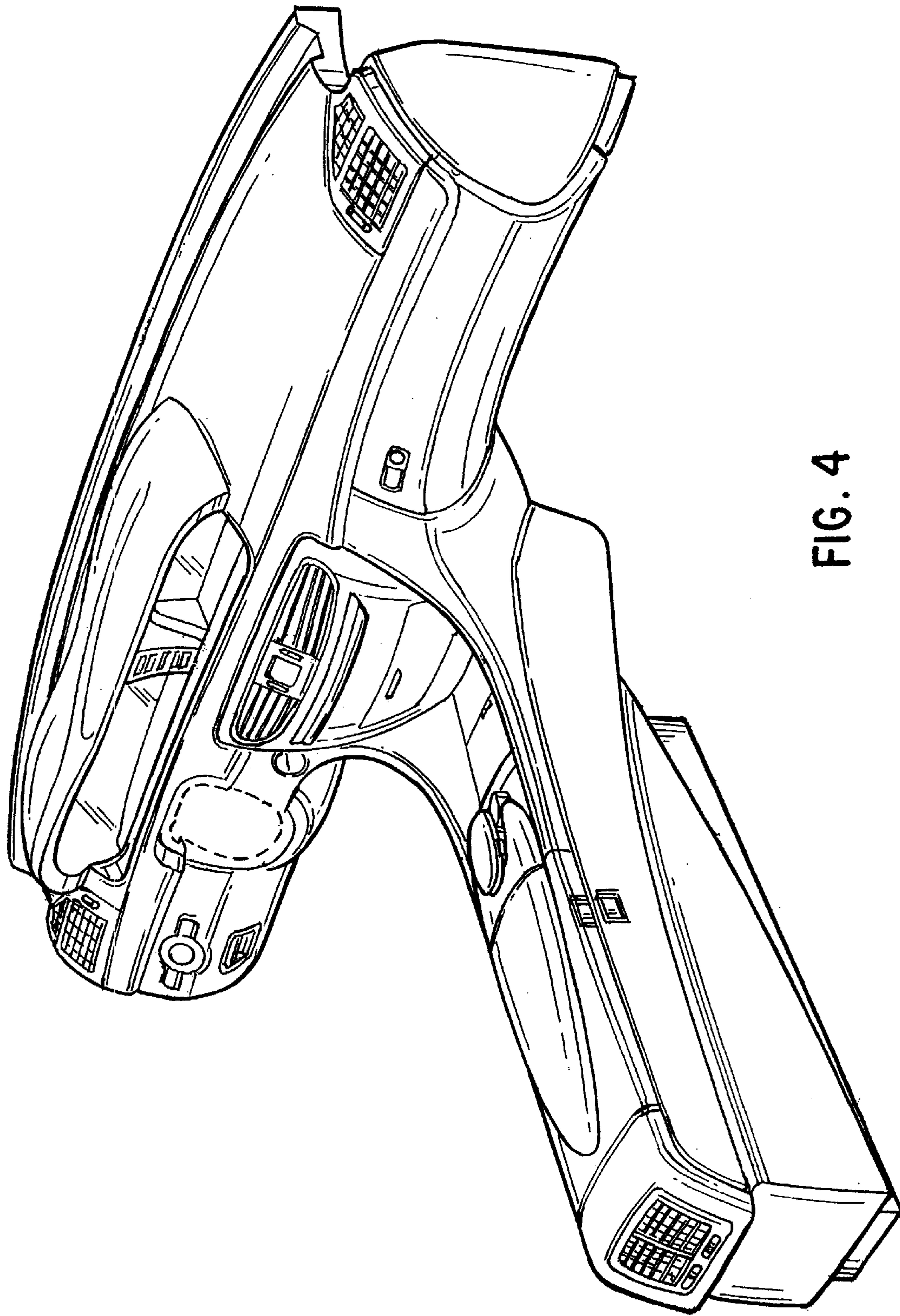


FIG. 4

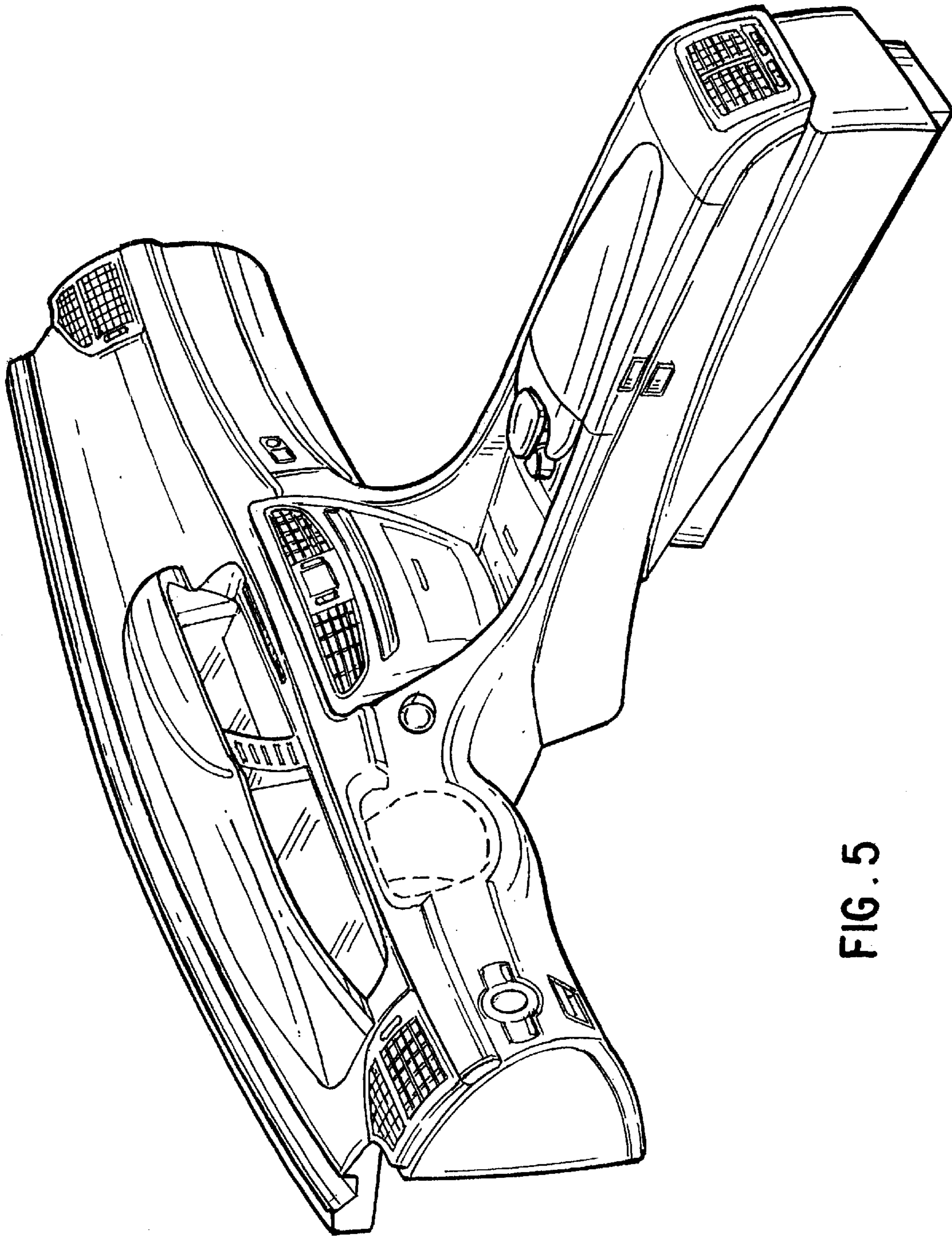


FIG. 5