



US00D534461S

(12) **United States Design Patent**
Mahoney et al.

(10) **Patent No.:** **US D534,461 S**
(45) **Date of Patent:** **** Jan. 2, 2007**

(54) **VEHICLE GRILLE**

(75) Inventors: **David Mahoney**, Orchard Lake, MI (US); **Patrick Quinn**, White Lake, MI (US)

(73) Assignee: **Ford Global Technologies, LLC**, Dearborn, MI (US)

(**) **Term:** **14 Years**

(21) **Appl. No.:** **29/243,883**

(22) **Filed:** **Dec. 1, 2005**

(51) **LOC (8) Cl.** **12-16**

(52) **U.S. Cl.** **D12/163**

(58) **Field of Classification Search** D12/163,
D12/171, 90-92, 216, 169, 196; 180/68.1,
180/68.6; 296/193.11; 293/102, 113, 115

See application file for complete search history.

(56) **References Cited**

U.S. PATENT DOCUMENTS

D474,428 S * 5/2003 Hill et al. D12/163
D506,167 S * 6/2005 Wu D12/163

OTHER PUBLICATIONS

The Wall Street Journal, Feb. 4, 2004.

Mercury Meta One Concept Bows in Detroit, TheCarConnection.com, Nov. 11, 2004, <http://www.thecarconnection.com/index.asp?article=7738&sid=173&n=156>.

New concept to be unveiled in Detroit, Auto Spies, Nov. 11, 2004, <http://www.autospies.com/article/index.asp?articleId=3604>.

Mercury Meta One concept will debut at the North American International Auto Show in January, Auto Spectator, Nov. 12, 2004, <http://www.autospectator.com/modules/news/article.php?storyid=487>.

Chicago Ford plant to add Mercury crossover, Chicago Tribune (KRTBN), Nov. 12, 2004.

Torrence plant to add Mercury crossover, Chicago Tribune, Nov. 12, 2004.

Mercury crosses over, Automotive News, Nov. 15, 2004, <http://www.autonews.com/article.cms?articleId=50644>.

Flash, AutoWeek, Nov. 22, 2004.

Mercury SRX . . . I mean Meta One concept by Walter J Keegan Jr., AutoBlog, Dec. 27, 2004, <http://www.autoblog.com/entry/1234000820025039/>.

Mercury to introduce Meta One concept at NAIAS, AutoBlog, Dec. 27, 2004, <http://spyphotos.autoblog.com/entry/0017025367179892/>.

Ford concept pairs electric, diesel, Detroit News Online, Dec. 26, 2004, <http://www.detnews.com/2004/autosinsider/0412/28/B01-41965.htm>.

Mercury Meta One Concept Advances Ford Safety Technology, WorldCarFans.com, Dec. 28, 2004, <http://www.worldcarfans.com/news.cfm/newsid/2041228.001>.

Flash, AutoWeek, Jan. 3, 2005.

(Continued)

Primary Examiner—Melody N. Brown

(74) *Attorney, Agent, or Firm*—Damian Porcari

(57) **CLAIM**

The ornamental design for a vehicle grille, as shown and described.

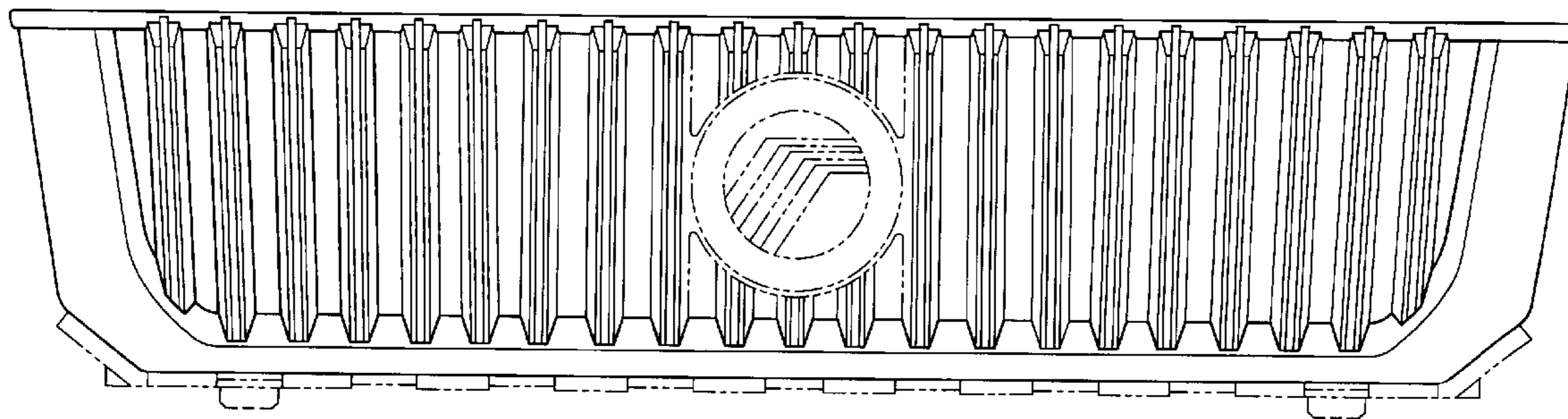
DESCRIPTION

FIG. 1 is a front elevational view of the vehicle grille; FIG. 2 is a top plan view of the vehicle grille; and, FIG. 3 is a left side elevational view of the vehicle grille (the right side view is a mirror of the left side view and is not shown).

The broken lines are for illustrative purposes only and form no part of the claimed design.

The vehicle grille is designed to blend with surfaces of adjacent vehicle panels. To the extent that any feature lines are illustrated, they are intended to illustrate the crest and valley of the feature and are not necessarily sharp bends in the part. Shading is used to illustrate the curvature of the part and not color.

1 Claim, 3 Drawing Sheets-



OTHER PUBLICATIONS

Detroit Spy, Popular Mechanics Online, Jan. 3, 2005, http://www.popularmechanics.com/automotive/spy_reports/1318501.html.

Machine Design, Mercury Meta One, Apr. 1, 2005.

Mercury Meta One, Motorshow, Jan. 7, 2005, <http://www.channel4.com/4car/feature/motorshows/la2005/mercury-meta-one.html>.

Future Shocks, Chicago Sun-Times, Feb. 10, 2005.

50 'green' models could be on way, The Globe and Mail, Feb. 24, 2005.

Ampersand, Car and Driver Online, Apr. 1, 2005, http://www.roadandtrack.com/article.asp?section_id=12&article_id=2071&page_number=4.

2 cents a magnet for monikers, Chicago Tribune, Apr. 10, 2005.

Future Cars: Ford/PAG/Mazda, TheCarConnection.com, May 16, 2005, http://www.thecarconnection.com/Shoppers/Future_Cars/Ford.S283.A8367.html.

Five Fords in Your Future, Edmunds.com, Jun. 6, 2005, <http://www.edmunds.com/insideline/do/Articles/articleId=105932>.

Mercury Mixes It Up, Forbes Online, Jun. 28, 2005, http://www.forbes.com/vehicles/2005/06/28/ford-mercury-cross-overs-cx_dl_0628vow.html.

* cited by examiner

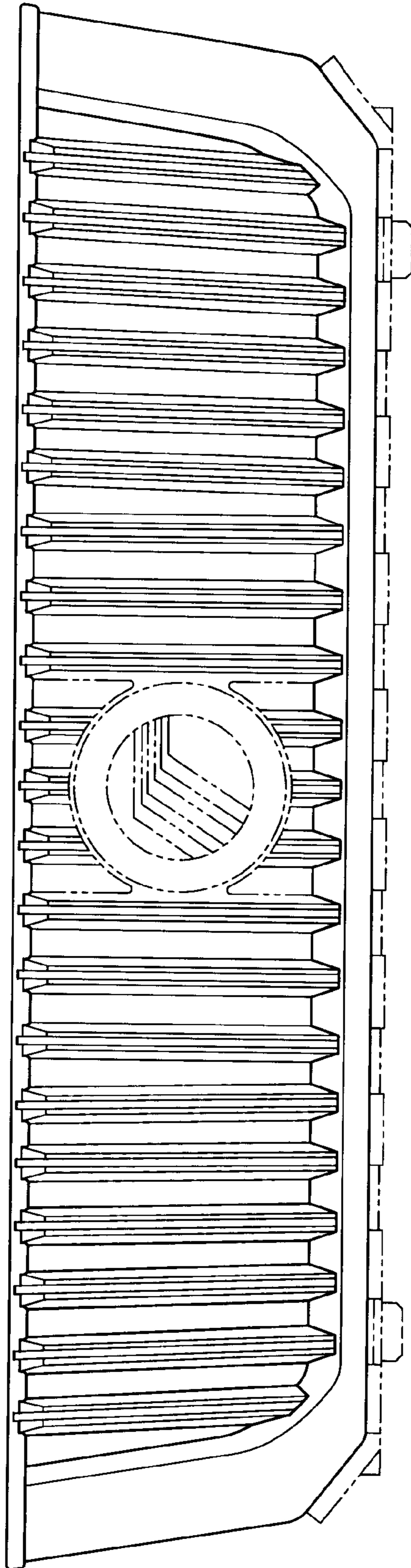


Fig-1

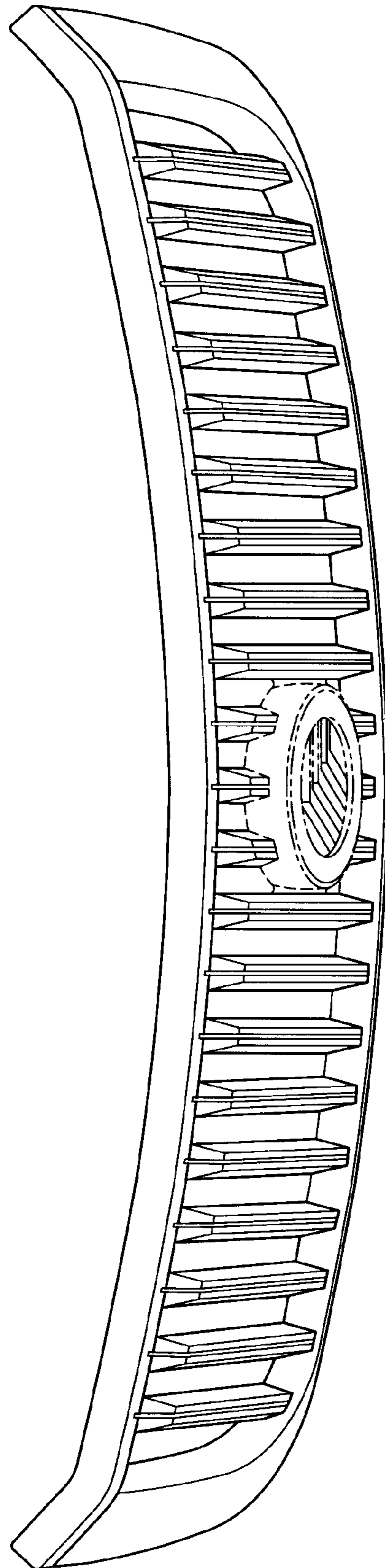


Fig-2

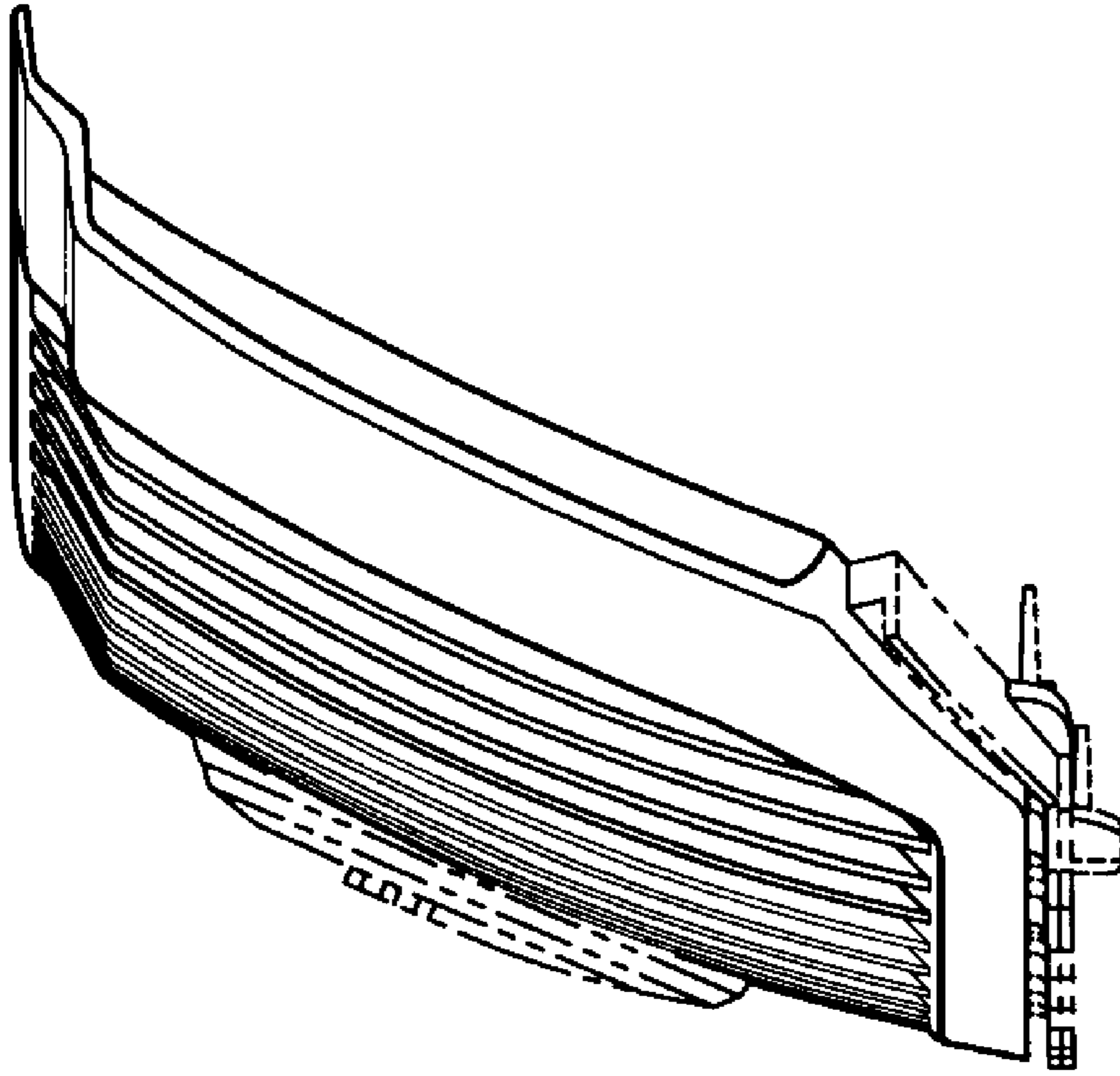


Fig-3