

US00D534459S

(12) **United States Design Patent**  
**Kim et al.**

(10) **Patent No.:** **US D534,459 S**

(45) **Date of Patent:** **\*\* Jan. 2, 2007**

(54) **AUTOMOBILE BODY**

D515,972 S \* 2/2006 Ikeda et al. .... D12/91

(75) Inventors: **Mark Kim**, Santa Ana, CA (US);  
**Robert Burns**, Long Beach, CA (US);  
**Brent Wickham**, Anaheim, CA (US)

\* cited by examiner

*Primary Examiner*—Melody N. Brown  
(74) *Attorney, Agent, or Firm*—Birch, Stewart, Kolasch & Birch, LLP

(73) Assignee: **Mitsubishi Jidosha Kogyo Kabushiki Kaisha**, Tokyo (JP)

(57) **CLAIM**

(\*\*) Term: **14 Years**

The ornamental design for an automobile body, as shown and described.

(21) Appl. No.: **29/245,639**

**DESCRIPTION**

(22) Filed: **Dec. 28, 2005**

(51) **LOC (8) Cl.** ..... **12-08**

(52) **U.S. Cl.** ..... **D12/91**

(58) **Field of Classification Search** ..... D12/90–92,  
D12/86, 88; D21/424, 433; 296/181.1, 181.5  
See application file for complete search history.

FIG. 1 is a perspective view of the front, right, and top of an automobile body showing our new design;  
FIG. 2 is a perspective view of the rear, right, and top thereof;  
FIG. 3 is a front view thereof;  
FIG. 4 is a rear view thereof;  
FIG. 5 is a right side view thereof; and,  
FIG. 6 is a top plan view thereof.

(56) **References Cited**

**U.S. PATENT DOCUMENTS**

- D476,269 S \* 6/2003 Suzuki et al. .... D12/91
- D490,019 S \* 5/2004 Sakae ..... D12/91
- D497,840 S \* 11/2004 Egger ..... D12/91
- D499,356 S \* 12/2004 Minami et al. .... D12/91
- D504,639 S \* 5/2005 Oishi et al. .... D12/91
- D505,097 S \* 5/2005 Rodriguez ..... D12/91

The elements shown in broken lines are for illustrative purposes only and form no part of the claimed design.  
A left side view is omitted since the left side view is substantially symmetrical to the right side view shown in FIG. 5.

**1 Claim, 3 Drawing Sheets**

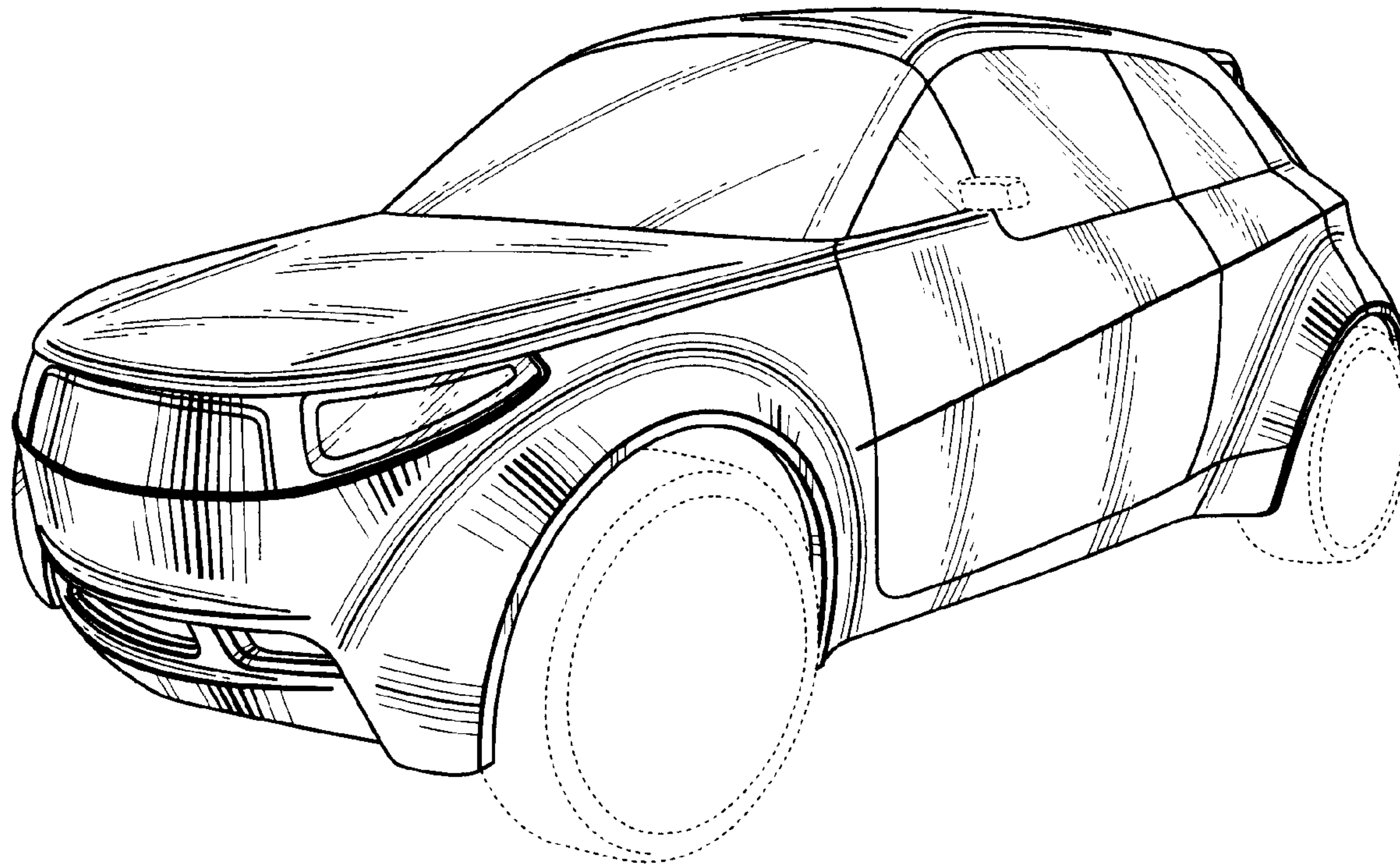


FIG. 1

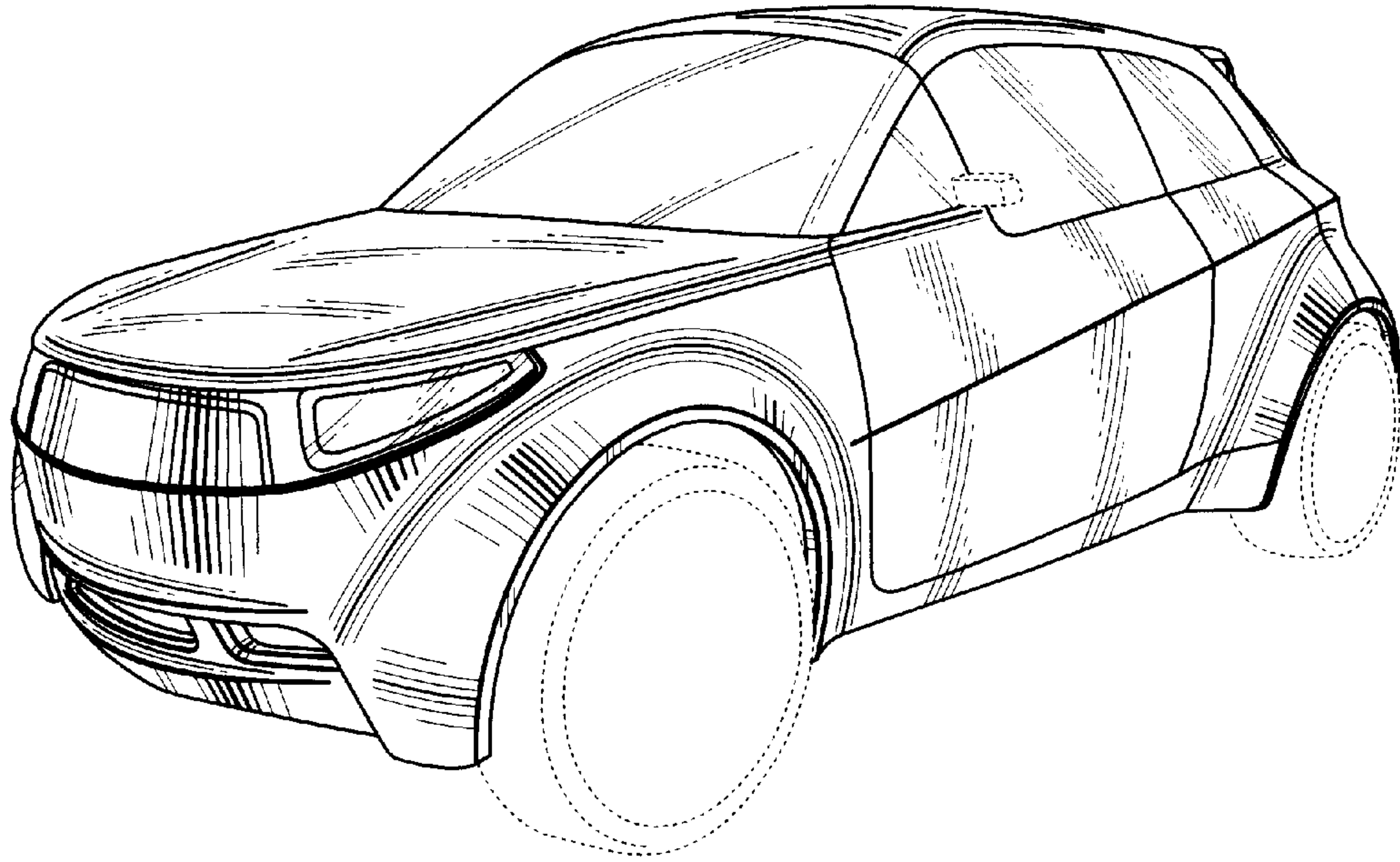


FIG. 2

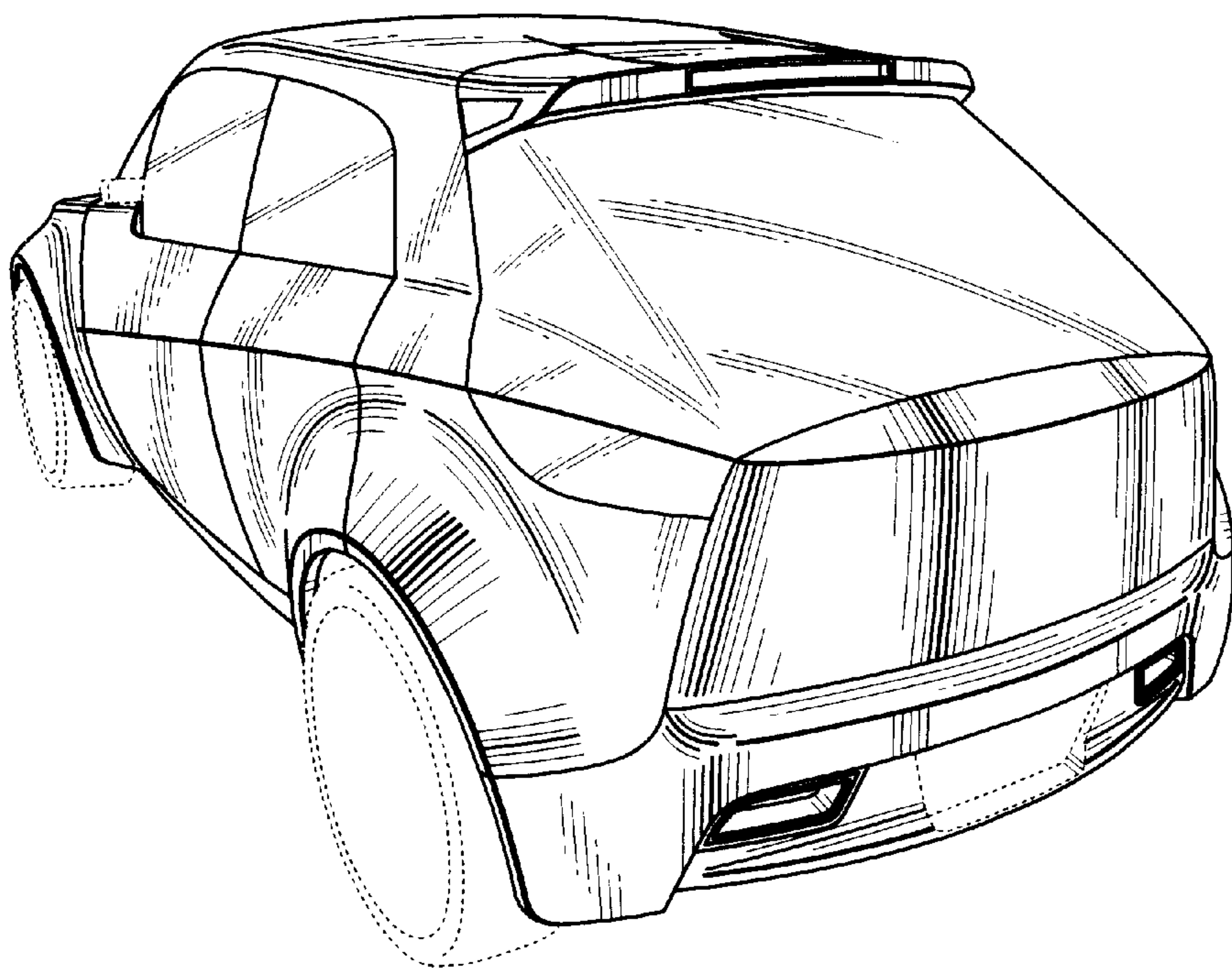


FIG.3

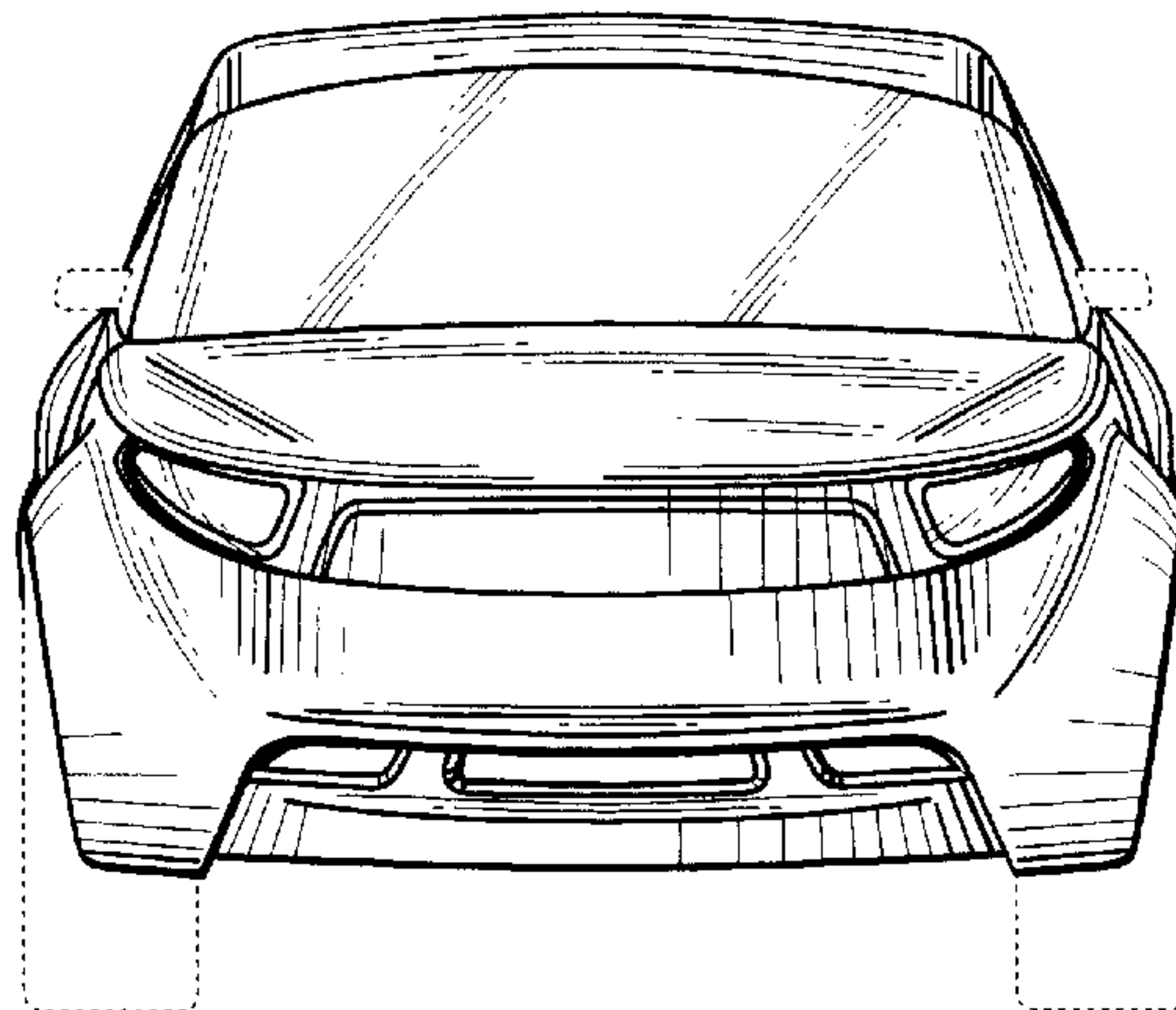


FIG.4

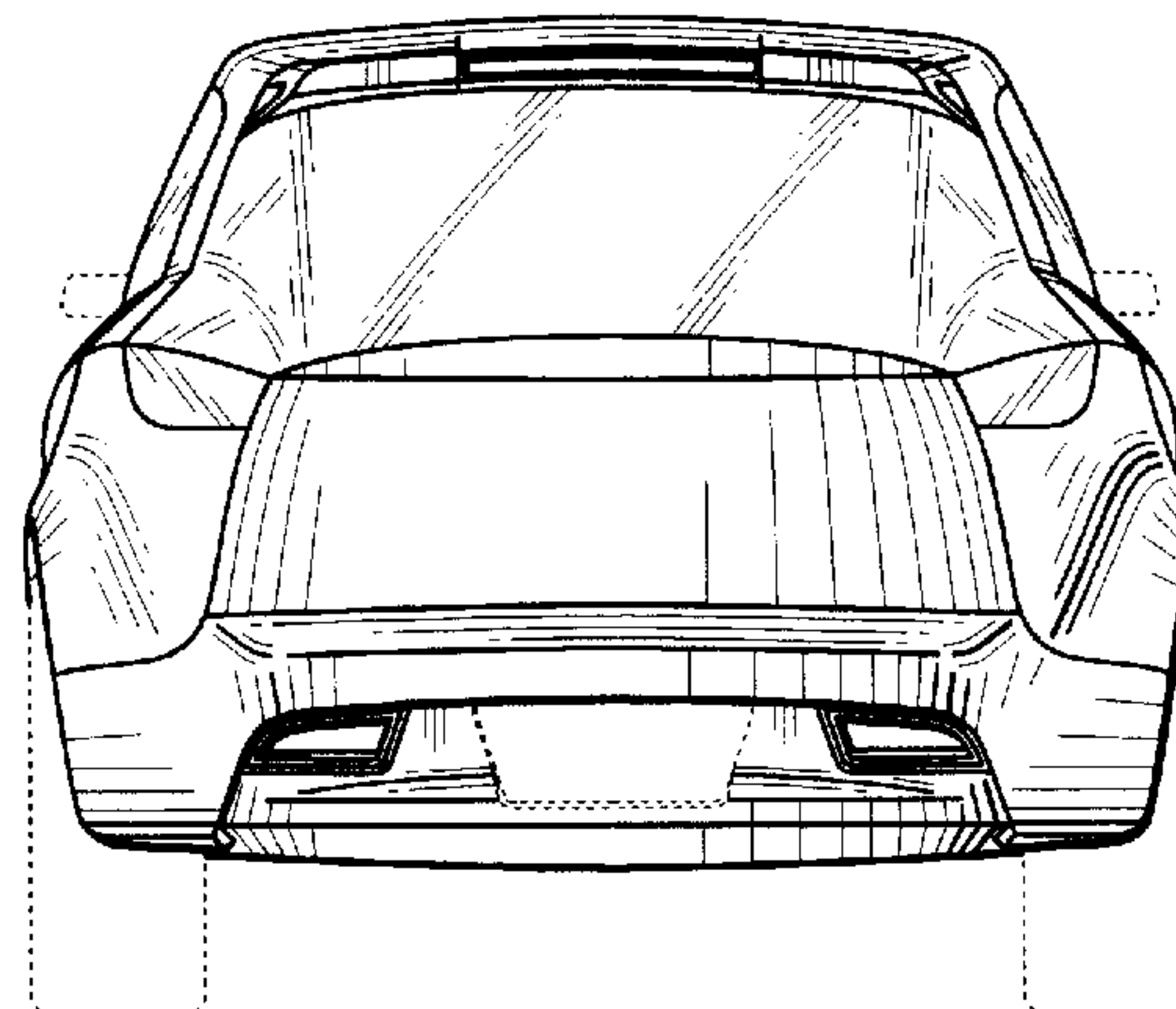


FIG.5

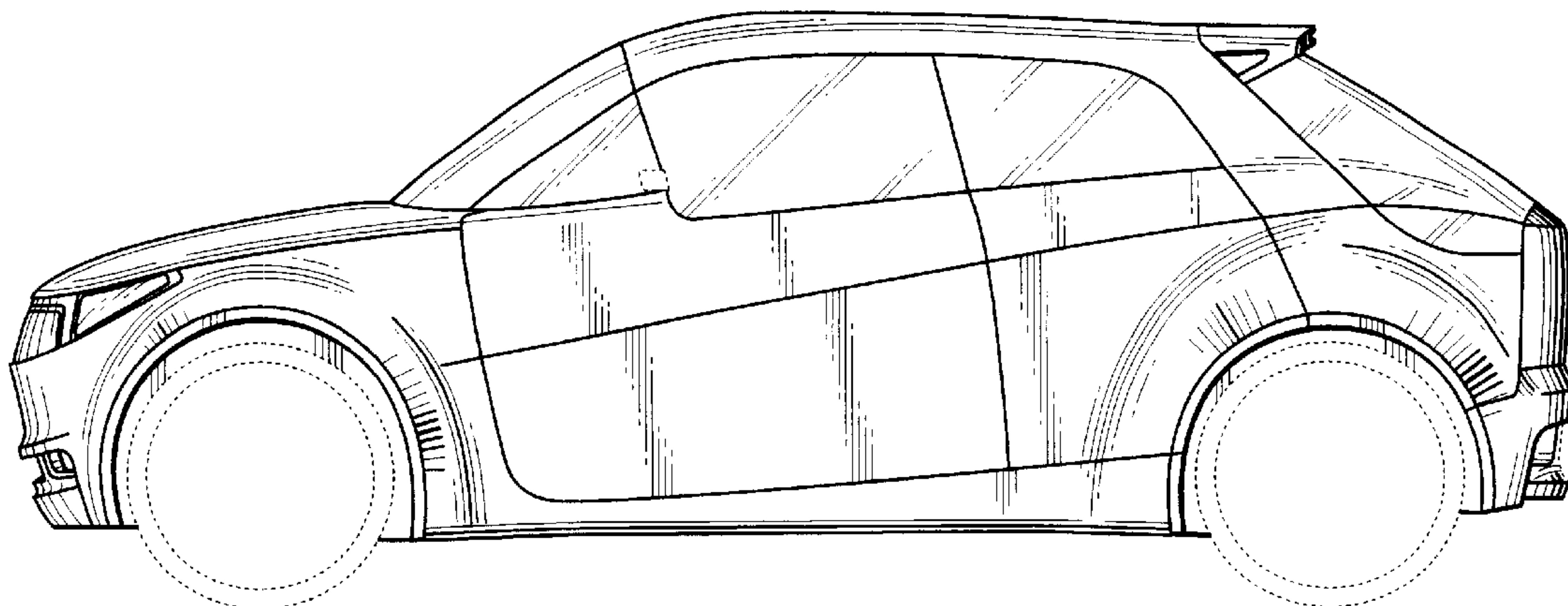




FIG.6

