



US00D534456S

(12) **United States Design Patent** (10) **Patent No.:** **US D534,456 S**
Ilaria et al. (45) **Date of Patent:** **** Jan. 2, 2007**

(54) **STAR RECOGNITION AWARD**

(75) Inventors: **Peter V. Ilaria**, Whippany, NJ (US);
William Macowski, Barnegat Light, NJ (US)

(73) Assignee: **Tropar Manufacturing Co., Inc.**,
Florham Park, NJ (US)

(**) Term: **14 Years**

(21) Appl. No.: **29/235,602**

(22) Filed: **Aug. 3, 2005**

(51) **LOC (8) Cl.** **11-02**

(52) **U.S. Cl.** **D11/157**

(58) **Field of Classification Search** D11/70,
D11/95, 108, 117-133, 157, 164; 428/7-12,
428/542.2, 542.4, 542.6, 913.3

See application file for complete search history.

(56) **References Cited**

U.S. PATENT DOCUMENTS

D47,483 S	*	6/1915	Burger	D26/11
D147,326 S	*	8/1947	Gargano	D11/70
D157,394 S	*	2/1950	MacCann	D11/108
D185,507 S	*	6/1959	Noble	D5/64
D303,720 S	*	9/1989	Soley	D26/91
D409,113 S	*	5/1999	Tam	D11/164

OTHER PUBLICATIONS

Noble Trophies 1963 Catalog, p. 50: Star 623 trim figure.*
Grand Prix Trophies, Inc. Catalog 20-65, p. 3: trophy
portion with star shape indicated by arrow "V".*

Bowling Awards 2002 Catalog: 1) award with star shown on
cover page, 2) page 7: item Y-205 in upper right corner (star
shaped trophy).*

Seton—Events 2002 Catalog, p. 60: Star Trophy items
50981 & 5982.*

Dinn Bros.—Scholastic 2003 Catalog, p. 22: item E on
lower left.*

* cited by examiner

Primary Examiner—Catherine Tuttle

(74) *Attorney, Agent, or Firm*—Gottlieb, Rackman &
Reisman

(57) **CLAIM**

The ornamental design for a star recognition award, as
shown and described.

DESCRIPTION

FIG. 1 is a front perspective view of a star recognition
award, showing our new design;

FIG. 2 is a top plan view thereof;

FIG. 3 is a front elevational view thereof;

FIG. 4 is a right side elevational view thereof;

FIG. 5 is a left side elevational view thereof

FIG. 6 is a rear elevational view thereof; and,

FIG. 7 is a bottom plan view thereof.

1 Claim, 4 Drawing Sheets

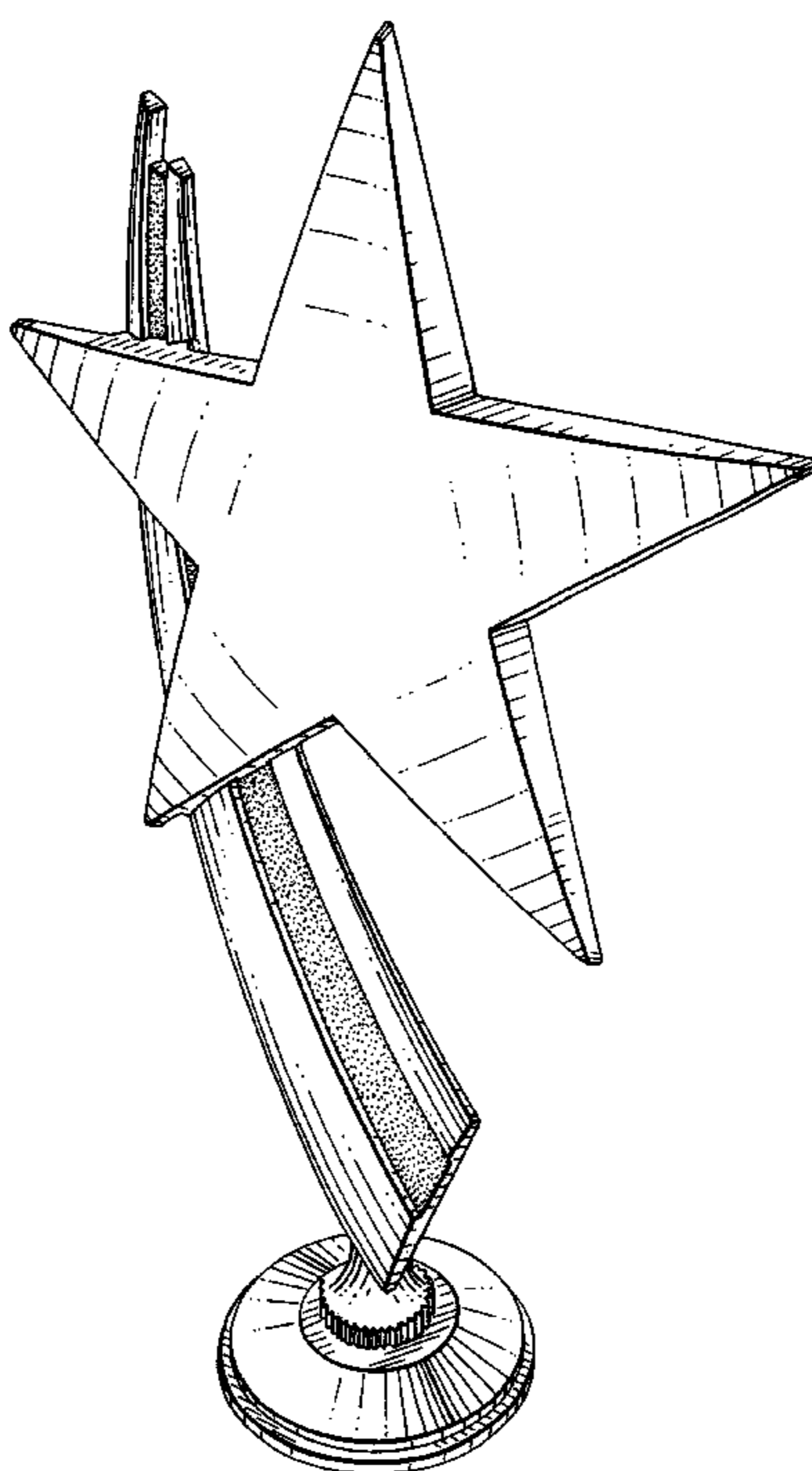
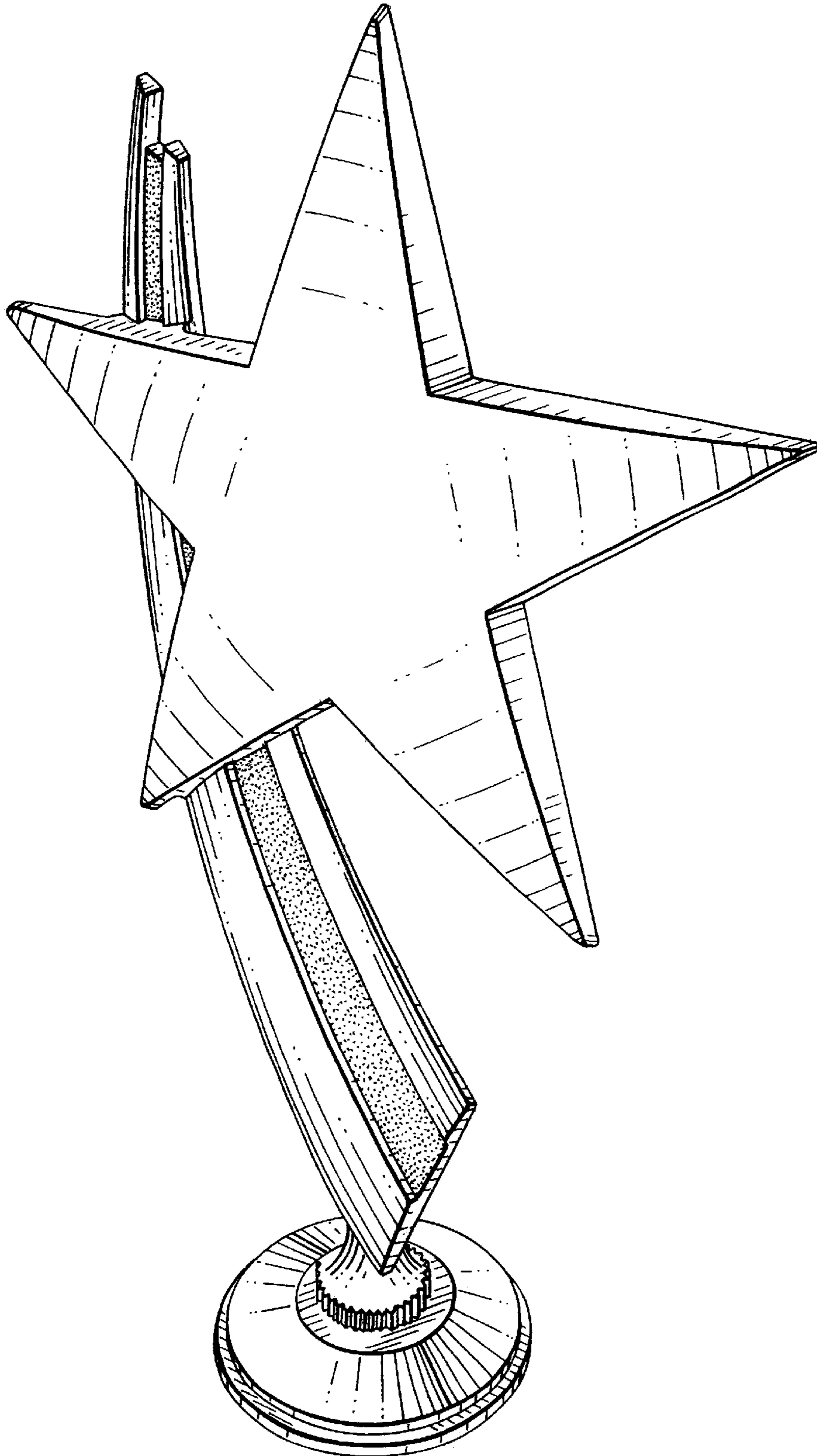


FIG. 1



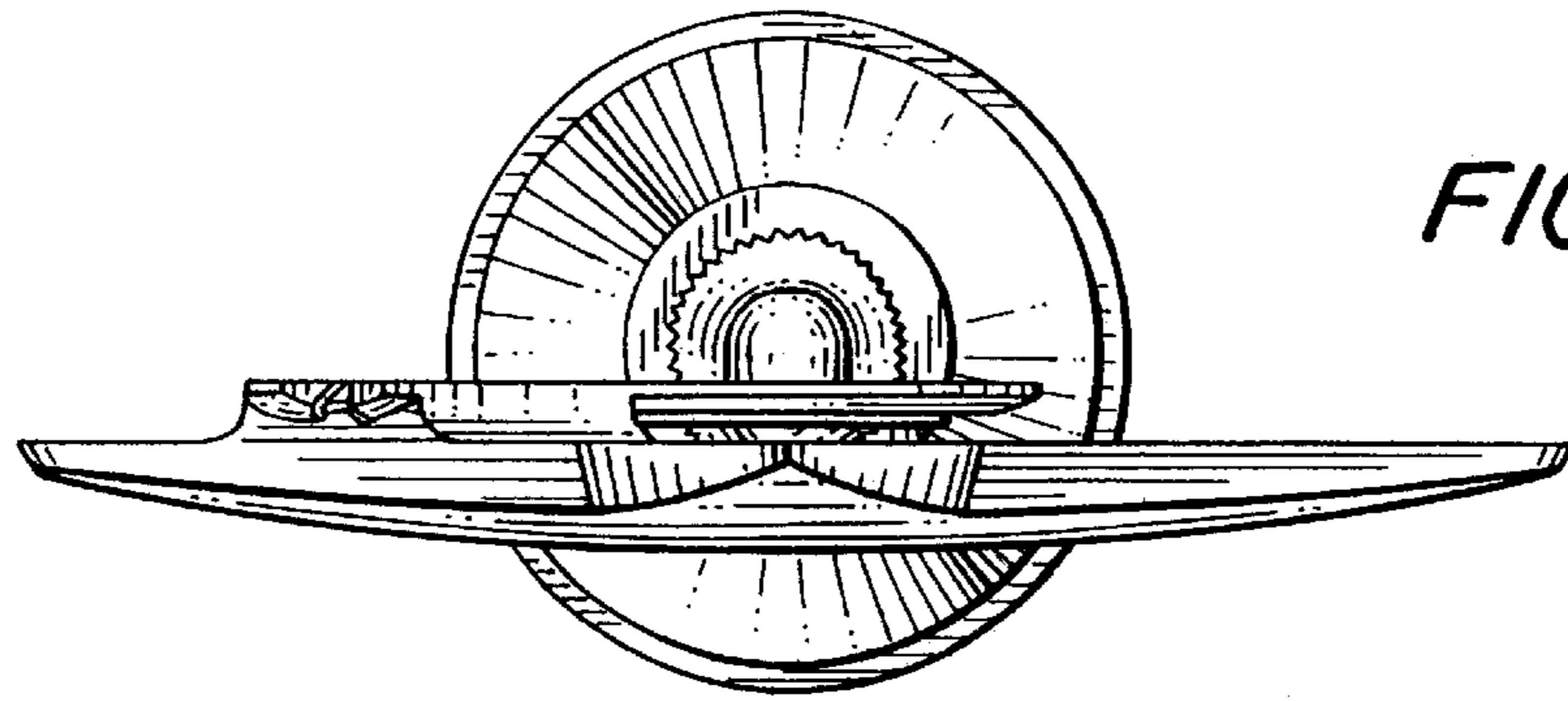


FIG. 2

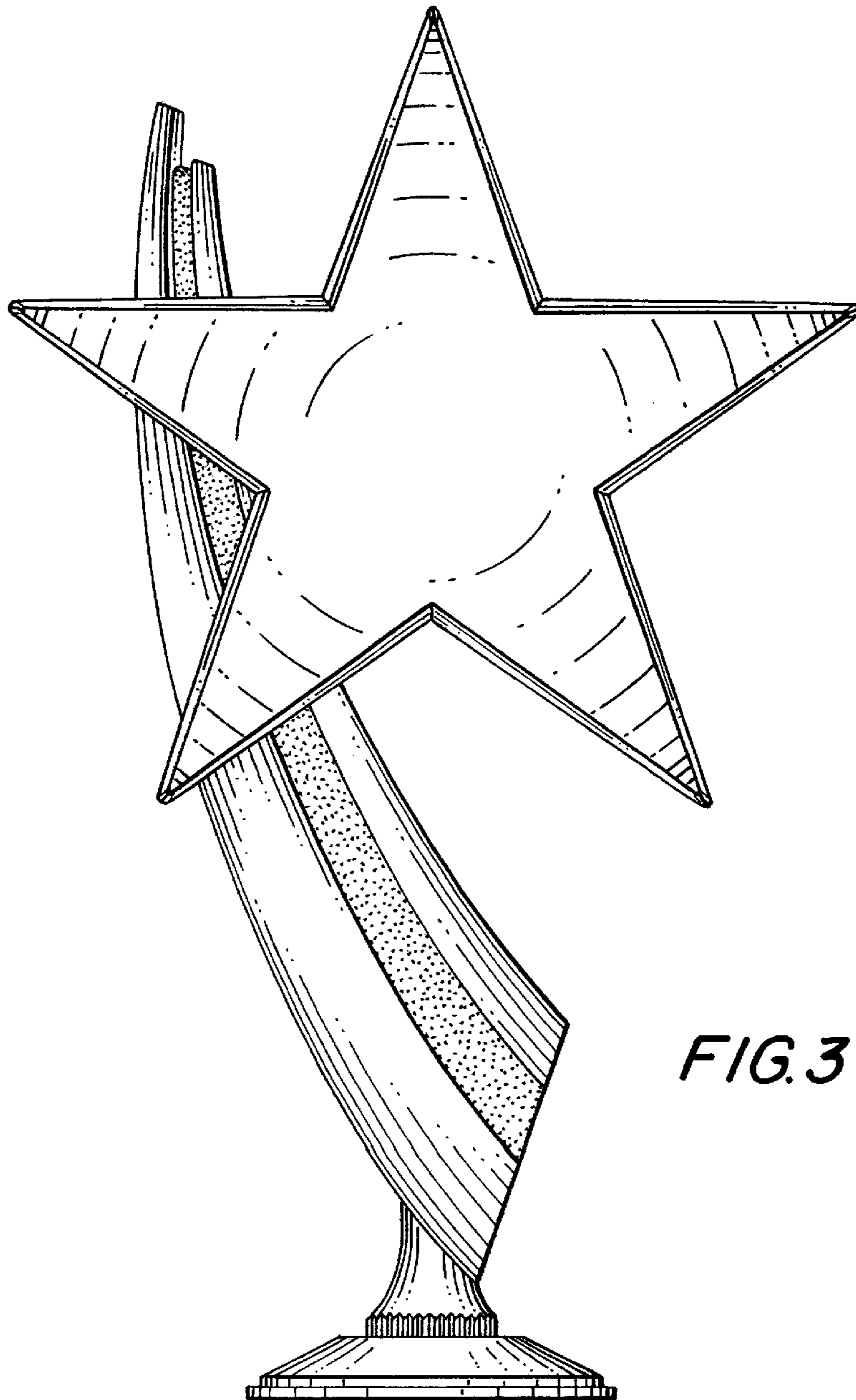


FIG. 3

FIG. 4

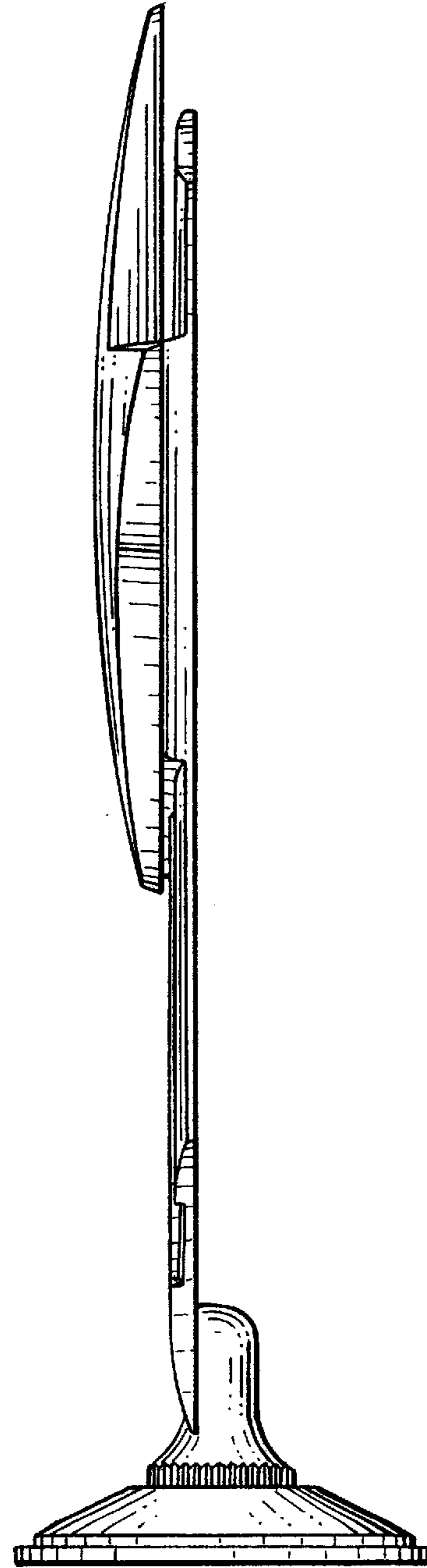
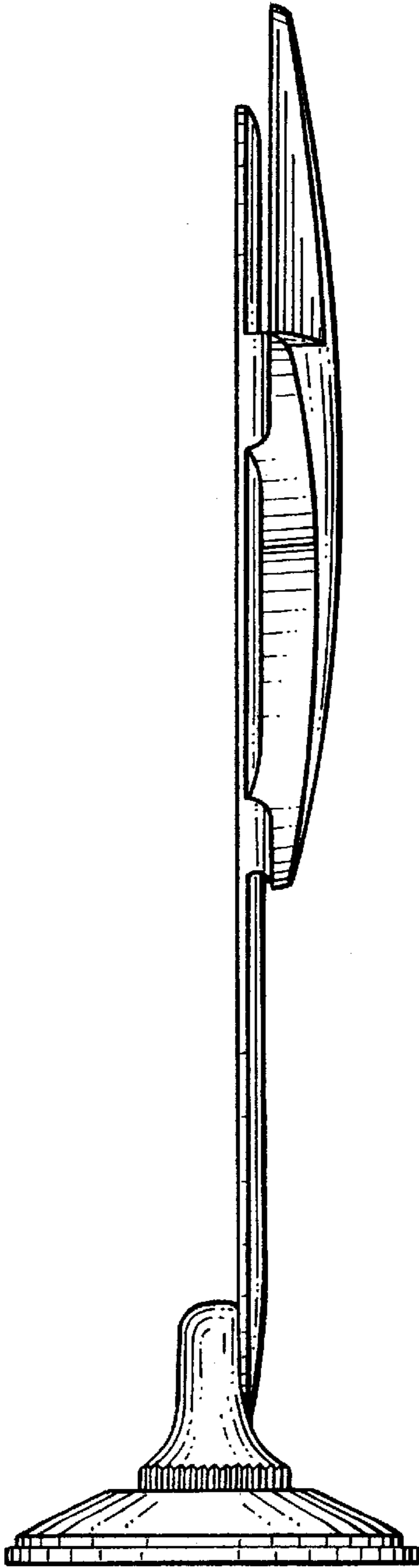


FIG. 5

