



US00D534450S

(12) **United States Design Patent**
Müller

(10) **Patent No.:** **US D534,450 S**

(45) **Date of Patent:** **** Jan. 2, 2007**

(54) **CASE FOR A WRISTWATCH**

(75) Inventor: **Jacques Müller**, Grenchen (CH)

(73) Assignee: **Swatch AG (Swatch SA) (Swatch Ltd.)**, Bienne (CH)

(**) Term: **14 Years**

(21) Appl. No.: **29/216,901**

(22) Filed: **Nov. 10, 2004**

(30) **Foreign Application Priority Data**

May 13, 2004 (WO) DM/065 380

(51) **LOC (8) Cl.** **10-07**

(52) **U.S. Cl.** **D10/132**

(58) **Field of Classification Search** D10/122–132,
D10/30–39; 368/276–278, 21, 281–283,
368/285–287, 292, 294–296, 82–84, 28–30,
368/239–242, 223, 228, 232, 80, 110, 113,
368/10

See application file for complete search history.

(56) **References Cited**

U.S. PATENT DOCUMENTS

- D48,268 S * 12/1915 Wachter D10/132
- 1,264,650 A * 4/1918 Horcasitas et al. 368/288
- D77,057 S * 12/1928 Burgess D10/32
- 1,986,328 A * 1/1935 Dreyfus 368/283
- 2,473,226 A * 6/1949 Sheldon 224/219
- D157,607 S * 3/1950 Lachman D10/38
- D165,043 S * 11/1951 Ankney D16/135
- 2,582,473 A * 1/1952 Belfert 368/286
- 2,679,785 A * 6/1954 Batt 359/441
- 3,202,331 A * 8/1965 McKinstrie 224/221
- 3,584,455 A * 6/1971 Sion 368/283
- D267,239 S * 12/1982 Allen D10/132

- D347,583 S * 6/1994 Elkins, III D10/32
- 5,652,736 A * 7/1997 Lee 368/278
- 5,883,860 A * 3/1999 McKay 368/10
- 5,923,623 A * 7/1999 Lee 368/278
- D417,236 S * 11/1999 Burrus D19/28
- D455,355 S * 4/2002 Chan D10/31

* cited by examiner

Primary Examiner—Lucy Lieberman

(74) *Attorney, Agent, or Firm*—Collen IP; Donald J. Ranft

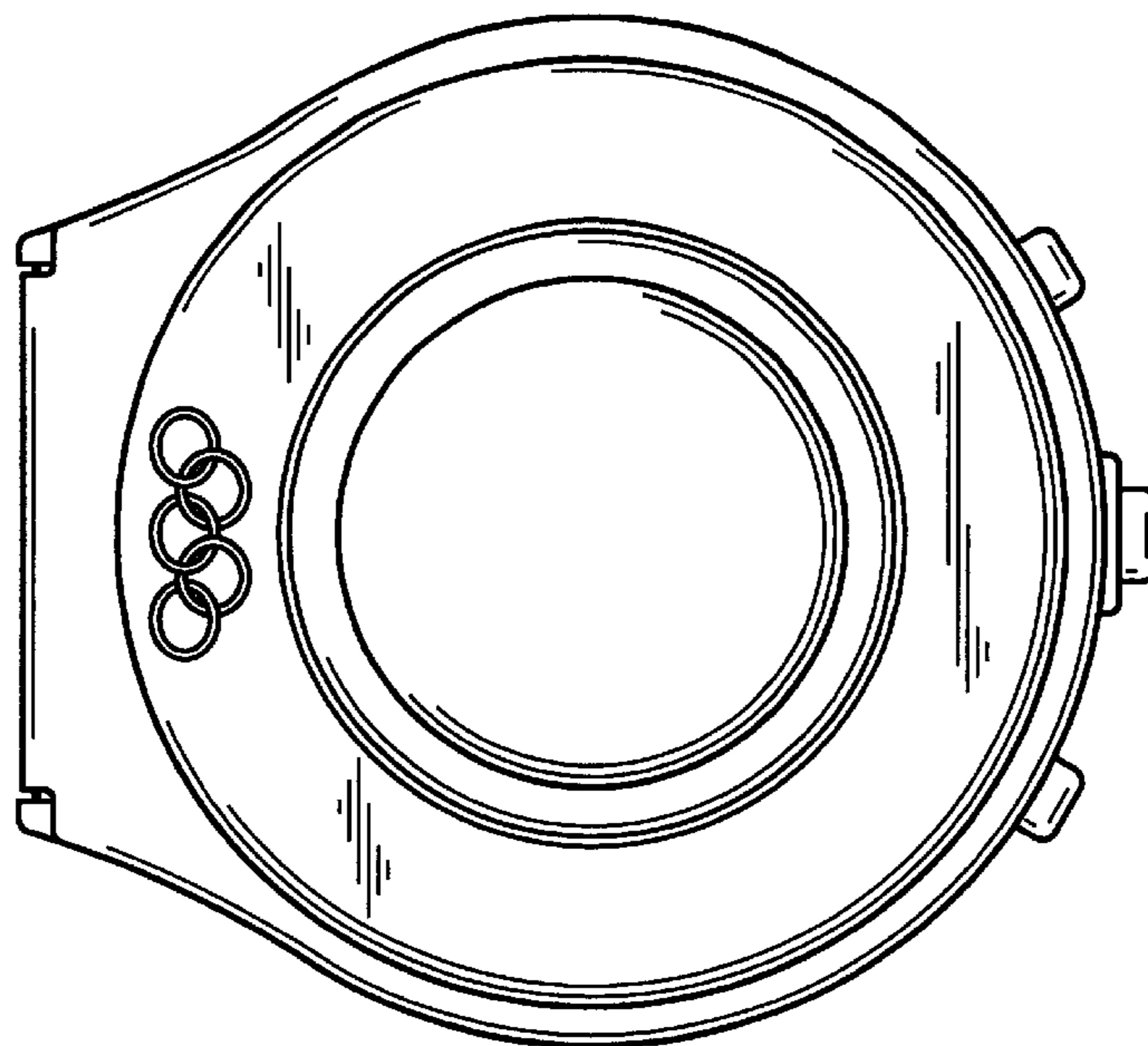
(57) **CLAIM**

The ornamental design for a case for a wristwatch, as shown and described.

DESCRIPTION

FIG. 1 is a front view of my new and ornamental design for a case for a wristwatch;
 FIG. 2 is a back view thereof;
 FIG. 3 is a left side view thereof;
 FIG. 4 is a right side view thereof;
 FIG. 5 is a top view thereof;
 FIG. 6 is a bottom view thereof;
 FIG. 7 is a perspective view of the opened case for a wristwatch;
 FIG. 8 is a perspective view of the closed case for a wristwatch;
 FIG. 9 is a front view of the case for a wristwatch including a wristwatch shown for illustrative purposes only; and,
 FIG. 10 is a perspective view of the opened case for a wristwatch including a wristwatch shown for illustrative purposes only.
 The broken line showing of a wristwatch in FIGS. 9 and 10 is for illustrative purposes only and forms no part of the claimed design.

1 Claim, 6 Drawing Sheets



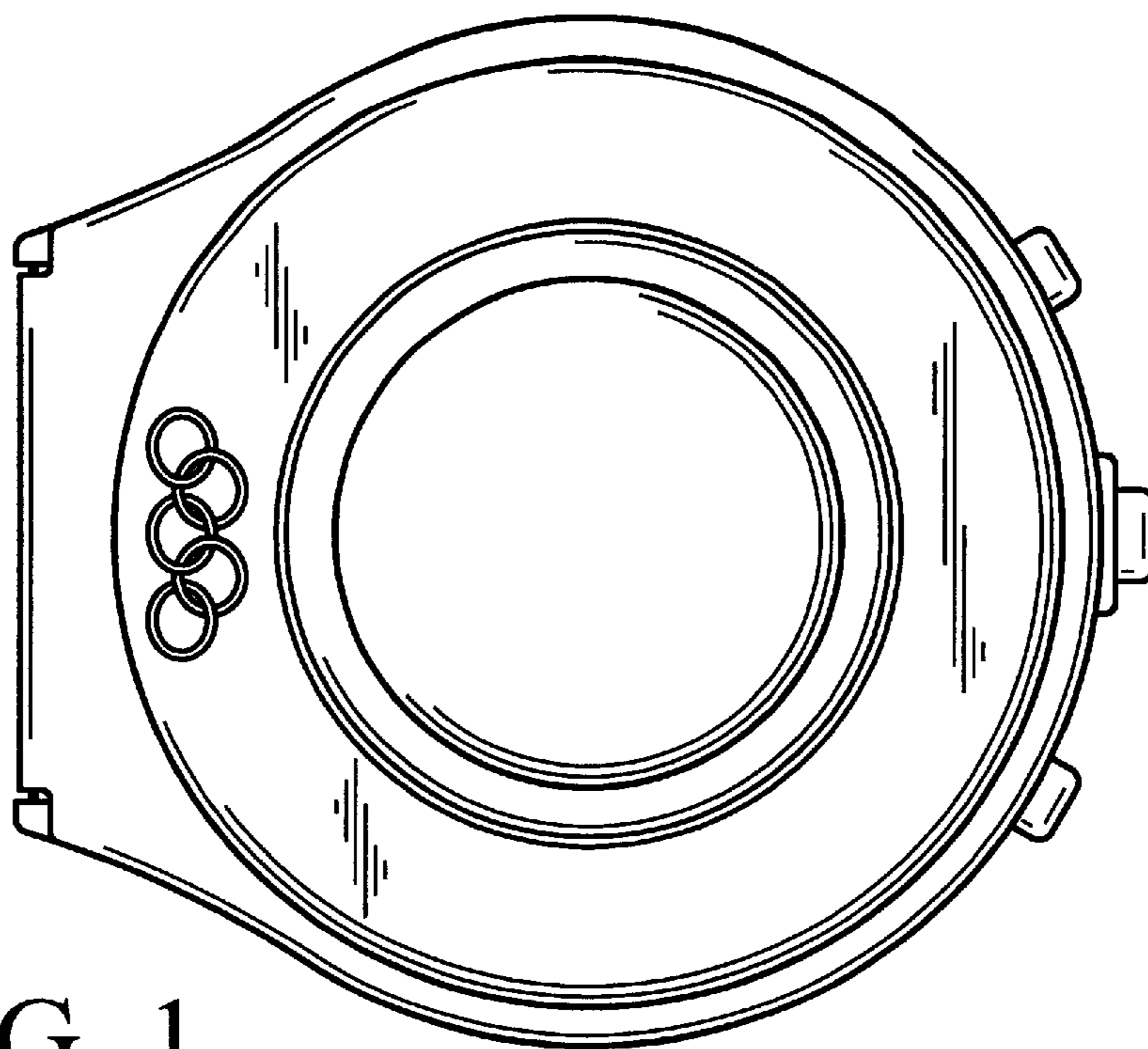


FIG. 1

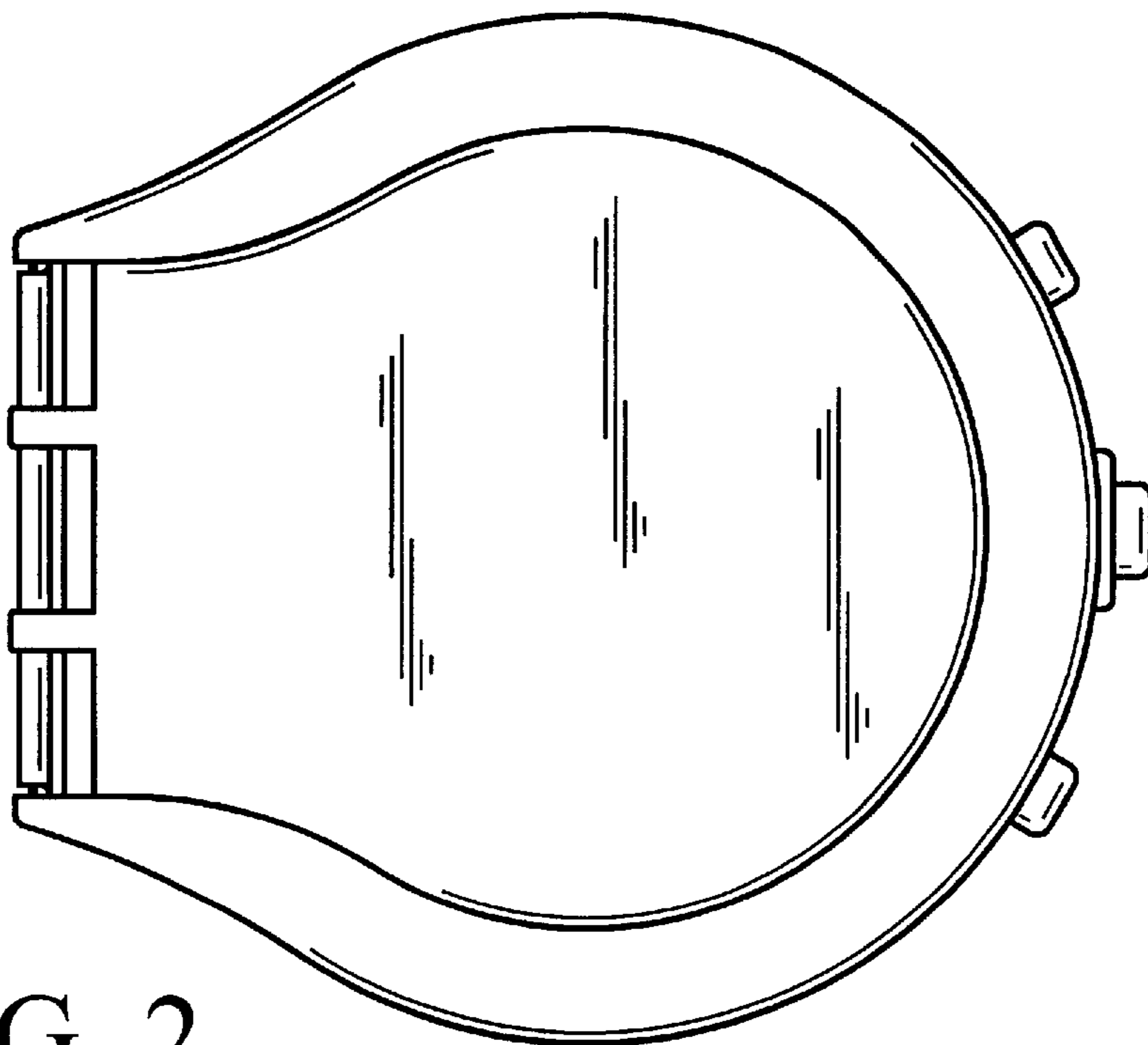


FIG. 2

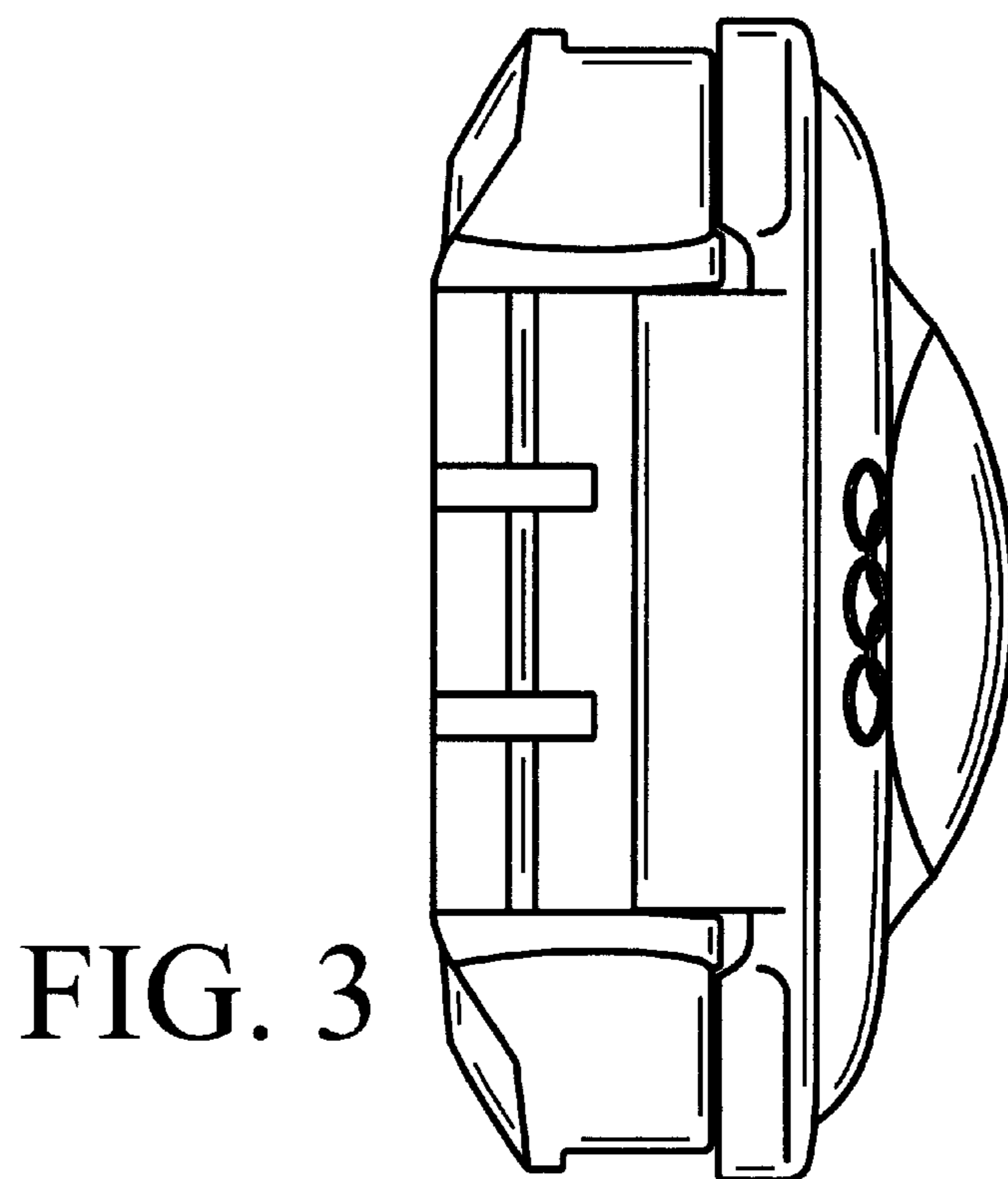


FIG. 3

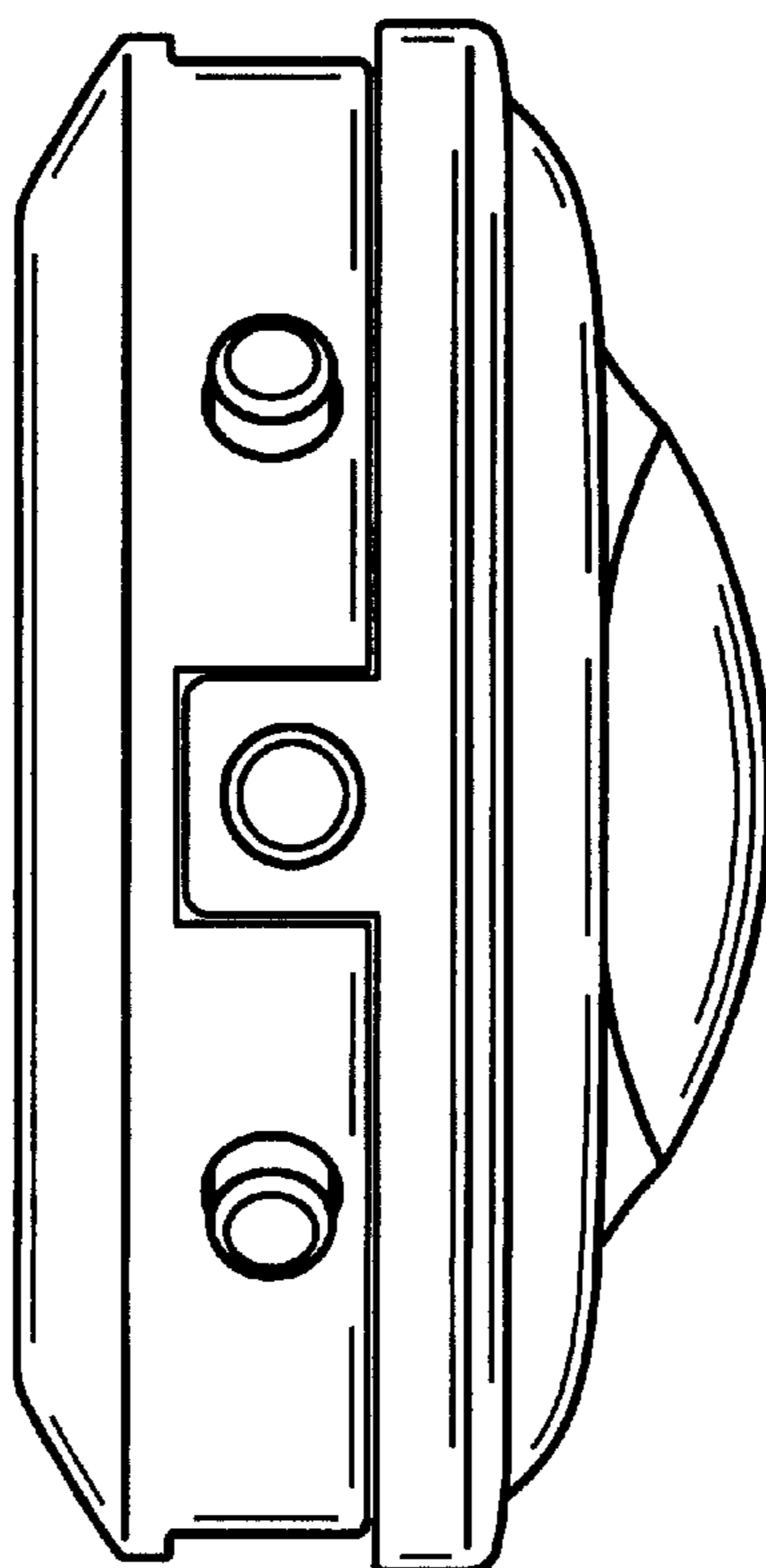


FIG. 4

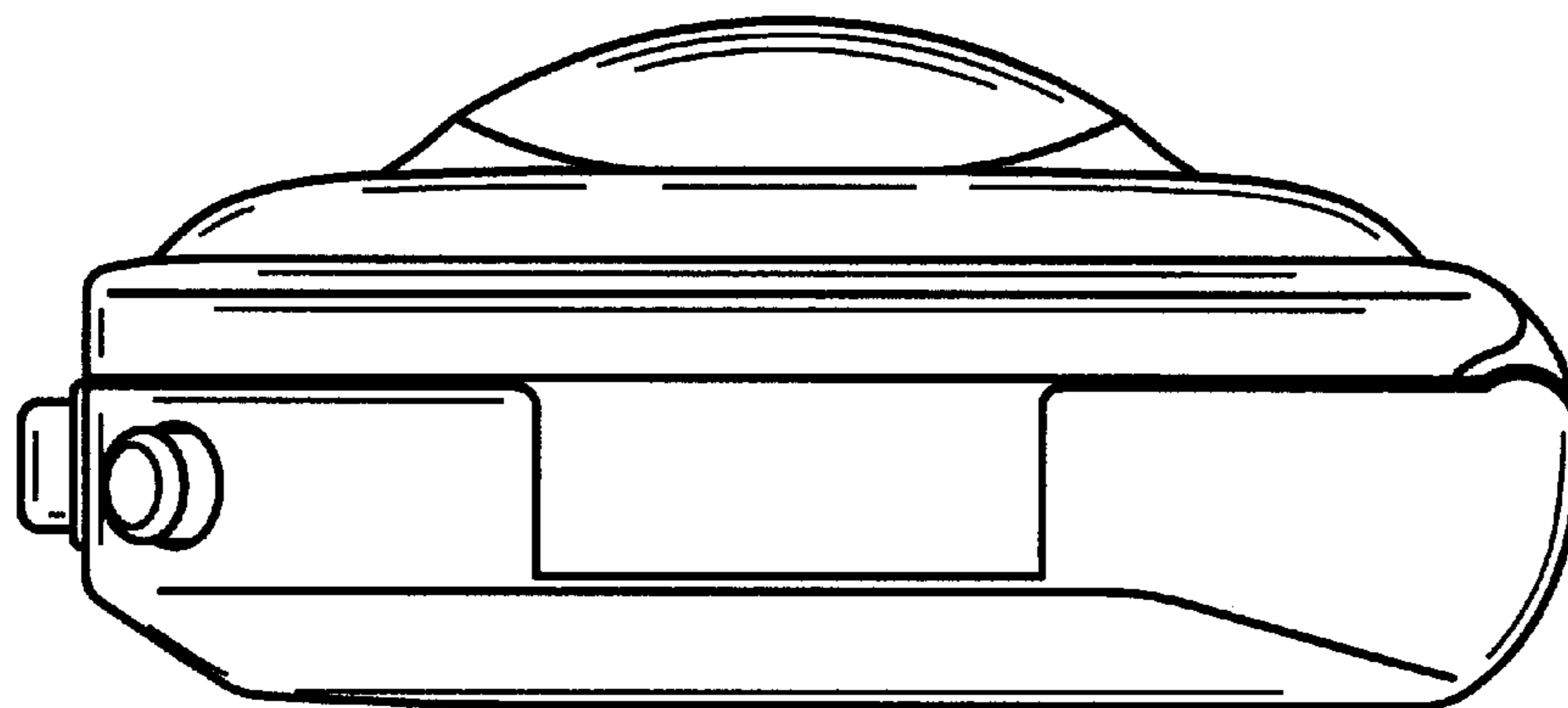


FIG. 5

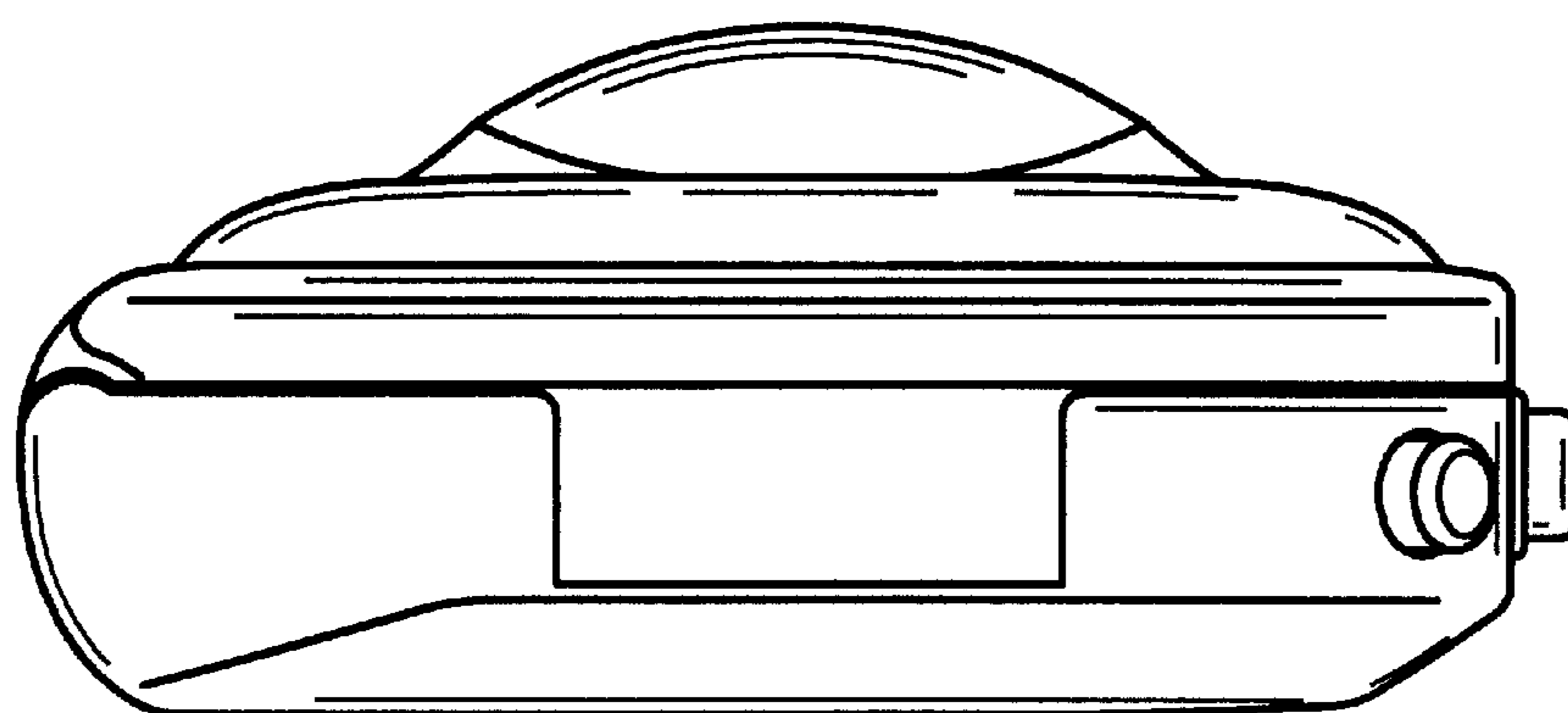


FIG. 6

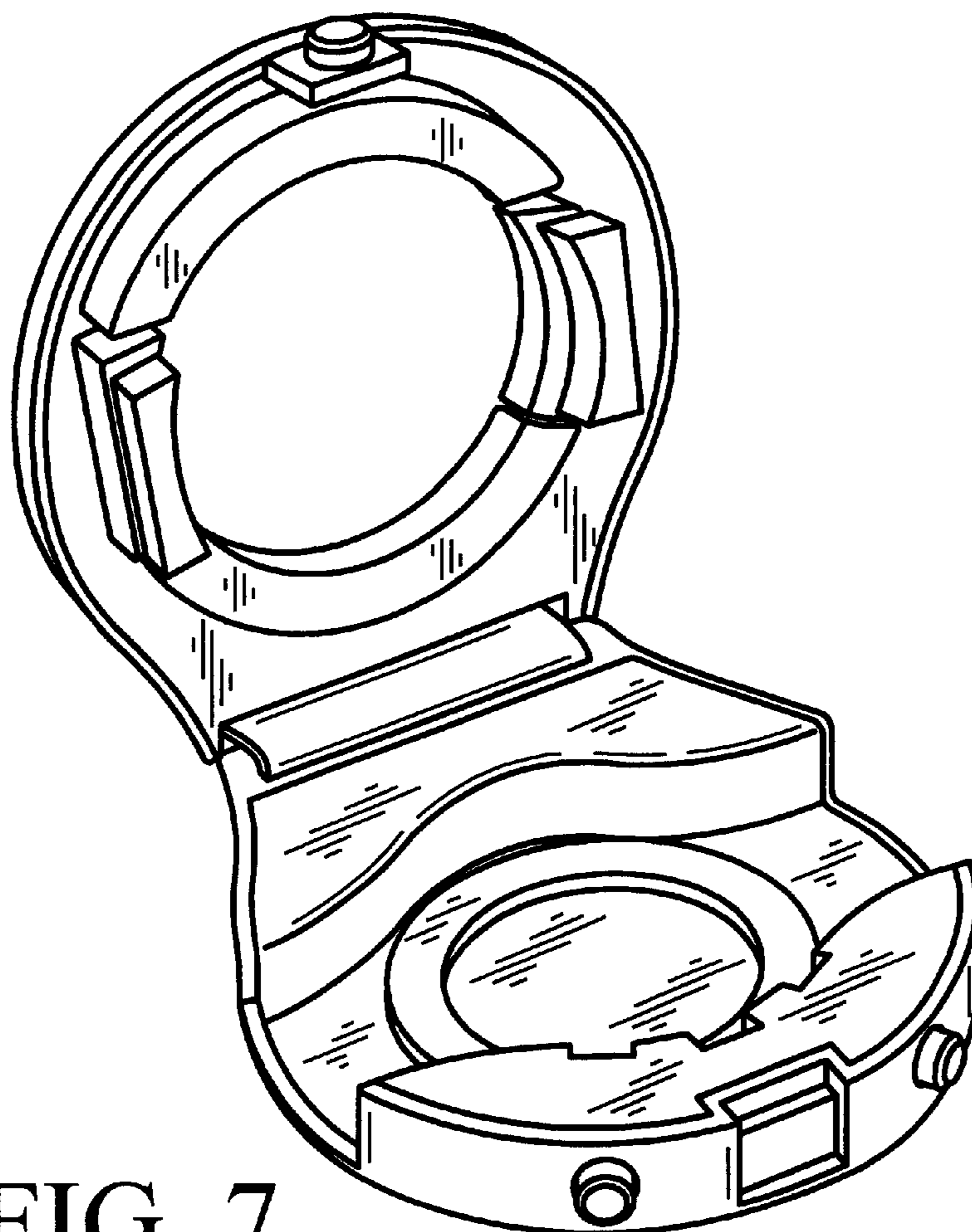


FIG. 7

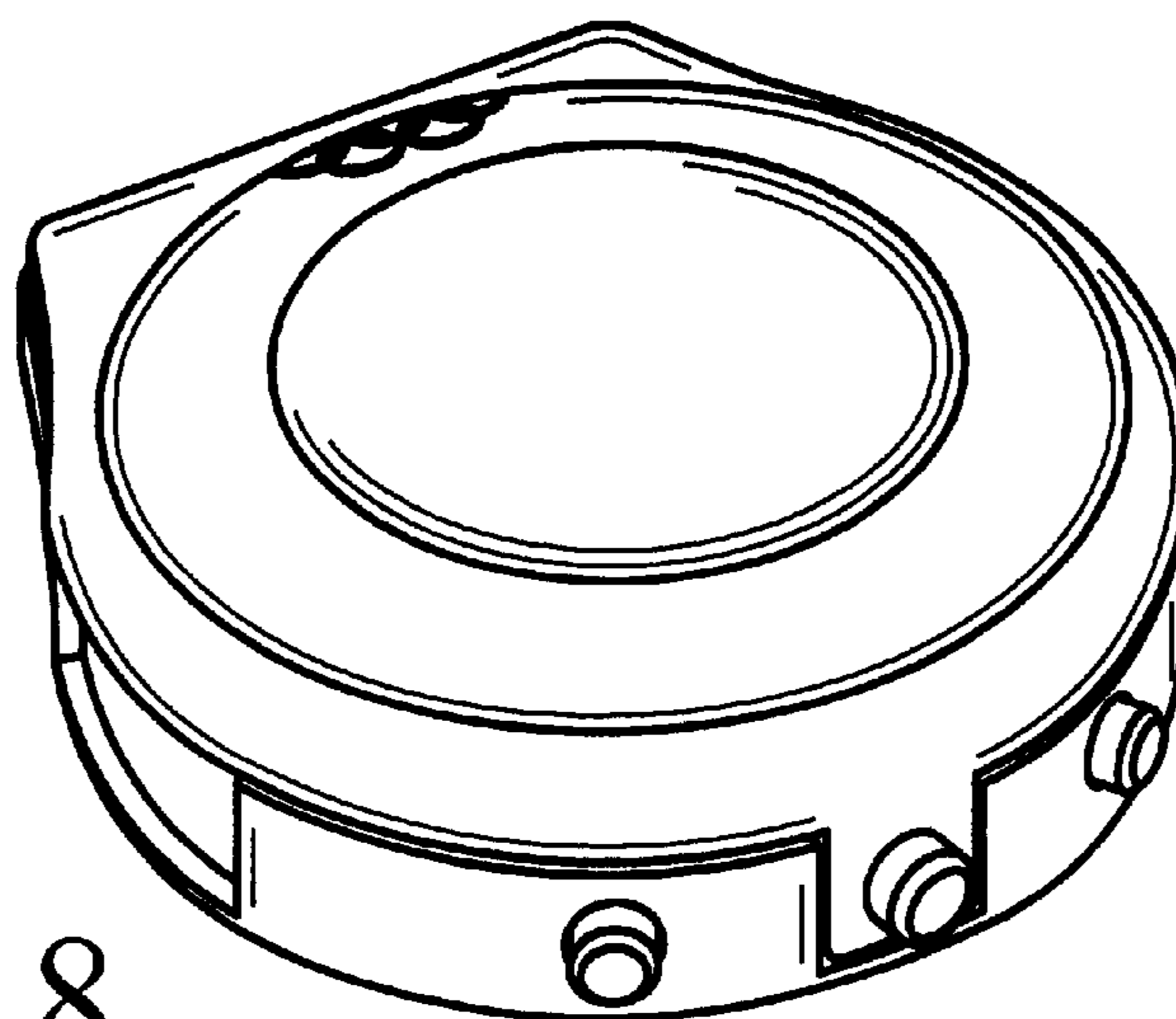


FIG. 8

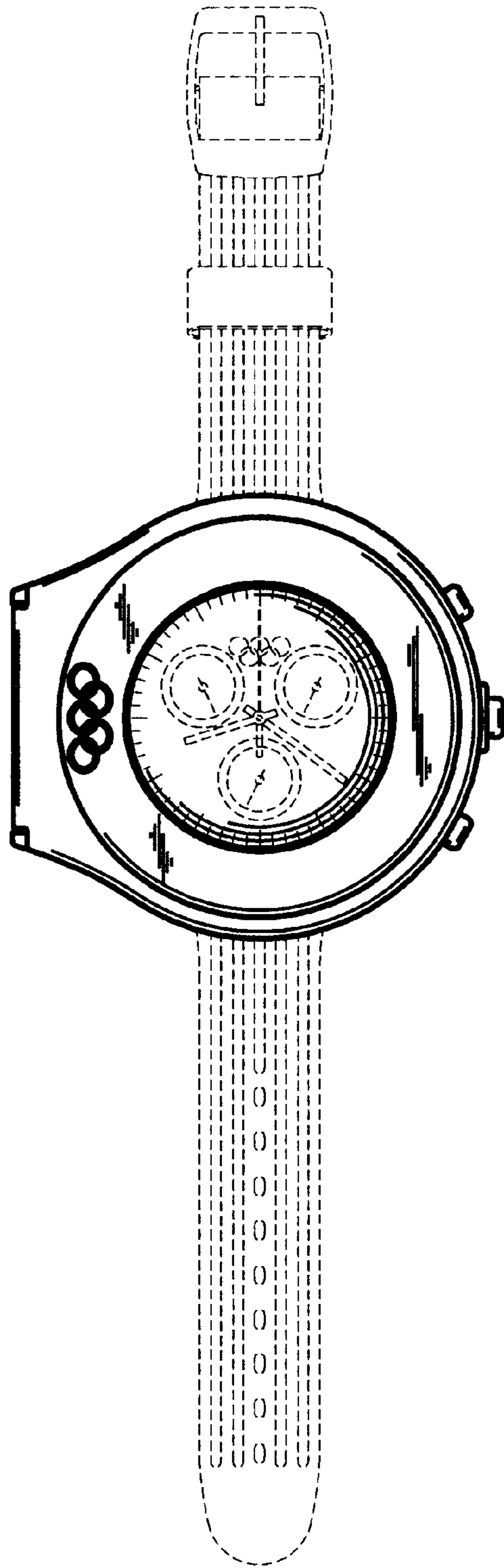


FIG. 9

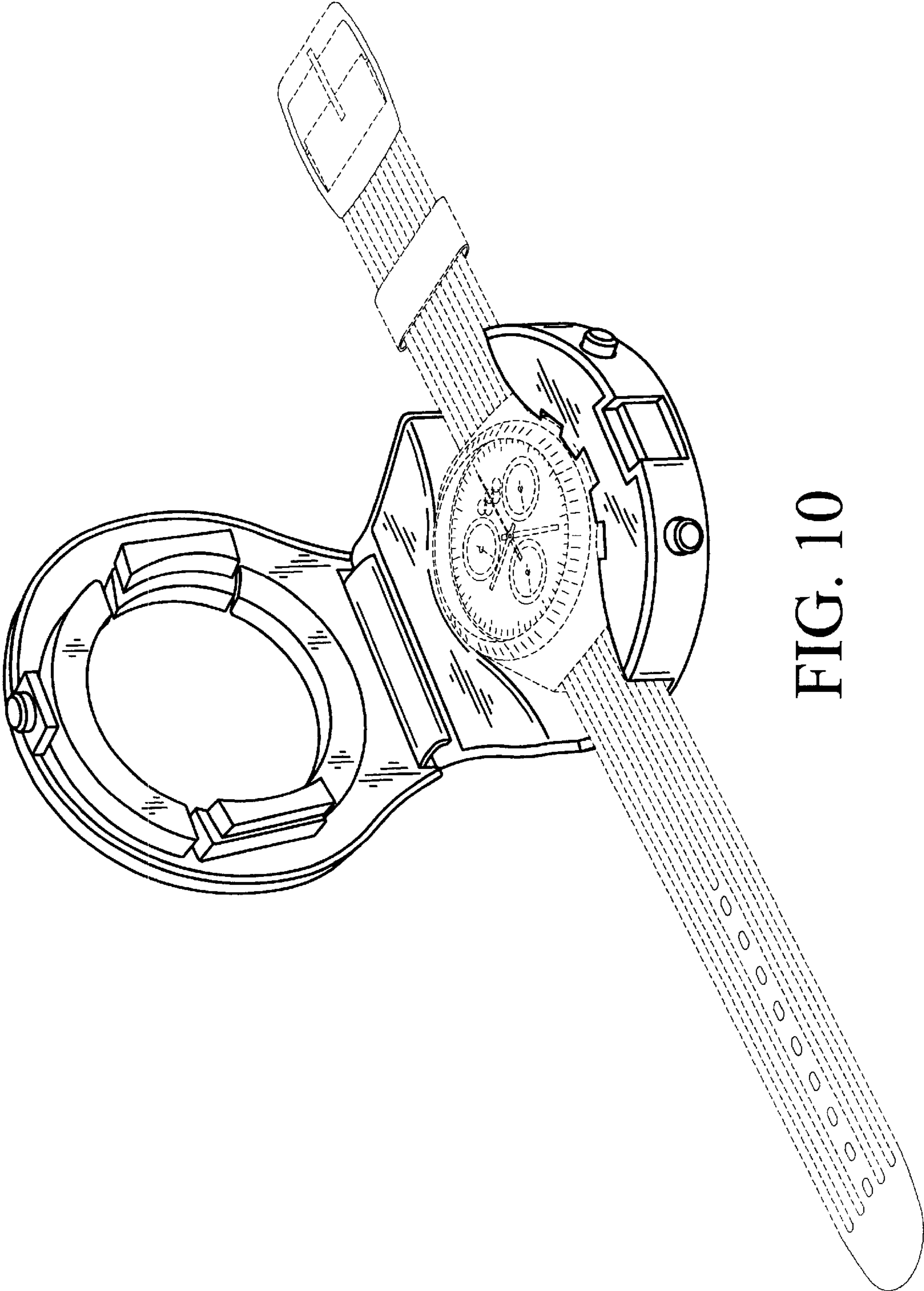


FIG. 10