



US00D534447S

(12) **United States Design Patent**  
**Marini**

(10) **Patent No.:** **US D534,447 S**

(45) **Date of Patent:** **\*\* Jan. 2, 2007**

(54) **TIRE PUMP**

(75) Inventor: **Maurizio Marini**, Pesaro (IT)

(73) Assignee: **TEK S.R.L.**, Pesaro (IT)

(\*\*) Term: **14 Years**

(21) Appl. No.: **29/217,447**

(22) Filed: **Nov. 17, 2004**

(30) **Foreign Application Priority Data**

May 18, 2004 (EM) ..... 000178983

(51) **LOC (8) Cl.** ..... **10-04**

(52) **U.S. Cl.** ..... **D10/86**

(58) **Field of Classification Search** ..... D10/86;  
29/402.01, 402.02, 402.03; 141/38; 152/415;  
254/93 H

See application file for complete search history.

(56) **References Cited**

**U.S. PATENT DOCUMENTS**

5,873,705 A \* 2/1999 Chen ..... 417/259

5,909,752 A \* 6/1999 Gerresheim et al. .... 141/38  
2003/0047652 A1 \* 3/2003 Eckhardt ..... 248/121  
2004/0159365 A1 \* 8/2004 Cowan et al. .... 141/38  
2004/0221439 A1 \* 11/2004 Villarreal ..... 29/407.08

\* cited by examiner

*Primary Examiner*—Antoine D. Davis

*Assistant Examiner*—Patricia Palasik

(74) *Attorney, Agent, or Firm*—Ladas and Parry LLP

(57) **CLAIM**

The ornamental design for a tire pump, as shown.

**DESCRIPTION**

FIG. 1 is a front view of my new design relating to a tire pump;

FIG. 2 is a rear view thereof;

FIG. 3 is a bottom view thereof;

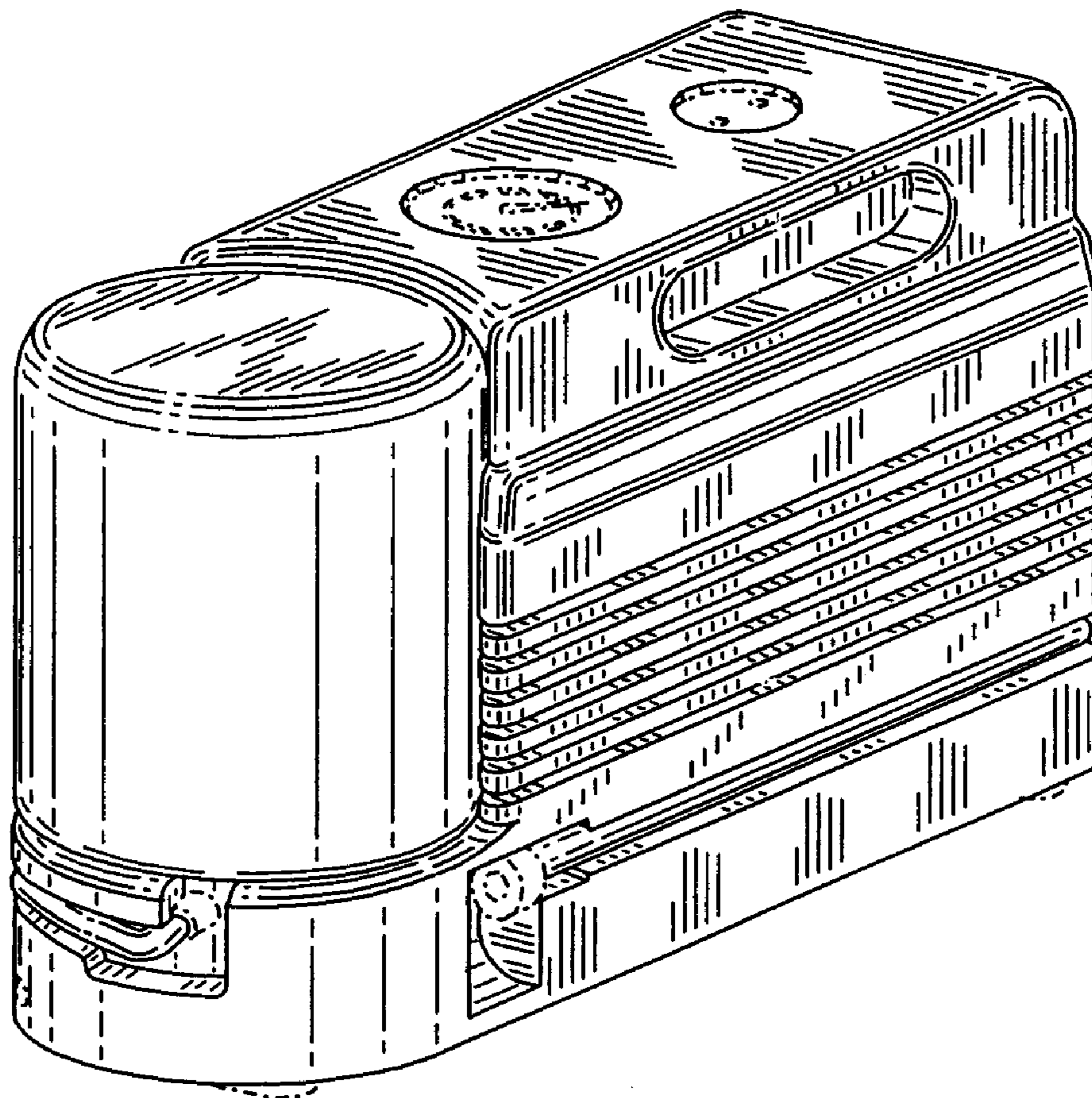
FIG. 4 is a left side view thereof;

FIG. 5 is a right side view thereof;

FIG. 6 is a top, right side perspective view thereof; and,

FIG. 7 is a top plan view thereof.

**1 Claim, 4 Drawing Sheets**



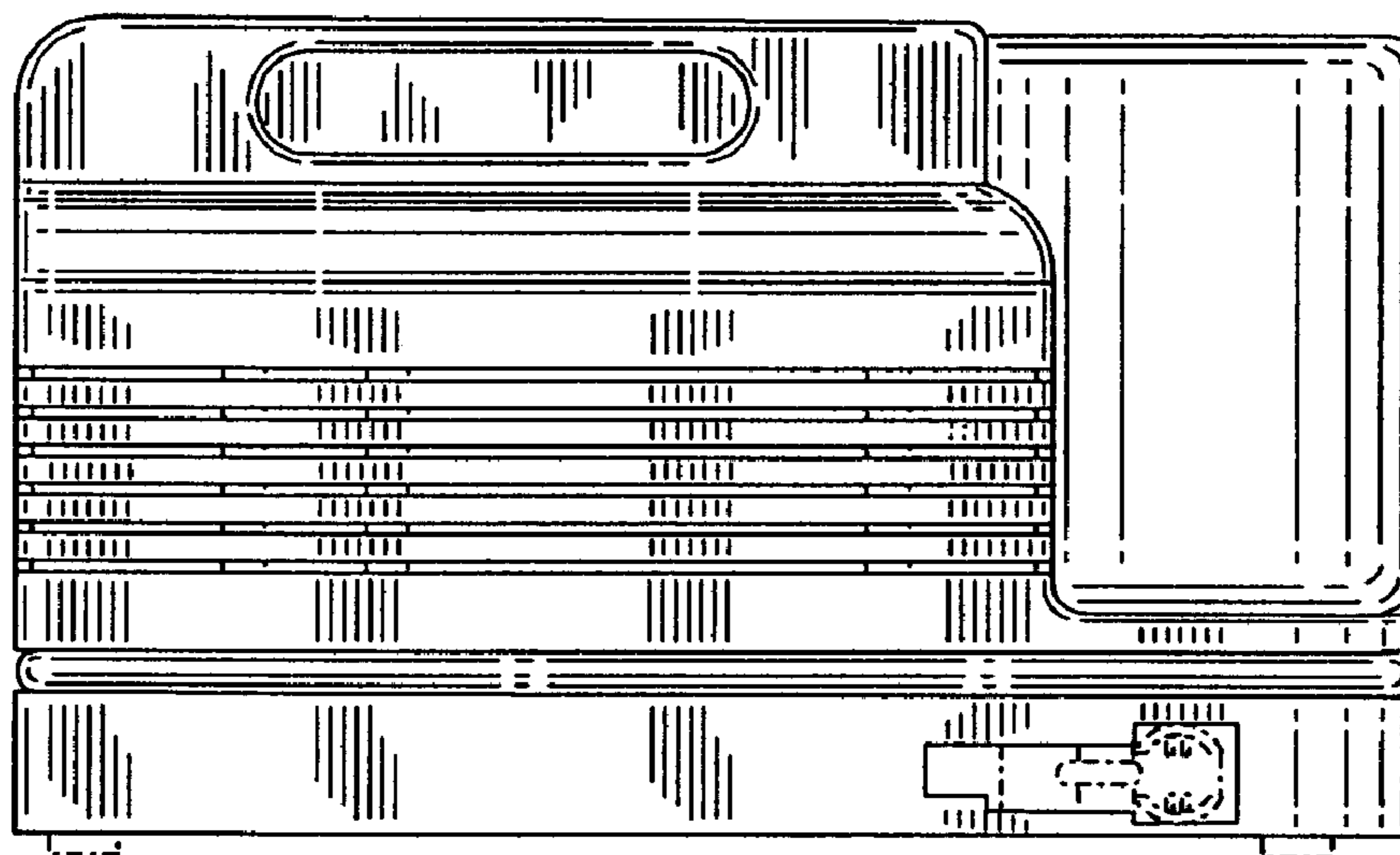


FIG. 1

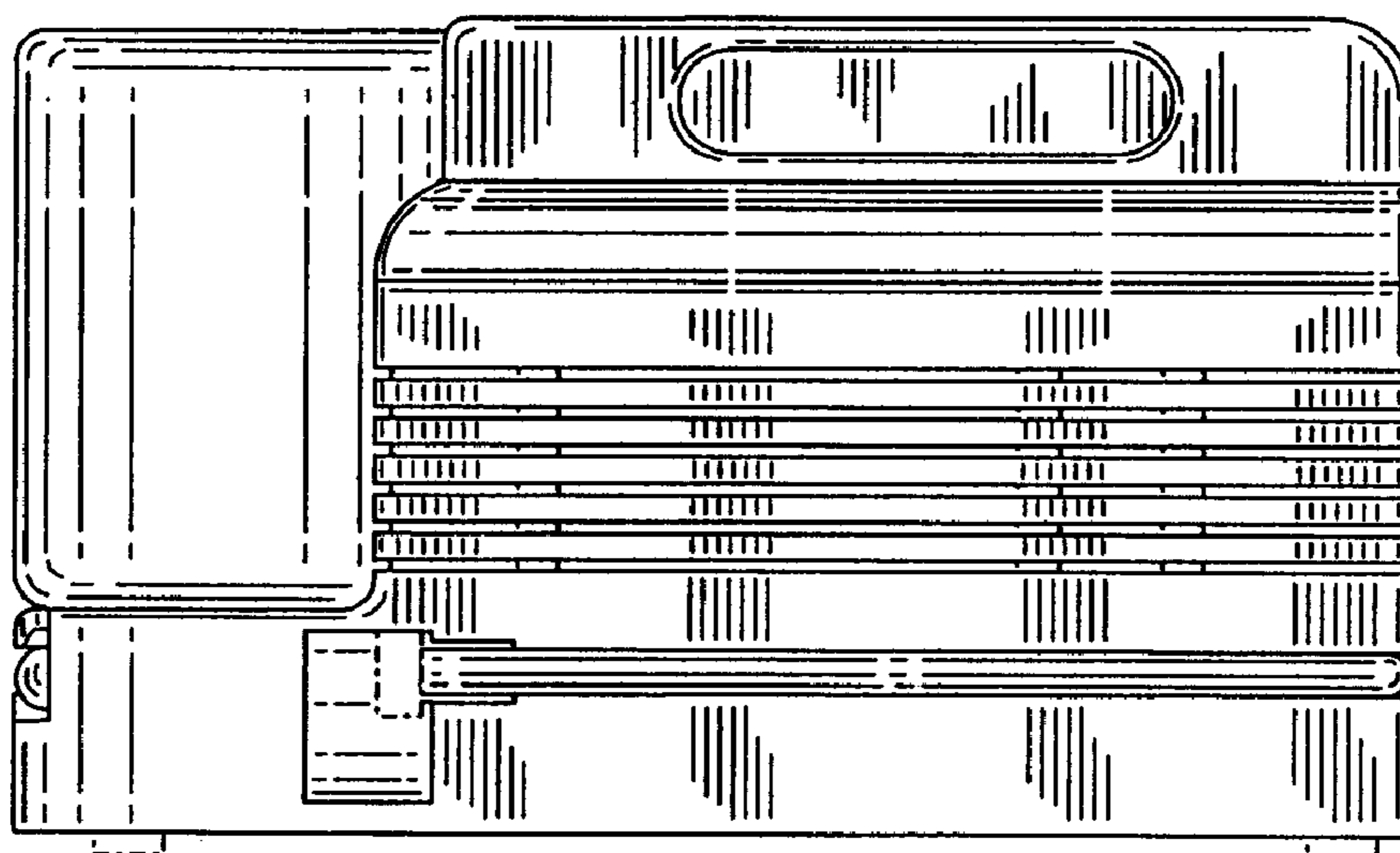


FIG. 2

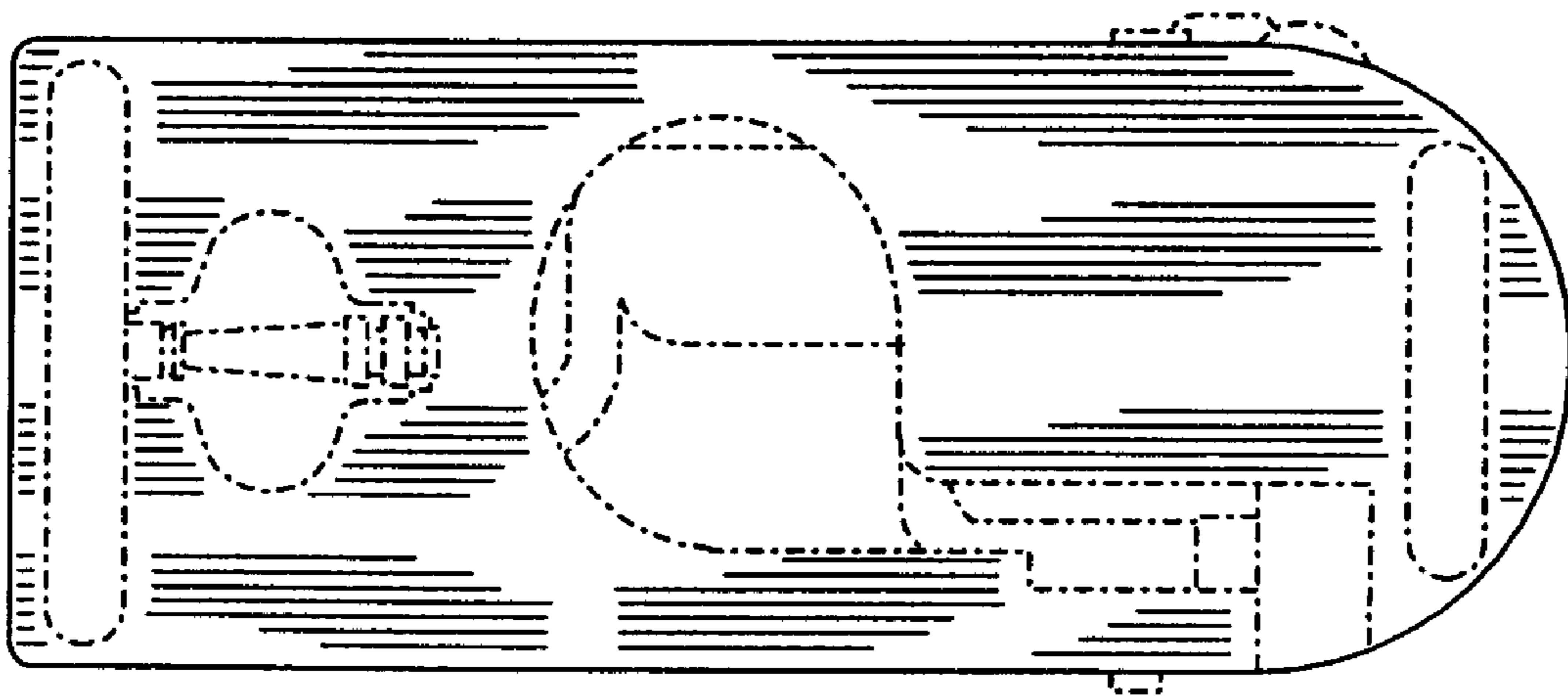


FIG. 3

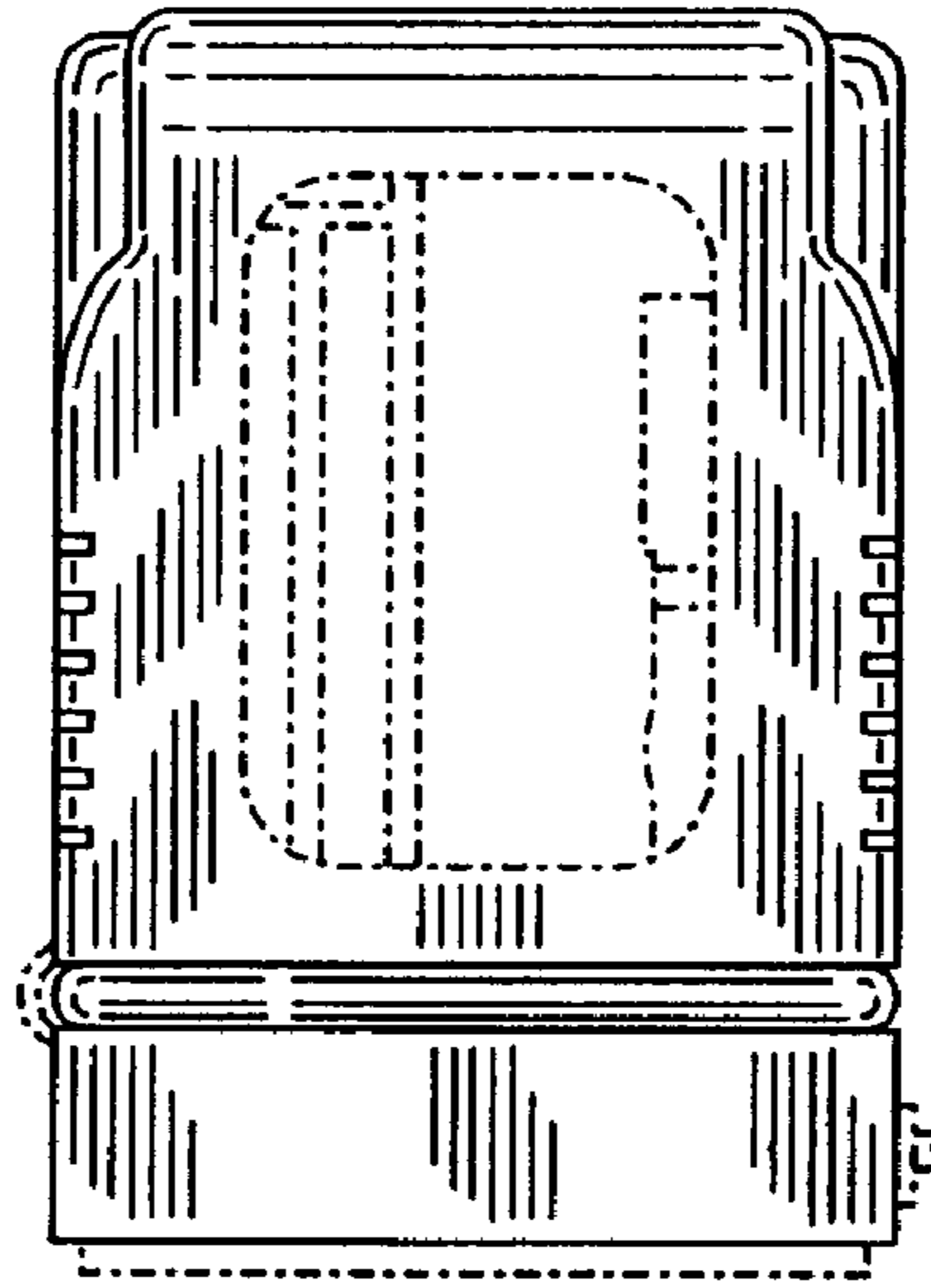


FIG. 4

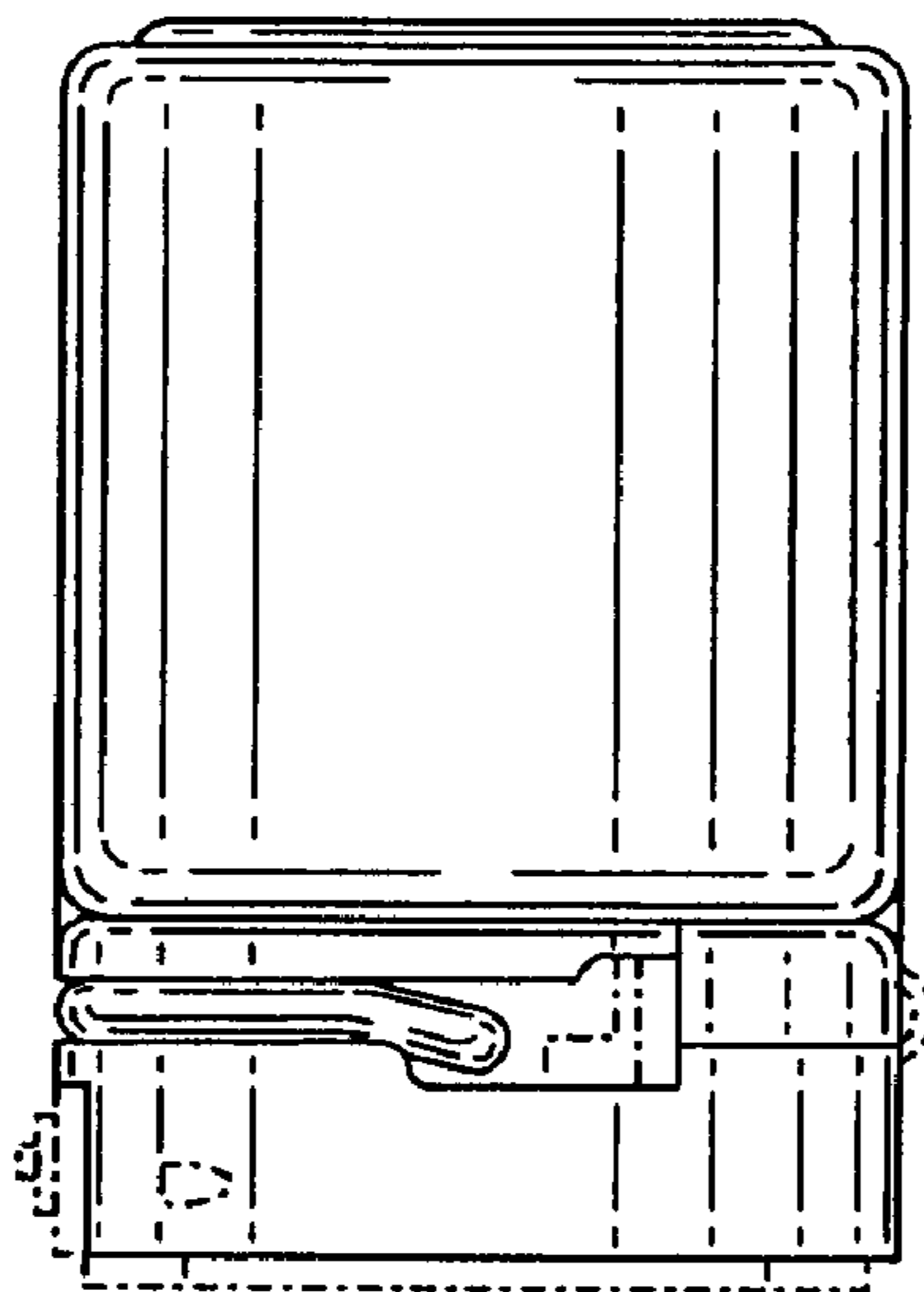


FIG. 5



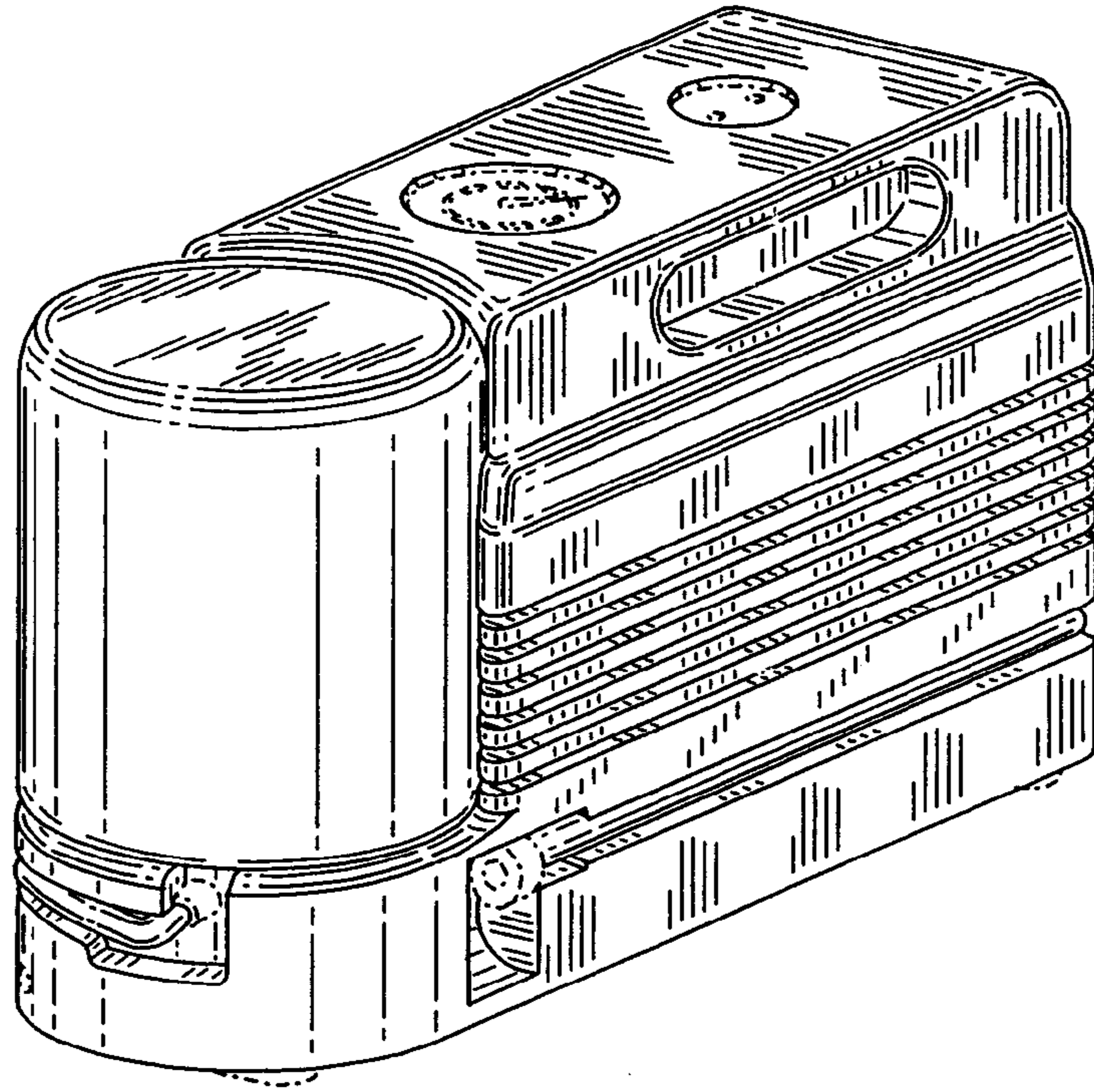


FIG. 6

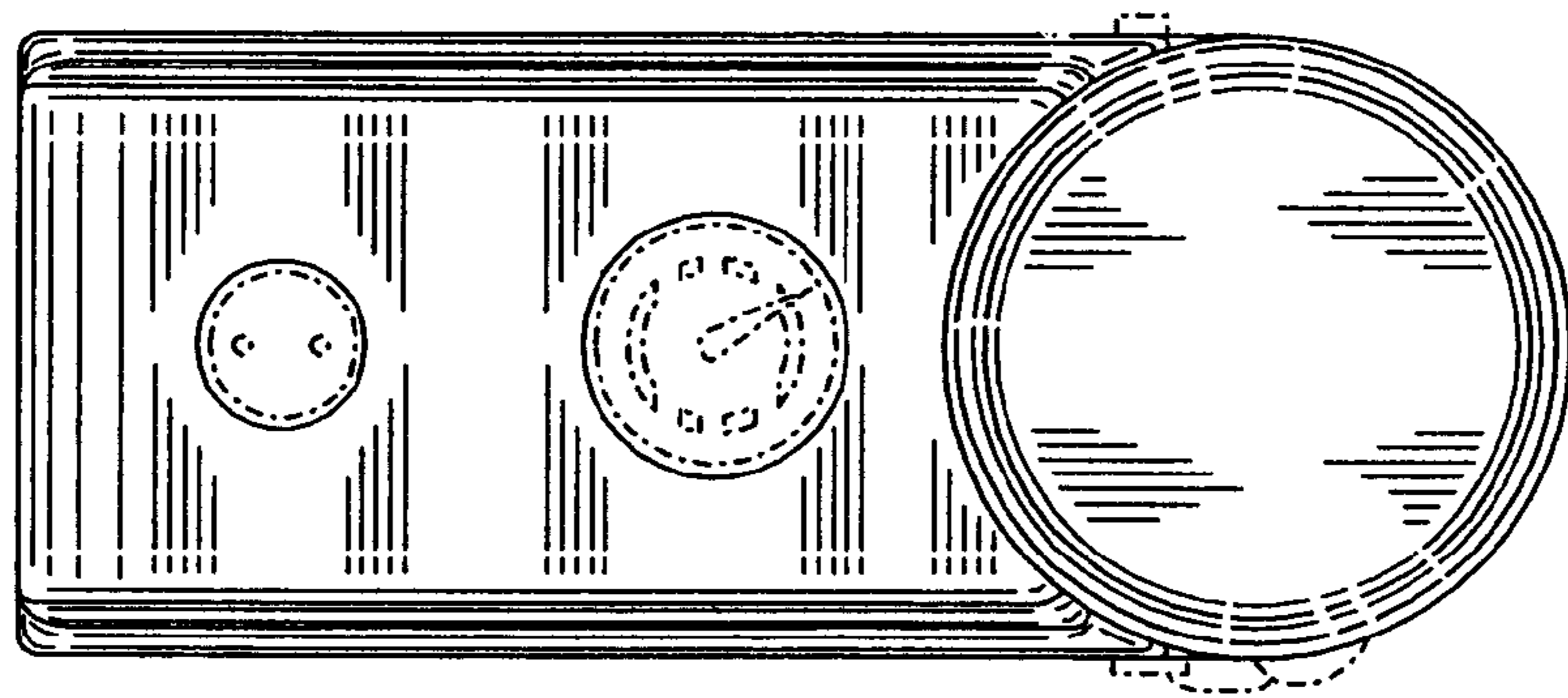


FIG. 7