



US00D534445S

(12) **United States Design Patent**  
**Kaushal et al.**

(10) **Patent No.:** **US D534,445 S**

(45) **Date of Patent:** **\*\* \*Jan. 2, 2007**

(54) **HANDHELD DIAGNOSTIC INSTRUMENT**

D449,549 S \* 10/2001 Hoelbl ..... D10/81  
D499,805 S \* 12/2004 D'Agostino ..... D10/81  
D512,333 S \* 12/2005 Blacken et al. .... D10/78

(75) Inventors: **Ashwani Kaushal**, Mississauga (CA);  
**Duncan MacIntyre**, Campbellville  
(CA)

\* cited by examiner

(73) Assignee: **NIR Diagnostics Inc.**, Campbellville  
(CA)

*Primary Examiner*—Antoine D. Davis  
(74) *Attorney, Agent, or Firm*—Hovey Williams LLP

(\*) Notice: This patent is subject to a terminal disclaimer.

(57) **CLAIM**

(\*\*) Term: **14 Years**

The ornamental design for a handheld diagnostic instrument, as shown and described.

(21) Appl. No.: **29/224,723**

**DESCRIPTION**

(22) Filed: **Mar. 4, 2005**

FIG. 1 is a perspective view of the handheld diagnostic instrument;

(51) **LOC (8) Cl.** ..... **10-04**

FIG. 2 is a left side elevational view thereof;

(52) **U.S. Cl.** ..... **D10/78; D10/81**

FIG. 3 is a right side elevational view thereof;

(58) **Field of Classification Search** ..... D10/78,

FIG. 4 is a top plan view thereof;

D10/81; 356/128–137, 243.1, 146, 300

FIG. 5 is a front elevational view thereof;

See application file for complete search history.

FIG. 6 is a rear elevational view thereof; and,

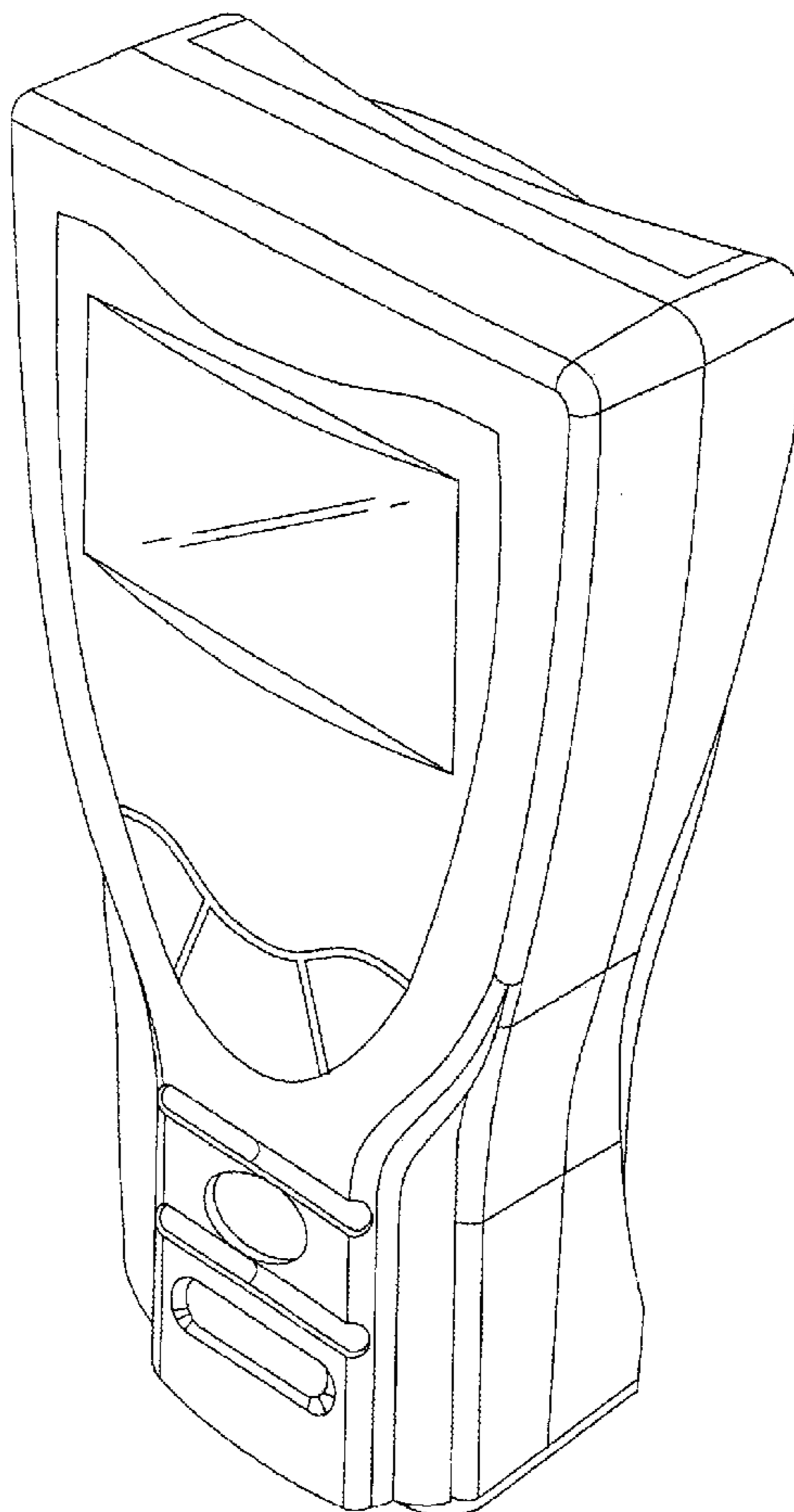
FIG. 7 is a bottom elevational view thereof.

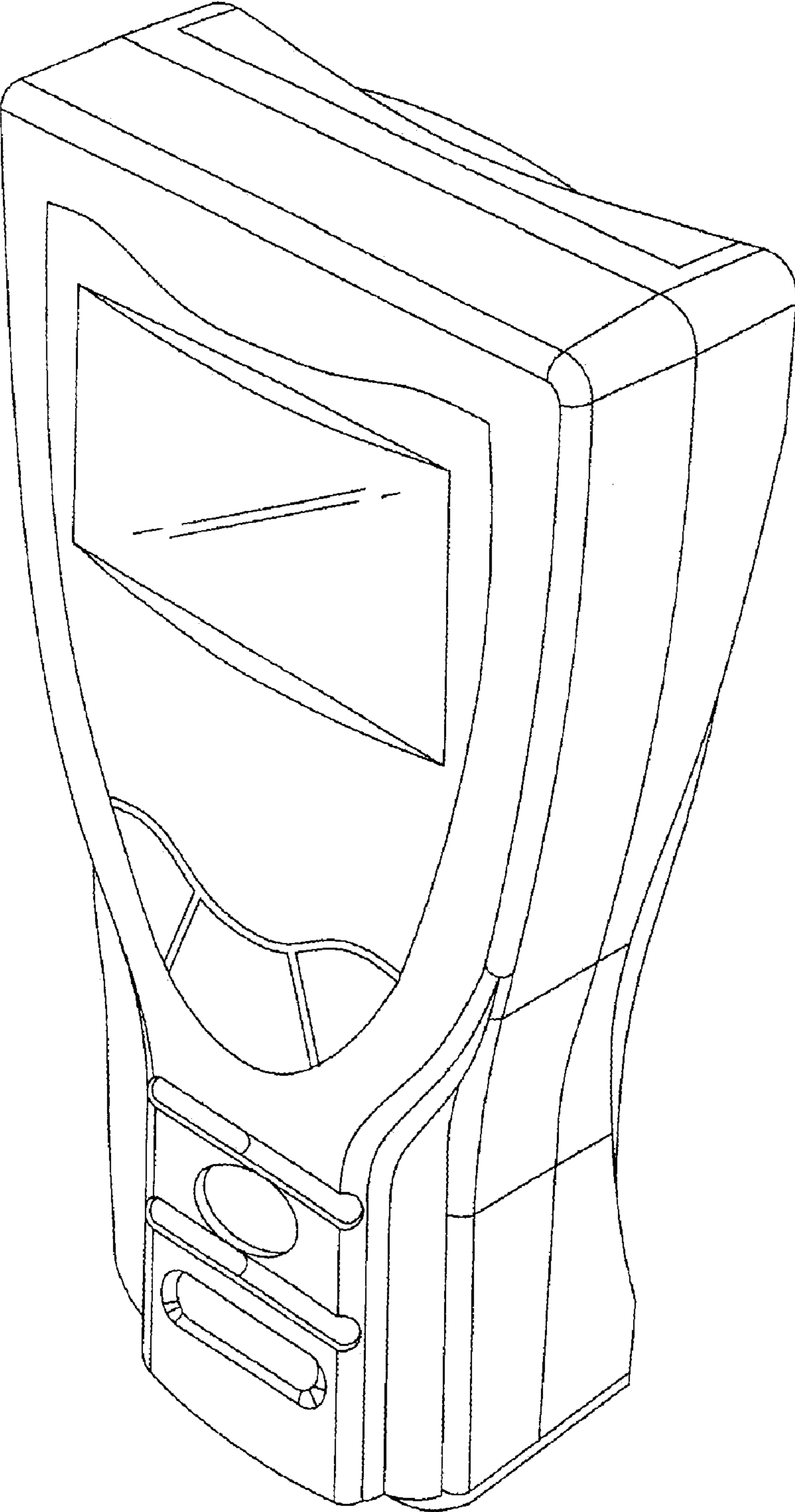
(56) **References Cited**

**U.S. PATENT DOCUMENTS**

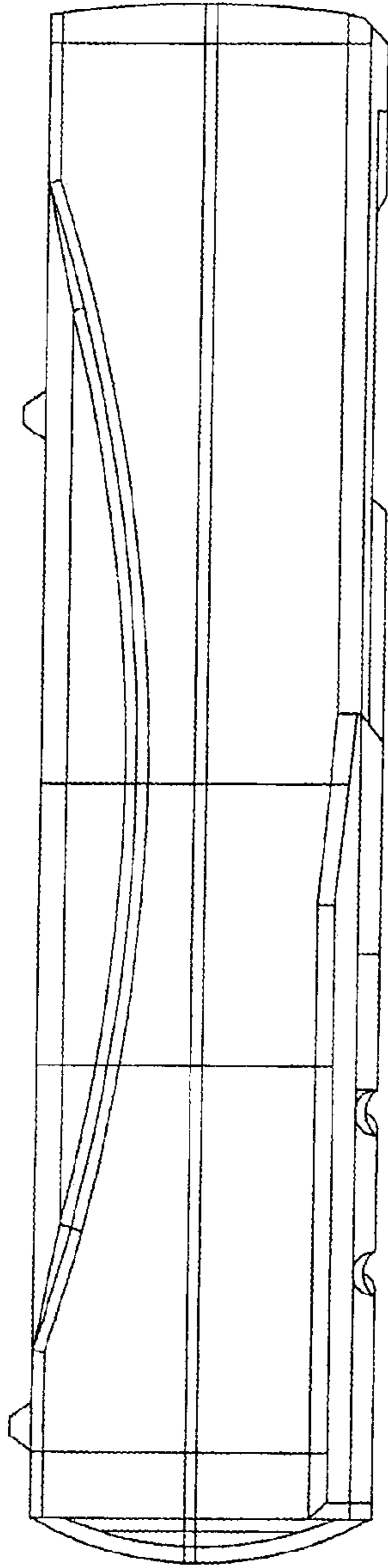
D361,288 S \* 8/1995 Chandwick et al. .... D10/78

**1 Claim, 6 Drawing Sheets**

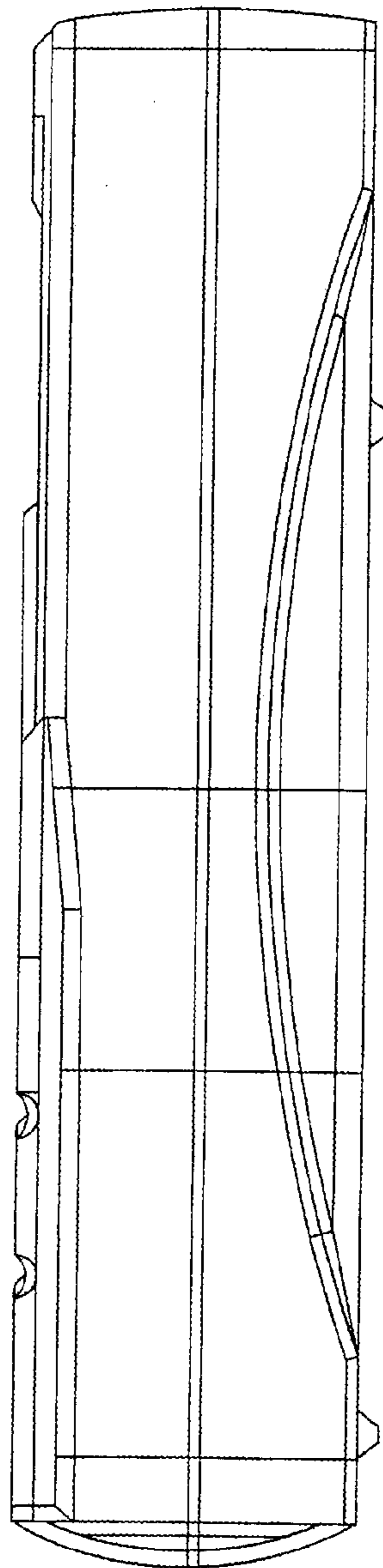




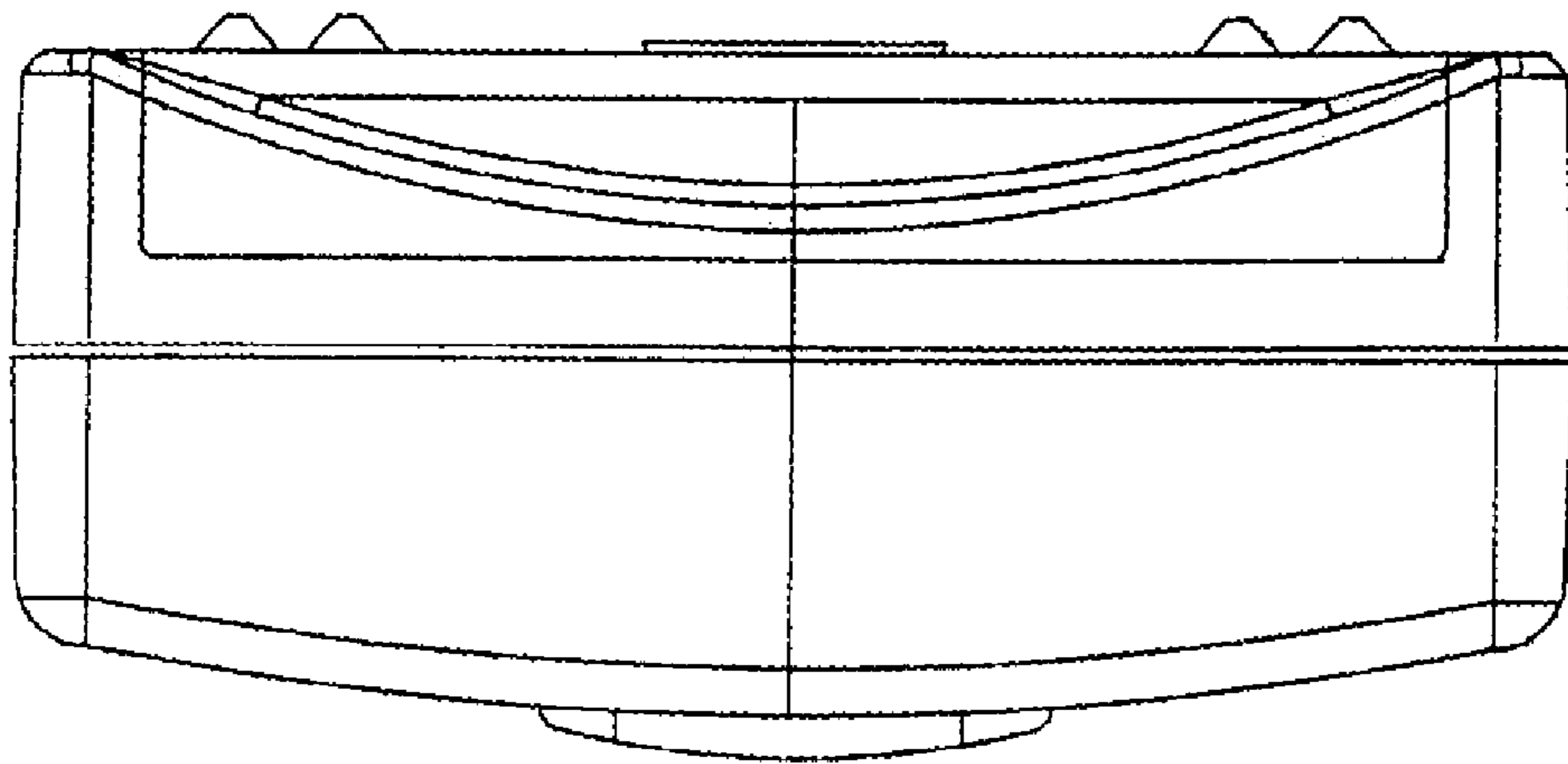
**FIG. 1**



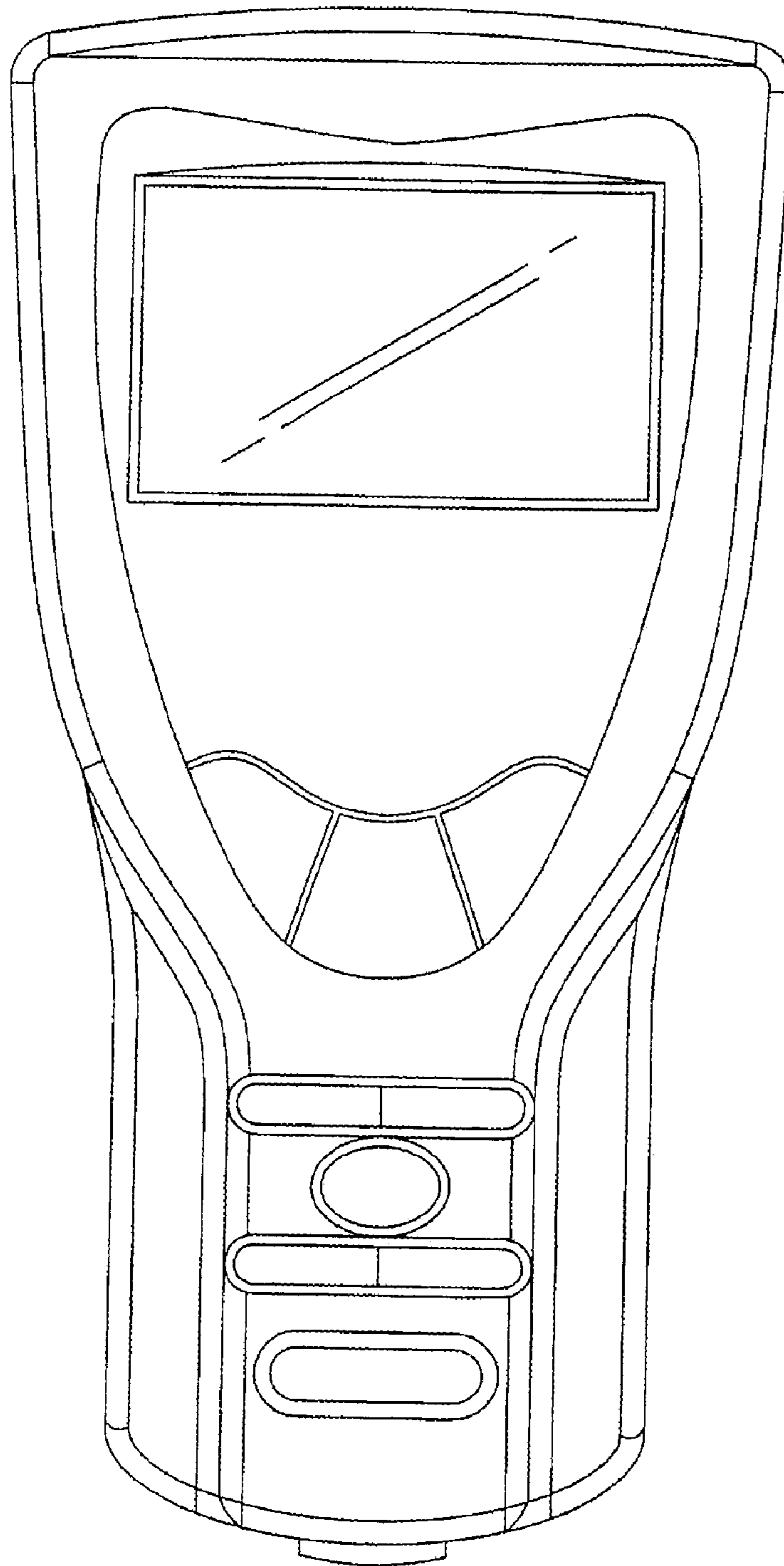
**FIG. 2**



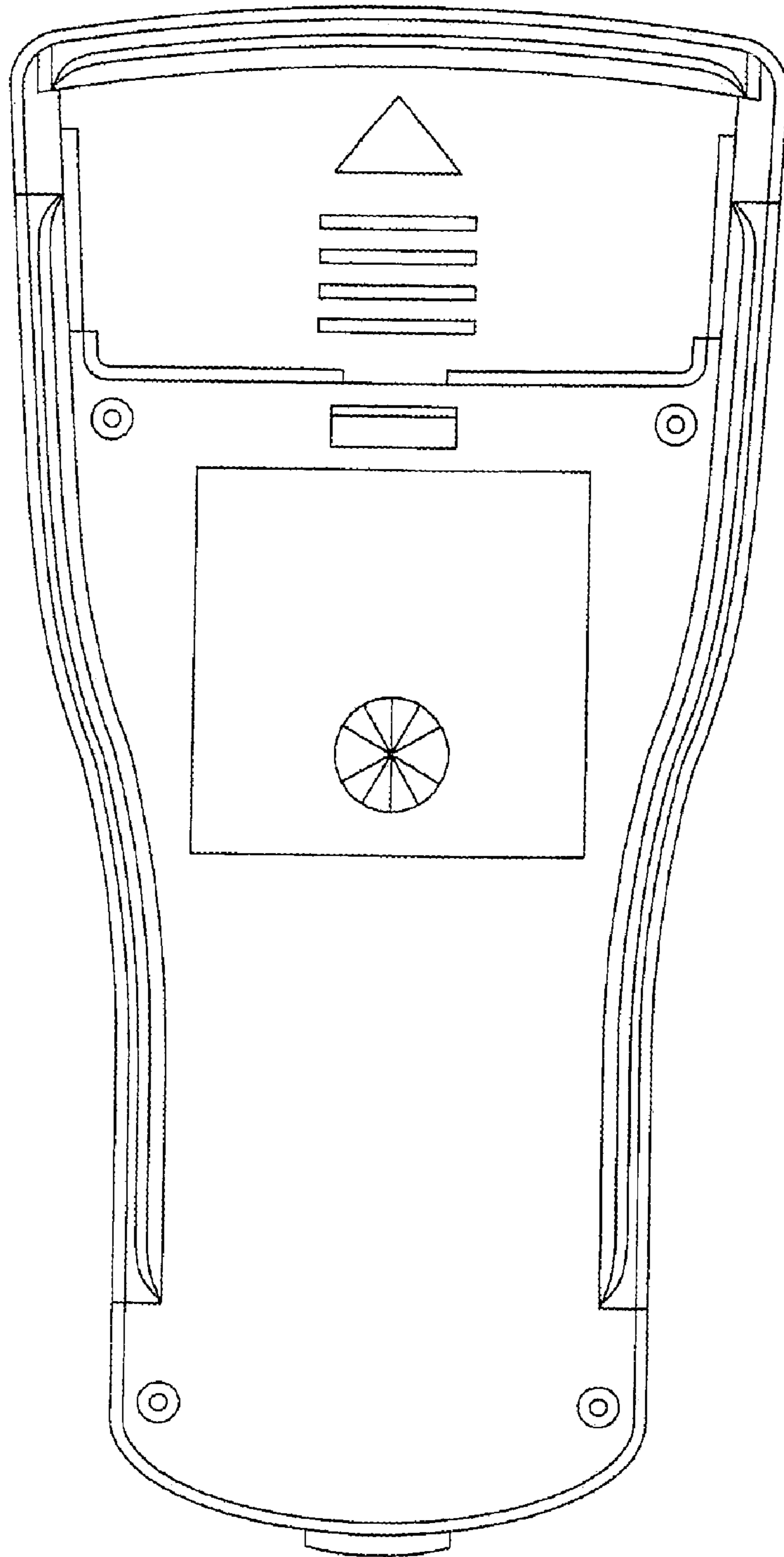
**FIG. 3**



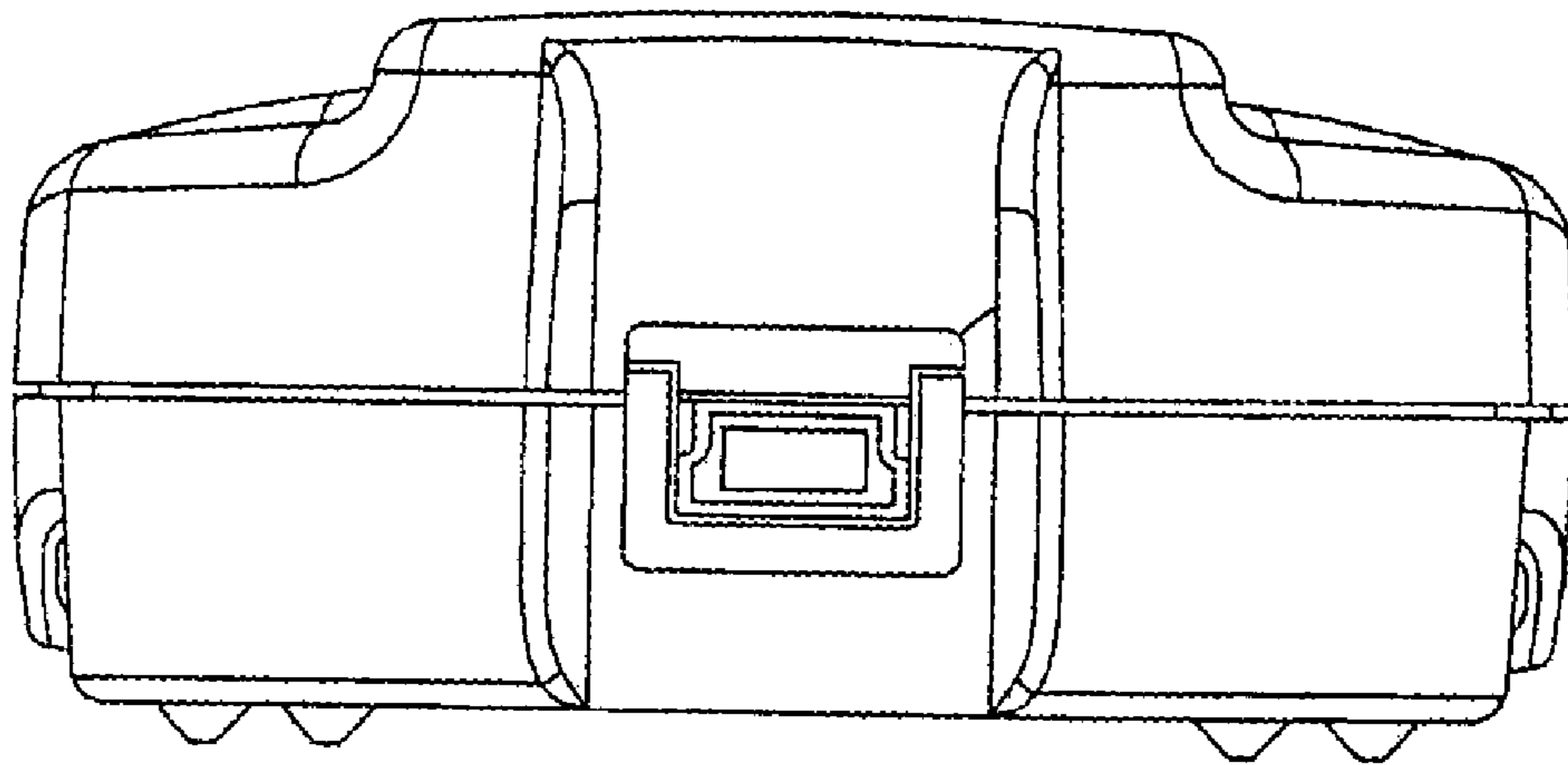
**FIG. 4**



**FIG. 5**



**FIG. 6**



**FIG. 7**