



US00D534442S

(12) **United States Design Patent**
Stekelenburg

(10) **Patent No.:** **US D534,442 S**

(45) **Date of Patent:** **** Jan. 2, 2007**

(54) **ADJUSTABLE TIMER HOUSING**

(76) **Inventor:** **Albert Stekelenburg**, 9th Fl., 102
Kuang-Fu S. Rd., Taipei (TW)

(**) **Term:** **14 Years**

(21) **Appl. No.:** **29/251,817**

(22) **Filed:** **Jan. 13, 2006**

(51) **LOC (8) Cl.** **10-03**

(52) **U.S. Cl.** **D10/40**

(58) **Field of Classification Search** D10/40,
D10/106; D13/138.1, 137.1, 137.3, 139.8,
D13/139.6

See application file for complete search history.

(56) **References Cited**

U.S. PATENT DOCUMENTS

3,925,629	A	*	12/1975	Albinger, Jr.	200/38	R
3,997,742	A	*	12/1976	Marquis	200/38	FB
D285,418	S	*	9/1986	Keichel	D10/40	
D288,177	S	*	2/1987	Yang	D10/40	
D352,472	S	*	11/1994	Chen	D10/40	
D352,667	S	*	11/1994	Chen	D10/40	
5,699,320	A	*	12/1997	Wan	368/10	
D389,753	S	*	1/1998	Wan	D10/40	

D391,177	S	*	2/1998	Stekelenburg	D10/40	
D449,235	S	*	10/2001	Stekelenburg	D10/40	
D449,543	S	*	10/2001	Stekelenburg	D10/40	
D450,604	S	*	11/2001	Stekelenburg	D10/40	
D466,420	S	*	12/2002	Chen	D10/40	
D520,451	S	*	5/2006	Stekelenburg	D13/137.3	

* cited by examiner

Primary Examiner—Lucy Lieberman

(74) *Attorney, Agent, or Firm*—Troxell Law Office PLLC

(57) **CLAIM**

The ornamental design for an adjustable timer housing, as shown and described.

DESCRIPTION

FIG. 1 is a top view of an adjustable timer housing showing my new design;

FIG. 2 is a front view thereof;

FIG. 3 is a right side elevational view thereof;

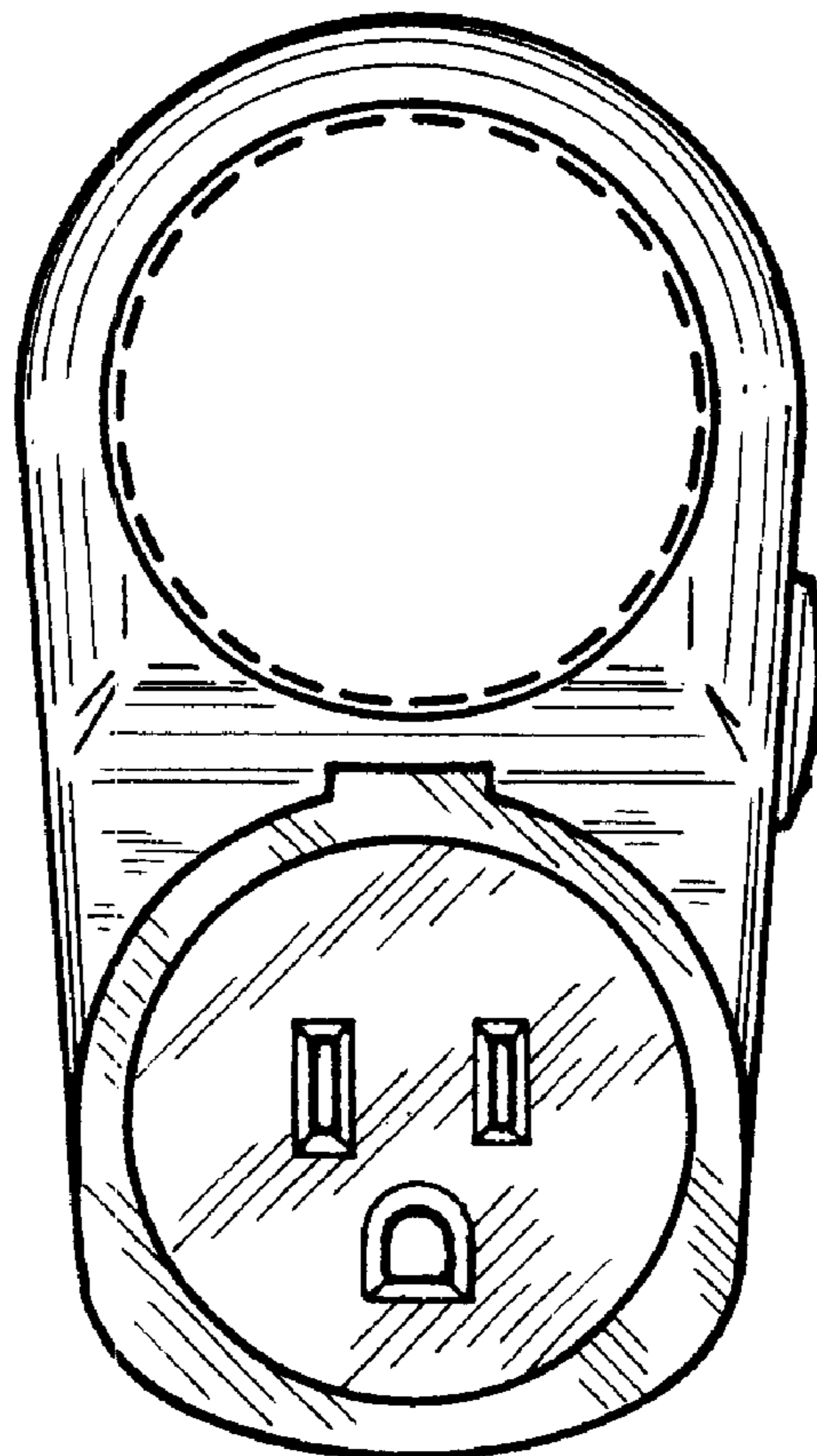
FIG. 4 is a bottom view thereof;

FIG. 5 is a left side view thereof; and,

FIG. 6 is a rear view thereof.

The broken lines shown in FIGS. 1 through 5 are for illustrative purposes only and do not form part of the claimed design.

1 Claim, 2 Drawing Sheets



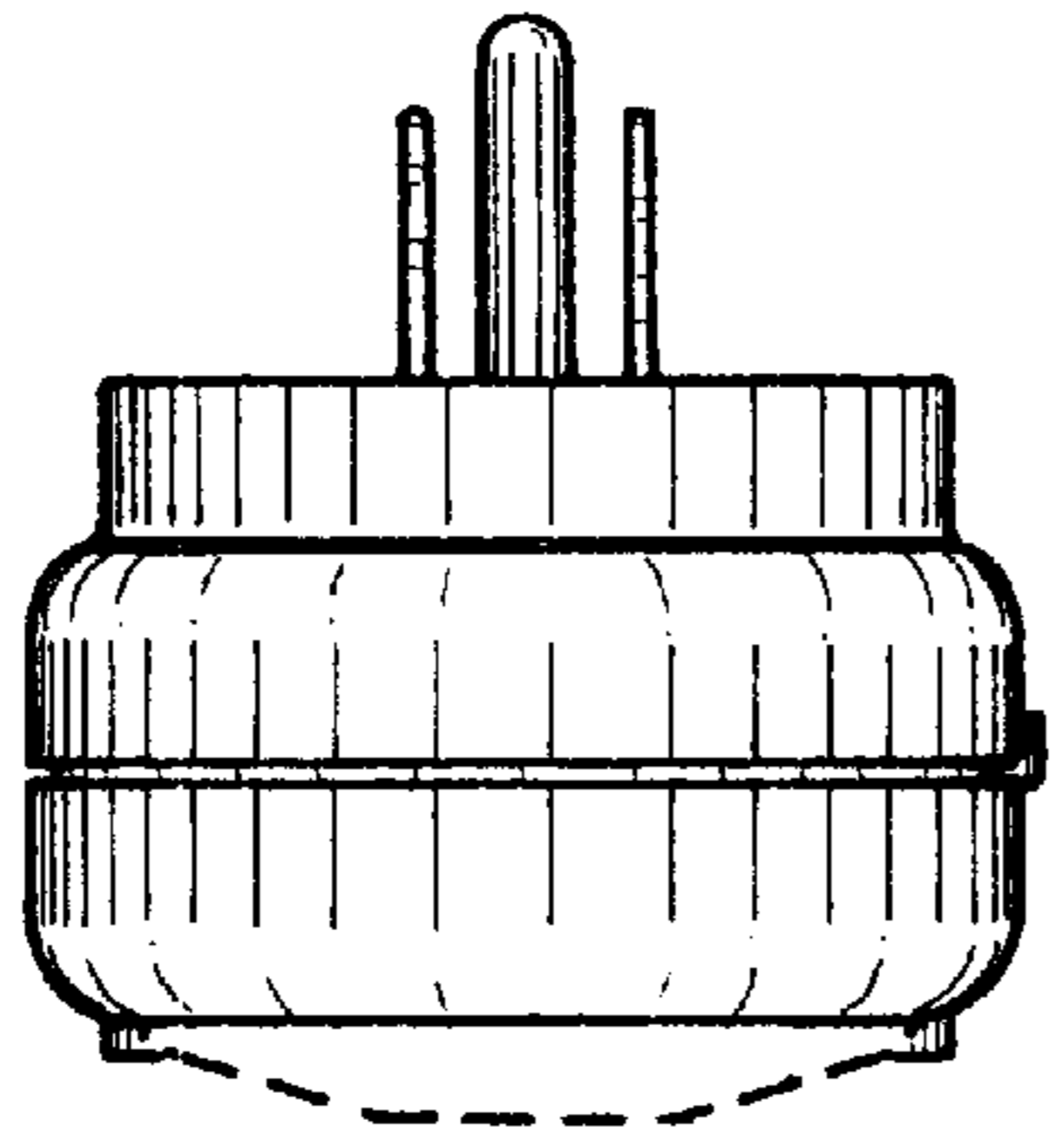


FIG. 1

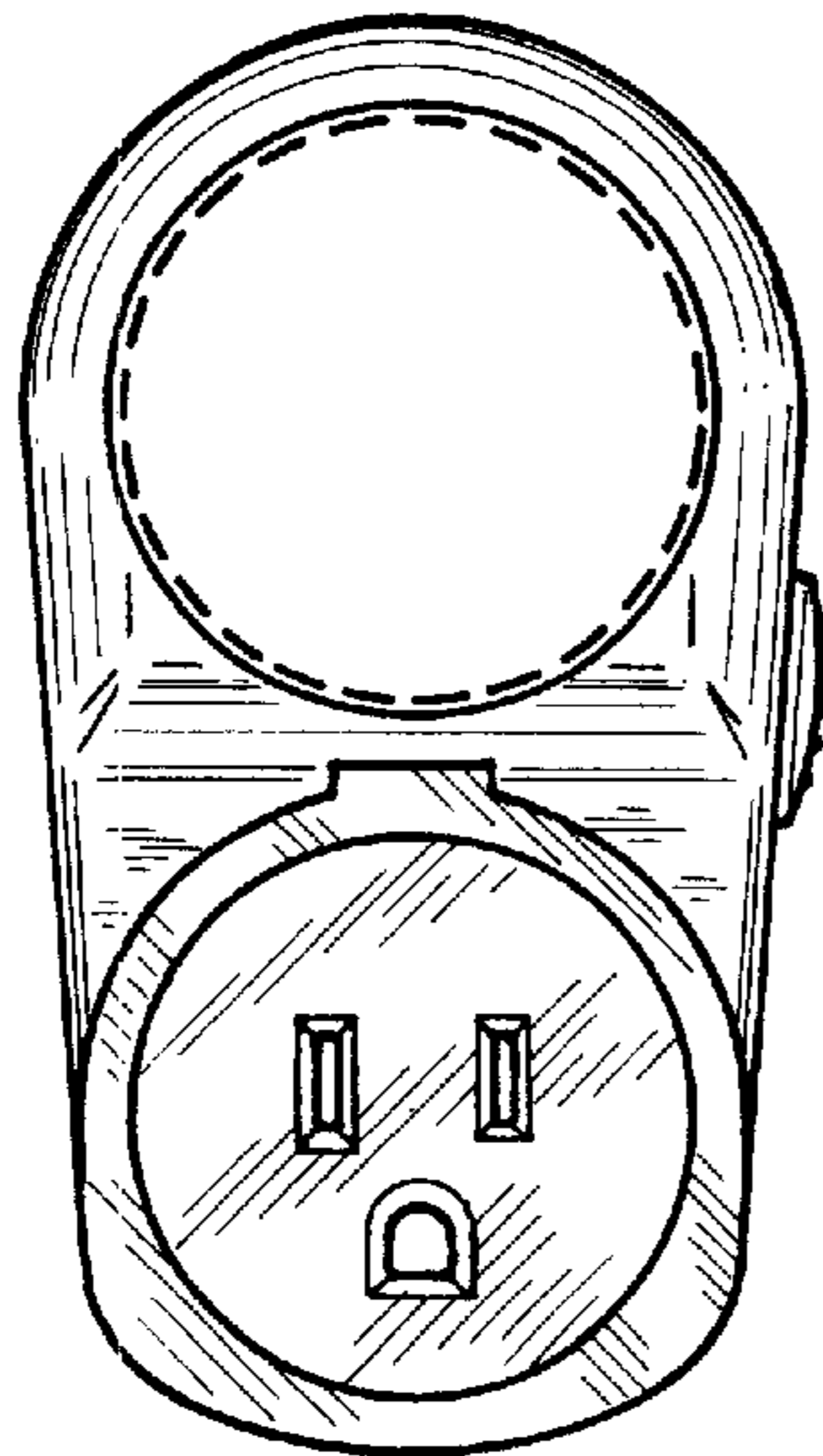


FIG. 2

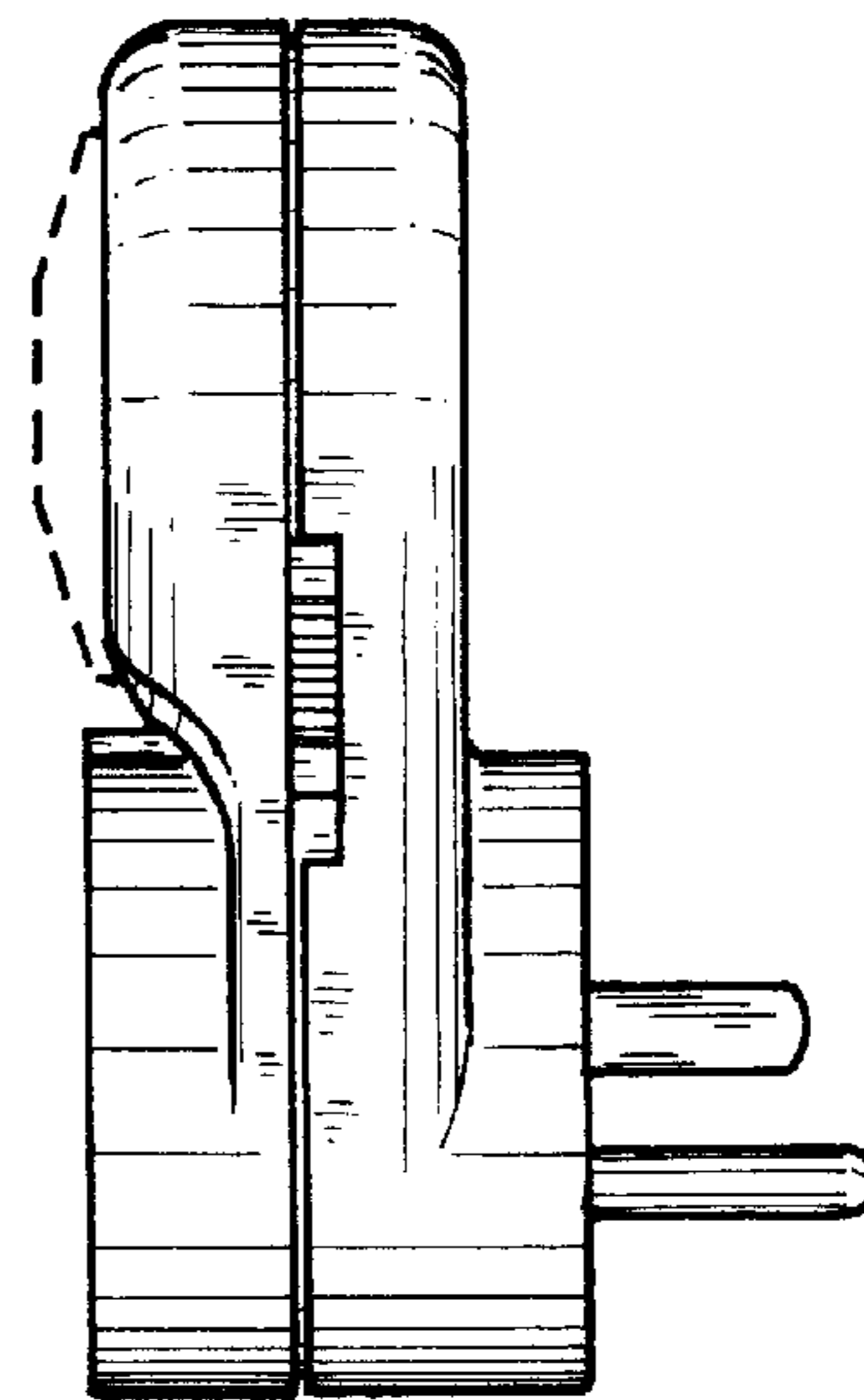


FIG. 3

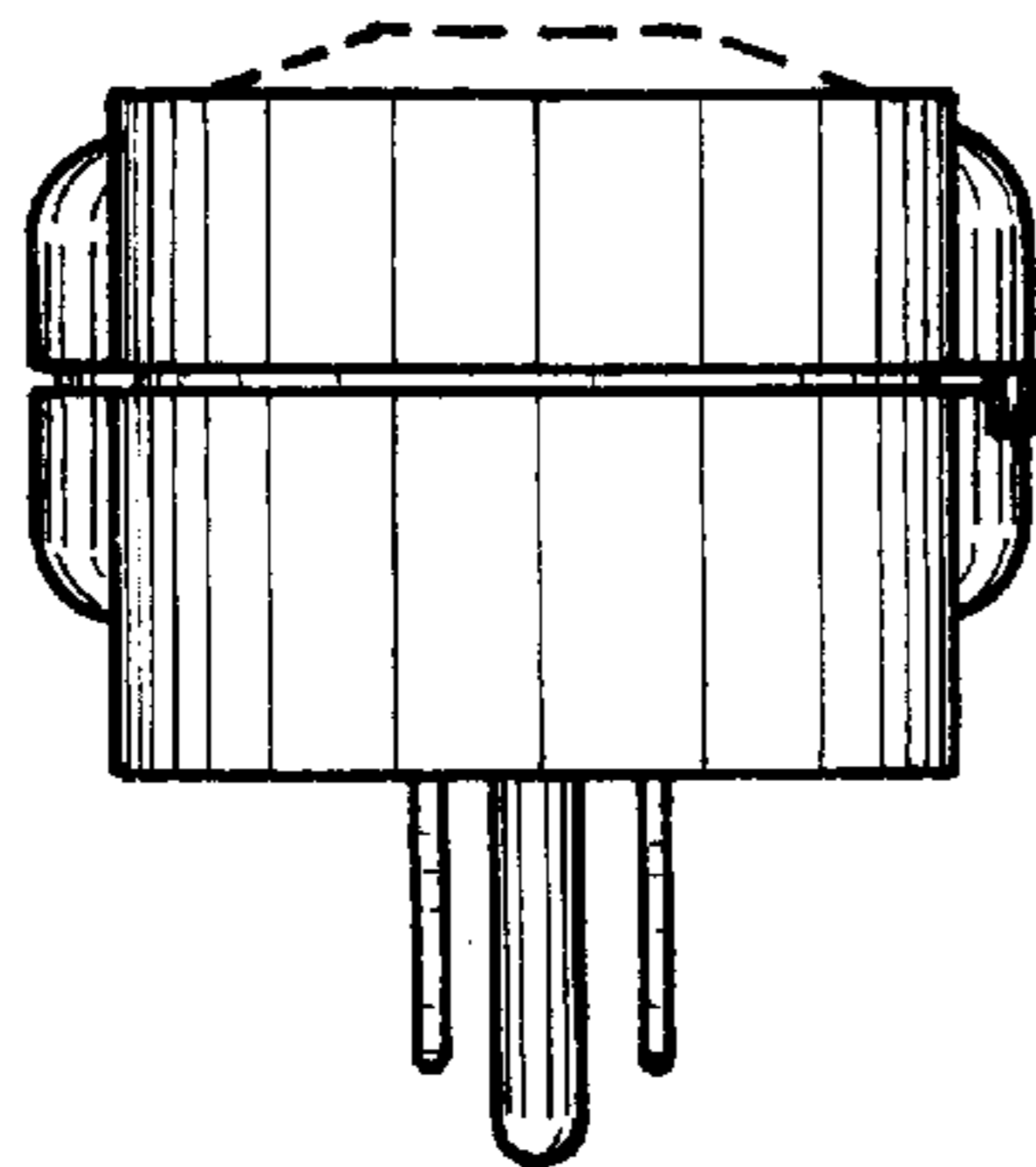


FIG. 4

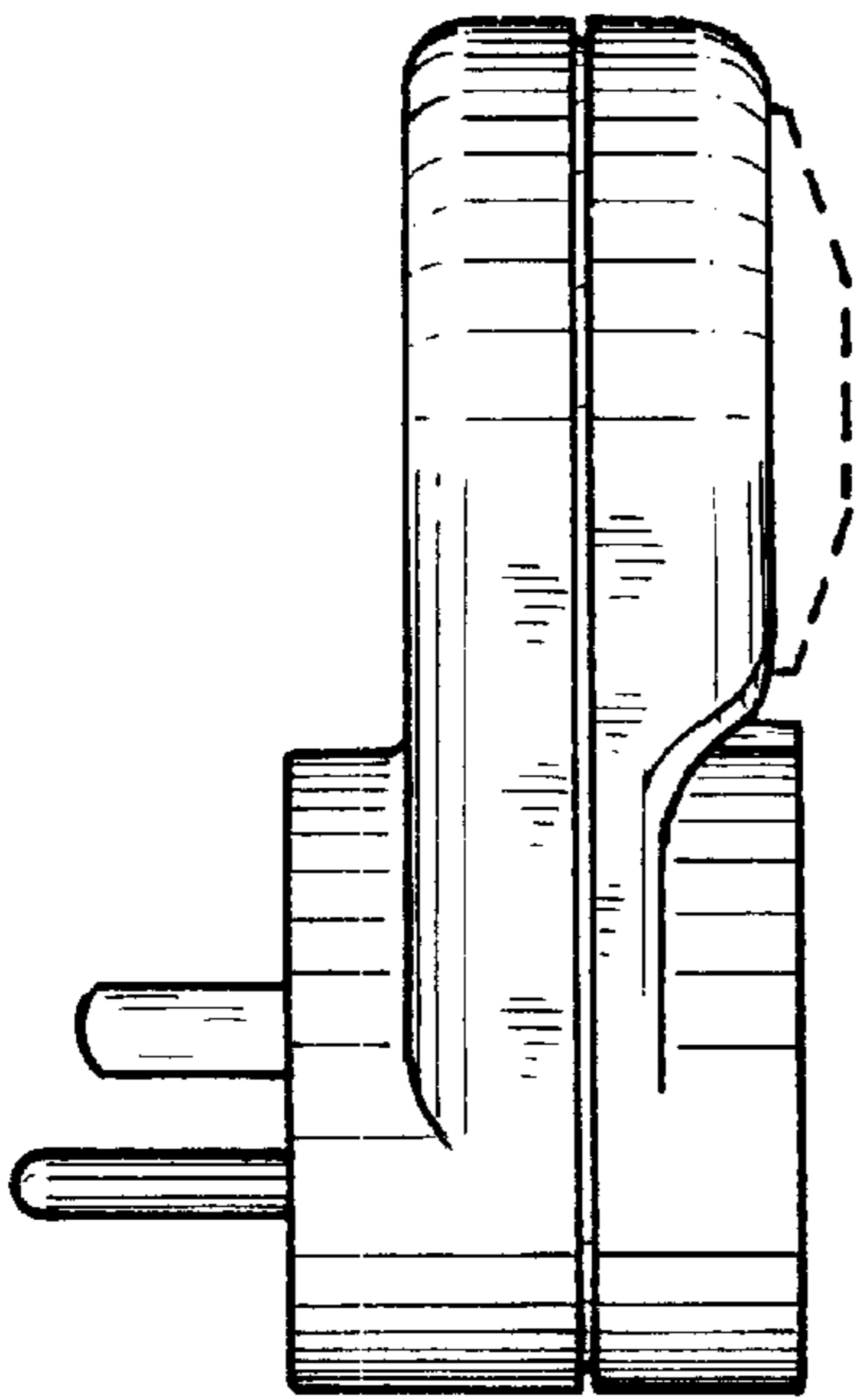


FIG. 5

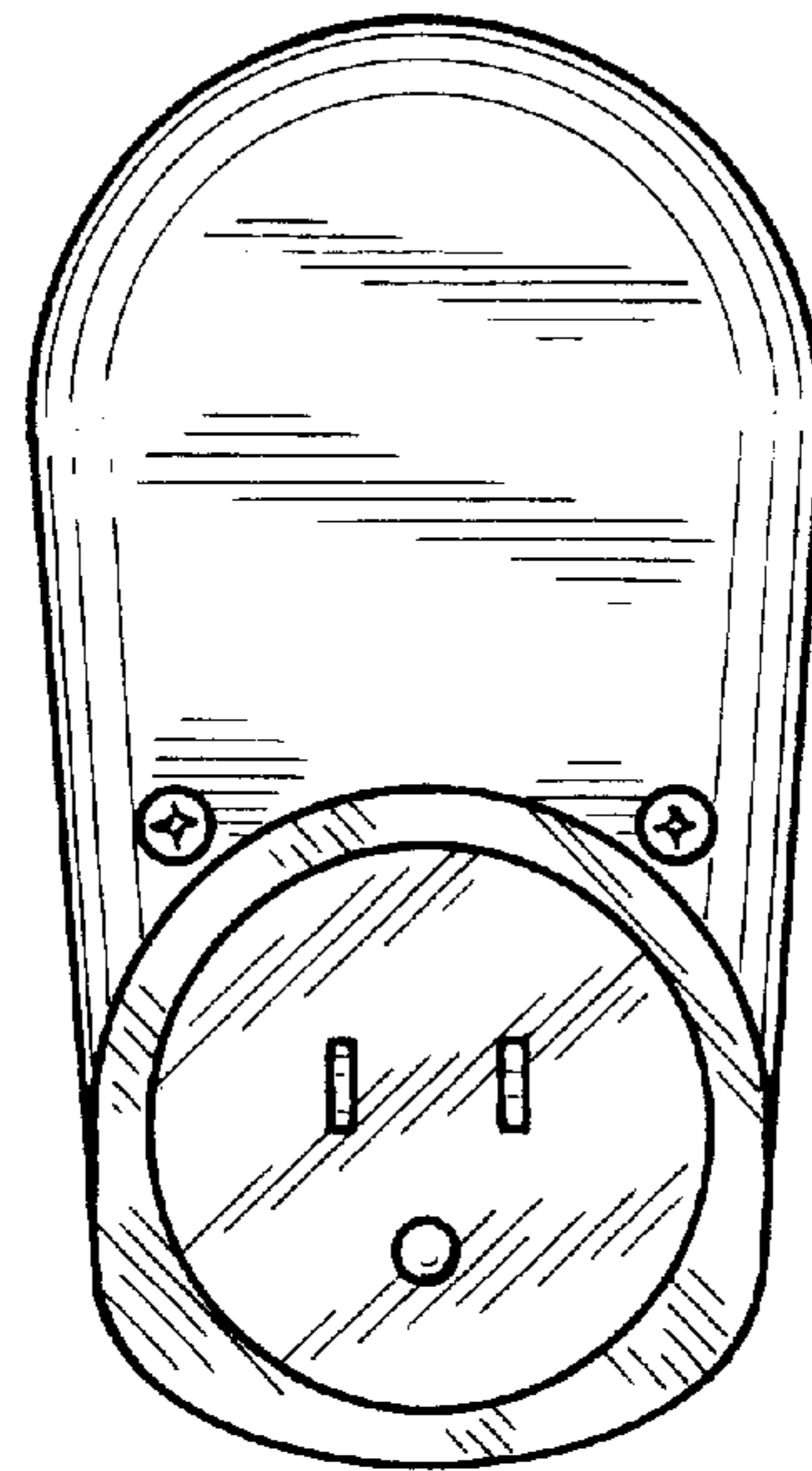


FIG. 6