



US00D534435S

(12) **United States Design Patent**  
**Chadfield**

(10) **Patent No.:** **US D534,435 S**

(45) **Date of Patent:** **\*\* Jan. 2, 2007**

(54) **PROPEL/REPEL DISPENSING CONTAINER**

(75) Inventor: **Robert W. Chadfield**, Chaska, MN  
(US)

(73) Assignee: **Federal Package Network, Inc.**,  
Chaska, MN (US)

(\*\*) Term: **14 Years**

(21) Appl. No.: **29/236,151**

(22) Filed: **Aug. 12, 2005**

(51) **LOC (8) Cl.** ..... **09-01**

(52) **U.S. Cl.** ..... **D9/729**

(58) **Field of Classification Search** ..... D9/424,  
D9/448, 500, 502-504, 529, 546, 549, 556,  
D9/558, 559, 569, 723, 726-729; D28/4,  
D28/7, 9, 73, 76, 85, 88, 89, 90; D19/66;  
D7/213; 206/407, 823, 265, 385, 235; 220/788,  
220/916

See application file for complete search history.

(56) **References Cited**

**U.S. PATENT DOCUMENTS**

D69,468 S	*	2/1926	Vogler	.....	D9/529
D136,511 S	*	10/1943	Barnes	.....	D7/213
D182,950 S	*	6/1958	Du Pree	.....	D9/546
D195,148 S	*	4/1963	Marchant	.....	D9/529
D262,265 S	*	12/1981	Hadtke et al.	.....	D9/729
D292,069 S	*	9/1987	Keeler et al.	.....	D9/729
D294,183 S	*	2/1988	Hiesse	.....	D28/7

D301,837 S	*	6/1989	Peterson et al.	.....	D9/529
D309,860 S	*	8/1990	Fossati	.....	D9/529
D310,171 S	*	8/1990	Cusenza	.....	D9/529
5,139,164 A	*	8/1992	Stewart	.....	220/788
D354,434 S	*	1/1995	Nilssen	.....	D9/729
D373,728 S	*	9/1996	Moore	.....	D9/448

\* cited by examiner

*Primary Examiner*—Mitchell Siegel

*Assistant Examiner*—Shanda C. Hill

(74) *Attorney, Agent, or Firm*—Breiner & Breiner, L.L.C.

(57) **CLAIM**

The ornamental design for a propel/repel dispensing container, as shown and described.

**DESCRIPTION**

FIG. 1 is a front view of the first embodiment of a propel/repel dispensing container showing my new design;

FIG. 2 is a top view thereof;

FIG. 3 is a bottom view thereof;

FIG. 4 is a side view thereof, wherein the opposite side view is the same;

FIG. 5 is a perspective view thereof;

FIG. 6 is a front view of the second embodiment of a propel/repel dispensing container;

FIG. 7 is a side view thereof, wherein the opposite side view is the same; and,

FIG. 8 is a bottom view thereof, wherein the top view is the same as FIG. 2.

**1 Claim, 2 Drawing Sheets**

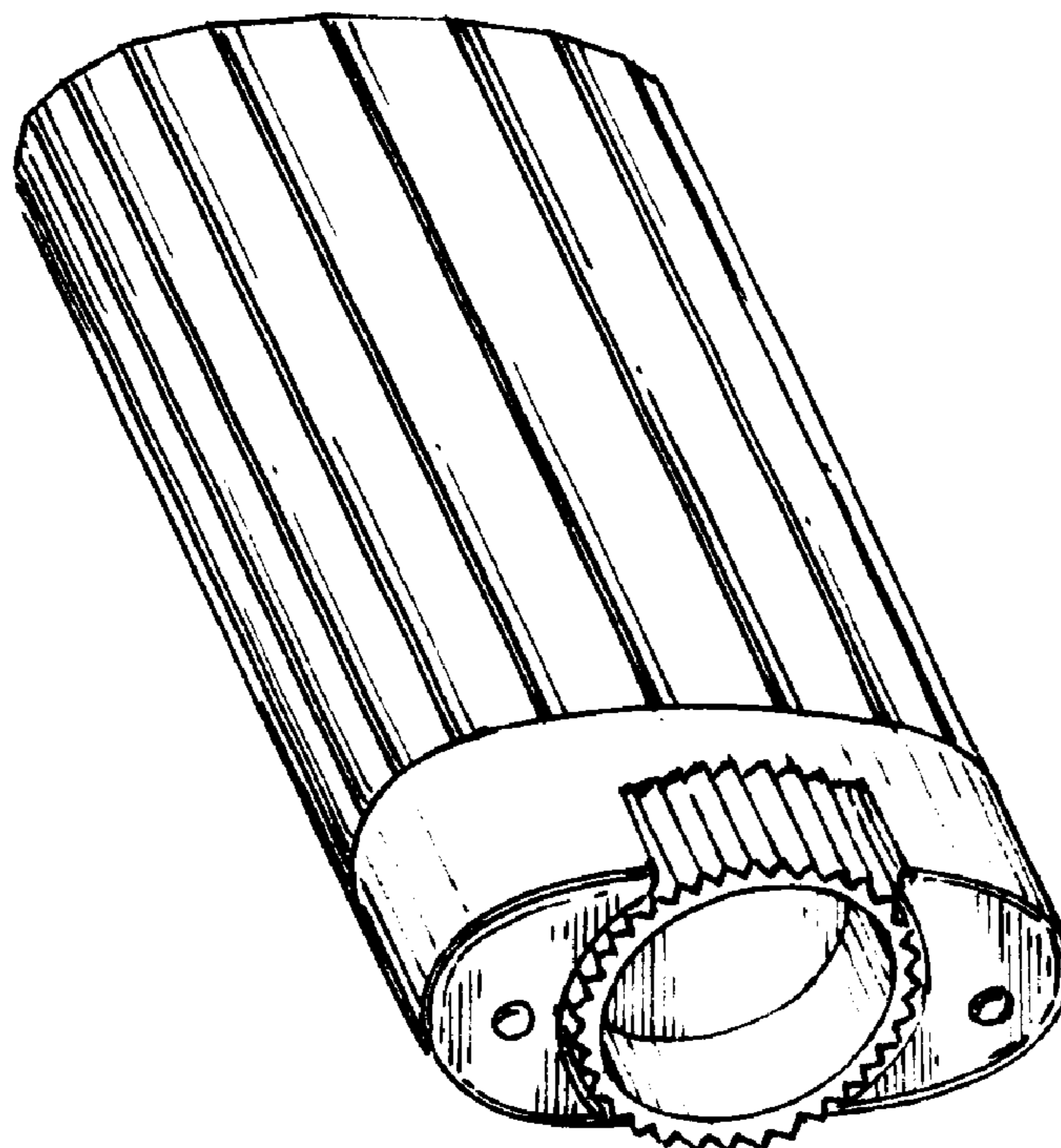


FIG. 2

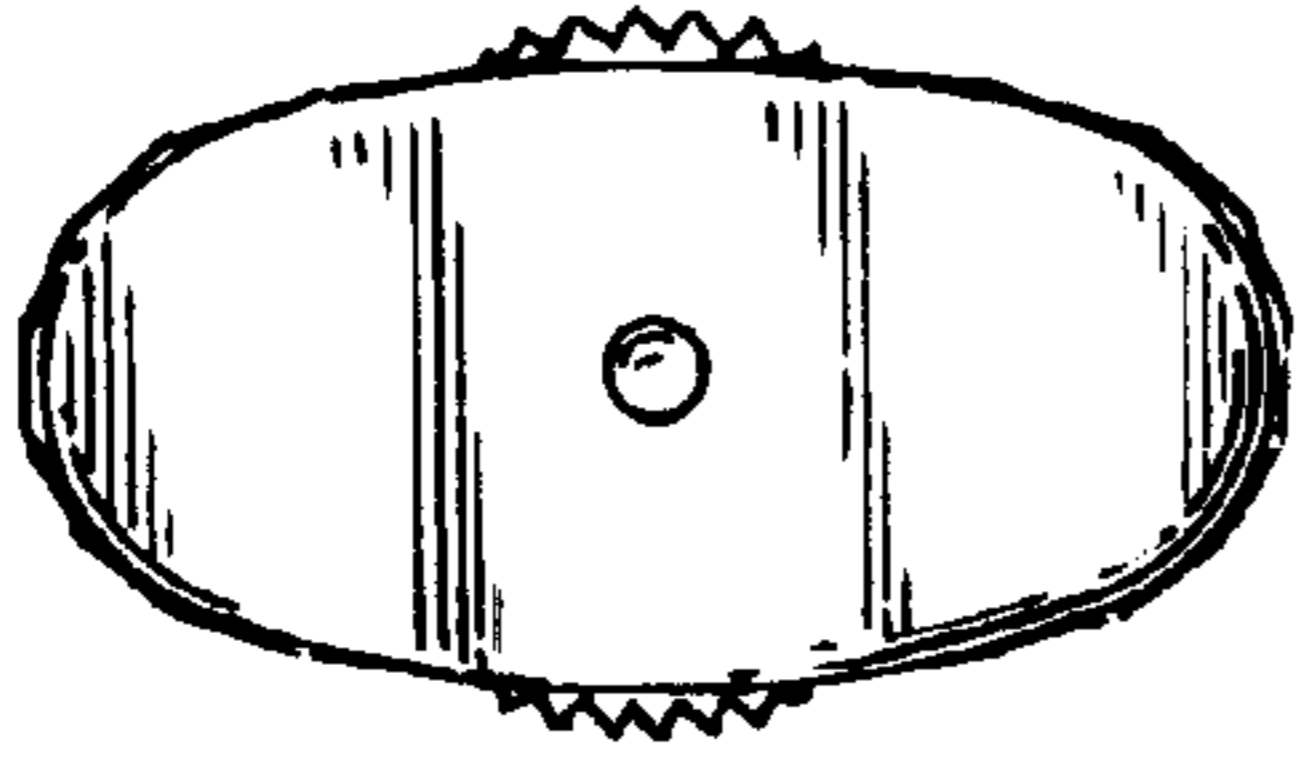


FIG. 1



FIG. 4

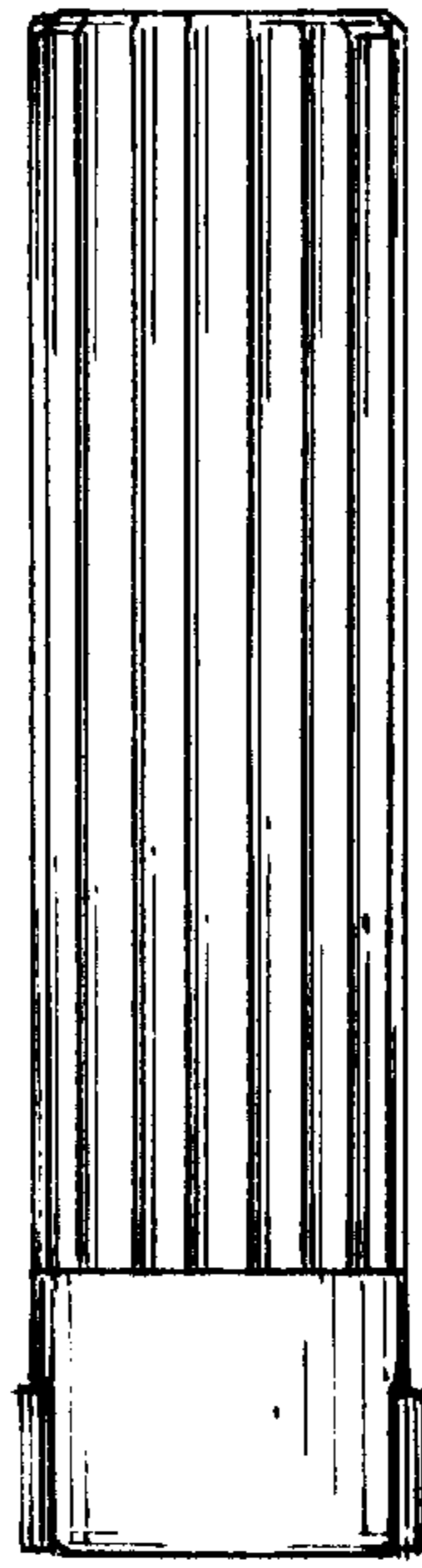


FIG. 3

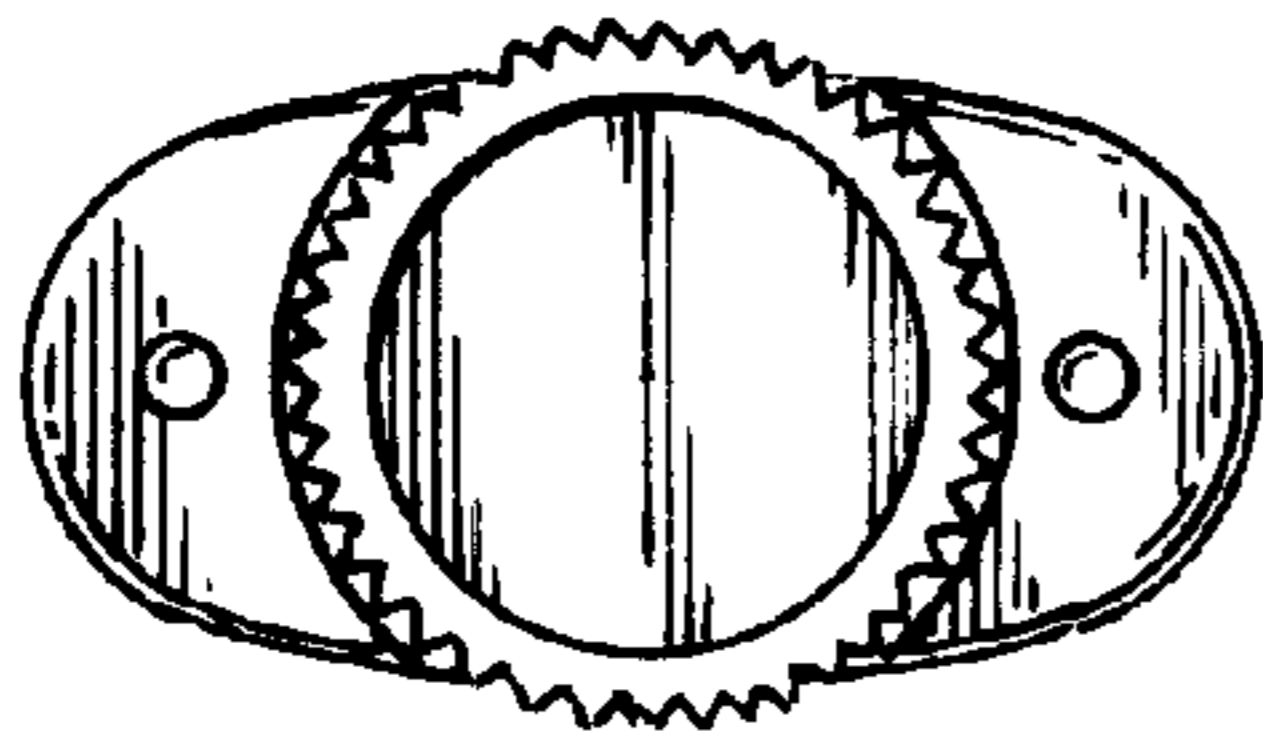
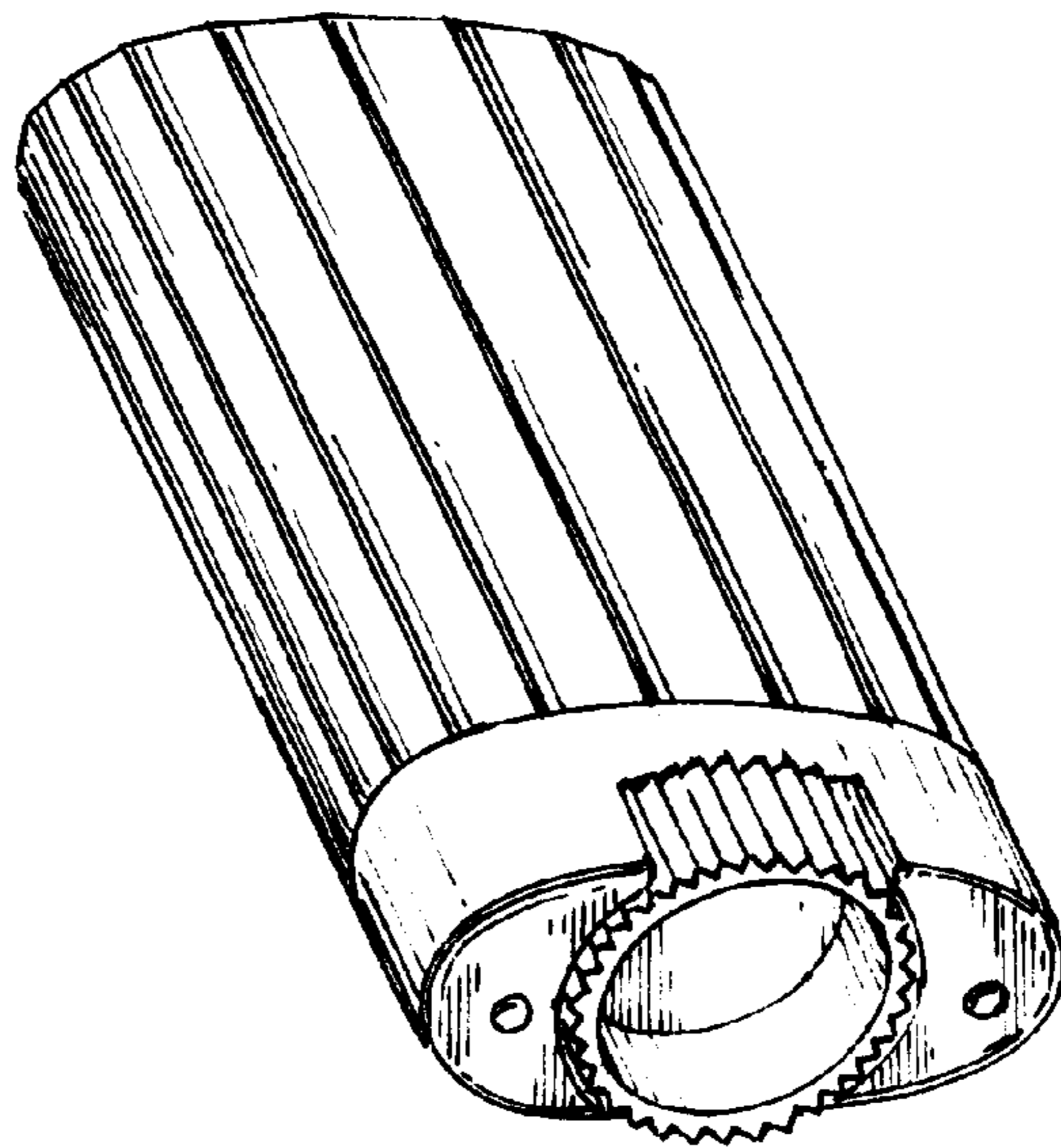
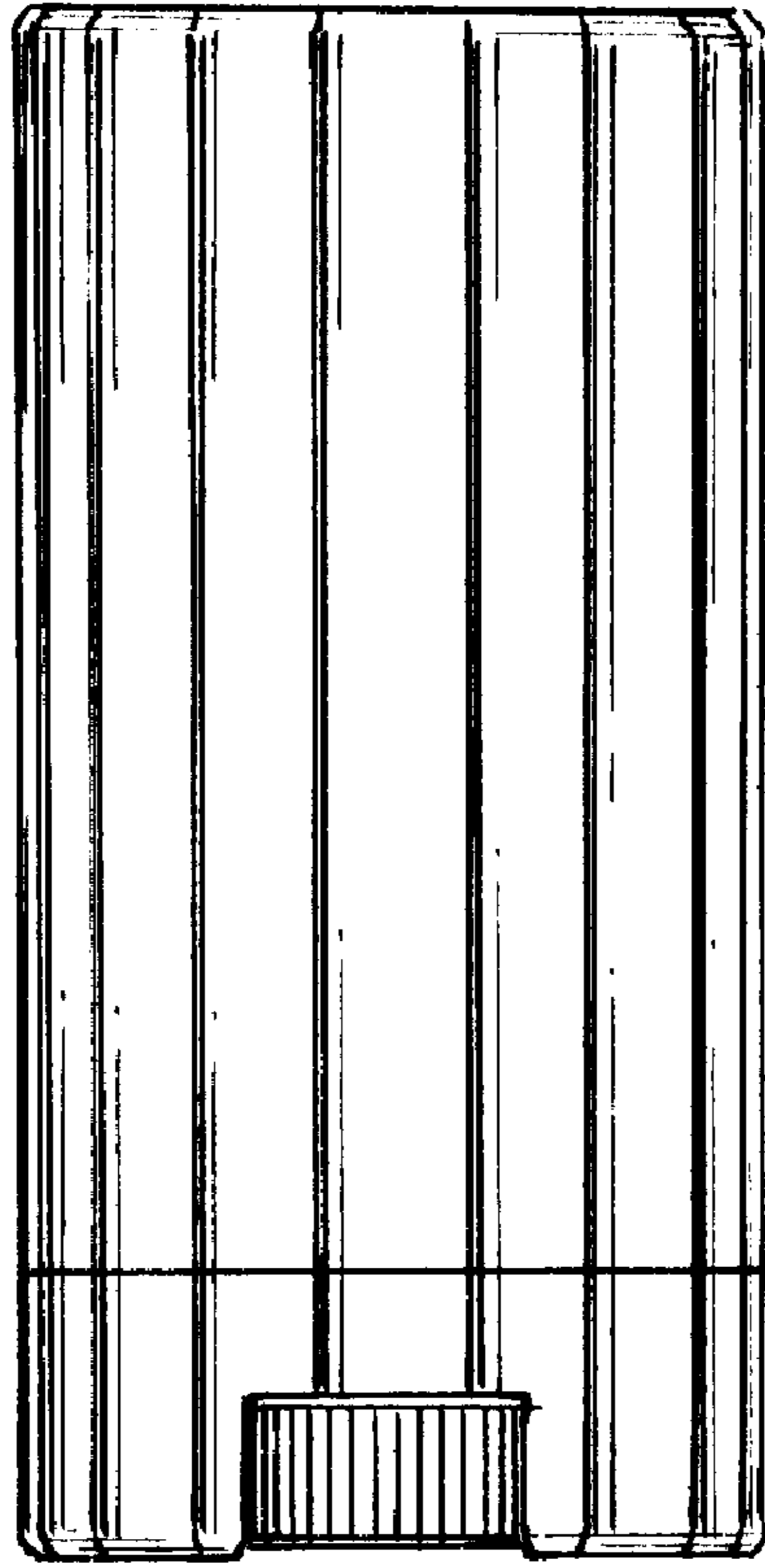


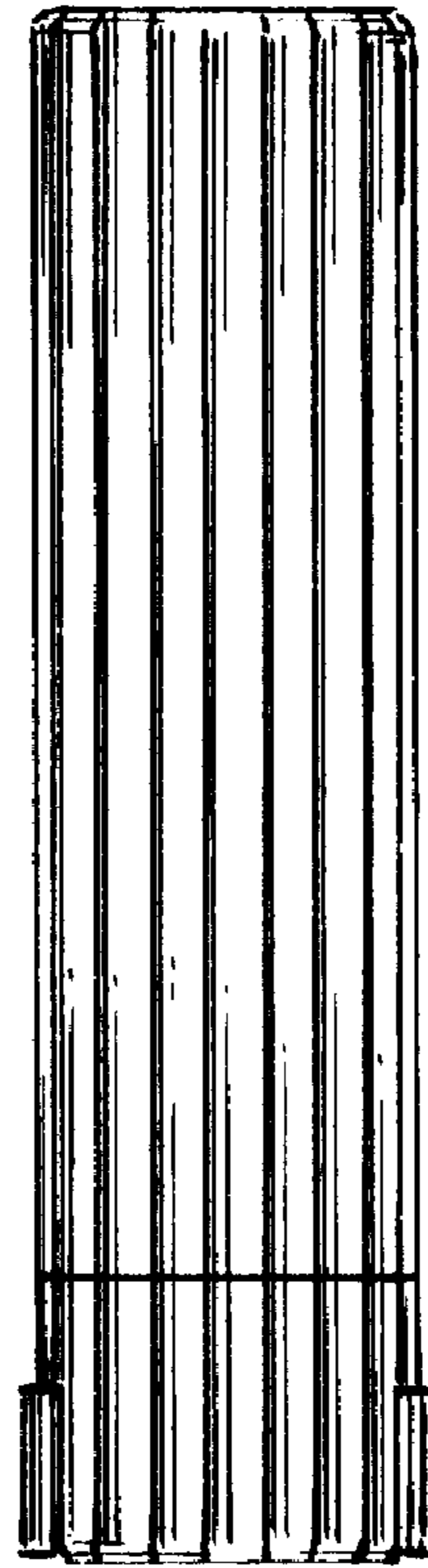
FIG. 5



*FIG. 6*



*FIG. 7*



*FIG. 8*

