



US00D534432S

(12) **United States Design Patent**  
**Wallwork**

(10) **Patent No.:** **US D534,432 S**

(45) **Date of Patent:** **\*\* Jan. 2, 2007**

(54) **BOTTLE**

(75) Inventor: **Martyn Wallwork**, London (GB)

(73) Assignee: **Coors European Properties, GmbH**  
**Schaffhausen Branch** (CH)

(\*\*) Term: **14 Years**

(21) Appl. No.: **29/199,204**

(22) Filed: **Feb. 9, 2004**

(30) **Foreign Application Priority Data**

Aug. 8, 2003 (GB) ..... 3013993  
Oct. 29, 2003 (EM) ..... 000093729

(51) **LOC (8) Cl.** ..... **09-01**

(52) **U.S. Cl.** ..... **D9/552; D9/554**

(58) **Field of Classification Search** ..... D9/600,  
D9/516, 640, 649, 682, 686-694, 537-546,  
D9/549, 552-554, 556-558, 565-567, 569-570,  
D9/574-575; 215/381-385, 396, 398, 12.1-12.2,  
215/13.1; 220/660, 662, 666, 559-670, 674-675  
See application file for complete search history.

(56) **References Cited**

**U.S. PATENT DOCUMENTS**

1,079,403 A \* 11/1913 Crecelius ..... 215/266  
D71,588 S \* 12/1926 Jester ..... D9/600  
D201,260 S \* 6/1965 Roberts ..... D9/552  
D270,039 S \* 8/1983 Lipscombe ..... D9/549 X  
D332,225 S \* 1/1993 Perret ..... D9/553  
D366,209 S \* 1/1996 Farlander et al. .... D9/649

D368,854 S \* 4/1996 Burnett et al. .... D9/649  
D370,178 S \* 5/1996 Petre et al. .... D9/554  
D395,002 S \* 6/1998 Monahan ..... D9/649  
D422,490 S \* 4/2000 Nemeth et al. .... D9/649  
D438,800 S \* 3/2001 Brant et al. .... D9/451  
D451,403 S \* 12/2001 Duboeuf et al. .... D9/554  
D454,791 S \* 3/2002 Trabal ..... D9/554  
6,382,440 B1 \* 5/2002 Brant et al. .... 215/230  
D458,144 S \* 6/2002 Trabal ..... D9/554  
D463,289 S \* 9/2002 Haake et al. .... D9/554

**OTHER PUBLICATIONS**

Evian "Evian Natural Mineral Water", four (4) color photographs of a bottle design.

\* cited by examiner

*Primary Examiner*—Carol Rademaker

(57) **CLAIM**

The ornamental design for a bottle, as shown and described.

**DESCRIPTION**

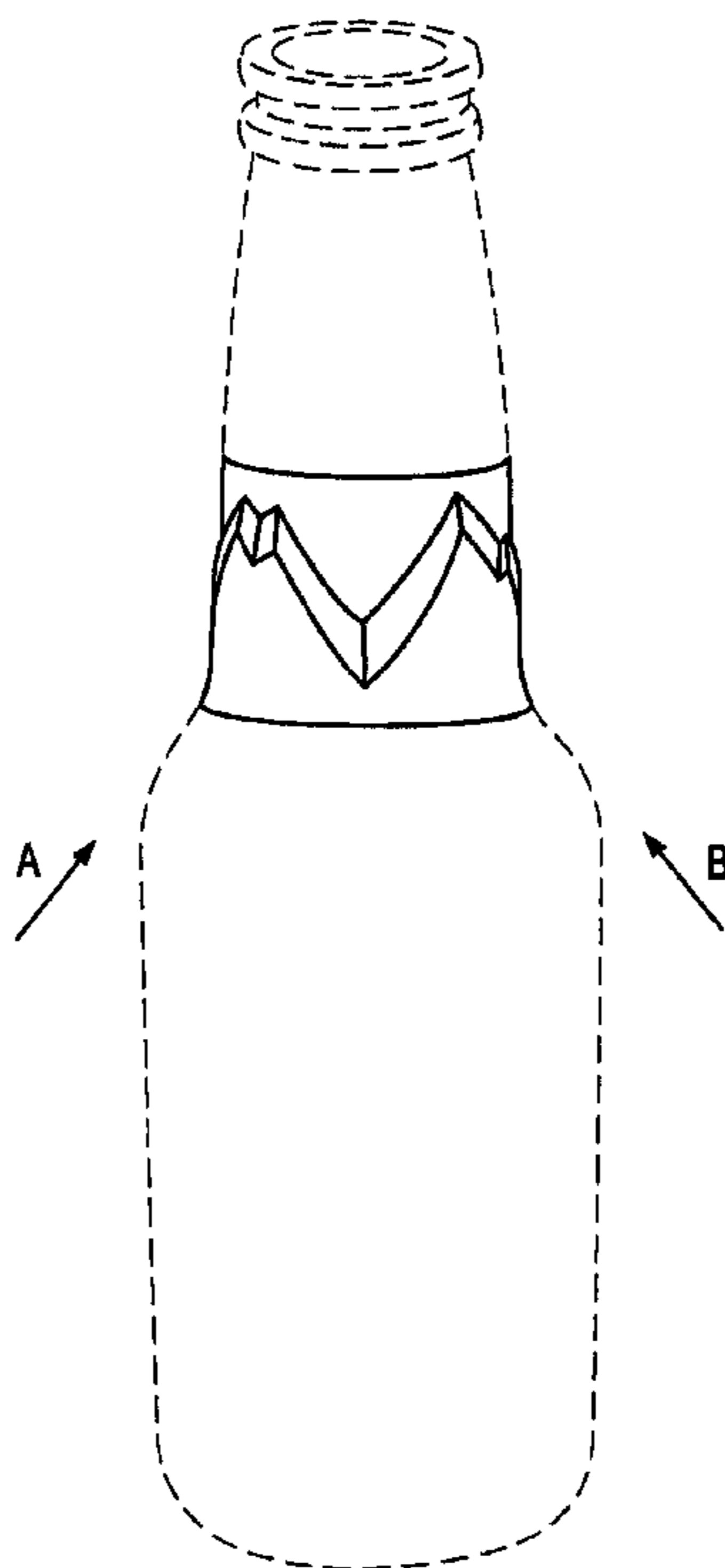
FIG. 1 is a front perspective view of a bottle showing my new design;

FIG. 2 is a right side elevational view thereof, taken from the direction of arrow "B" in FIG. 1; and,

FIG. 3 is a left side elevational view thereof, taken from the direction of arrow "A" in FIG. 1.

The broken lines shown in the drawings are for environmental purposes only and form no part of the claimed design.

**1 Claim, 3 Drawing Sheets**



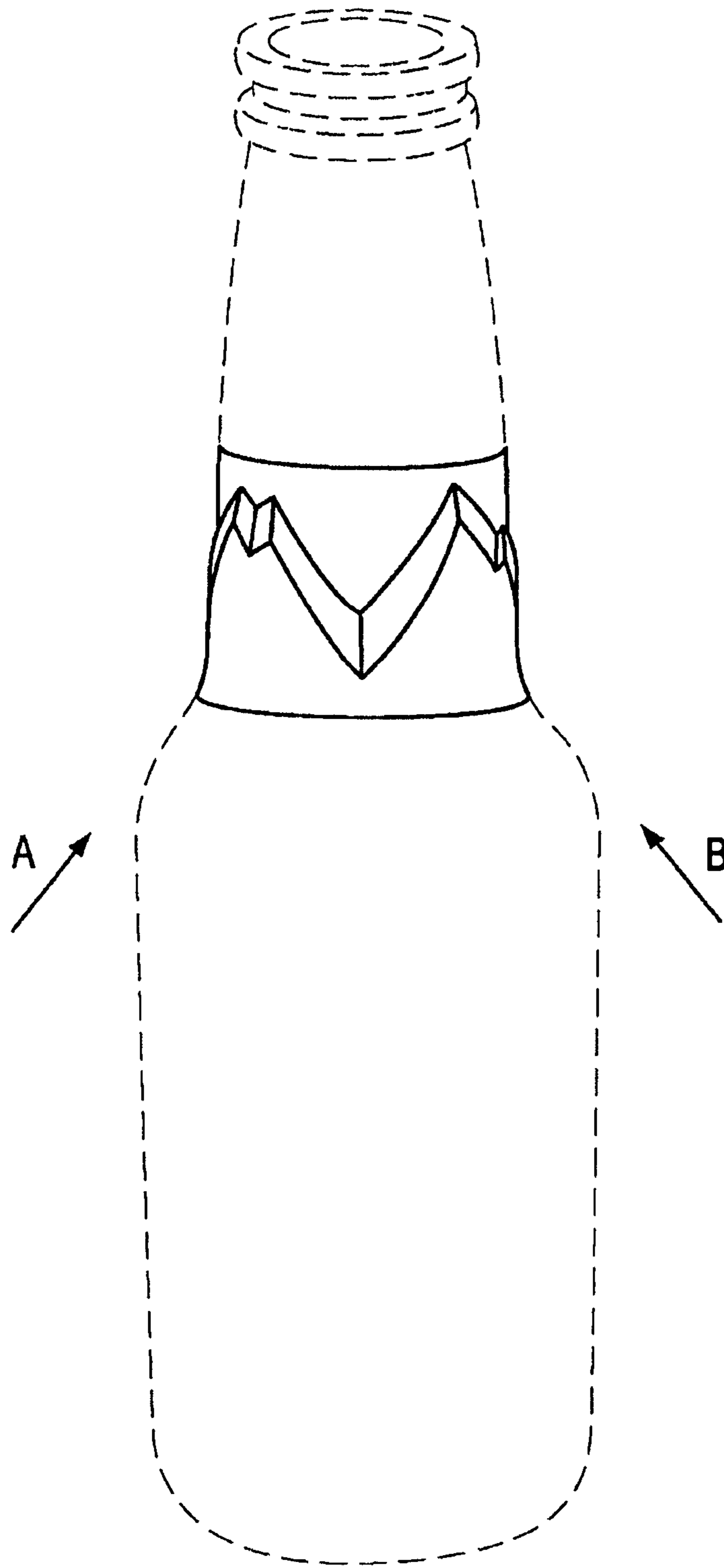


FIG.1

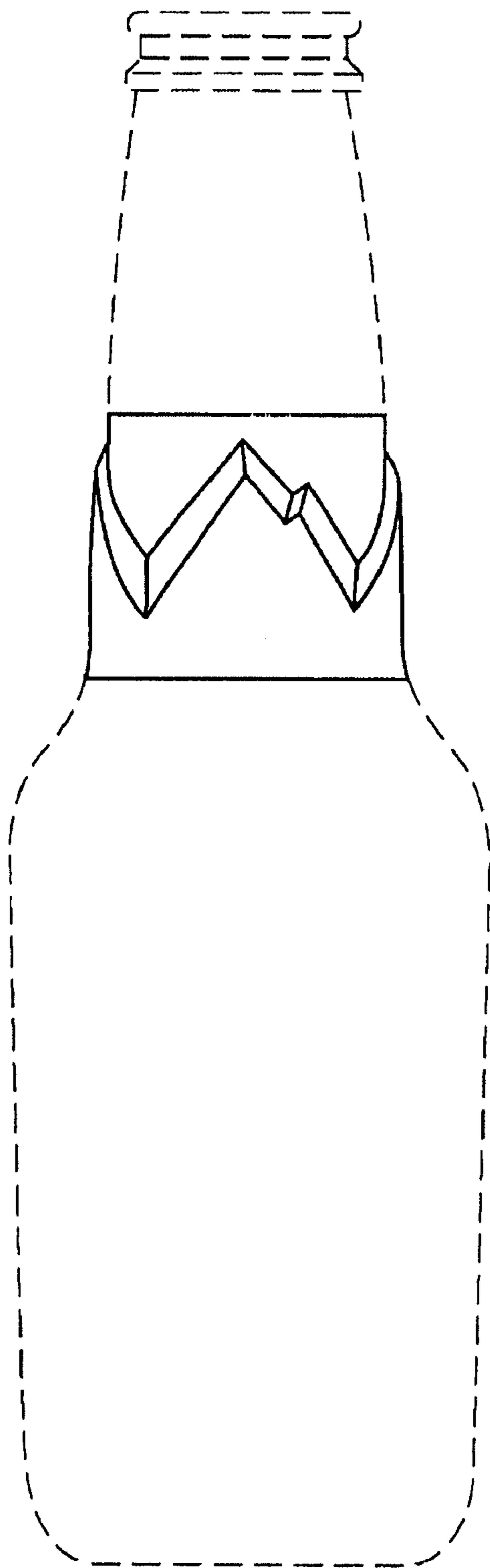


FIG.2

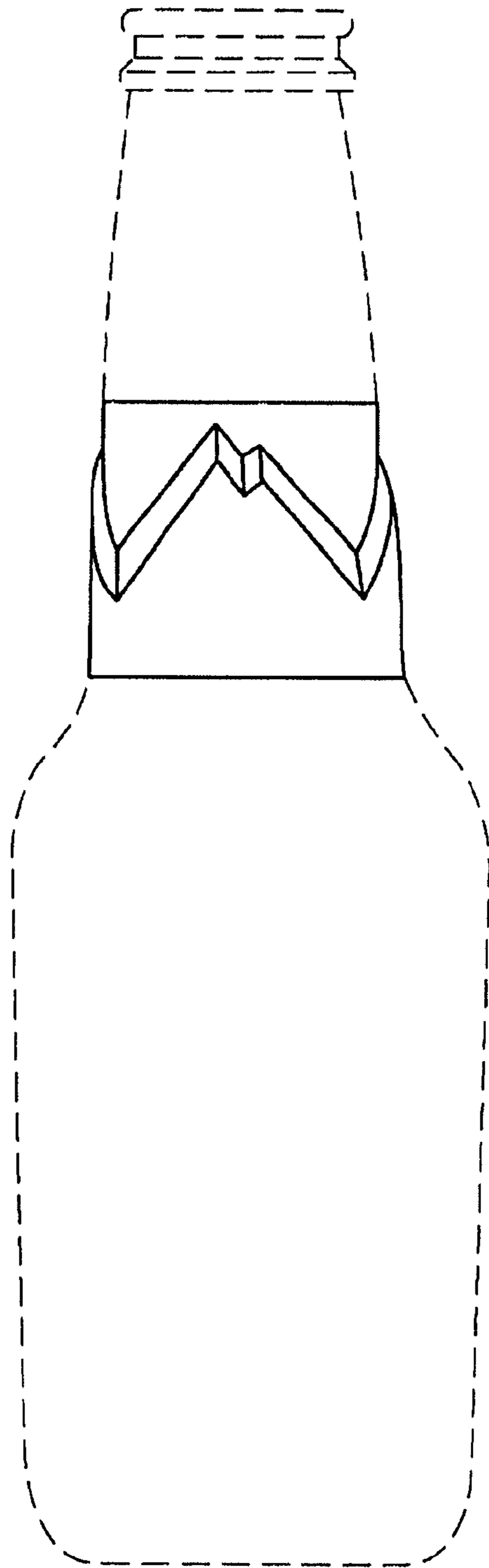


FIG.3