



US00D534431S

(12) **United States Design Patent**
Harrell et al.

(10) **Patent No.:** **US D534,431 S**

(45) **Date of Patent:** **** Jan. 2, 2007**

(54) **BEVERAGE BOTTLE**

(76) Inventors: **Rodney Harrell**, 6536 Meadowlark Dr.,
Montgomery, AL (US) 36116; **Milton**
Littlejohn, 156 Fisher Dr.,
Montgomery, AL (US) 36115

(**) Term: **14 Years**

(21) Appl. No.: **29/254,650**

(22) Filed: **Feb. 27, 2006**

(51) **LOC (8) Cl.** **09-01**

(52) **U.S. Cl.** **D9/531**

(58) **Field of Classification Search** D9/500,
D9/503, 504, 516, 523, 520, 528, 529, 531,
D9/557, 540, 543, 549, 552, 565; 215/14,
215/200, 214, 217, 218, 223, 375, 379, 382-385,
215/398

See application file for complete search history.

(56) **References Cited**

U.S. PATENT DOCUMENTS

4,850,493 A * 7/1989 Howard, Jr. 215/375
4,850,494 A * 7/1989 Howard, Jr. 215/375
4,915,241 A * 4/1990 Morimura et al. 215/398

4,964,522 A * 10/1990 Umetsu et al. 215/398
5,484,072 A * 1/1996 Beck et al. 215/375
5,529,196 A * 6/1996 Lane 215/375
5,988,416 A * 11/1999 Cheng et al. 215/375
D429,155 S * 8/2000 Beale D9/520
D454,497 S * 3/2002 Darr et al. D9/500
D508,651 S 8/2005 Harrell et al.
2003/0006210 A1 * 1/2003 Iizuka et al. 215/398

* cited by examiner

Primary Examiner—Mitchell Siegel

Assistant Examiner—Shanda C. Hill

(74) *Attorney, Agent, or Firm*—Dale J. Ream

(57) **CLAIM**

The ornamental design for a beverage bottle, as shown and described.

DESCRIPTION

FIG. 1 is a front view thereof;
FIG. 2 is a back view thereof;
FIG. 3 is a right side view thereof;
FIG. 4 is a left side view thereof;
FIG. 5 is a top view thereof; and,
FIG. 6 is a bottom view thereof.

1 Claim, 5 Drawing Sheets



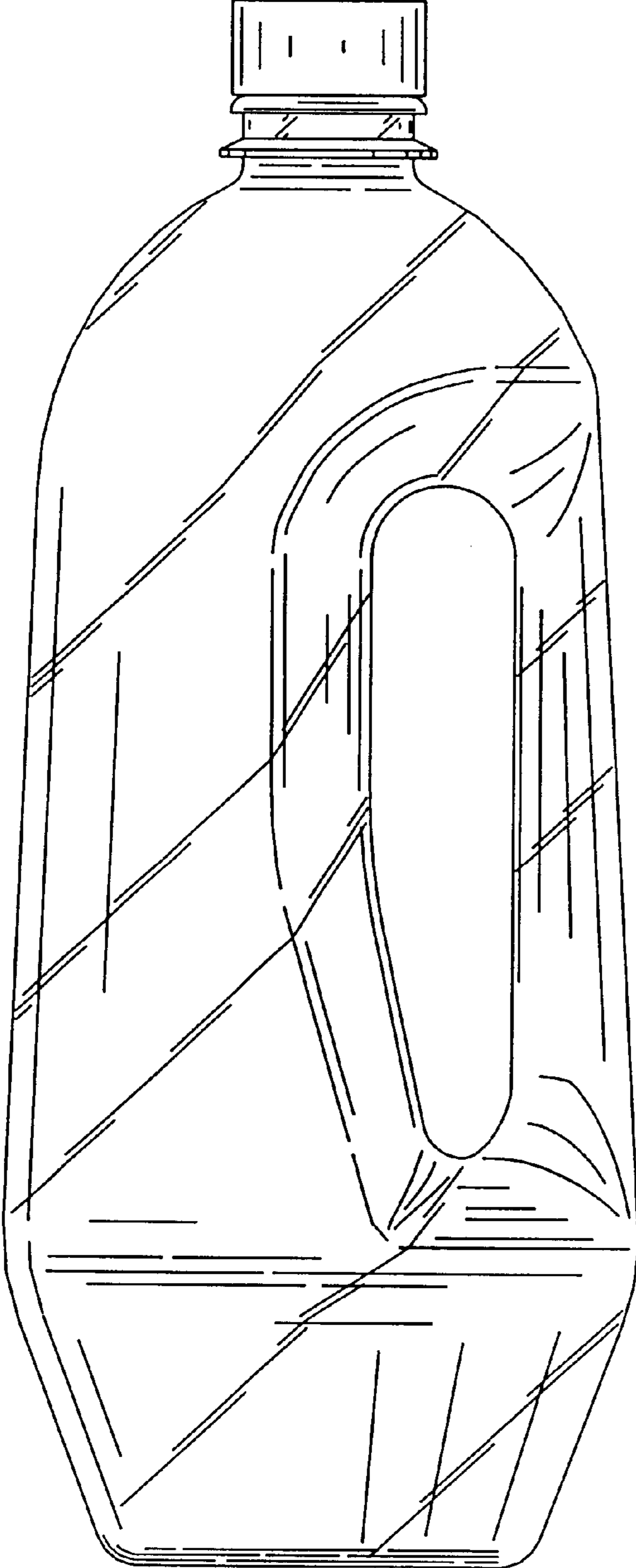


FIG. 1

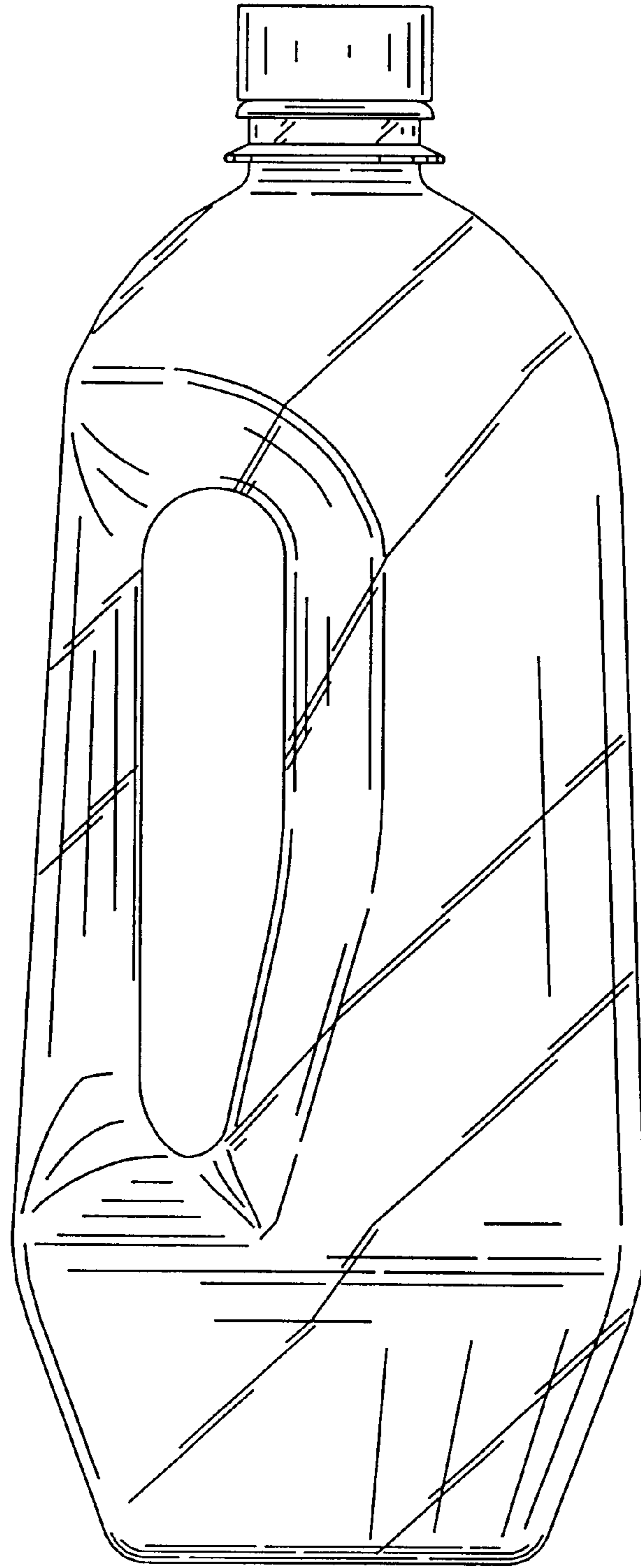


FIG. 2

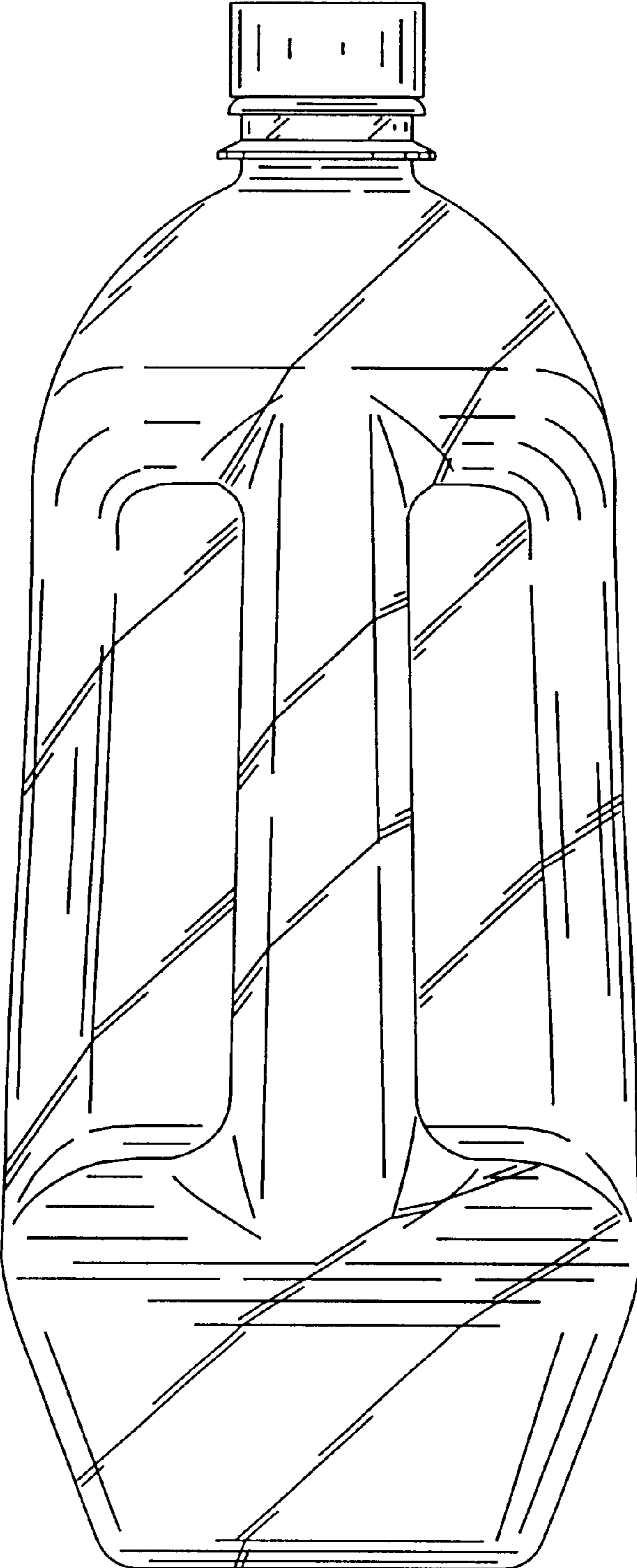


FIG. 3

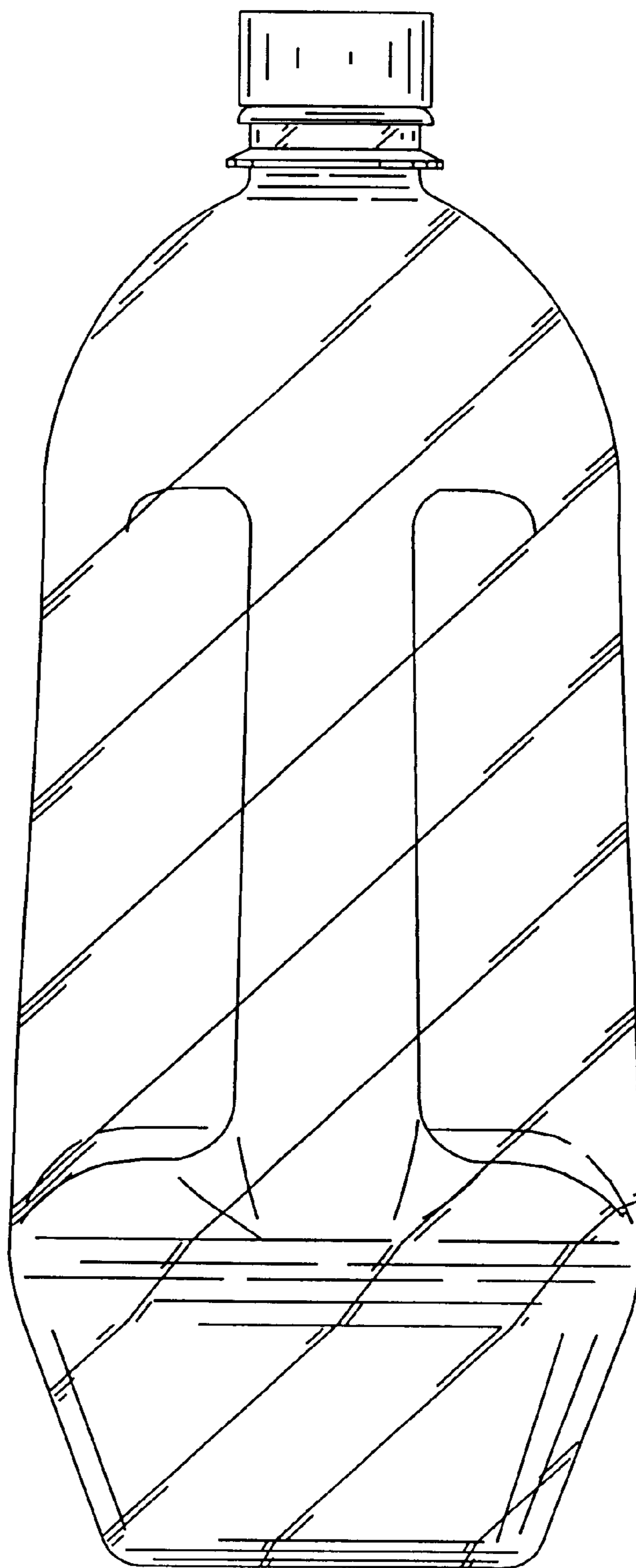


FIG. 4

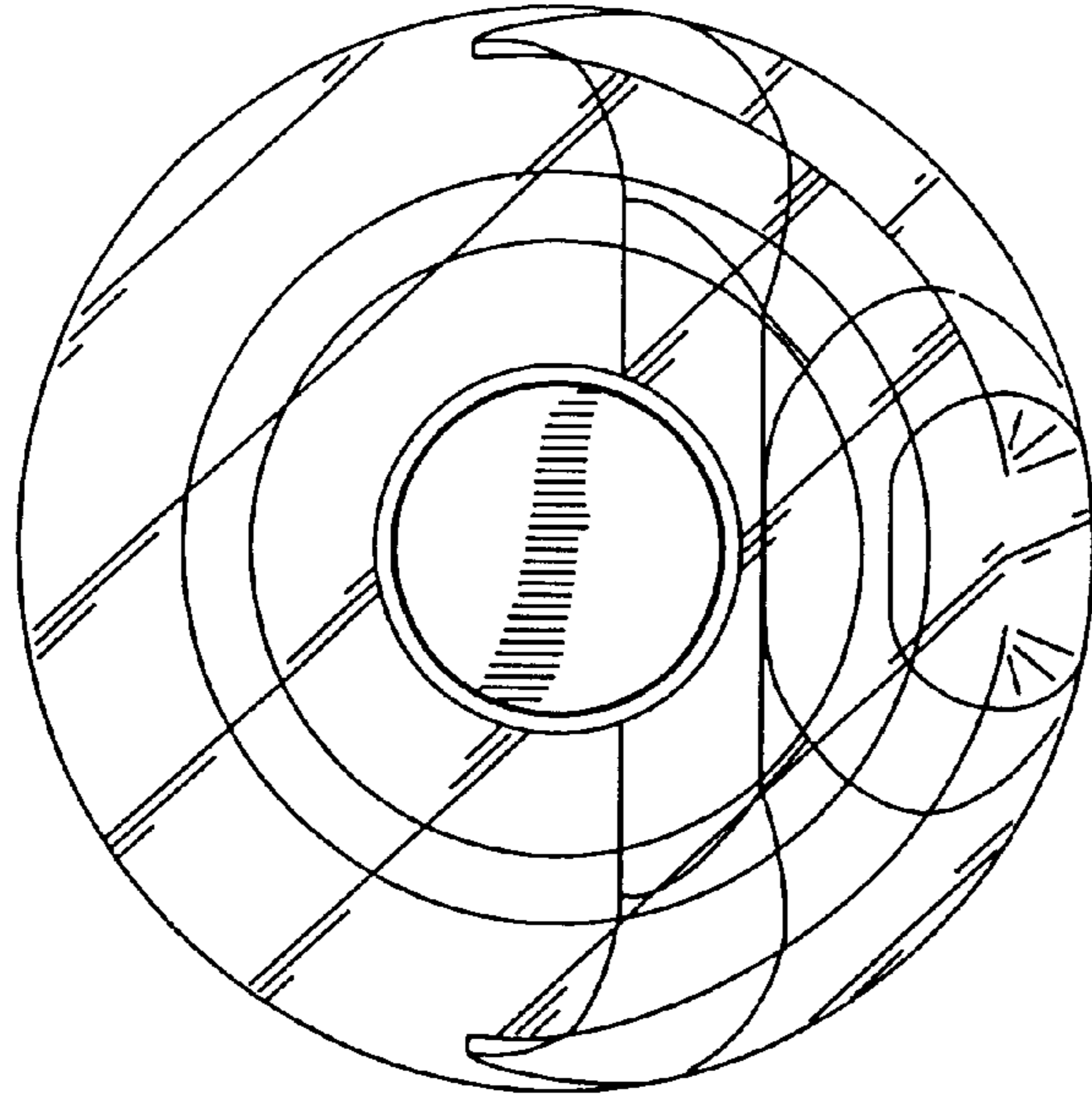


FIG. 5

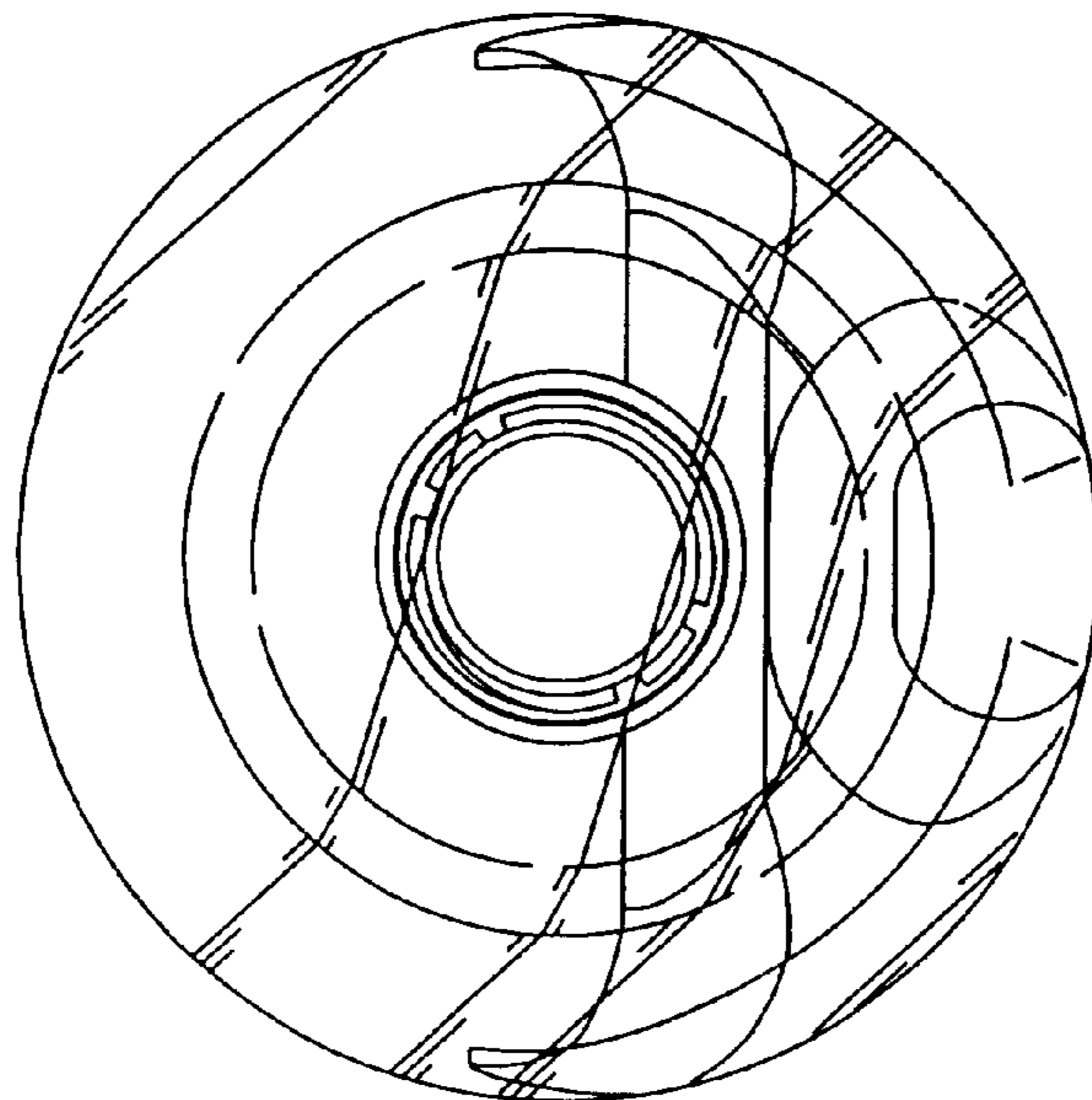


FIG. 6