



US00D534427S

(12) **United States Design Patent**
Crawford

(10) **Patent No.:** **US D534,427 S**

(45) **Date of Patent:** **** Jan. 2, 2007**

(54) **CLOSURE**

(75) Inventor: **John Crawford**, Mahopac, NY (US)

(73) Assignee: **Colgate-Palmolive Company**, New York, NY (US)

(**) Term: **14 Years**

(21) Appl. No.: **29/222,920**

(22) Filed: **Feb. 4, 2005**

(51) **LOC (8) Cl.** **09-07**

(52) **U.S. Cl.** **D9/453; D9/451**

(58) **Field of Classification Search** D9/454,
D9/452, 451, 447, 440, 435; D8/310, 305;
D23/250, 245, 242, 238; D11/227, 225, 222;
222/562, 499; 215/361, 355, 300, 299, 294,
215/247, 235, 220, 218, 217, 216

See application file for complete search history.

(56) **References Cited**

U.S. PATENT DOCUMENTS

D138,874 S	*	9/1944	Drell	D11/222
D138,876 S	*	9/1944	Drell	D11/227
D139,516 S	*	11/1944	Drell	D11/222
D352,906 S	*	11/1994	Gobe	D9/663
D455,016 S	*	4/2002	Newhouse	D6/332

D501,390 S	*	2/2005	Fields	D8/310
D512,911 S	*	12/2005	Floyd et al.	D9/435
D520,361 S	*	5/2006	Crawford et al.	D9/453

OTHER PUBLICATIONS

6 photos showing bottle closures: Palmolive, Mir, Sun Light, Pathmark Green Apple, Pathmark Emerald and Shoprite Ultra So Soft.

* cited by examiner

Primary Examiner—Robert M. Spear

Assistant Examiner—Susan Bennett Hattan

(74) *Attorney, Agent, or Firm*—Ellen K. Park

(57) **CLAIM**

The ornamental design for a closure, as shown and described.

DESCRIPTION

FIG. 1 is a perspective view of the closure of my design;

FIG. 2 is a front elevation thereof.

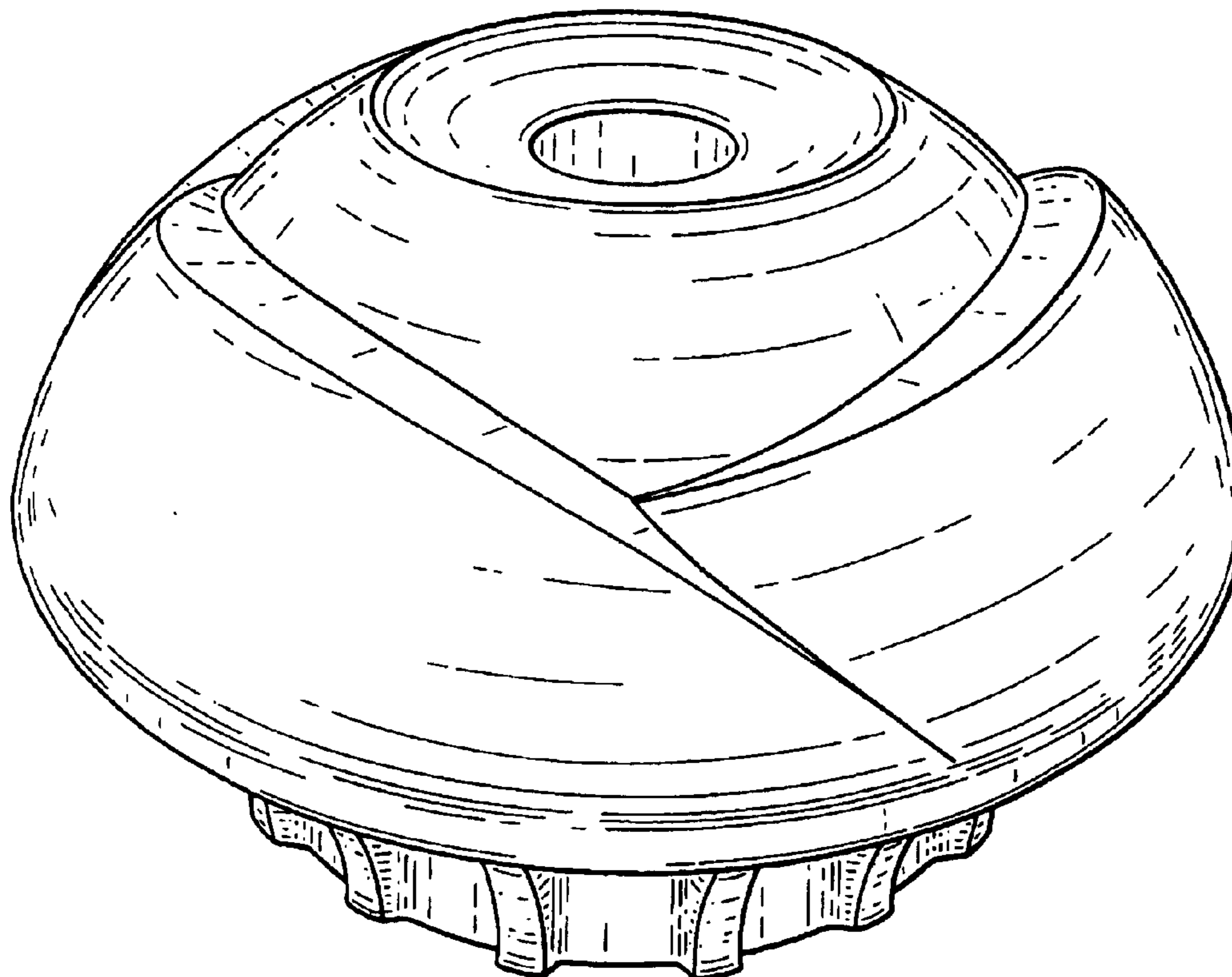
FIG. 3 is a rear elevation view thereof.

FIG. 4 is a left side elevation view thereof.

FIG. 5 is a right side elevation view thereof; and,

FIG. 6 is a top plan view thereof.

1 Claim, 6 Drawing Sheets



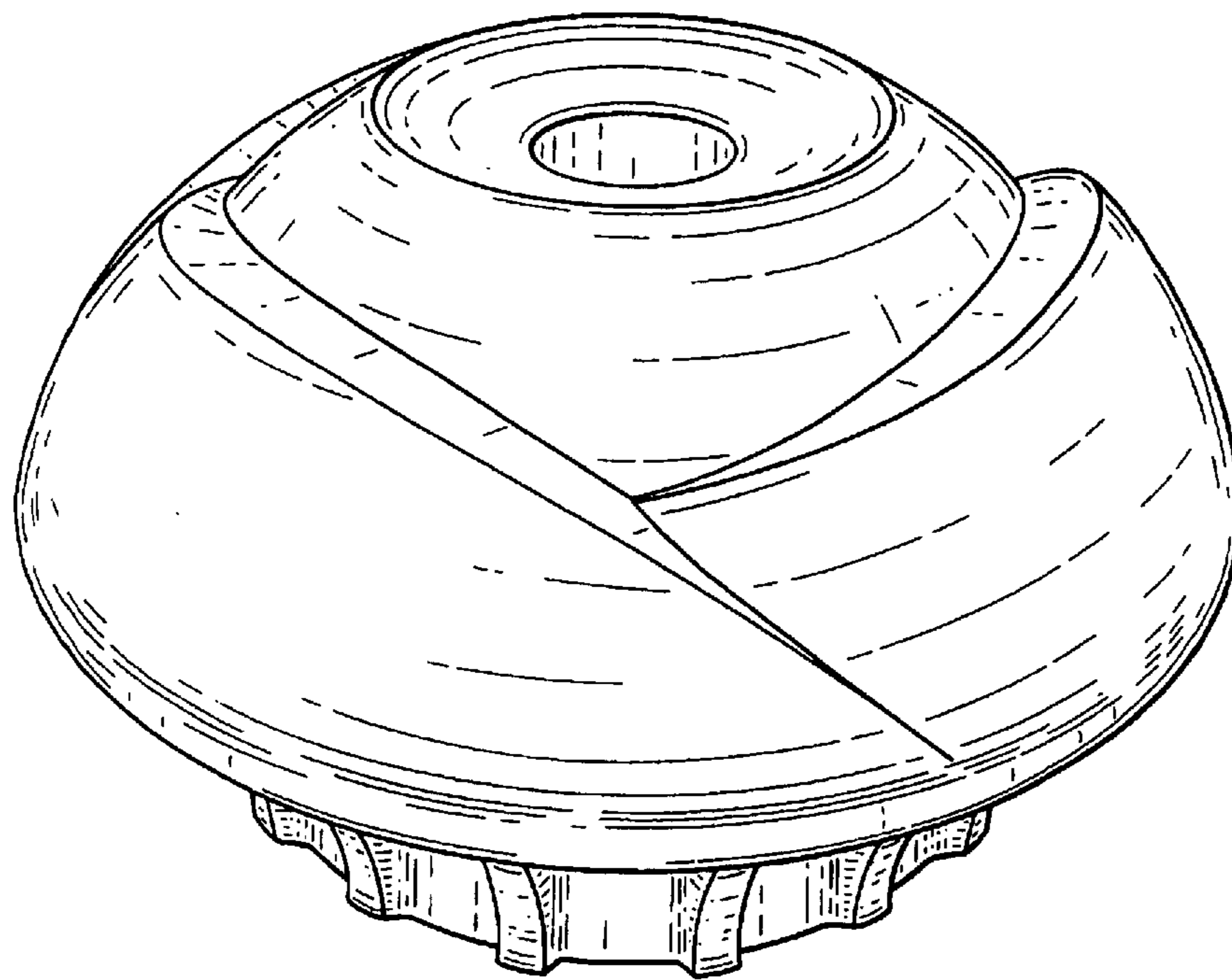


FIG. 1

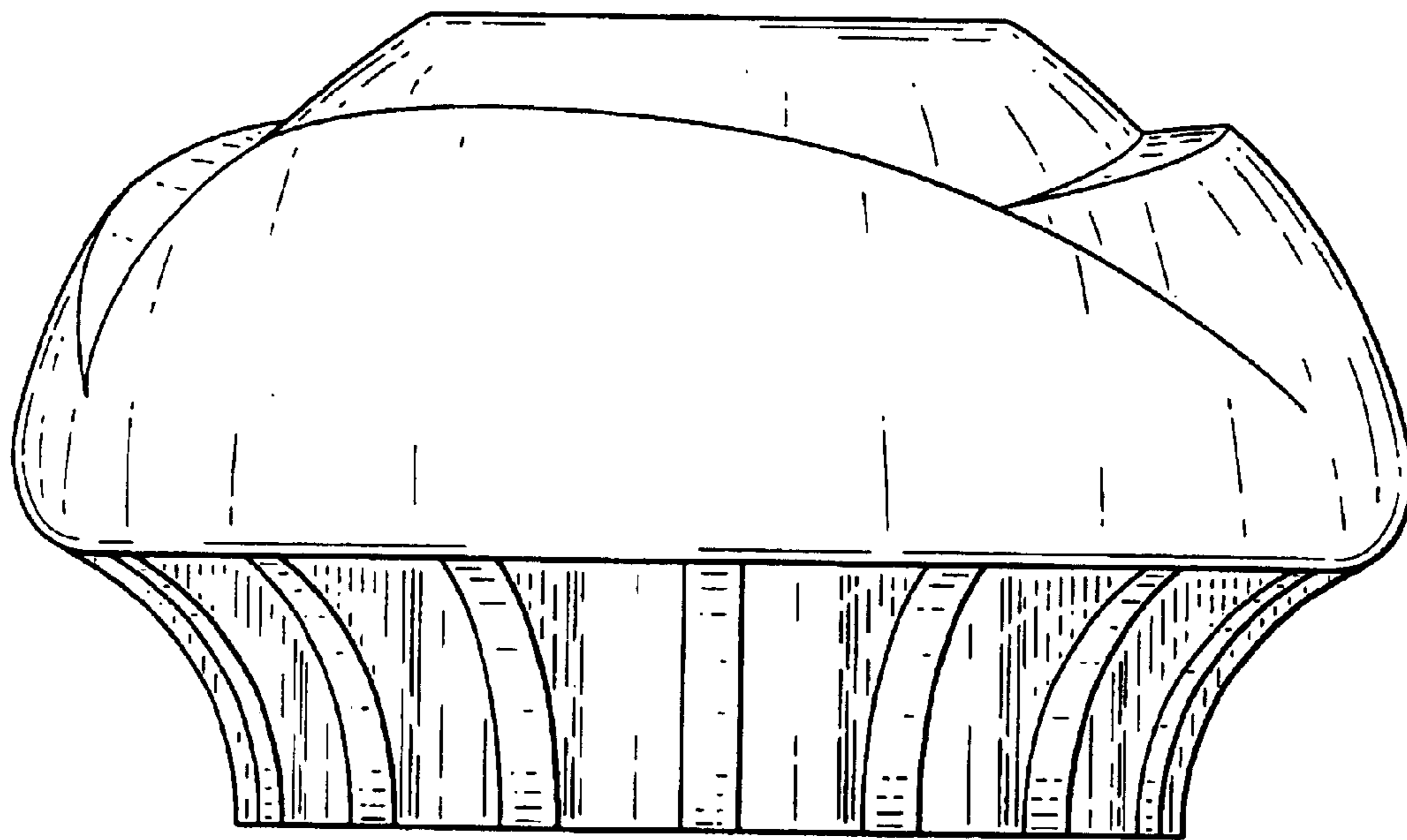


FIG. 2

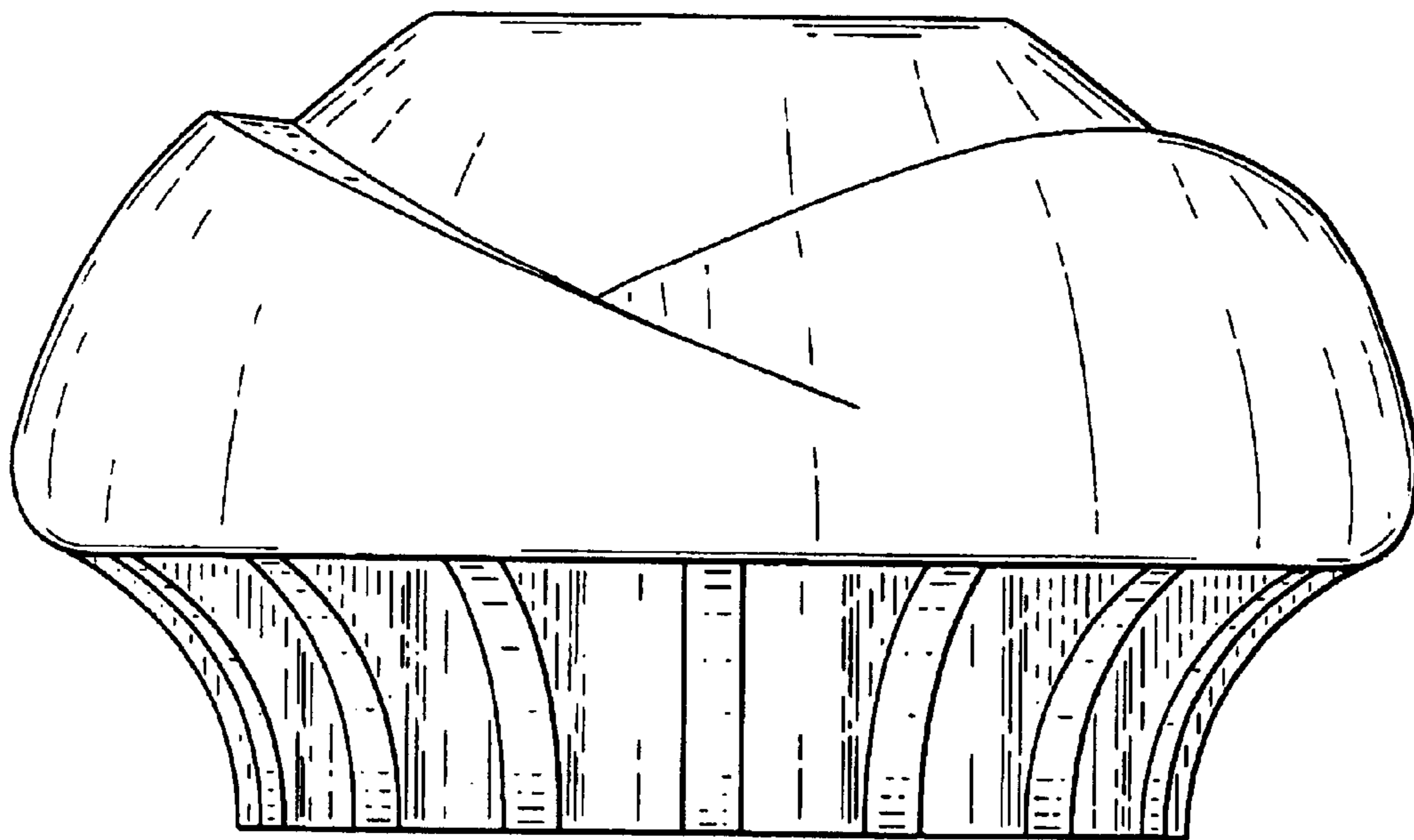


FIG. 3

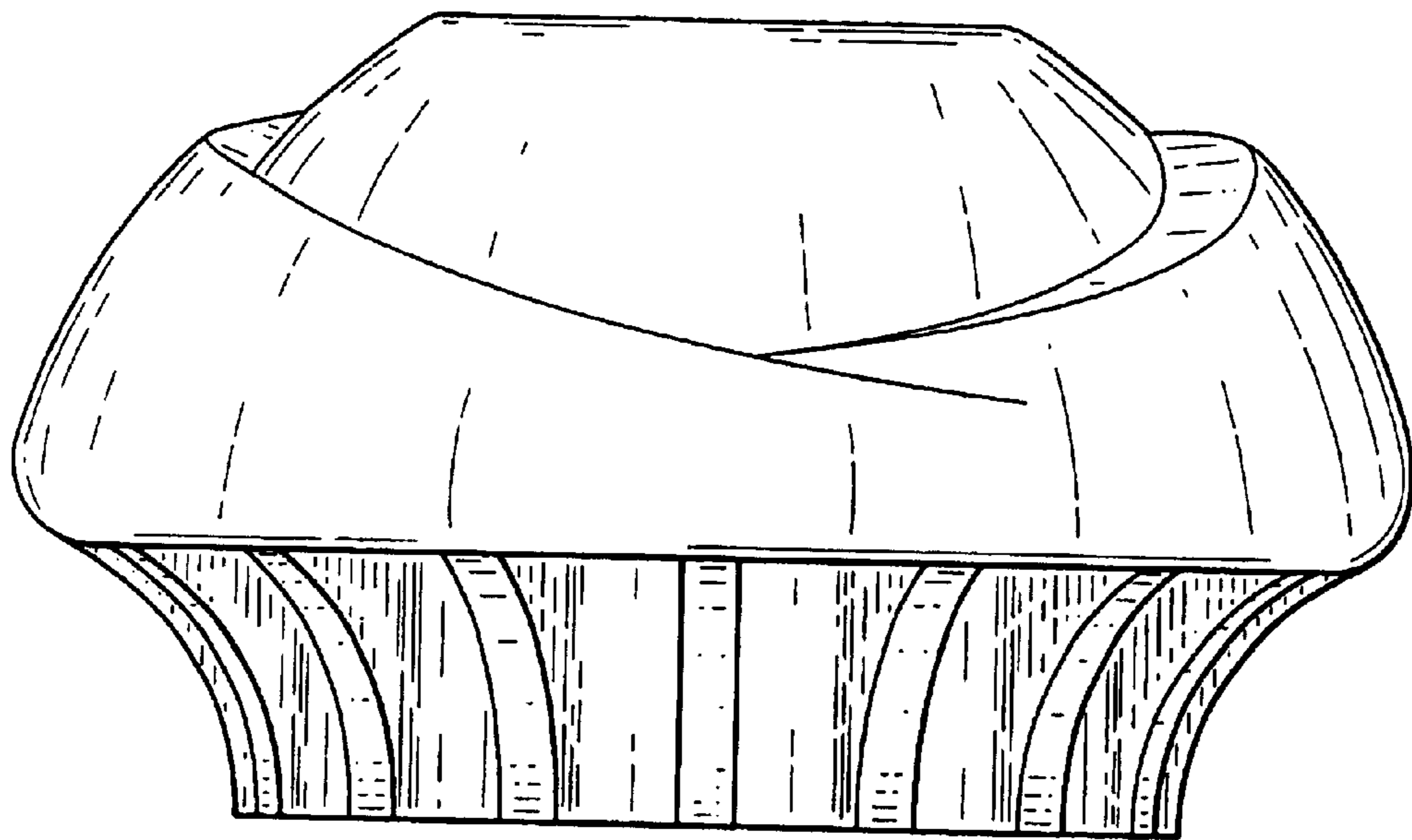


FIG. 4

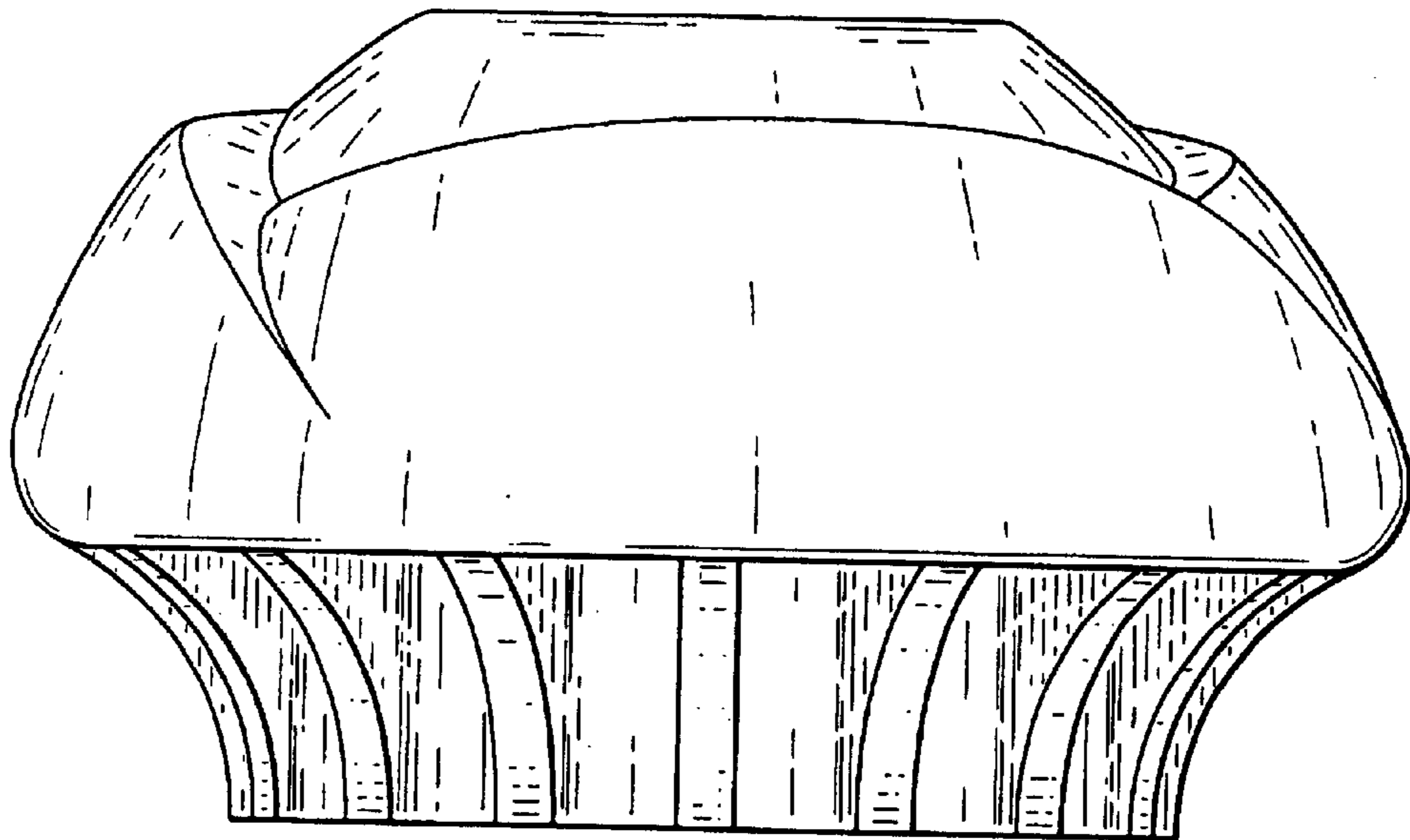


FIG. 5

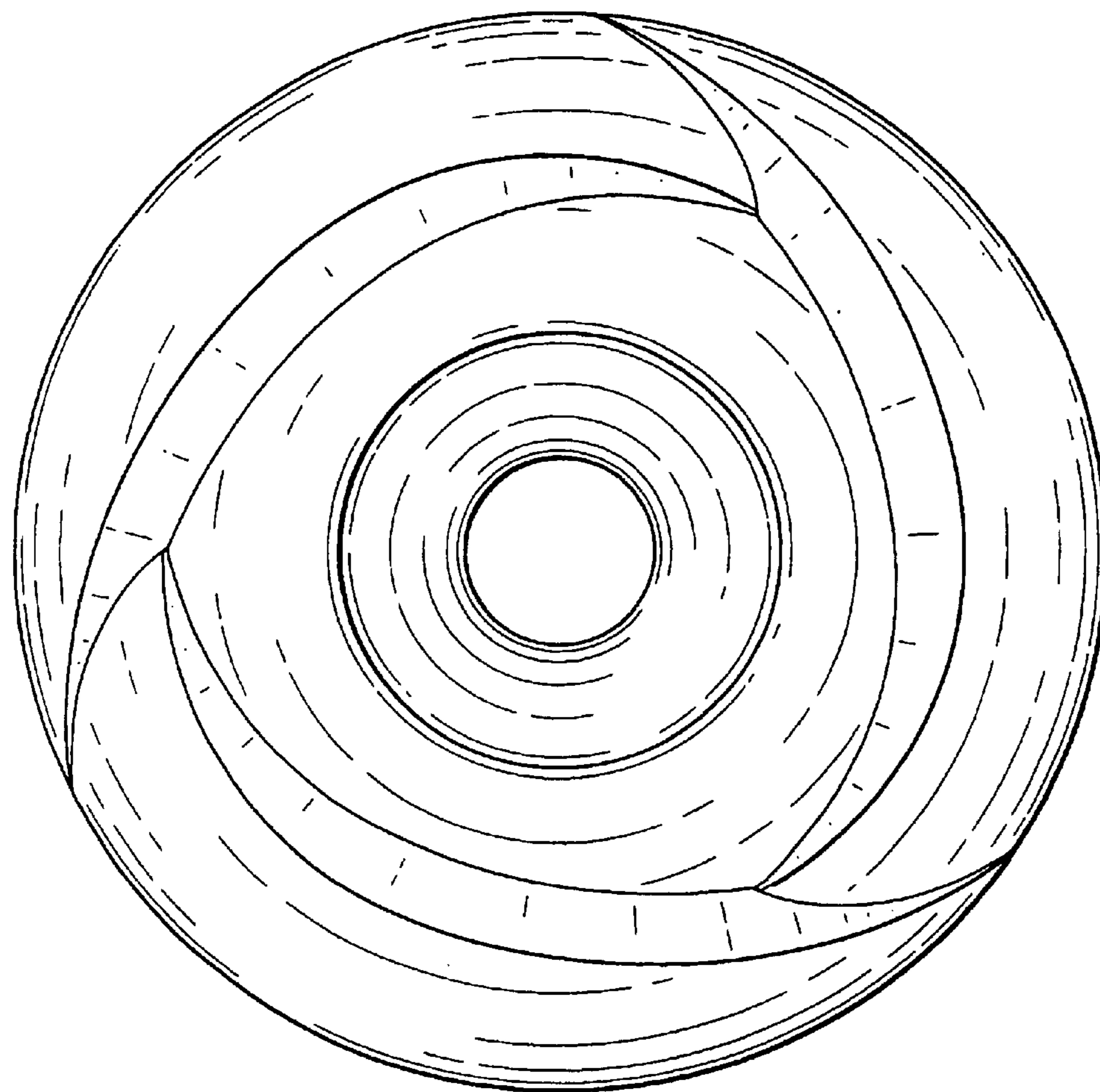


FIG. 6