



US00D534425S

(12) **United States Design Patent**
Kuo

(10) **Patent No.:** **US D534,425 S**

(45) **Date of Patent:** **** Jan. 2, 2007**

(54) **PUMP DISPENSER**

(76) Inventor: **Roy Kuo**, No. 288, Chin-Chow St.,
Taipei (TW)

(**) Term: **14 Years**

(21) Appl. No.: **29/251,169**

(22) Filed: **Jan. 5, 2006**

(51) **LOC (8) Cl.** **09-07**

(52) **U.S. Cl.** **D9/448**

(58) **Field of Classification Search** D9/682,
D9/549, 529, 450, 449, 448, 447, 440, 435;
D7/587, 558, 555, 554.4, 554.2, 553.6, 553.1,
D7/550.1; D6/550, 542, 536; D23/254, 250,
D23/249; 222/562, 402.13, 402.1, 385, 383.1,
222/372, 321.7, 321.3, 320, 153.13
See application file for complete search history.

(56) **References Cited**

U.S. PATENT DOCUMENTS

2,824,672 A * 2/1958 Wersching 222/207
D426,093 S * 6/2000 Cayouette D6/542
6,230,942 B1 * 5/2001 Kuo 222/321.9
D459,654 S * 7/2002 Kuo D9/448
6,419,125 B1 * 7/2002 Kim 222/321.9

D466,017 S * 11/2002 Kuo D9/448
D480,643 S * 10/2003 Dretzka D9/448
D505,326 S * 5/2005 Costa D9/448
2005/0218159 A1 * 10/2005 Hoour 222/321.7

* cited by examiner

Primary Examiner—Robert M. Spear
Assistant Examiner—Susan Bennett Hattan

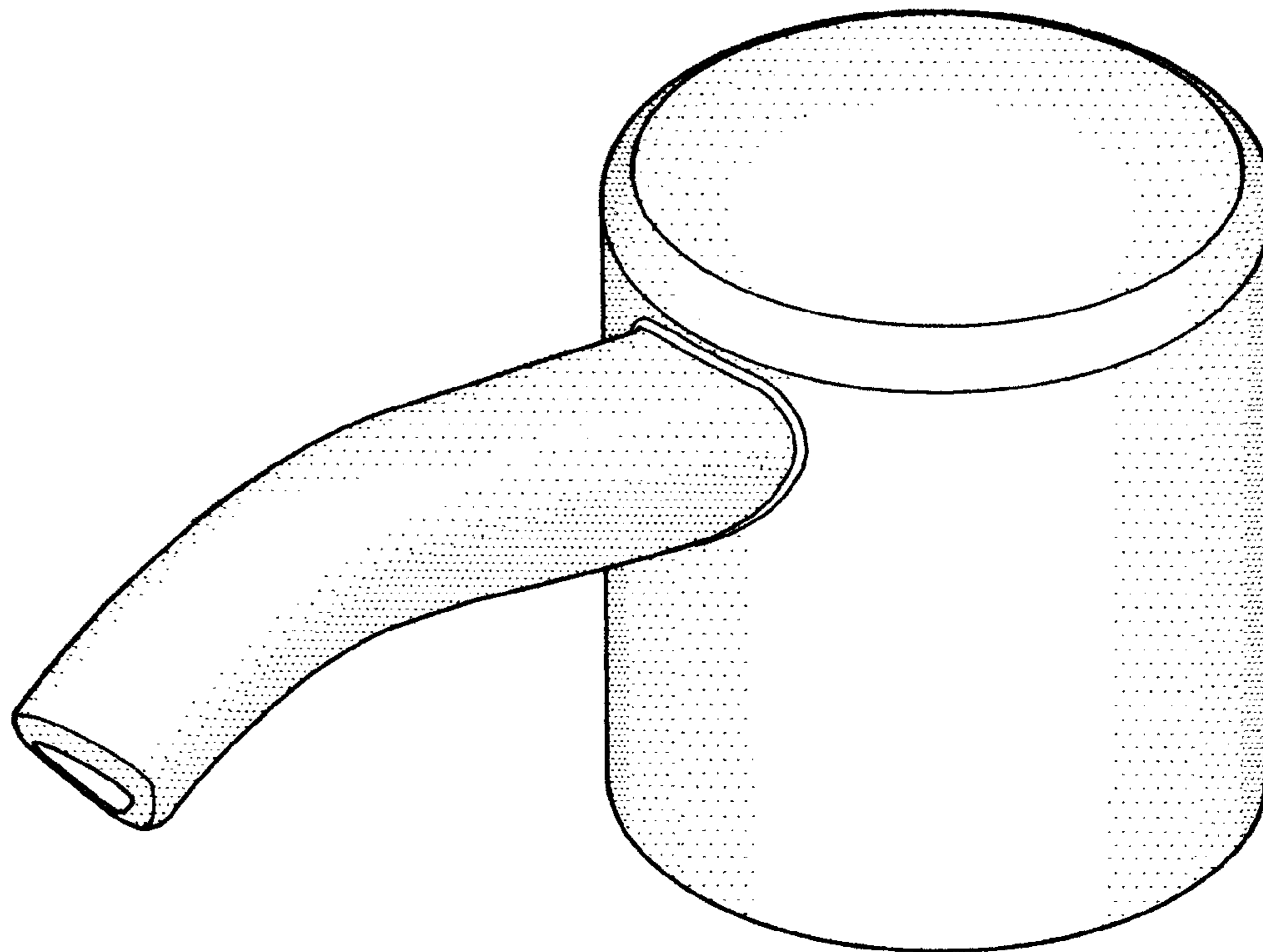
(57) **CLAIM**

The ornamental design for a pump dispenser, as shown and described.

DESCRIPTION

FIG. 1 is a perspective view of a pump dispenser showing the new design;
FIG. 2 is a front elevational view thereof;
FIG. 3 is a rear elevational view thereof;
FIG. 4 is a left side elevational view thereof;
FIG. 5 is a right elevational view thereof;
FIG. 6 is a top plan view thereof;
FIG. 7 is a bottom plan view thereof; and,
FIG. 8 is another perspective view thereof.
The broken lines in the drawings are for illustrative purposes only and form no part of the claimed design.

1 Claim, 5 Drawing Sheets



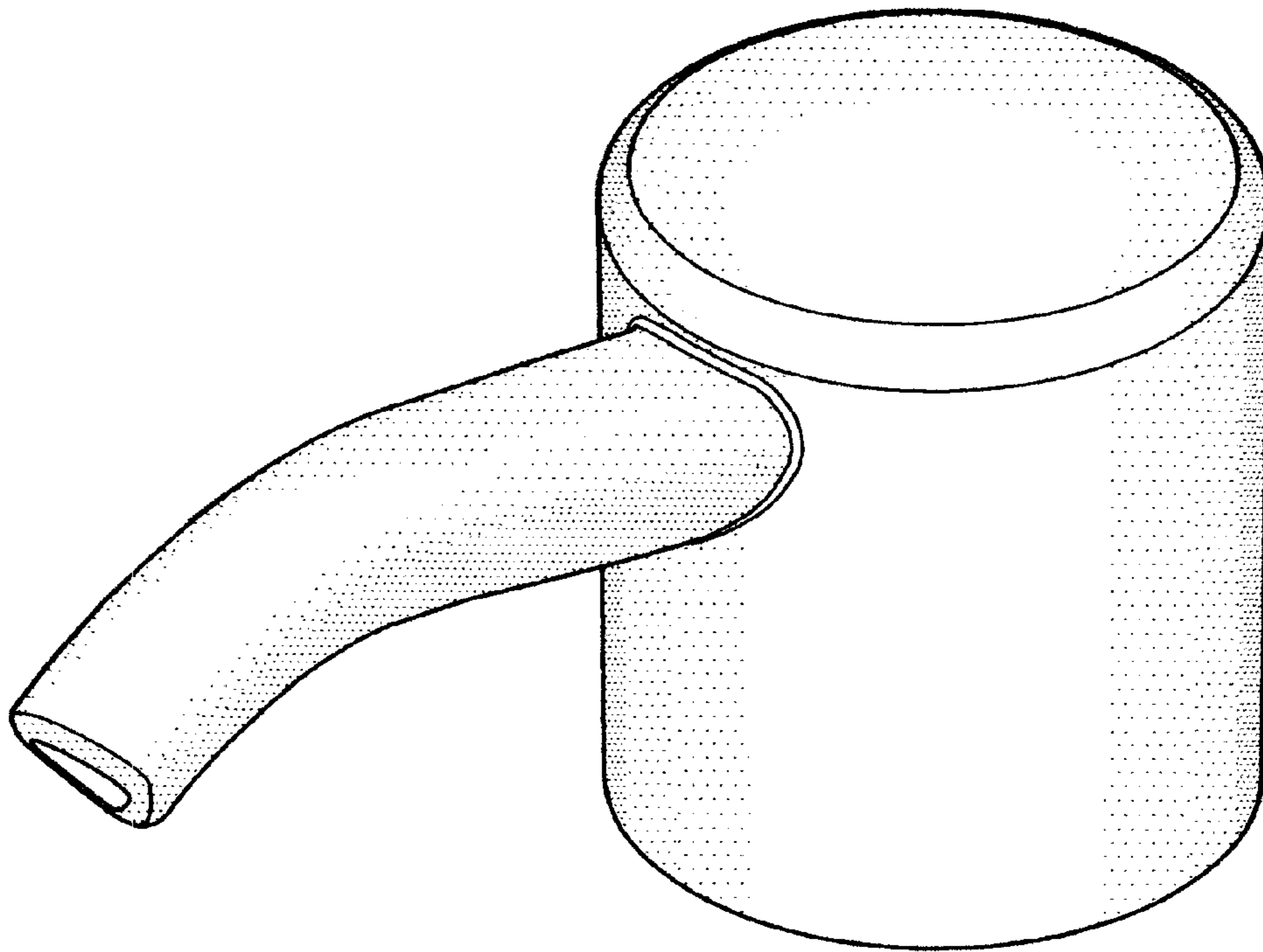


Fig. 1

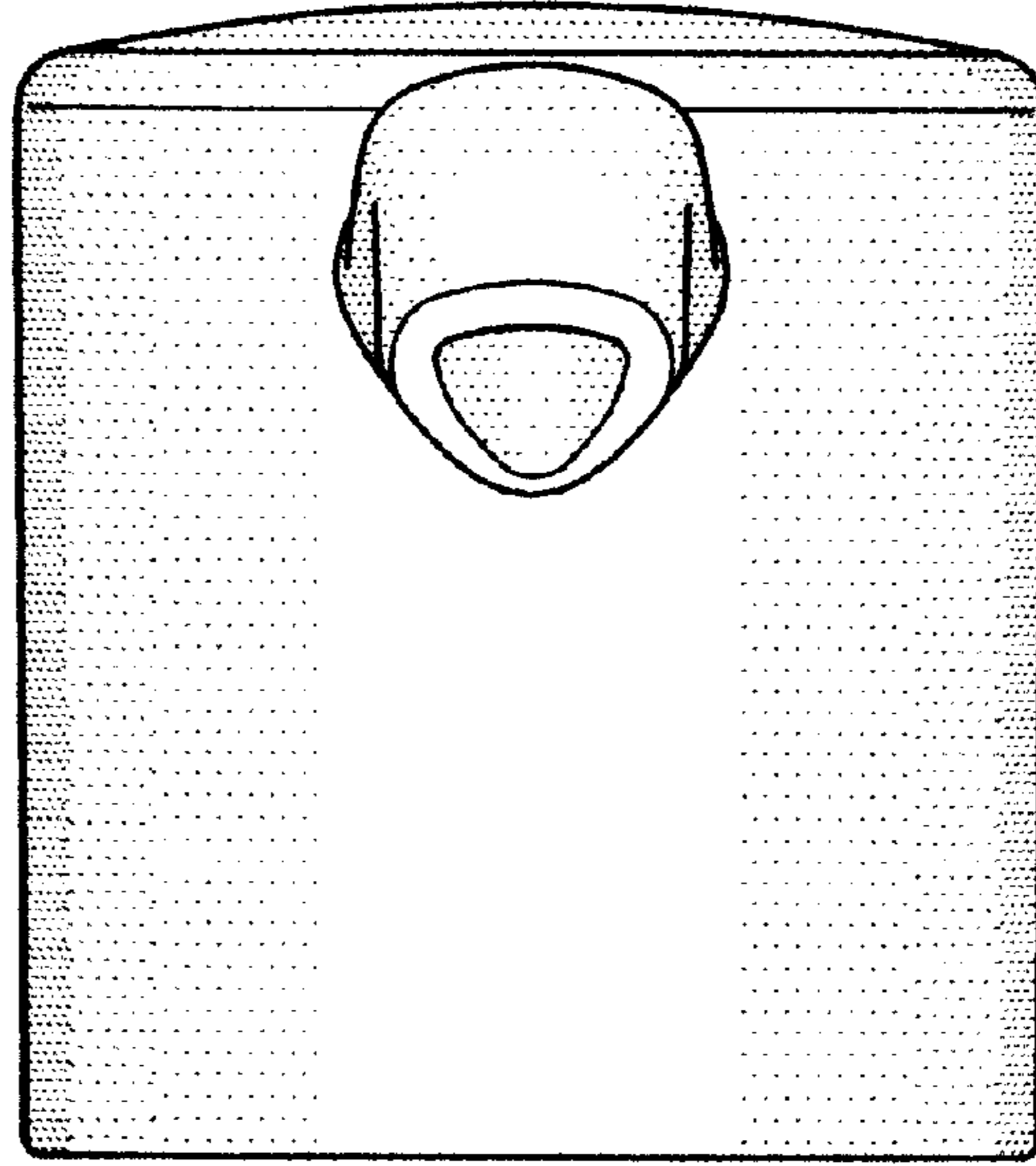


Fig. 2

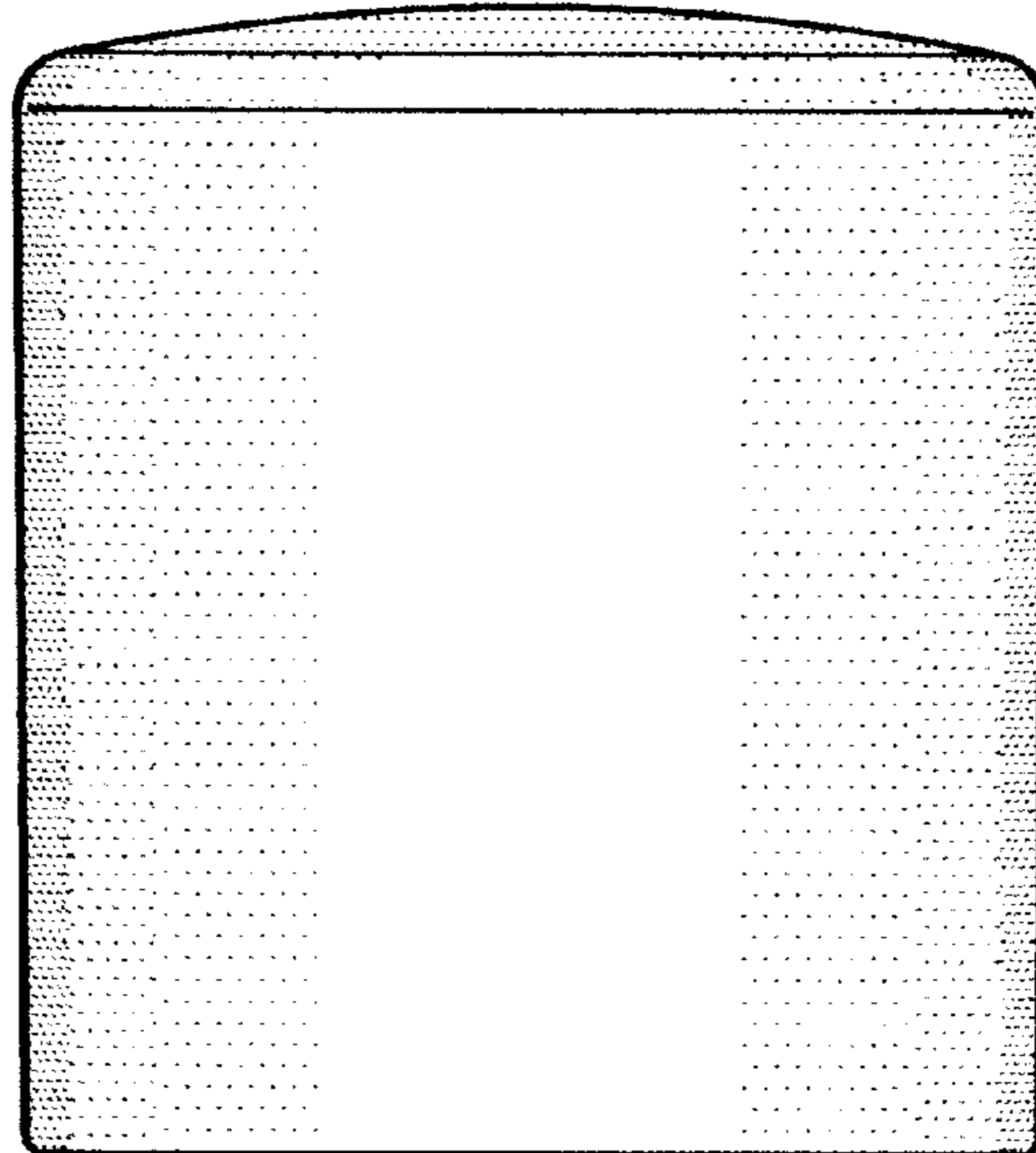


Fig. 3

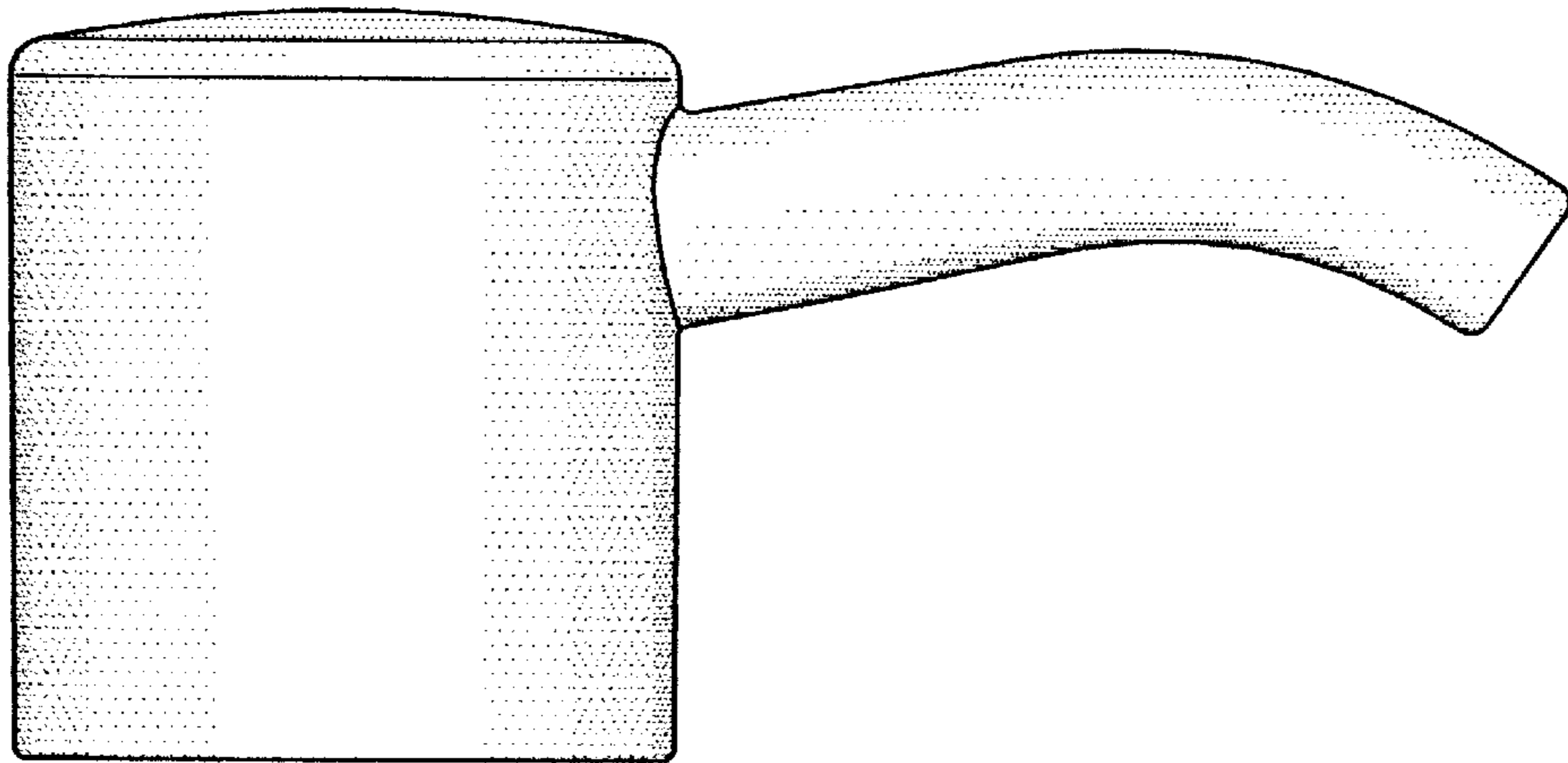


Fig. 4

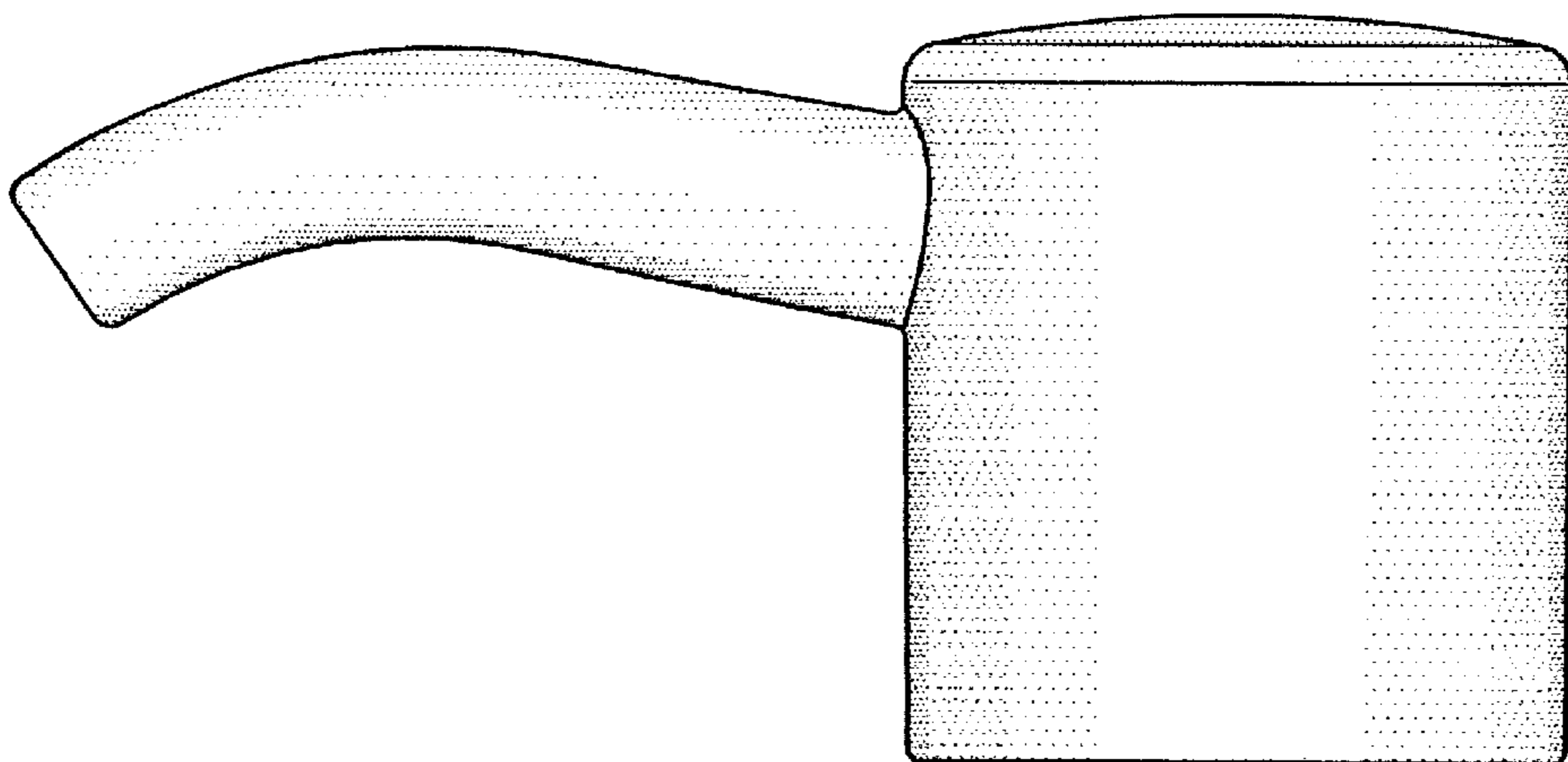


Fig. 5

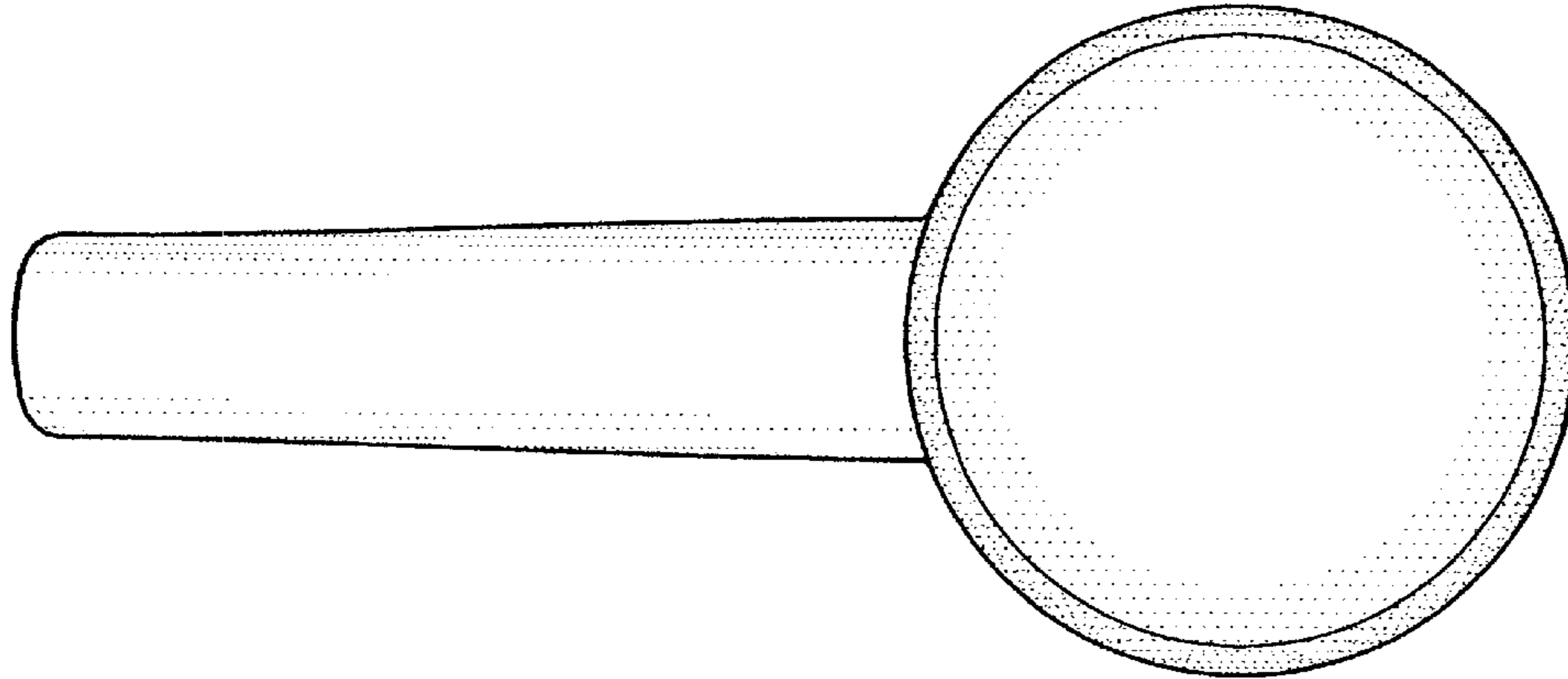


Fig. 6

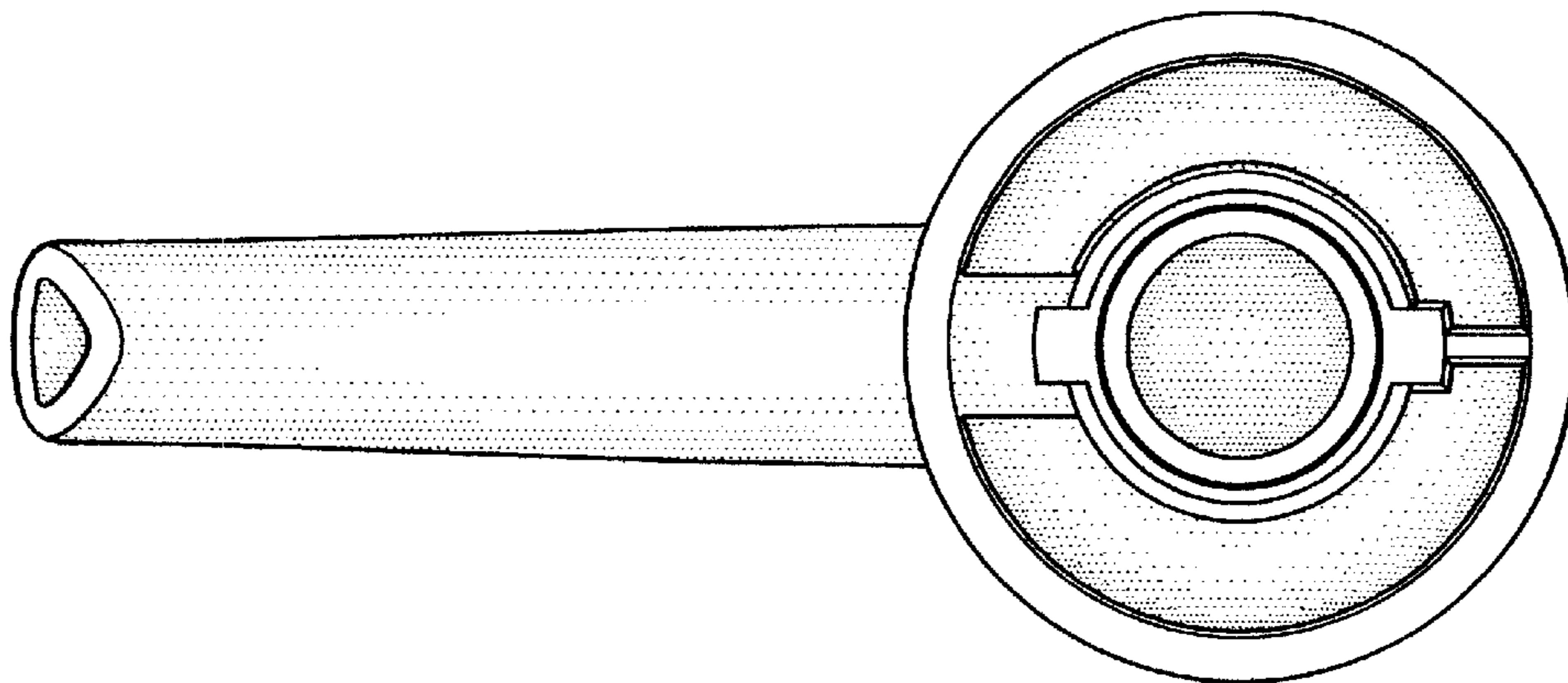


Fig. 7

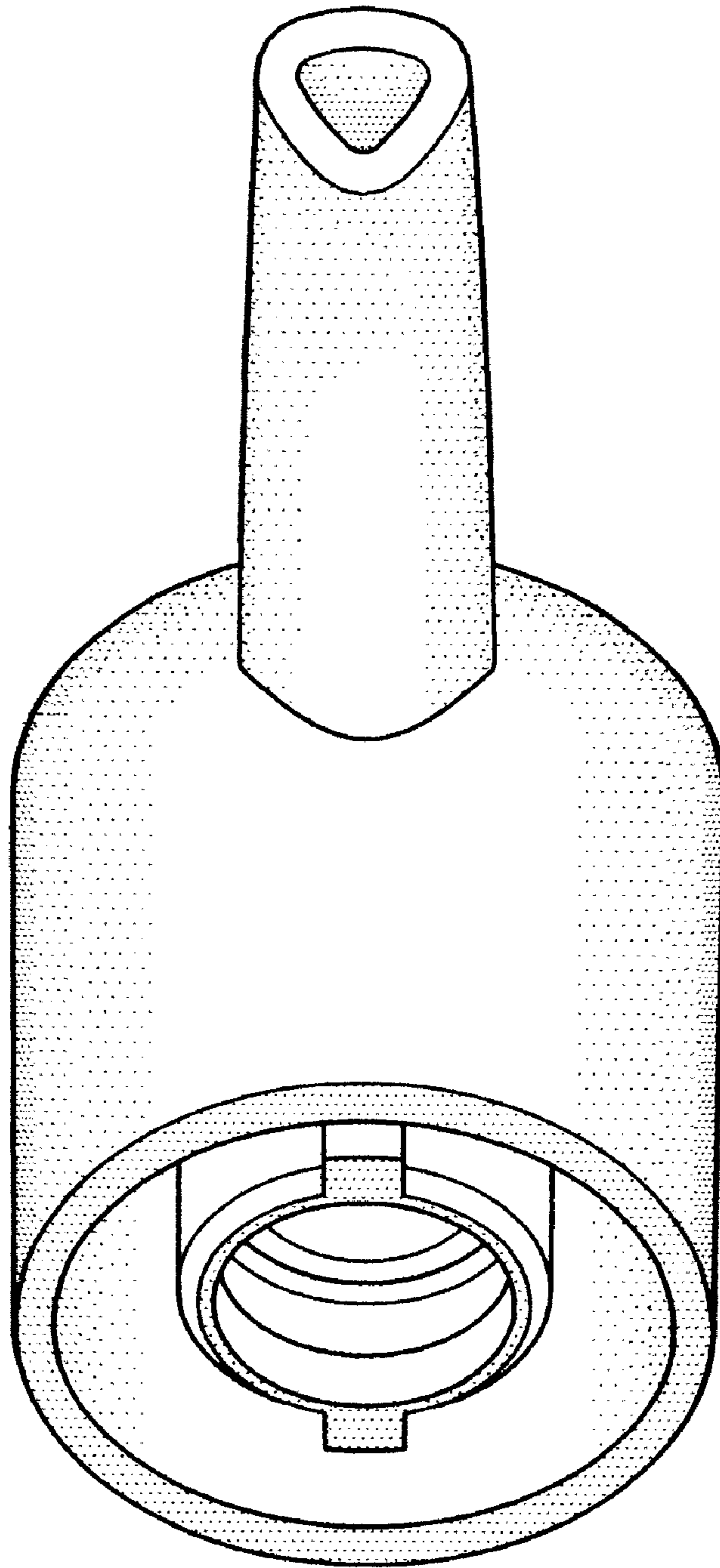


Fig. 8