



US00D534421S

(12) **United States Design Patent**
Tanner

(10) **Patent No.:** **US D534,421 S**
(45) **Date of Patent:** **** Jan. 2, 2007**

- (54) **CONTAINER**
- (75) Inventor: **Roger Geoffrey Tanner**, Great Dunmow (GB)
- (73) Assignee: **Crown Packaging Technology, Inc.**, Alsip, IL (US)
- (**) Term: **14 Years**
- (21) Appl. No.: **29/238,350**
- (22) Filed: **Sep. 14, 2005**
- (51) **LOC (8) Cl.** **09-03**
- (52) **U.S. Cl.** **D9/420; D9/424**
- (58) **Field of Classification Search** D9/420, D9/419, 422-426, 432; D3/20, 203.2; D18/17; D28/73, 76-79, 82, 83; 206/39, 235, 527, 206/581, 815, 823; 132/293, 294, 315
See application file for complete search history.

- D357,274 S 4/1995 Sato
- D369,282 S 4/1996 Arduini
- D375,258 S 11/1996 Weder et al.
- D375,620 S 11/1996 Chan
- D383,062 S 9/1997 Gilels et al.
- D389,174 S 1/1998 Yasoshima
- D394,131 S 5/1998 Litton
- D401,017 S 11/1998 Thorpe
- D407,855 S 4/1999 Orsomando
- D407,972 S 4/1999 Hilton
- D424,245 S 5/2000 Stoecker
- D431,881 S 10/2000 Gavin
- D432,911 S 10/2000 Clarke et al.
- D433,940 S 11/2000 Lindsay et al.
- 6,240,989 B1 * 6/2001 Masoud 150/149
- D446,718 S 8/2001 Anderson
- D448,295 S 9/2001 Mozes
- D449,165 S * 10/2001 van der Hulst D3/294
- D450,593 S 11/2001 Jebb et al.
- D452,373 S 12/2001 Horntrich
- 6,341,710 B1 1/2002 Danielson et al.
- D455,235 S 4/2002 Braaten et al.
- D460,690 S * 7/2002 Doerschlag D9/423
- D464,173 S 10/2002 Orsomando

(56) **References Cited**

U.S. PATENT DOCUMENTS

- 2,295,747 A 9/1942 Mills
- 2,722,309 A 11/1955 Waterman
- D199,819 S 12/1964 Palson
- D200,000 S 1/1965 Richards
- D267,983 S 2/1983 Cheung
- D277,420 S 1/1985 Bakic
- D278,207 S 4/1985 McLaughlin
- D280,852 S 10/1985 Bakic
- D281,827 S * 12/1985 Bakic D28/83
- D285,177 S 8/1986 Goetz
- D285,414 S 9/1986 Goetz et al.
- 4,615,464 A * 10/1986 Byrns 220/4.23
- D303,581 S 9/1989 Bakic
- D305,947 S * 2/1990 Chevassus D28/78
- D309,431 S * 7/1990 Sheehan D9/424
- D311,684 S 10/1990 Newell et al.
- D323,293 S 1/1992 Gutkowski
- D328,710 S 8/1992 Deflander
- D339,286 S 9/1993 Kelsey et al.
- D349,644 S 8/1994 Miyairi et al.
- D350,836 S 9/1994 Chevassus
- D351,789 S 10/1994 Lee

(Continued)

Primary Examiner—Stella Reid
Assistant Examiner—Derrick Holland
(74) *Attorney, Agent, or Firm*—Knoble Yoshida & Dunleavy, LLC

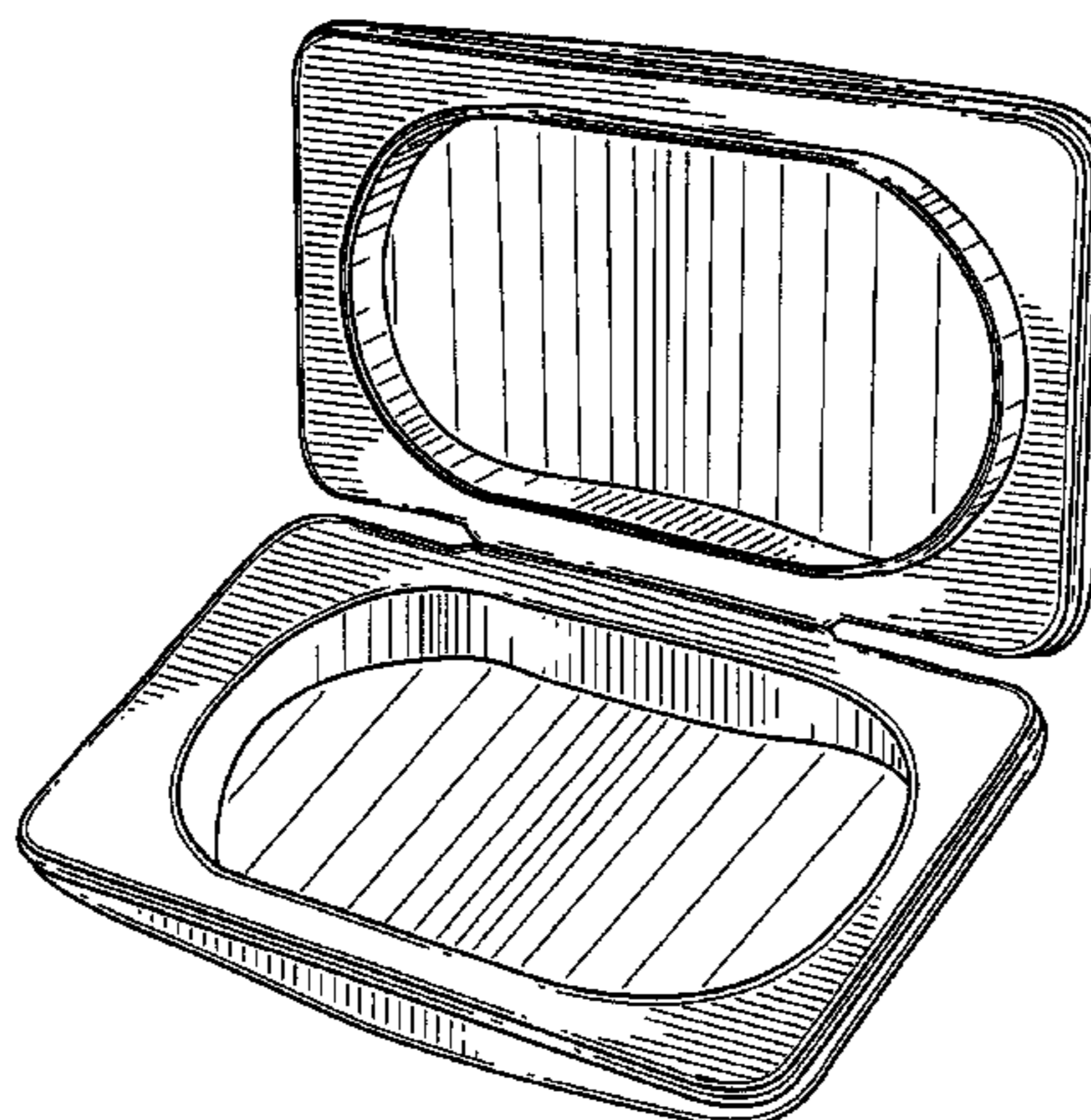
(57) **CLAIM**

The ornamental design for a “container,” as shown and described.

DESCRIPTION

FIG. 1 is a perspective view of a container, showing my new design;
FIG. 2 is a first side elevational view;
FIG. 3 is a second side elevational view;
FIG. 4; is a top plan view;
FIG. 5; is a bottom plan view;
FIG. 6 is a front elevational view; and,
FIG. 7 is a rear elevational view.

1 Claim, 4 Drawing Sheets



US D534,421 S

Page 2

U.S. PATENT DOCUMENTS

D464,567 S	10/2002	Baerenwald et al.	D479,462 S	9/2003	Chan
D465,729 S	11/2002	Nishimura	D480,634 S	10/2003	Caroen
D471,820 S	3/2003	Faillant-Dumas	D484,409 S	12/2003	Haggerty et al.
D472,803 S	4/2003	Saunders	D502,095 S	2/2005	Tucker et al.
D473,680 S	4/2003	Saunders et al.	D509,732 S	9/2005	Staples
D475,282 S	6/2003	Snaith et al.	2001/0023595 A1	9/2001	Kaposi
D478,689 S	8/2003	Thorpe	2002/0005044 A1	1/2002	Mahajan
D479,016 S	8/2003	Sgariboldi			

* cited by examiner

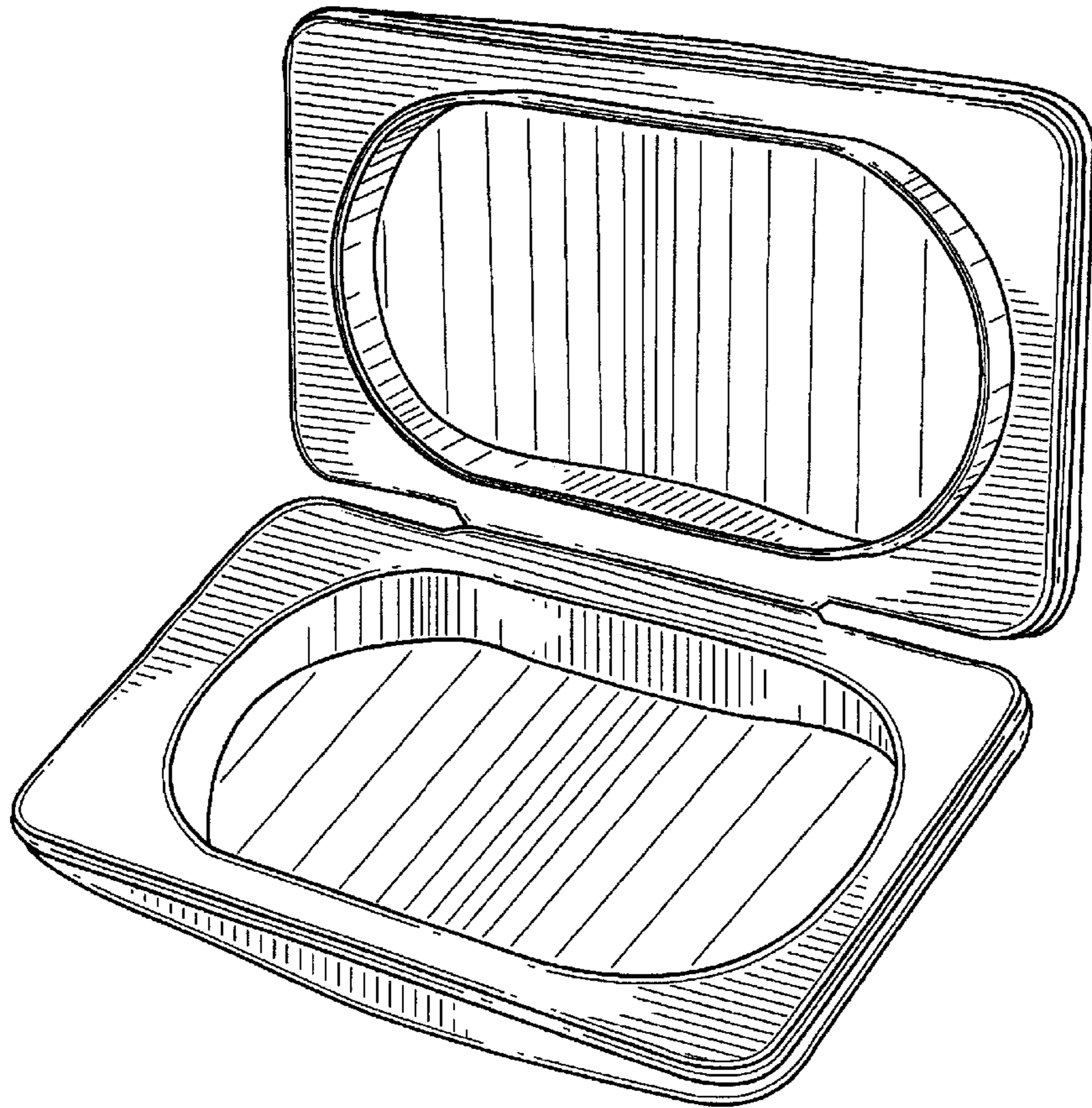


FIG. 1

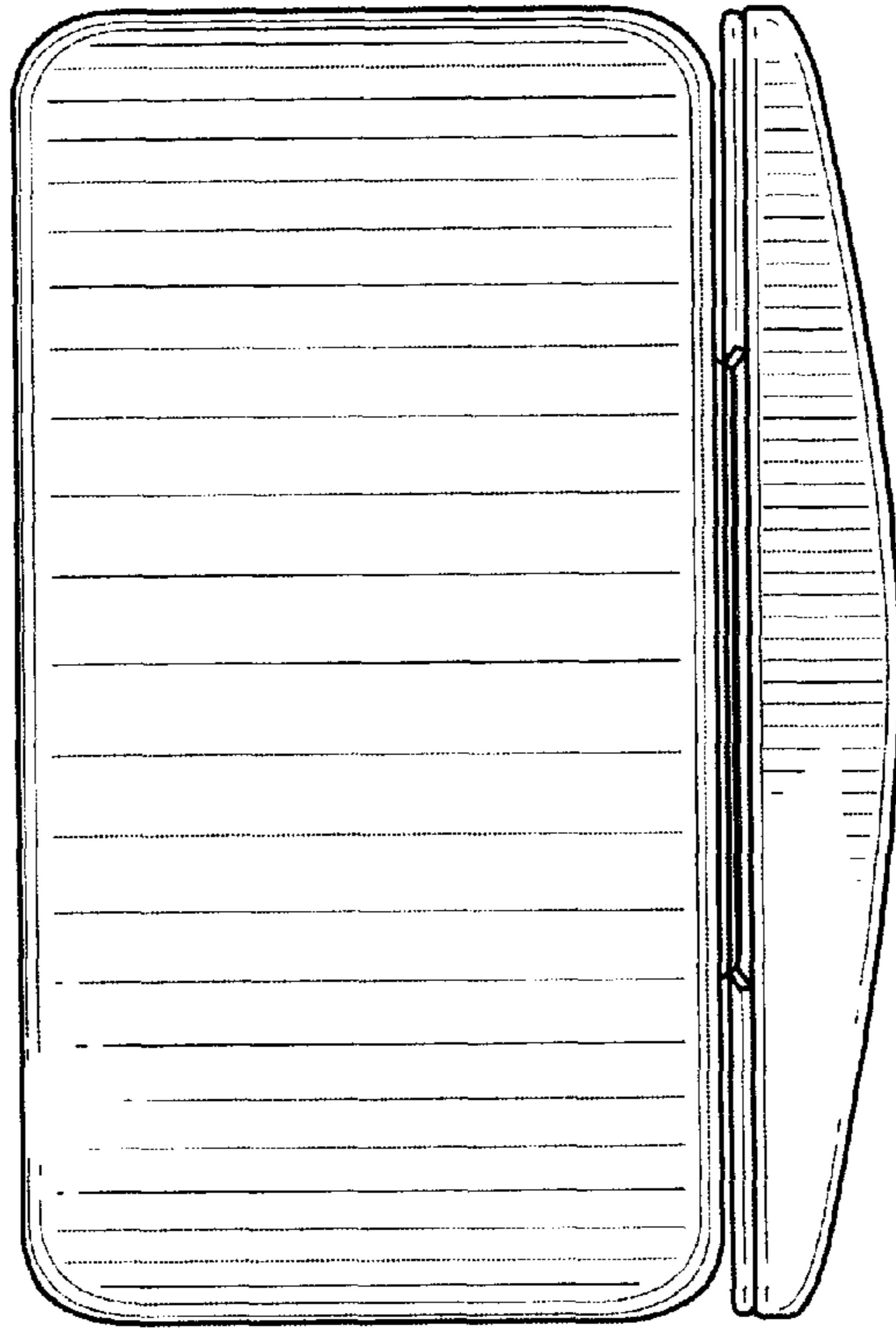


FIG. 3

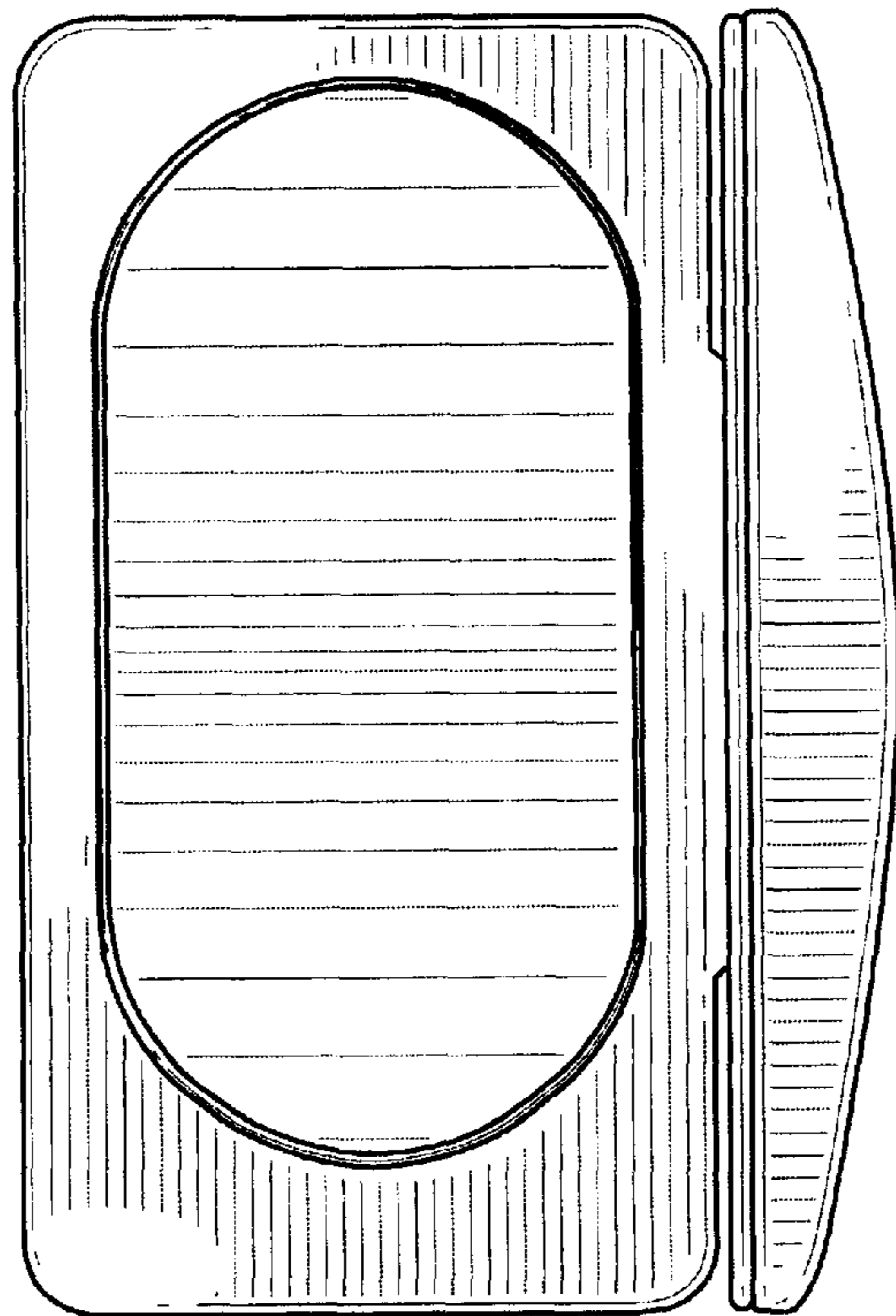


FIG. 2

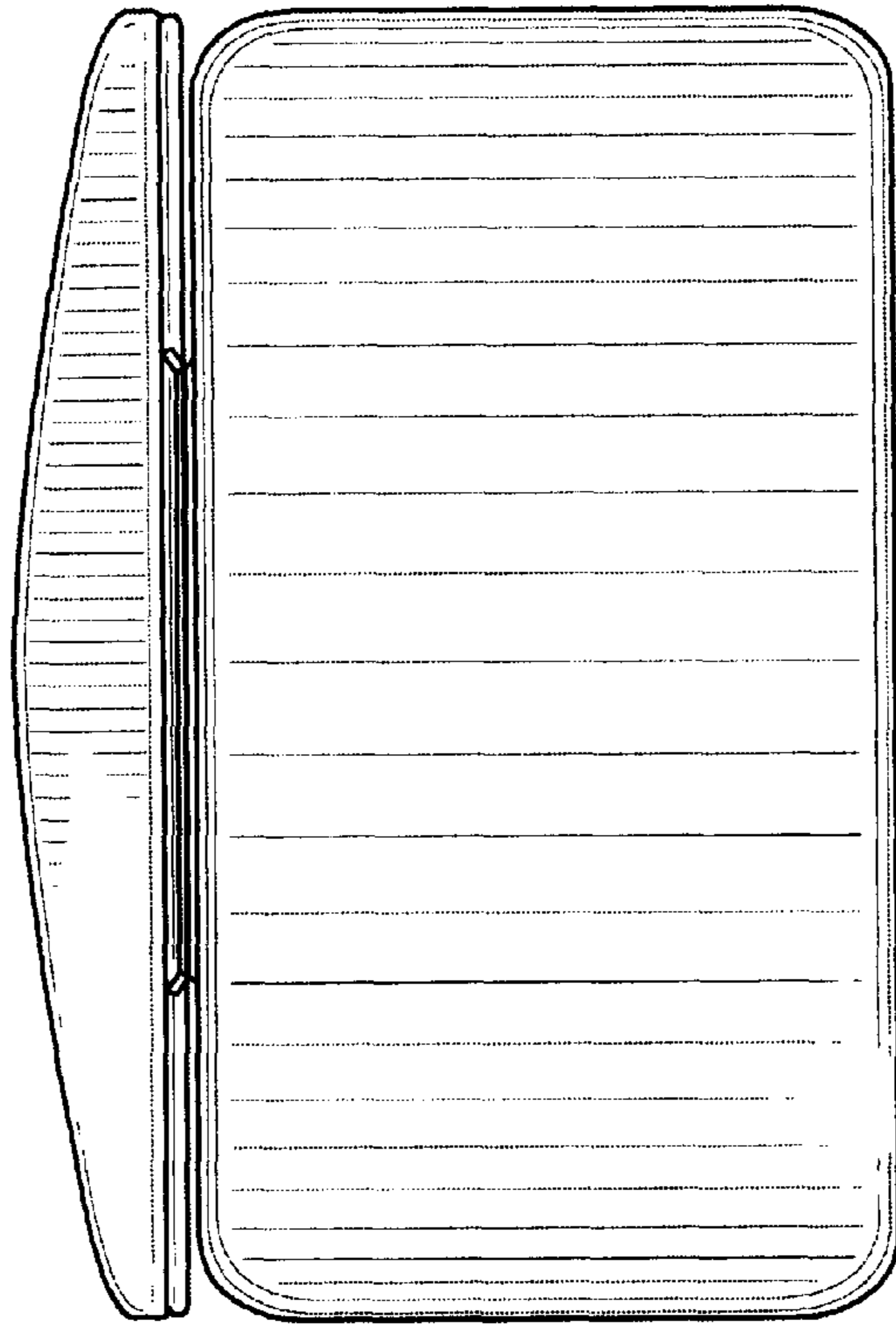


FIG. 5

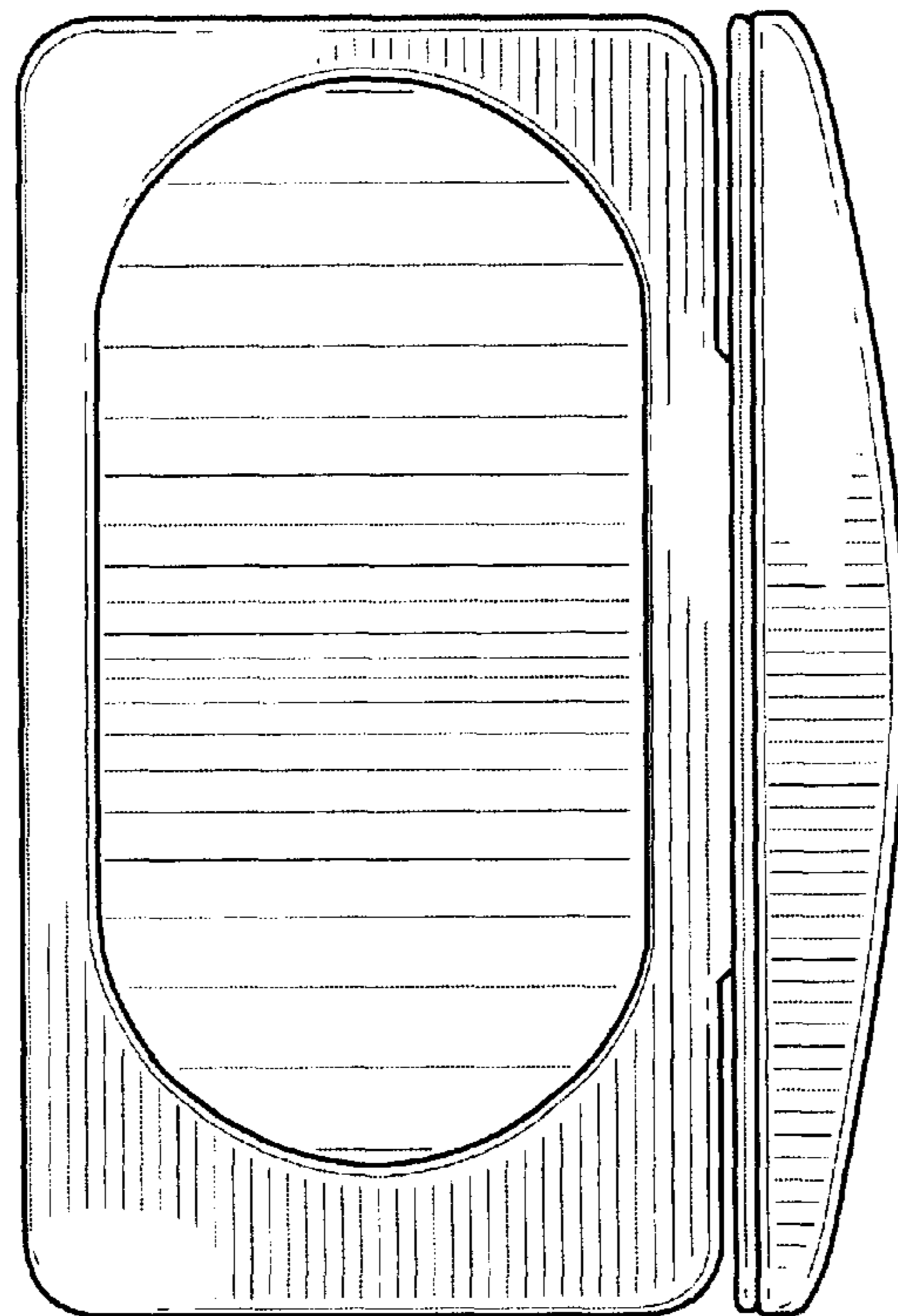


FIG. 4

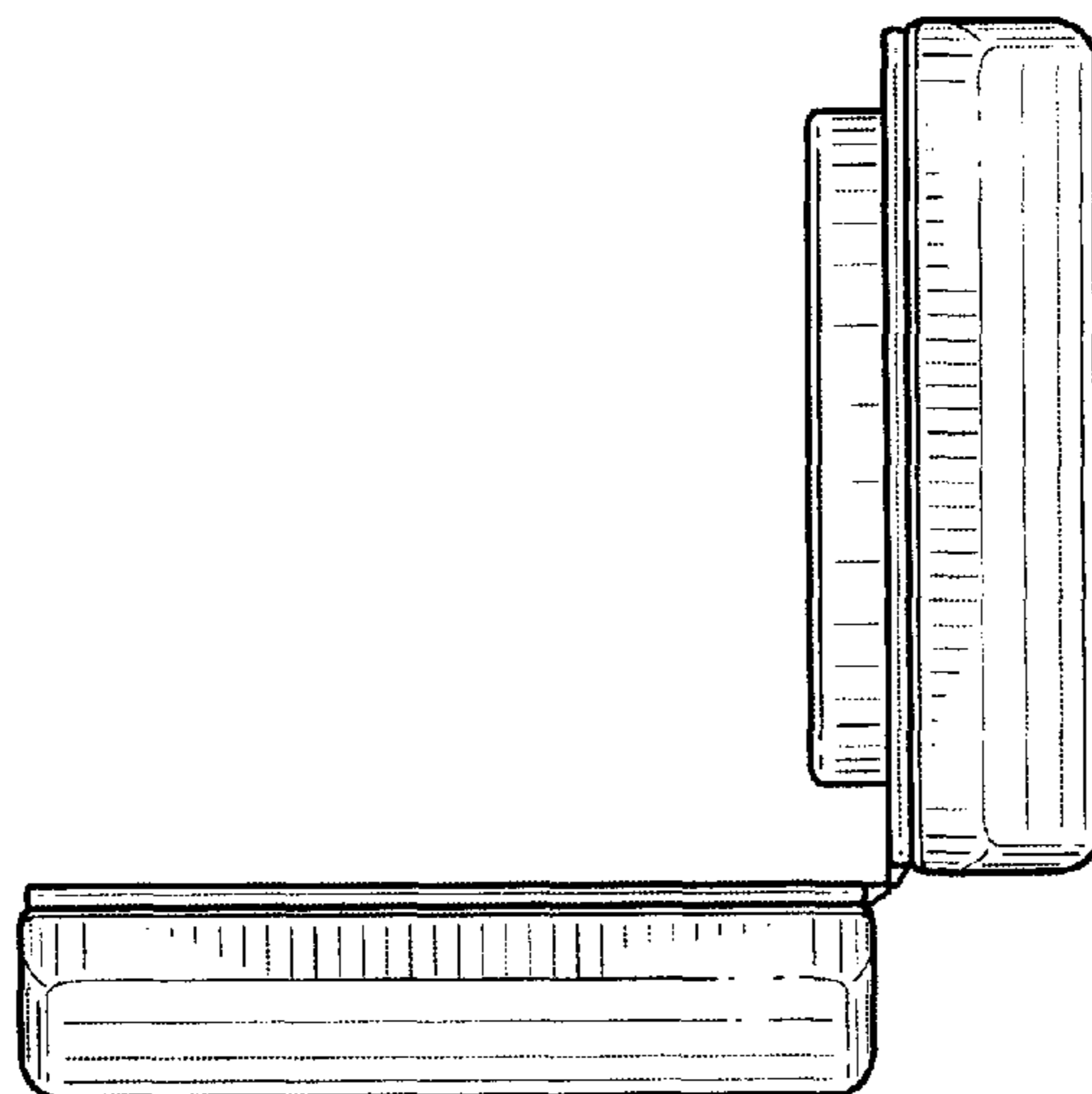


FIG. 6

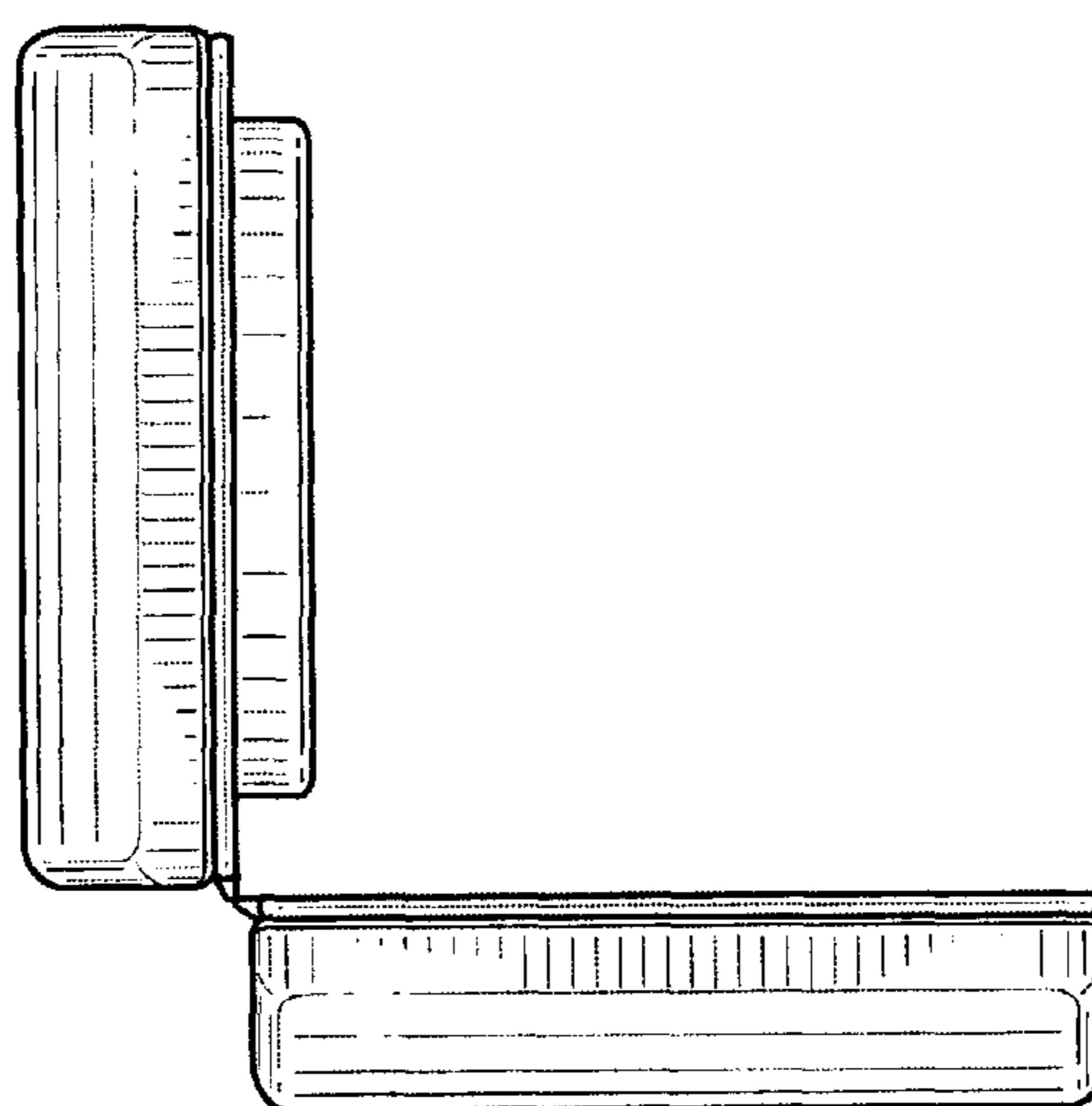


FIG. 7