



US00D534420S

(12) **United States Design Patent**
Fager

(10) **Patent No.:** **US D534,420 S**

(45) **Date of Patent:** **** Jan. 2, 2007**

(54) **SINGLE COMPARTMENT HINGED CONTAINER**

(75) Inventor: **Roger P. Fager**, Mt. Horeb, WI (US)

(73) Assignee: **Plastic Ingenuity, Inc.**, Cross Plains, WI (US)

(**) Term: **14 Years**

(21) Appl. No.: **29/224,136**

(22) Filed: **Feb. 25, 2005**

(51) **LOC (8) Cl.** **09-03**

(52) **U.S. Cl.** **D9/420; D9/429**

(58) **Field of Classification Search** D9/420,
D9/419, 422, 424-430; D7/602, 629; 206/482,
206/508, 510, 541, 543; 229/108, 406
See application file for complete search history.

(56) **References Cited**

U.S. PATENT DOCUMENTS

D218,155 S	7/1970	Britt	
3,902,540 A	9/1975	Commisso	
D241,822 S	10/1976	Jewell	
4,096,986 A	6/1978	Florian	
4,183,446 A *	1/1980	Davis	220/4.23
D277,167 S	1/1985	Dart	
D280,605 S *	9/1985	Karlik	D9/426
D317,410 S *	6/1991	Ott et al.	D9/426
D320,743 S	10/1991	Alexander et al.	

D323,114 S *	1/1992	Sheehan	D9/420
5,860,530 A *	1/1999	Simmons et al.	206/557
D408,734 S	4/1999	McCann	
5,950,854 A	9/1999	Rider et al.	
6,093,460 A	7/2000	Iwaya	
6,257,401 B1	7/2001	Mangla et al.	
6,349,847 B1	2/2002	Mangla et al.	

* cited by examiner

Primary Examiner—Stella Reid

Assistant Examiner—Derrick Holland

(74) *Attorney, Agent, or Firm*—Foley & Lardner LLP

(57) **CLAIM**

I claim the ornamental design for a single compartment hinged container, as shown and described.

DESCRIPTION

FIG. 1 is a perspective view of a single compartment hinged container showing my new design, with the container partially open;

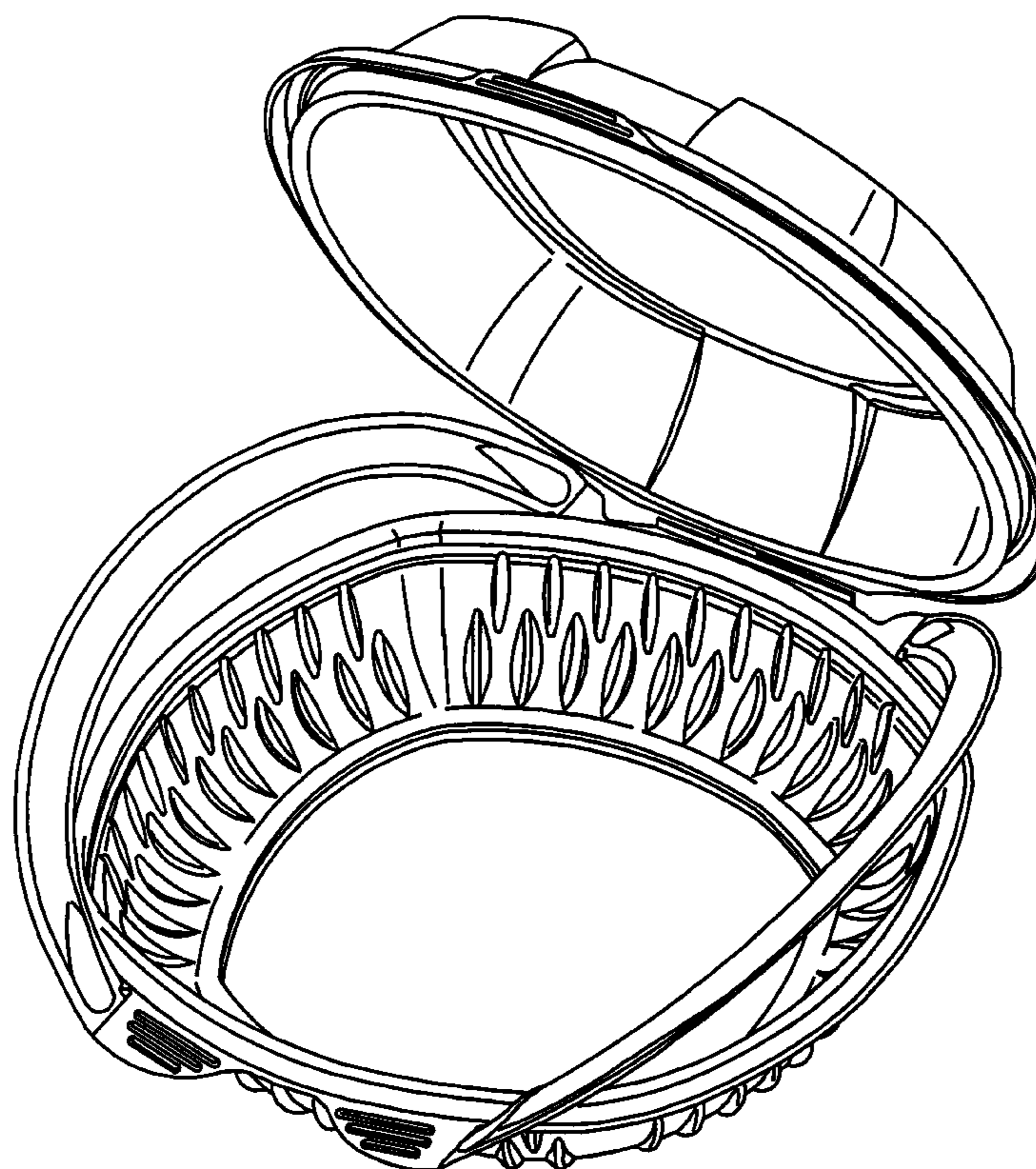
FIG. 2 is a perspective view thereof, with the container closed;

FIG. 3 is a top plan view thereof, with the container fully open;

FIG. 4 is a bottom plan view thereof, with the container fully open; and,

FIG. 5 is a side plan view thereof, with the container fully open.

1 Claim, 4 Drawing Sheets



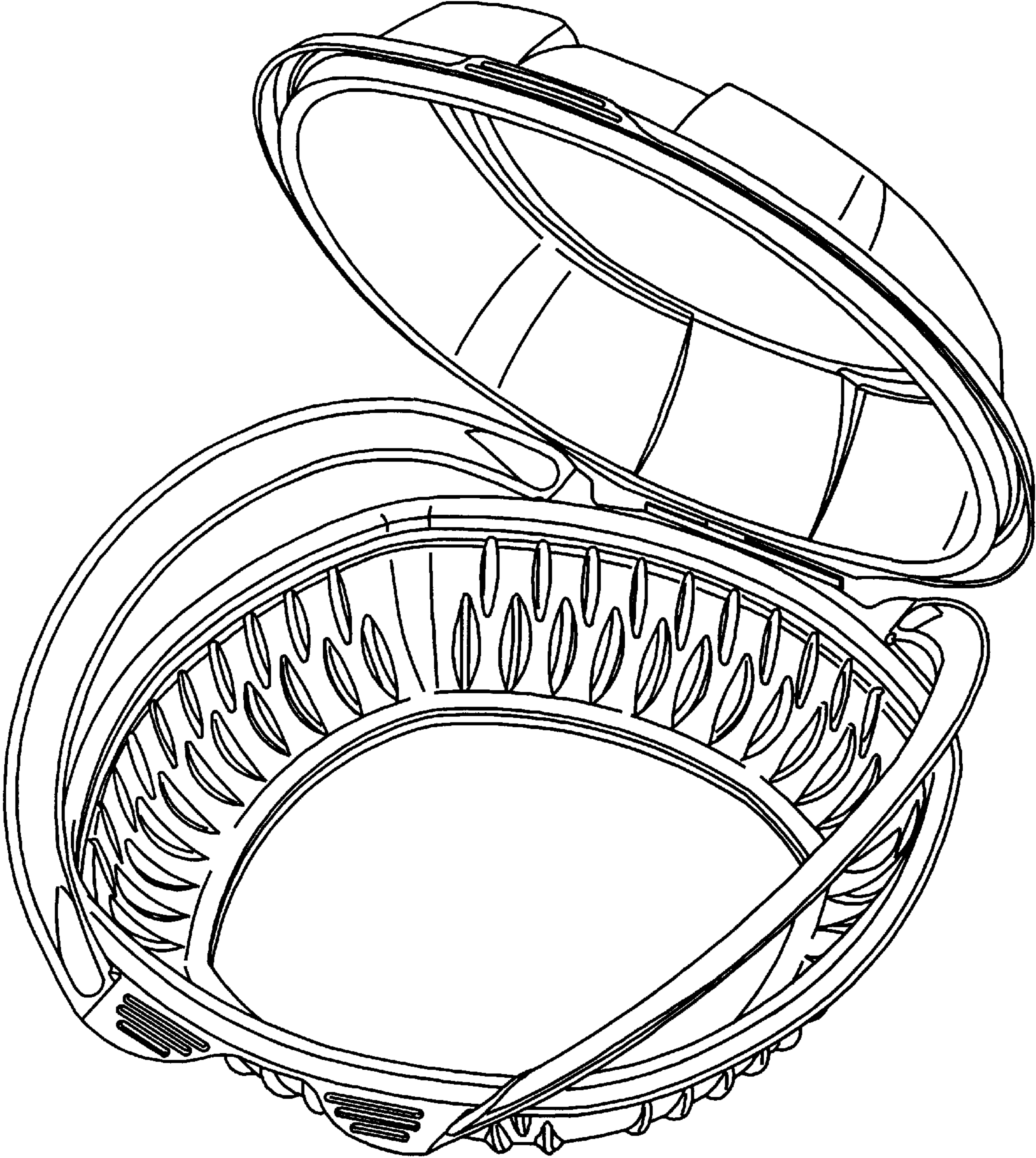


FIG. 1

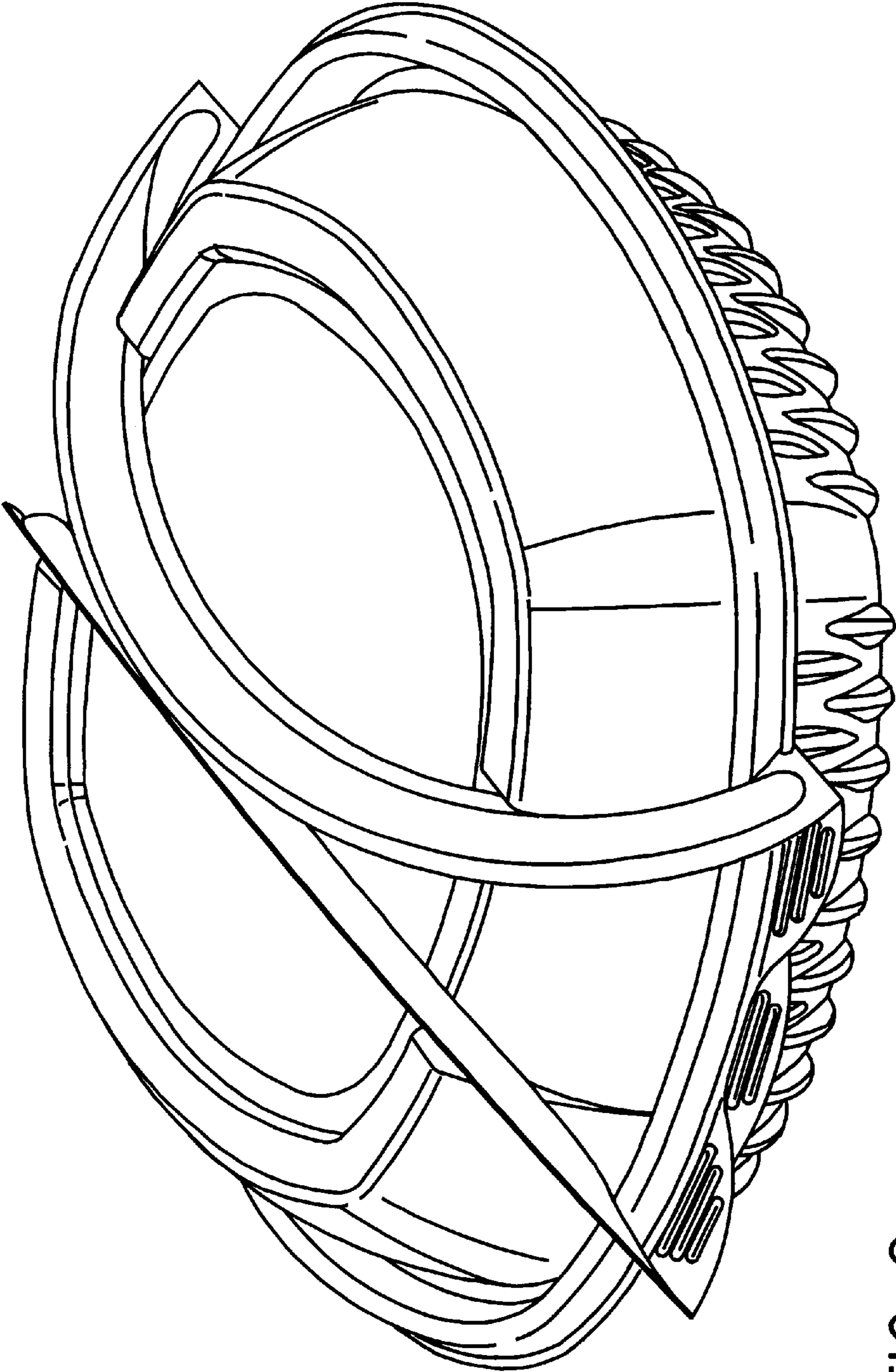


FIG. 2

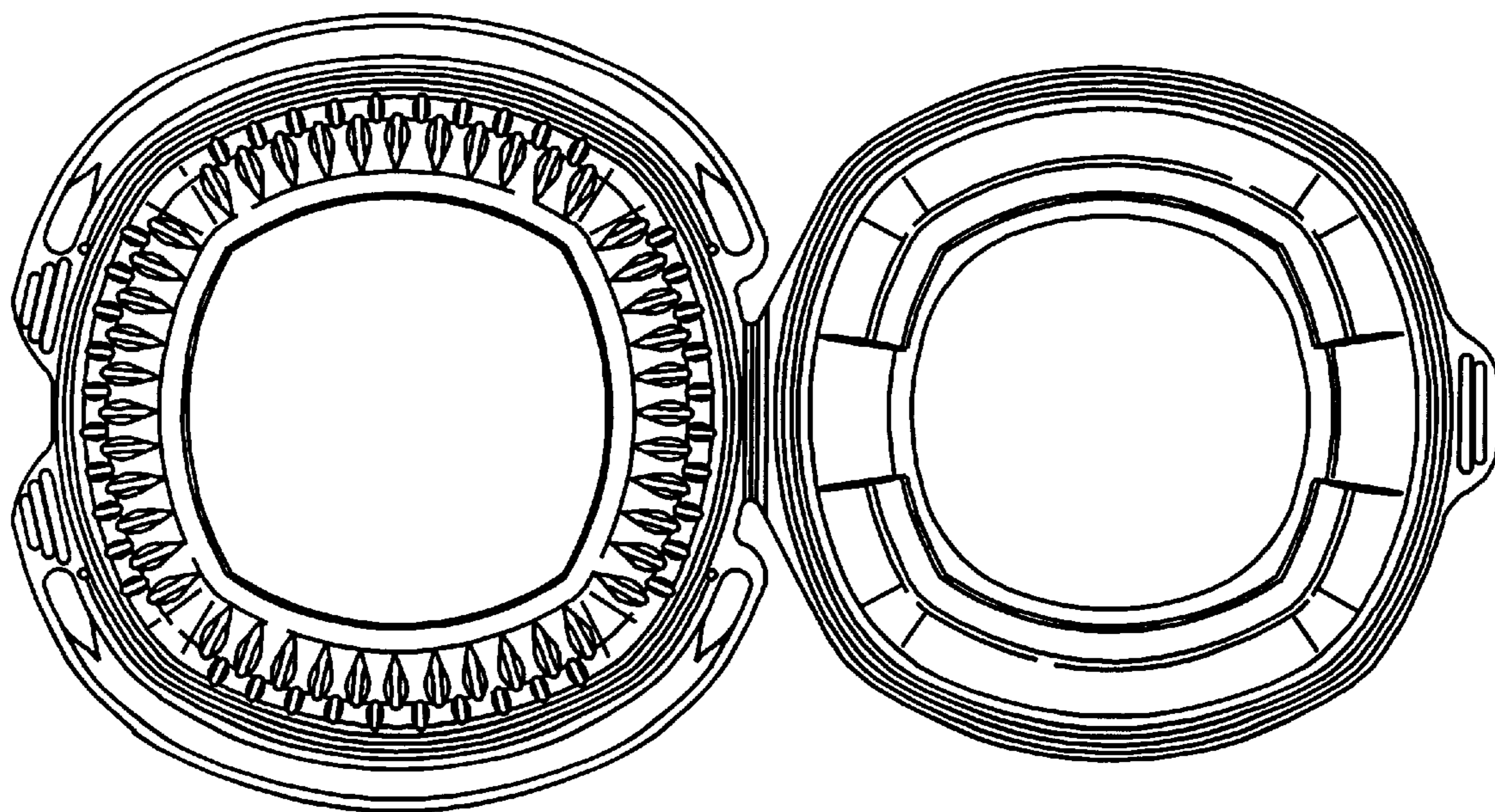


FIG. 3

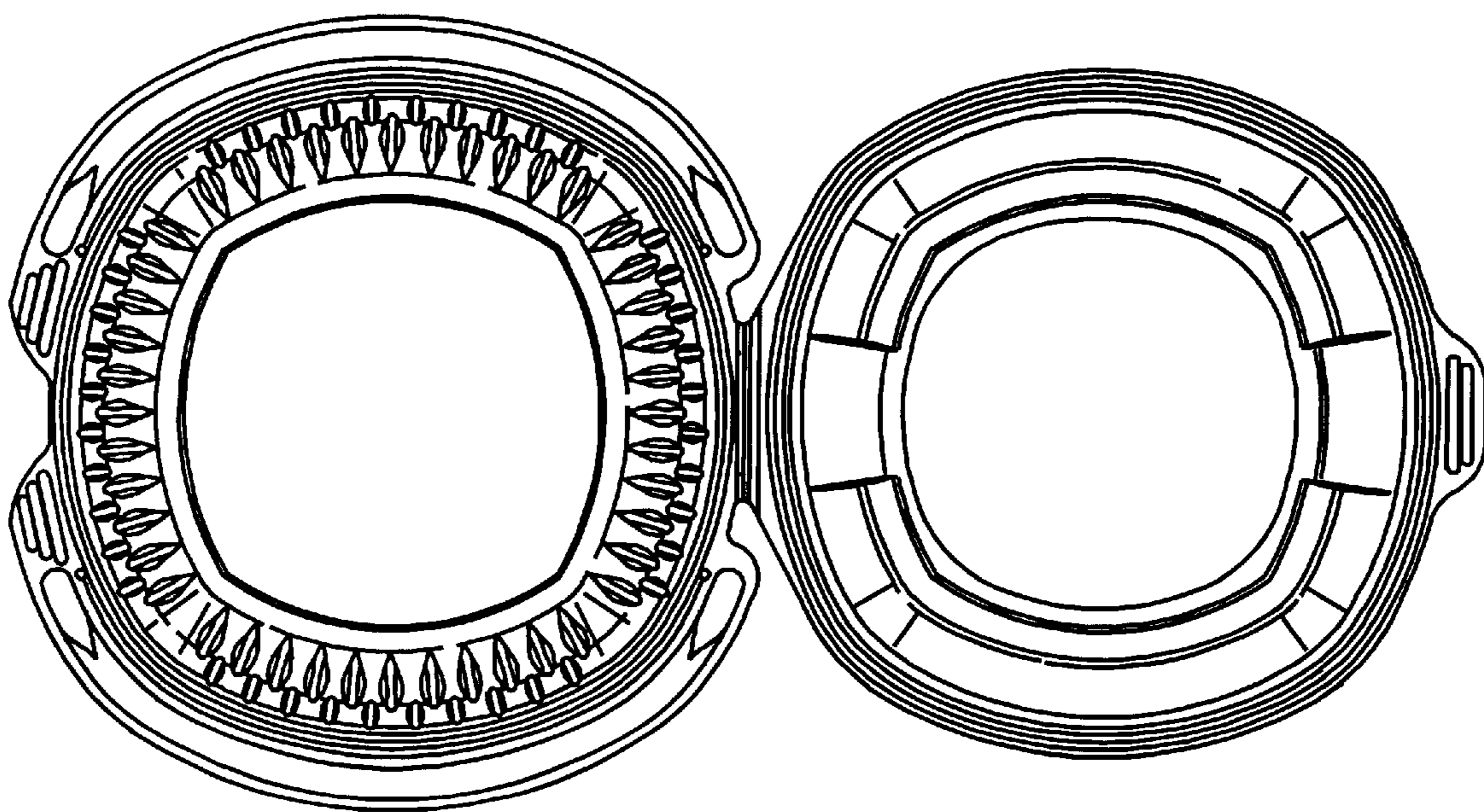


FIG. 4



FIG. 5