



US00D534418S

(12) **United States Design Patent** (10) **Patent No.:** **US D534,418 S**
Minor et al. (45) **Date of Patent:** **** Jan. 2, 2007**

(54) **RE-BAR CLAMP**
(75) Inventors: **Jack M. Minor**, Lafayette, CO (US);
Brent W. Murray, Longmont, CO (US)

6,684,595 B1 2/2004 Sorkin
2003/0000170 A1 1/2003 Sorkin
2003/0197108 A1 10/2003 Domizio
2004/0031228 A1 2/2004 Hardy, Jr. et al.
2004/0040247 A1 3/2004 Morse

(73) Assignee: **J.M. Minor Enterprises, Inc.**,
Lafayette, CO (US)

FOREIGN PATENT DOCUMENTS

(**) Term: **14 Years**

DE 823 648 12/1951
FR 2151236 4/1973
GB 1142886 2/1969
GB 1250021 10/1971

(21) Appl. No.: **29/231,625**

(22) Filed: **Jun. 8, 2005**

OTHER PUBLICATIONS

(51) **LOC (8) Cl.** **08-08**
(52) **U.S. Cl.** **D8/396; D8/354**
(58) **Field of Classification Search** D8/356,
D8/371, 394-396, 499, 53, 354, 100, 365;
D12/51; D19/65, 90; D28/39, 40, 42; 24/546,
24/563, 910, 327, 334, DIG. 8, DIG. 9, DIG. 13,
24/DIG. 28; 248/74.2, 300, 301, 316.7, 229.26
See application file for complete search history.

U.S. Appl. No. 29/231,770, filed Jun. 9, 2005 Applicant:
Jack M. Minor et al., issued.
U.S. Appl. No. 29/231,626, filed Jun. 8, 2005 Applicant:
Brent W. Murray, issued.
Jack M. Minor, et al, U.S. Appl. No. 29/211,496, filed Aug.
17, 2004.
Jack M. Minor, U.S. Appl. No. 60/598,157, filed Aug. 2,
2004.

* cited by examiner

(56) **References Cited**

U.S. PATENT DOCUMENTS

D201,387 S 6/1965 Reeves
3,673,753 A 7/1972 Anderson
3,788,025 A 1/1974 Holmes
D281,952 S 12/1985 Farmer et al.
4,575,985 A 3/1986 Eckenrodt
4,598,523 A 7/1986 Tolliver
4,610,122 A 9/1986 De Clercq
D301,333 S * 5/1989 Bongard et al. D13/156
4,835,933 A 6/1989 Yung
5,323,582 A 6/1994 Watson
5,371,991 A 12/1994 Bechtel et al.
D355,582 S 2/1995 Sleight D8/354
5,688,428 A 11/1997 Maguire
5,730,432 A 3/1998 Gendreau et al.
5,752,860 A 5/1998 Greaves
5,878,546 A 3/1999 Westover
5,893,252 A 4/1999 Hardy, Jr. et al.
D414,680 S 10/1999 Mathews
6,017,014 A 1/2000 Maguire
6,112,494 A 9/2000 Hardy, Jr. et al.
6,276,108 B1 * 8/2001 Padrun 52/684
6,385,938 B1 5/2002 Gavin
6,684,594 B1 2/2004 Sorkin

Primary Examiner—Louis S. Zarfaz
Assistant Examiner—John Windmuller
(74) *Attorney, Agent, or Firm*—Patent Law Offices of Rick
Martin, PC

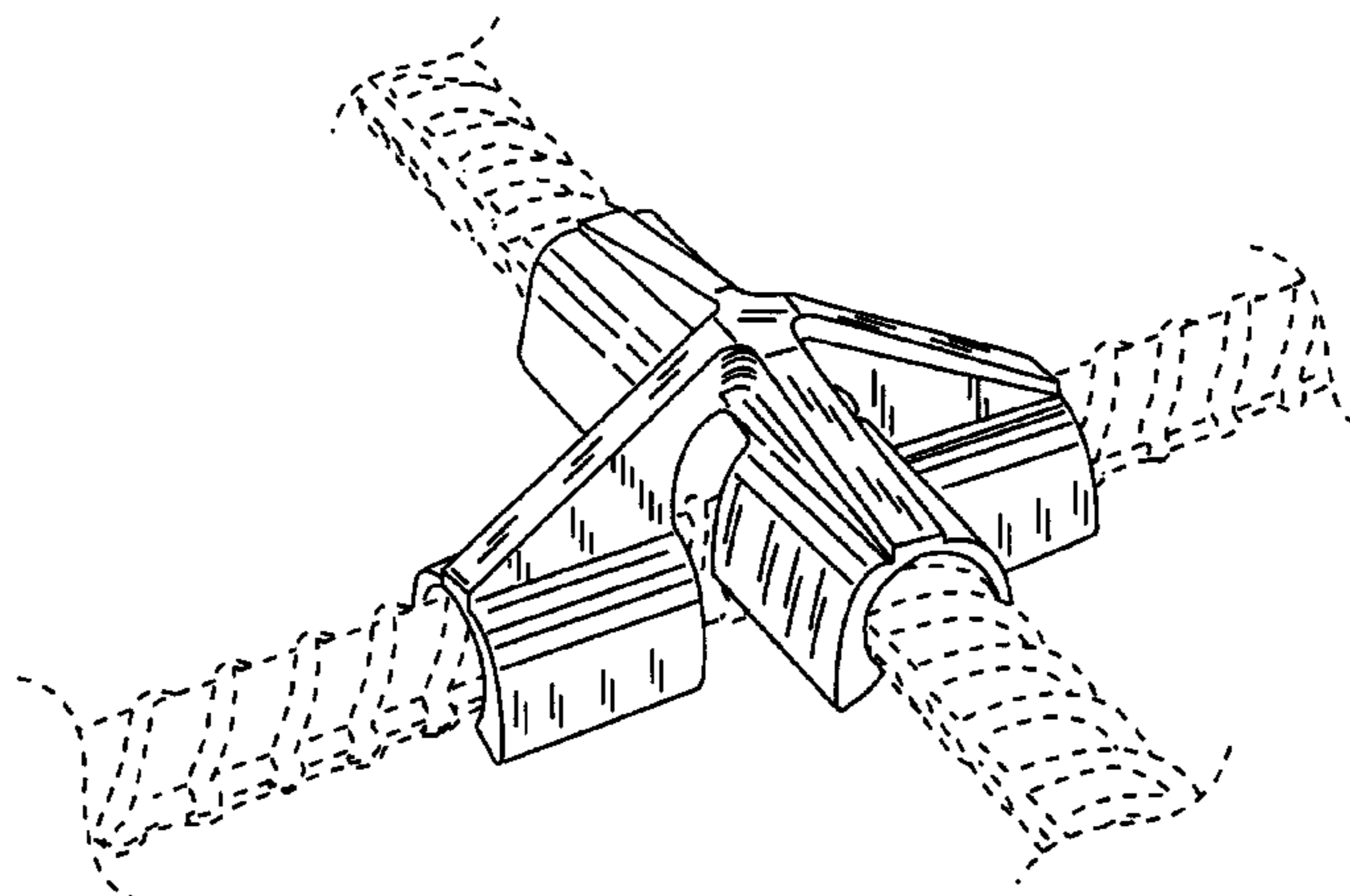
(57) **CLAIM**

The ornamental design for a re-bar clamp, as shown and
described.

DESCRIPTION

FIG. 1 is a top perspective view of our new design for a
re-bar clamp, the dotted lines indicate re-bar, which is for
illustrative purposes only and not part of the claimed design.
FIG. 2 is a side elevation view of the front and back sides,
which are identical, of the FIG. 1 clamp.
FIG. 3 is a top plan view of the FIG. 1 clamp.
FIG. 4 is a bottom plan view of the FIG. 1 clamp.
FIG. 5 is a side elevation view of the left and right sides,
which are identical, of the FIG. 1 clamp; and,
FIG. 6 is a bottom perspective view of the FIG. 1 clamp
illustrating the underside of the re-bar clamp.

1 Claim, 3 Drawing Sheets



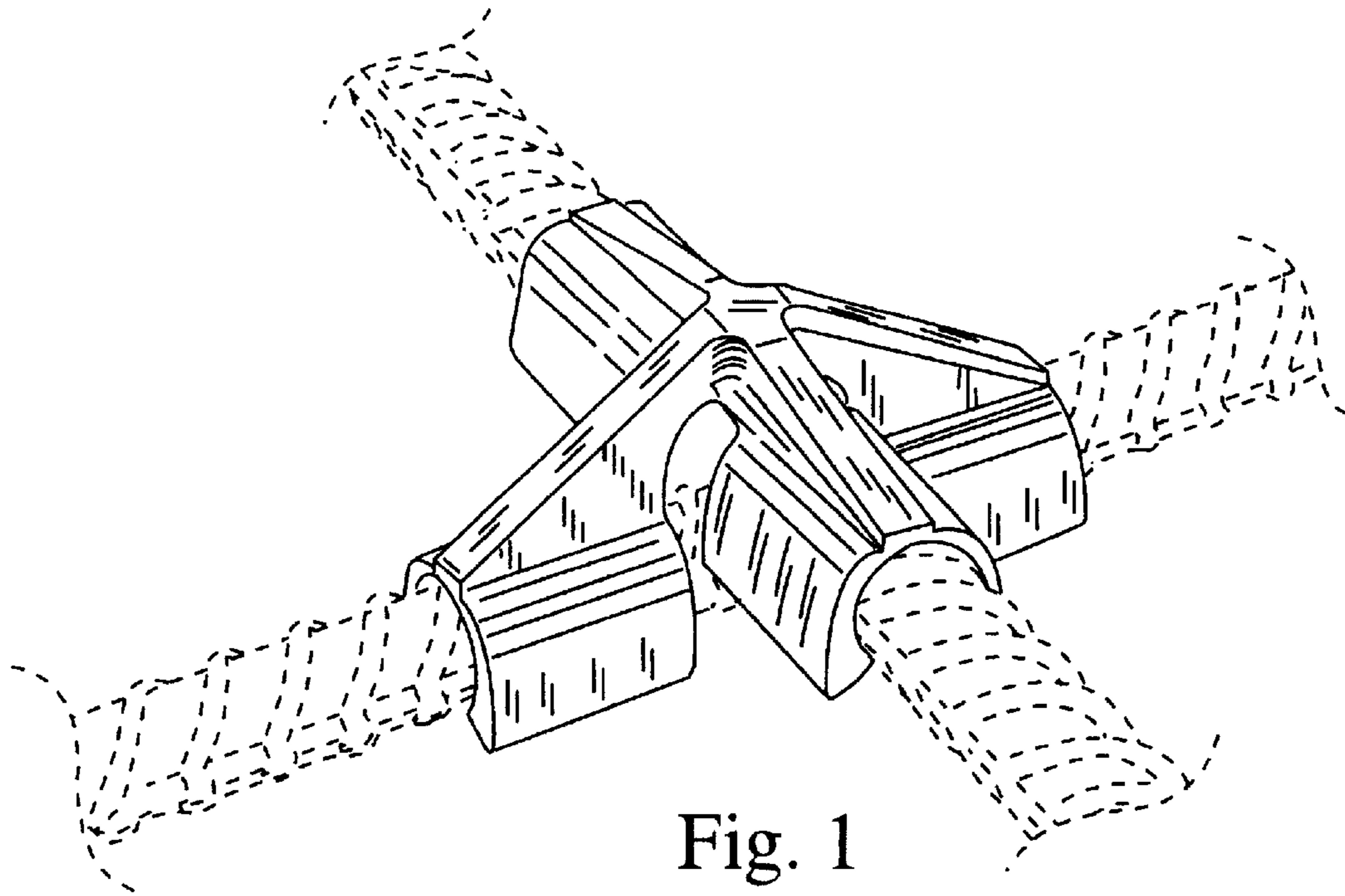


Fig. 1

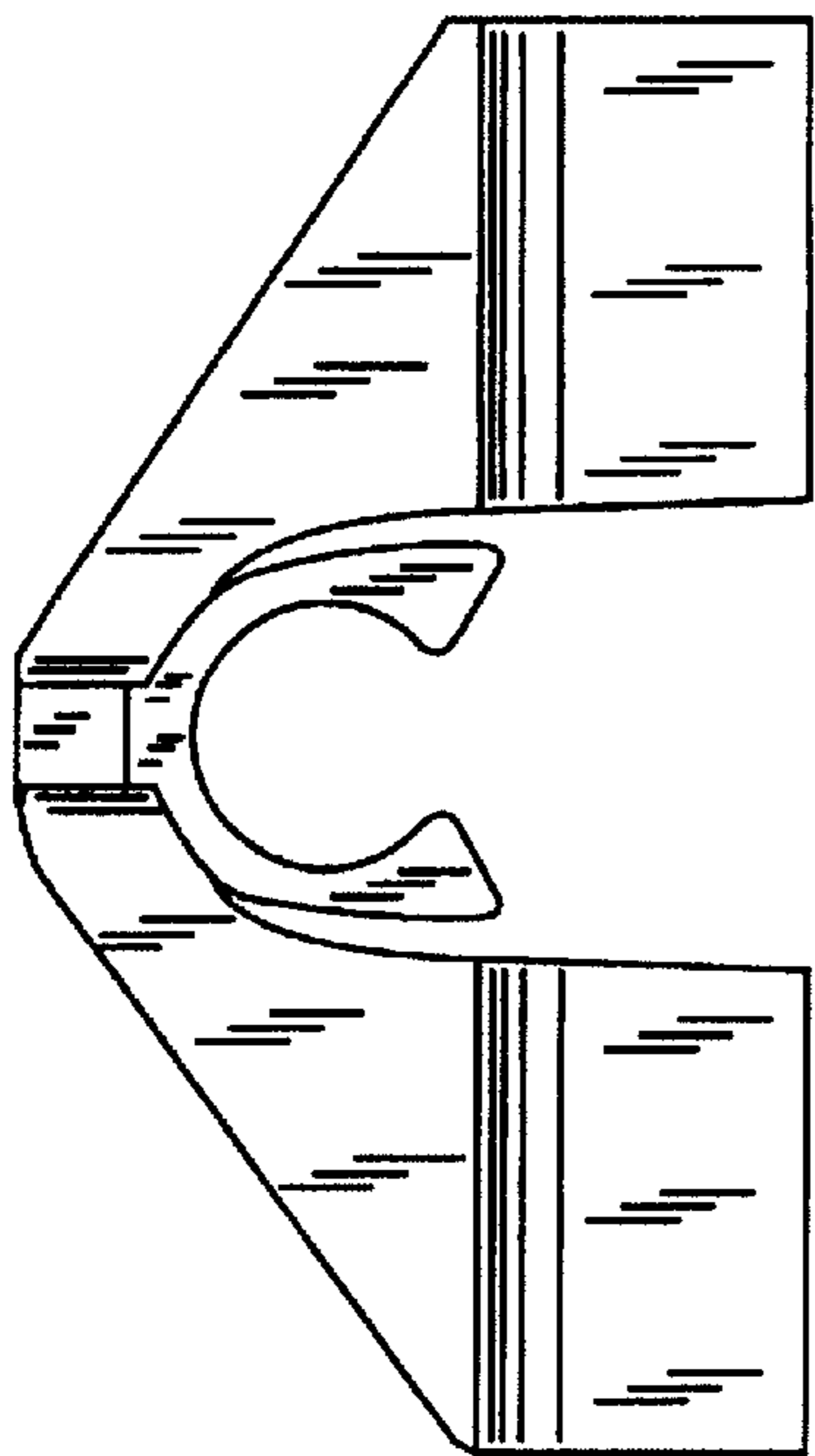


Fig. 2

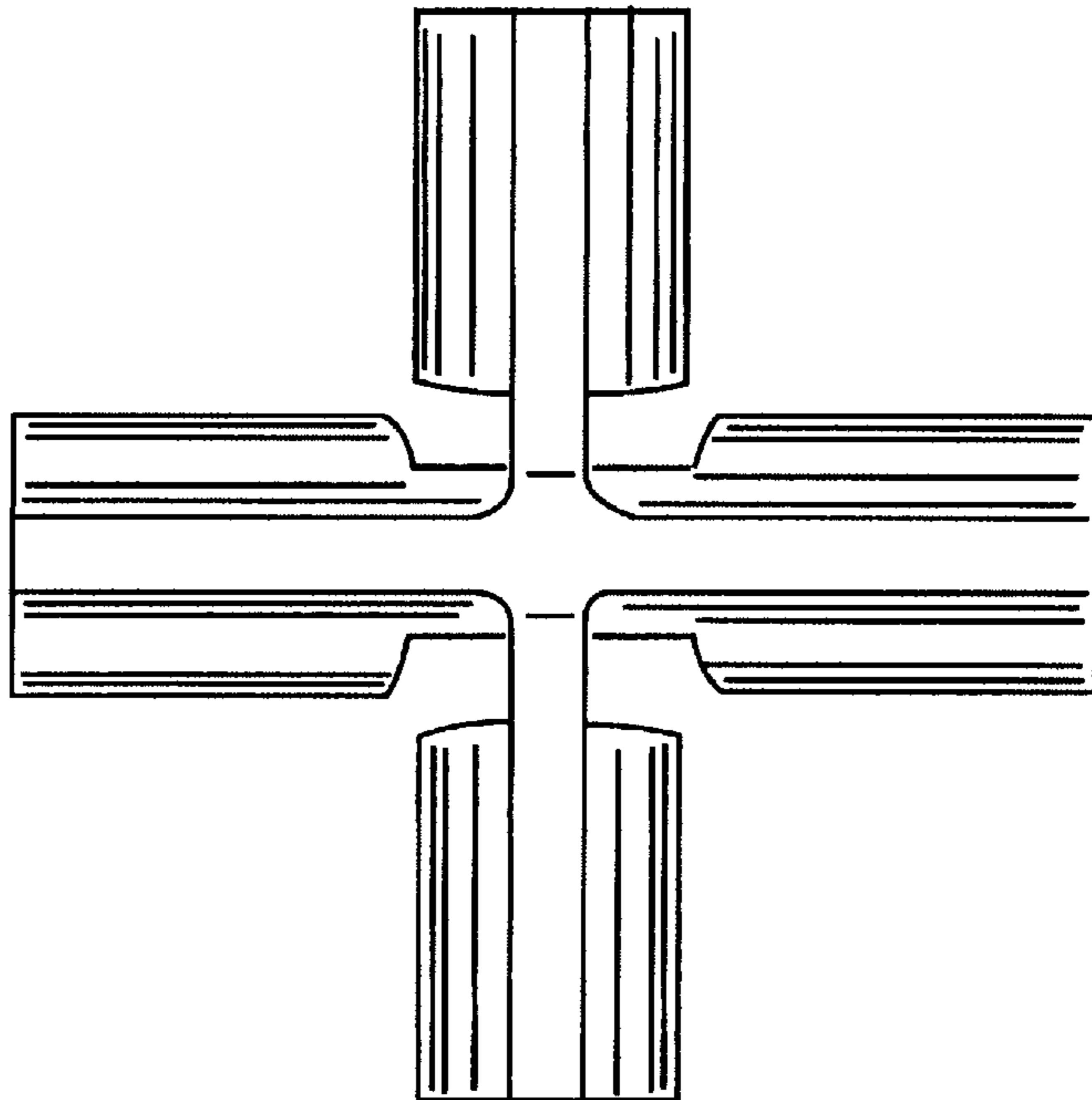


Fig. 3

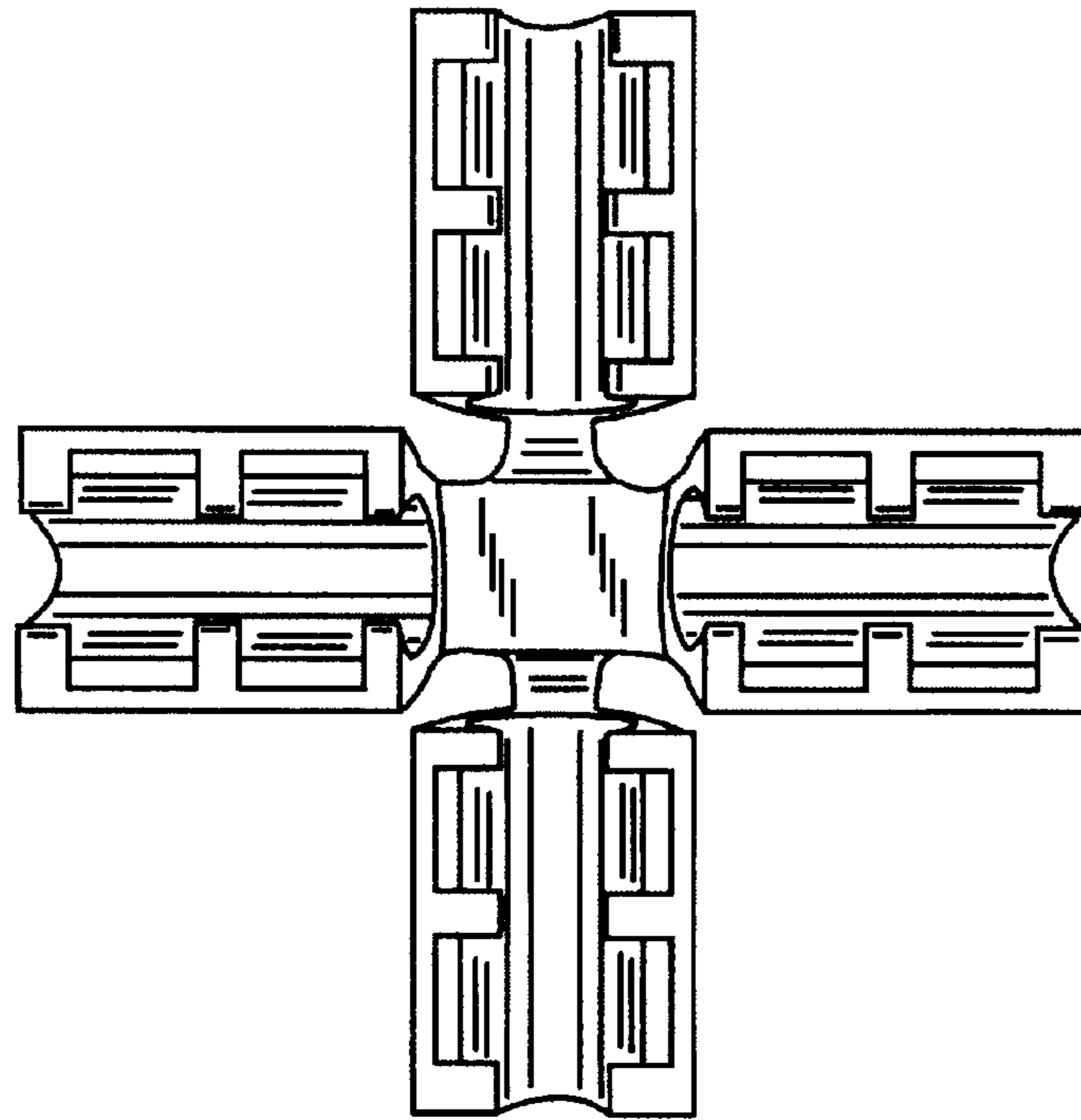


Fig. 4

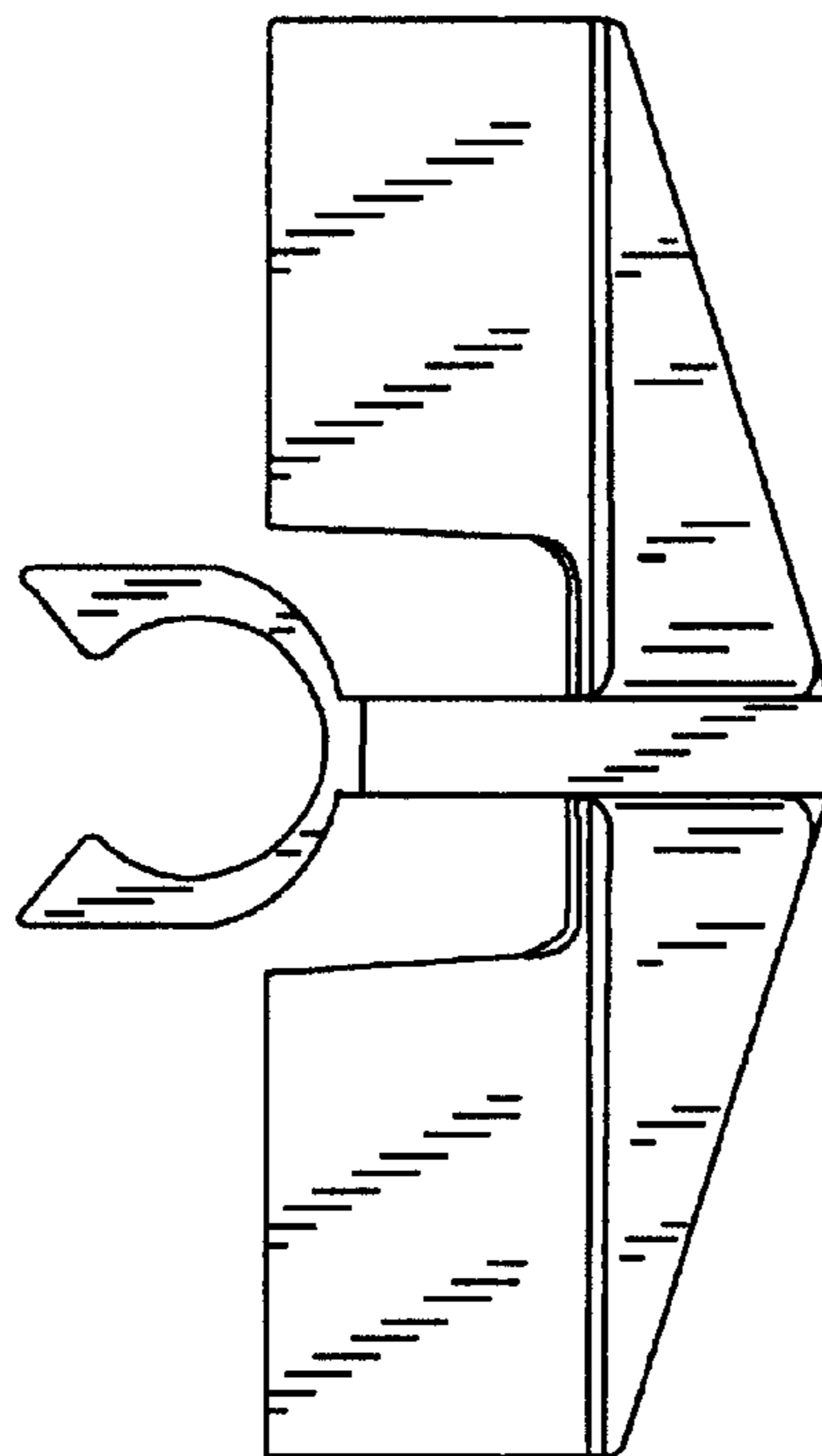


Fig. 5

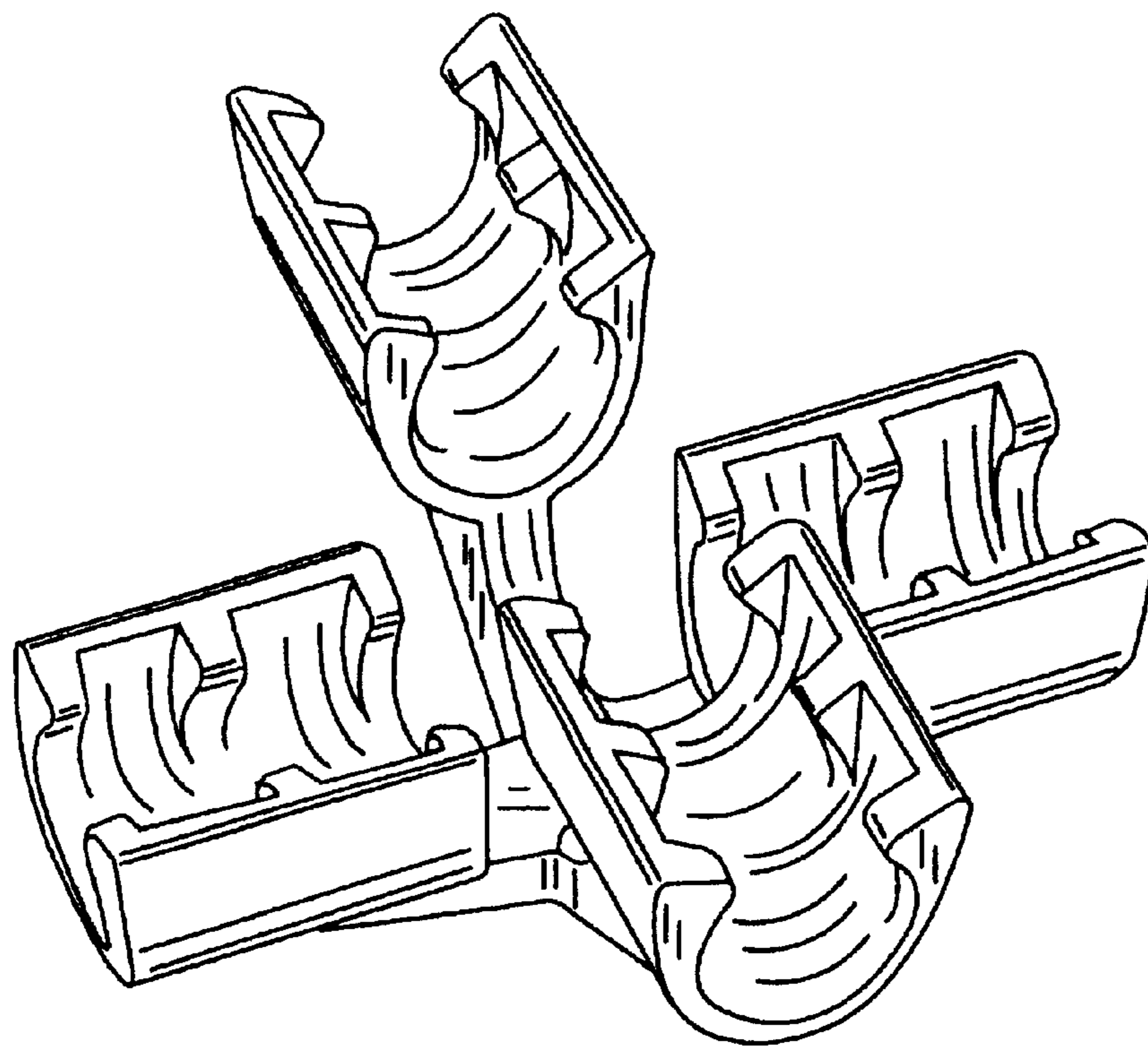


Fig. 6