



US00D534415S

(12) **United States Design Patent**
Salice

(10) **Patent No.:** **US D534,415 S**

(45) **Date of Patent:** **** Jan. 2, 2007**

(54) **HOUSING FOR A PIN SWITCH OR
DECELERATOR FOR FURNITURE OR THE
LIKE**

(75) Inventor: **Luciano Salice**, Carimate (IT)

(73) Assignee: **Arturo Salice S.p.A.**, Novedrate (IT)

(**) Term: **14 Years**

(21) Appl. No.: **29/194,352**

(22) Filed: **Nov. 21, 2003**

(30) **Foreign Application Priority Data**

May 21, 2003 (EM) 000023296

(51) **LOC (8) Cl.** **08-09**

(52) **U.S. Cl.** **D8/349; D8/323**

(58) **Field of Classification Search** D8/323,
D8/324, 325, 326, 327, 328, 329, 349, 354,
D8/356, 397; 16/234-237, 239, 241, 245-246,
16/249, 254, 261-262, 265, 272, 277, 307,
16/319, 335, 339, 342, 379, 381-383, 384,
16/385, 386, 387, 388, 389, 221, DIG. 13,
16/84, 85, 372; 4/236, 237, 238, 239, 240;
D23/303; 248/200, 221.11, 300, 309.1, 317;
D7/334, 337, 402

See application file for complete search history.

(56) **References Cited**

U.S. PATENT DOCUMENTS

1,464,448 A * 8/1923 Silberman 16/84

1,816,024 A * 7/1931 Petersen 16/85
D263,420 S * 3/1982 Johnson D23/395
D268,893 S * 5/1983 Salice D8/323
4,775,768 A * 10/1988 Kanbar 200/61.62
4,967,045 A * 10/1990 Keefer 200/61.76
5,220,706 A * 6/1993 Bivens 16/84
5,946,772 A * 9/1999 DeBower 16/84
D427,511 S * 7/2000 Weld D8/397
6,408,483 B1 * 6/2002 Salice 16/85
6,553,617 B1 * 4/2003 Salice 16/85
2001/0007164 A1 * 7/2001 Arisaka et al. 16/84
2004/0200034 A1 * 10/2004 Salice 16/84
2004/0201154 A1 * 10/2004 Salice 16/85
2004/0231099 A1 * 11/2004 Li 16/85

* cited by examiner

Primary Examiner—T. Chase Nelson

(74) *Attorney, Agent, or Firm*—Abelman, Frayne & Schwab

(57) **CLAIM**

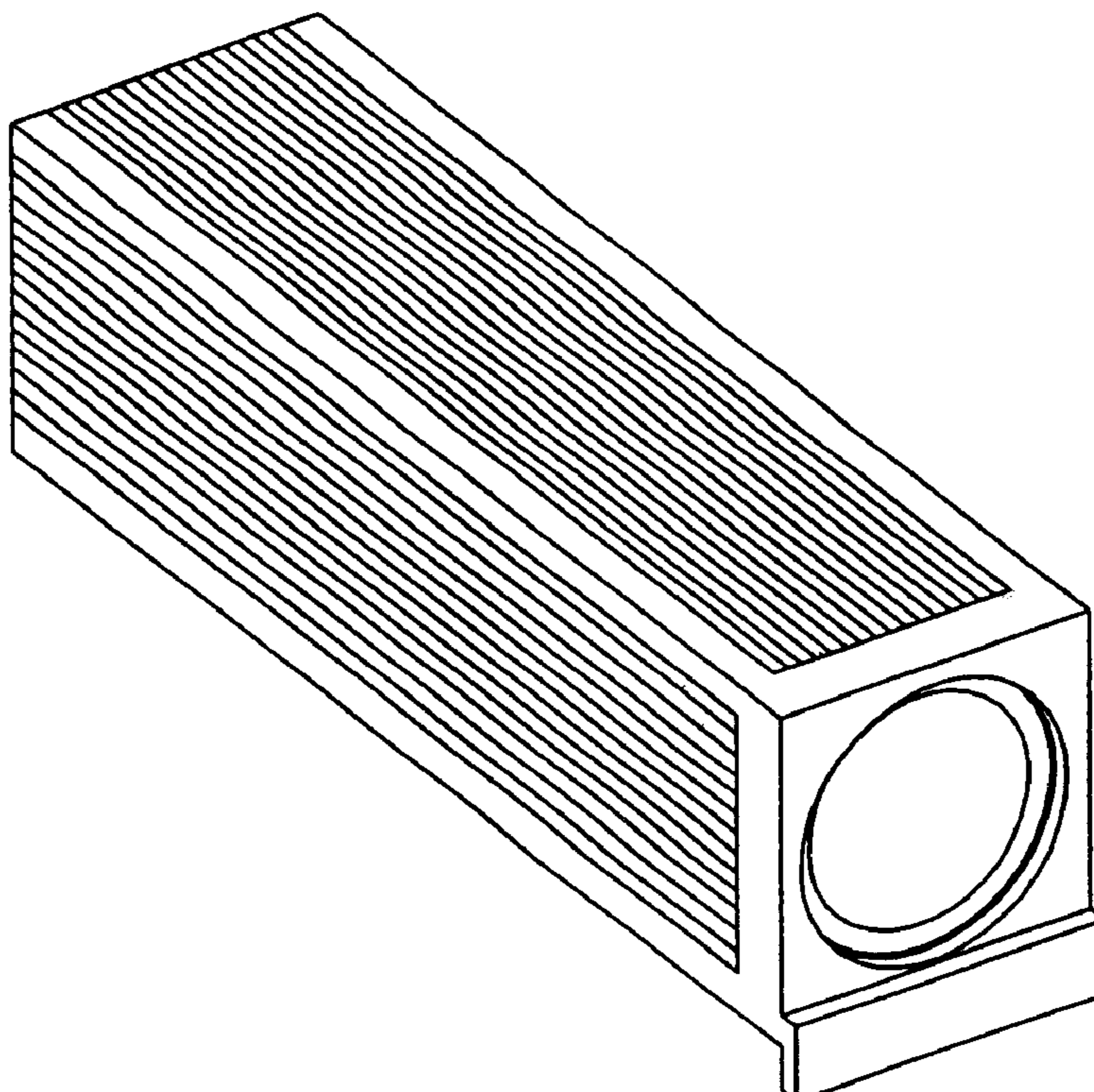
The ornamental design for a housing for a pin switch or decelerator for furniture or the like, as shown and described.

DESCRIPTION

FIG. 1 is a front, top, and left side perspective view of the housing for a pin switch or decelerator for furniture or the like; and,

FIG. 2 is a rear, top, and right side perspective view thereof.

1 Claim, 1 Drawing Sheet



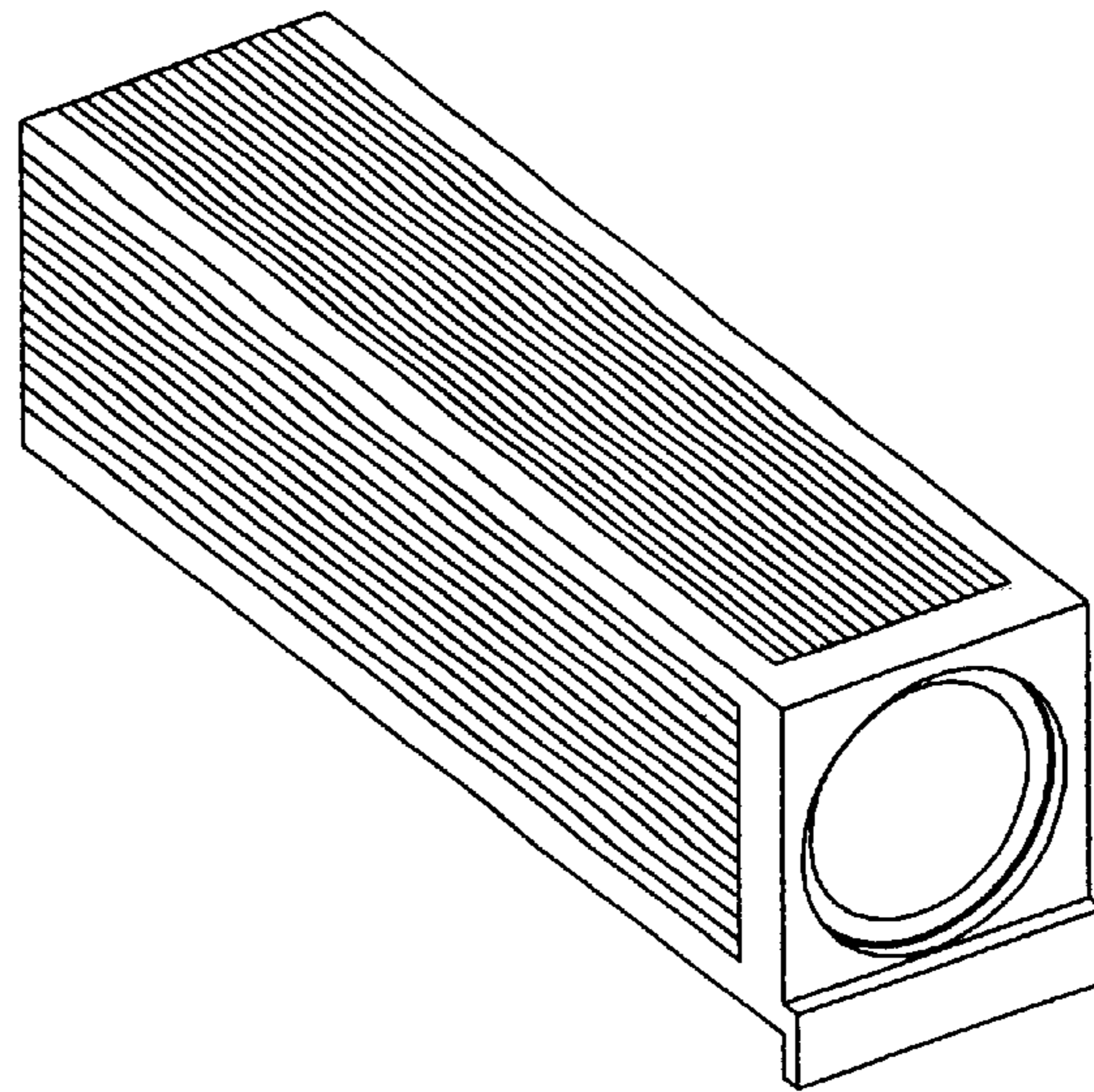


FIG. 1

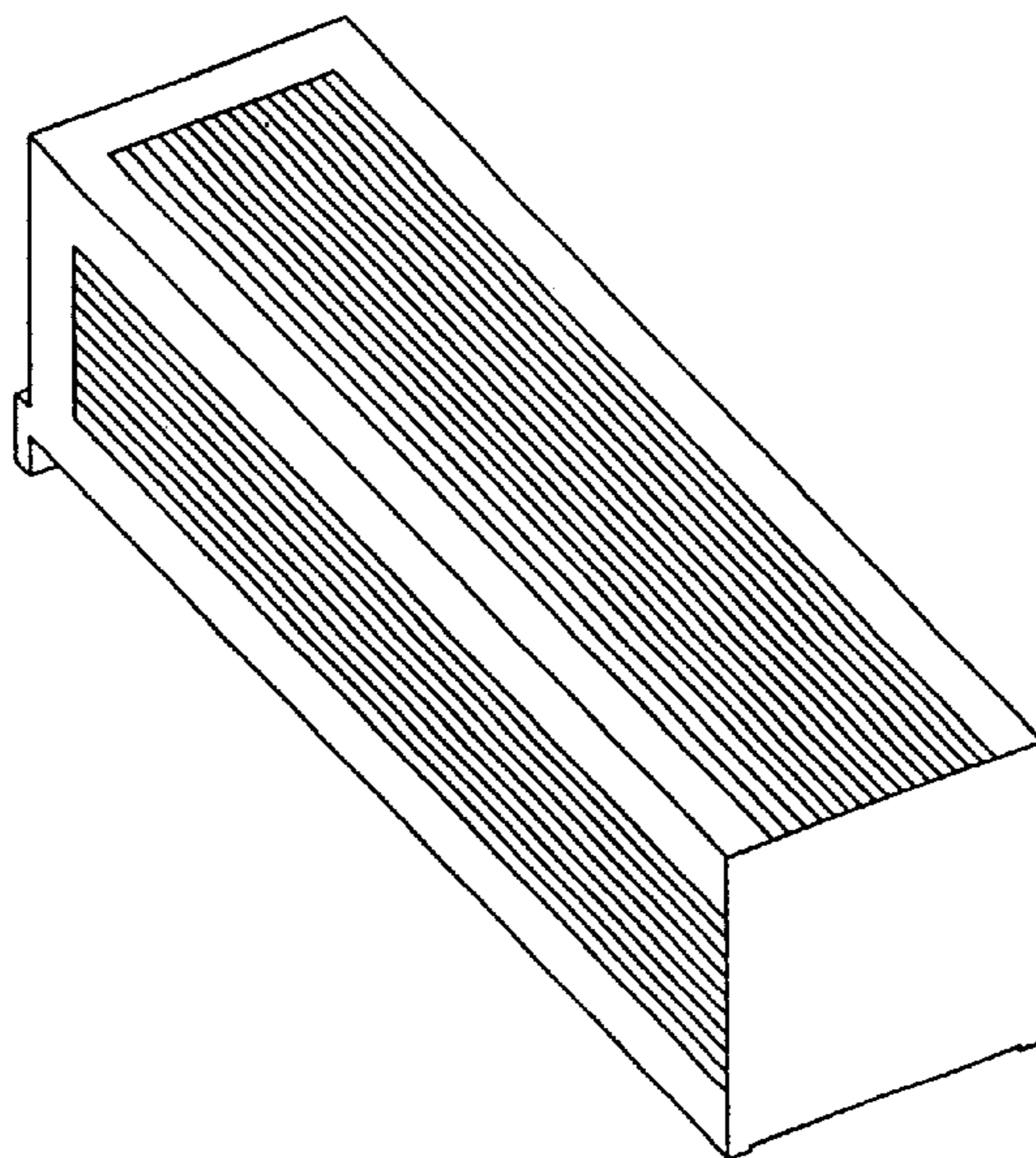


FIG. 2