



US00D534414S

(12) **United States Design Patent**  
**Stifle et al.**

(10) **Patent No.:** **US D534,414 S**  
(45) **Date of Patent:** **\*\* Jan. 2, 2007**

(54) **ELECTRONIC KEY**  
(75) Inventors: **William Stifle**, Rogers, MN (US); **Dean Daniels**, Rosemount, MN (US)  
(73) Assignee: **Datakey Electronics, Inc.**, Savage, MN (US)  
(\*\*) Term: **14 Years**

D278,836 S 5/1985 Flies  
D279,586 S 7/1985 Flies  
D291,897 S 9/1987 Flies  
4,922,736 A \* 5/1990 Tanaka et al. .... 70/277  
D332,045 S \* 12/1992 Moore ..... D8/347  
D345,686 S 4/1994 Boehner  
6,216,501 B1 \* 4/2001 Marquardt et al. .... 70/252

\* cited by examiner

*Primary Examiner*—Prabhakar Deshmukh  
(74) *Attorney, Agent, or Firm*—Dorsey & Whitney LLP

(21) Appl. No.: **29/253,388**  
(22) Filed: **Feb. 6, 2006**

(57) **CLAIM**

The ornamental design for an electronic key, as shown and described.

(51) **LOC (8) Cl.** ..... **08-07**  
(52) **U.S. Cl.** ..... **D8/347**  
(58) **Field of Classification Search** ..... D8/347,  
D8/348; 70/353, 402, 405, 413, 277, 336,  
70/344

**DESCRIPTION**

See application file for complete search history.

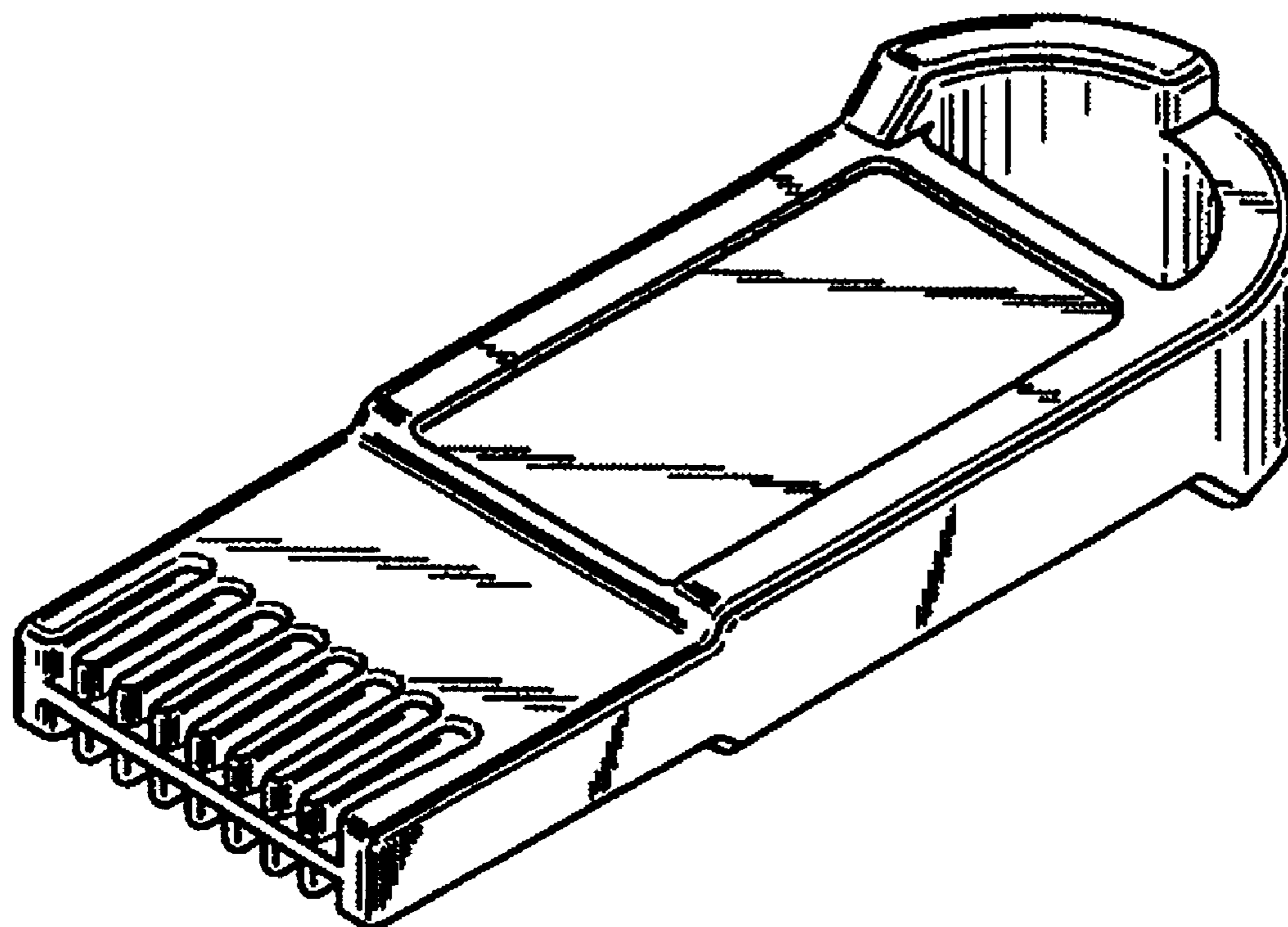
FIG. 1 is a top, front, and right side perspective view of an electronic key.  
FIG. 2 is a top plan view of the electronic key of FIG. 1.  
FIG. 3 is a bottom plan view of the electronic key of FIG. 1.  
FIG. 4 is a left side view of the electronic key of FIG. 1.  
FIG. 5 is a right side view of the electronic key of FIG. 1.  
FIG. 6 is a front elevational view of the electronic key of FIG. 1; and,  
FIG. 7 is a rear elevational view of the electronic key of FIG. 1.

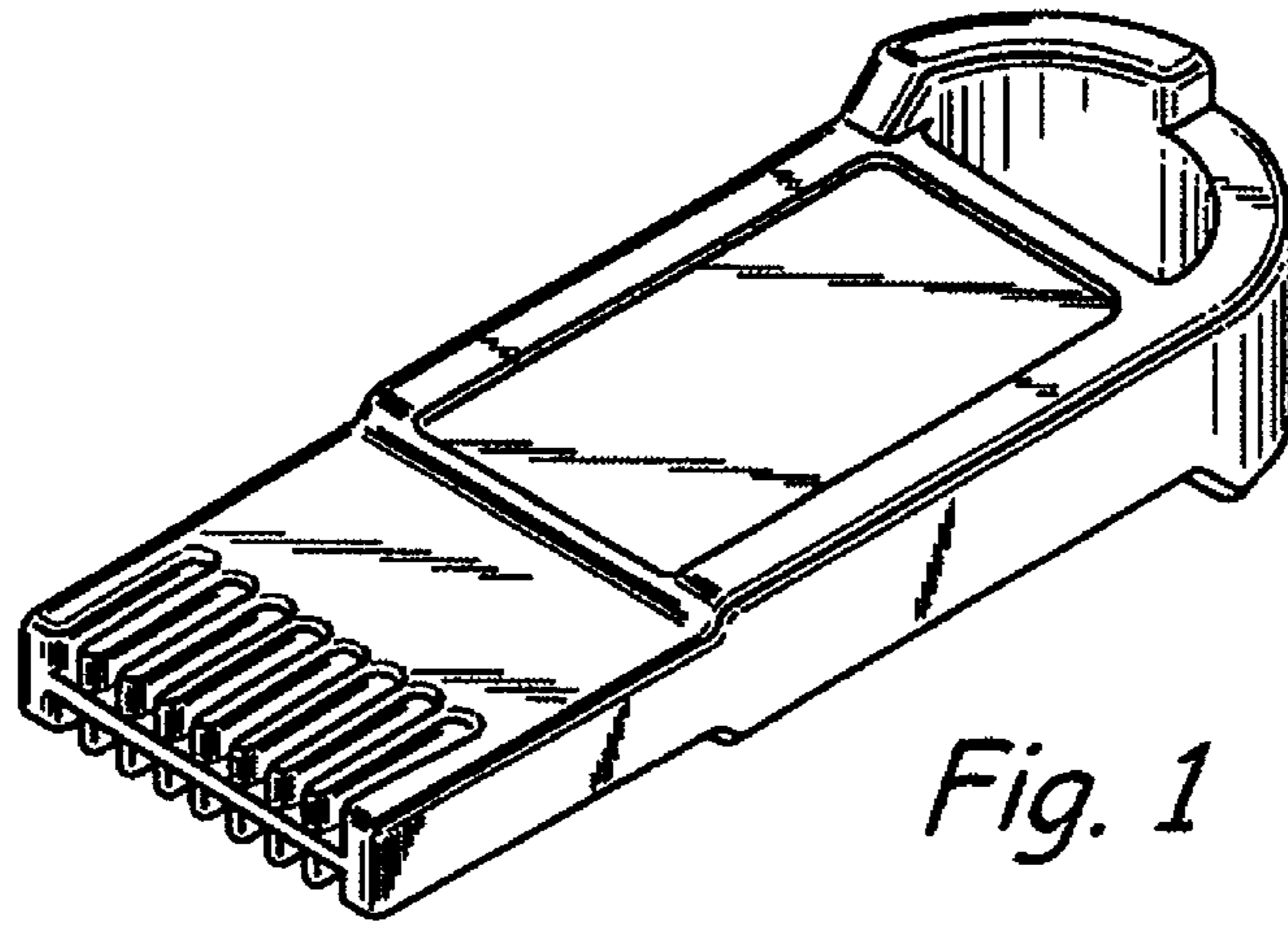
(56) **References Cited**

**U.S. PATENT DOCUMENTS**

D222,577 S \* 11/1971 Balzano ..... D8/347  
D223,431 S \* 4/1972 Muesel ..... D8/347  
3,688,269 A \* 8/1972 Miller ..... 235/382  
D227,340 S \* 6/1973 Phinzy ..... D8/348  
4,200,227 A \* 4/1980 Lemelson ..... 235/382  
D265,049 S 6/1982 Flies  
D274,126 S 6/1984 Flies

**1 Claim, 2 Drawing Sheets**





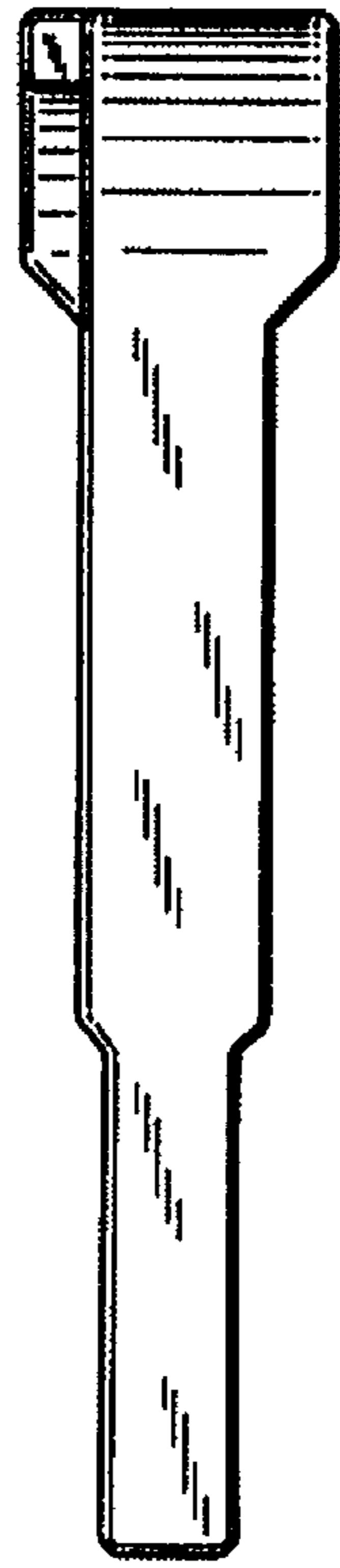
*Fig. 1*



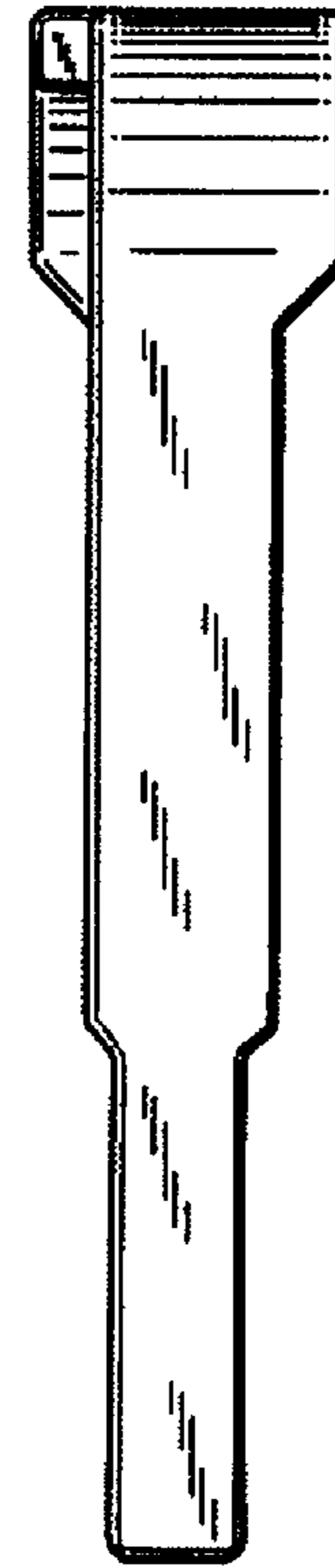
*Fig. 2*



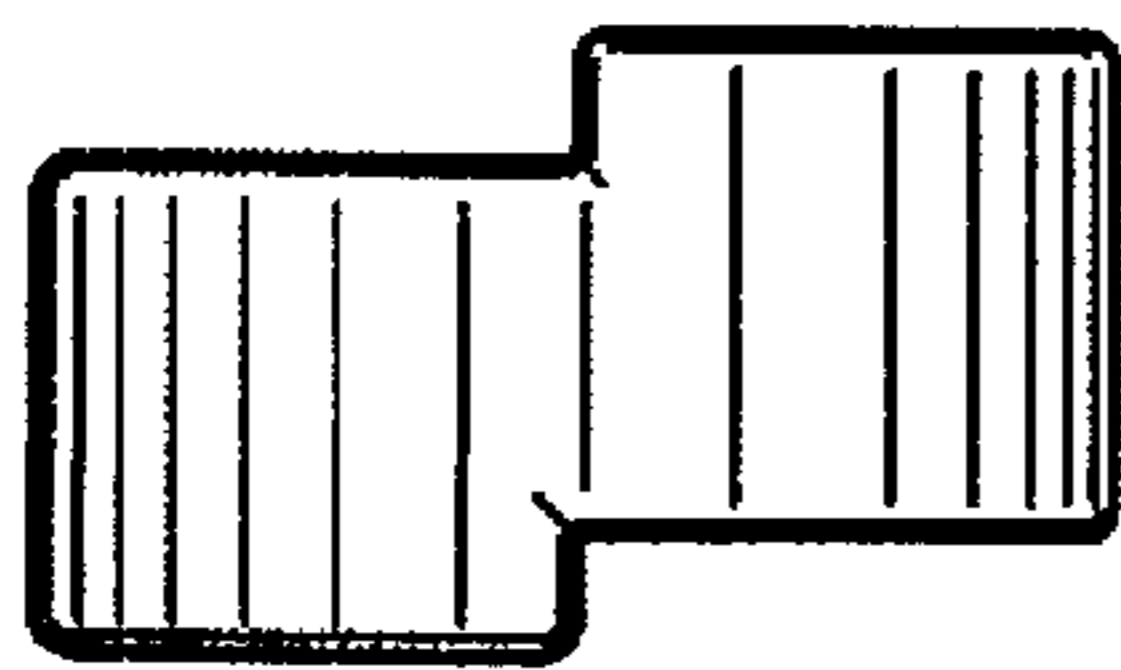
*Fig. 3*



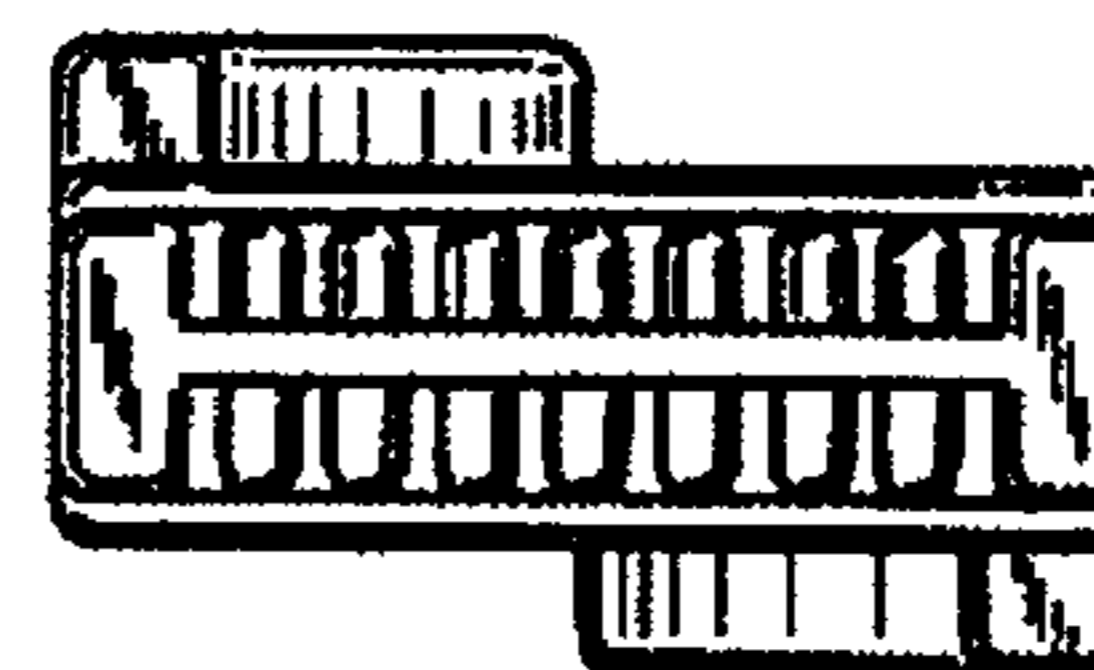
*Fig. 4*



*Fig. 5*



*Fig. 6*



*Fig. 7*