



US00D534409S

(12) **United States Design Patent**  
**Chen**

(10) **Patent No.:** **US D534,409 S**

(45) **Date of Patent:** **\*\* Jan. 2, 2007**

(54) **HAMMERHEAD**

(76) Inventor: **Yung-Shou Chen**, 2F-1, No. 51, Sec. 3,  
Chung Yang Rd., Chung Ho Tsuen,  
Long-Ching Town, Taichung Hsien  
(TW)

(\*\*) Term: **14 Years**

(21) Appl. No.: **29/235,468**

(22) Filed: **Aug. 2, 2005**

(51) **LOC (8) Cl.** ..... **08-02**

(52) **U.S. Cl.** ..... **D8/78**

(58) **Field of Classification Search** ..... D8/75,  
D8/76, 77, 78, 79, 80, 81; 81/20, 21, 22,  
81/23, 24

See application file for complete search history.

(56) **References Cited**

U.S. PATENT DOCUMENTS

3,320,985	A	*	5/1967	Maguire et al.	81/22
4,723,582	A	*	2/1988	Caspall	144/358
D365,739	S	*	1/1996	Weintraut	D8/78
D429,985	S	*	8/2000	Tovar	D8/78
D432,380	S	*	10/2000	Goble et al.	D8/78
D438,082	S	*	2/2001	Stegner et al.	D8/78

D460,337	S	*	7/2002	Shults et al.	D8/78
6,536,308	B1	*	3/2003	Thorne et al.	81/20
D474,667	S	*	5/2003	Hung	D8/75
D505,609	S	*	5/2005	Hung	D8/79

\* cited by examiner

*Primary Examiner*—Philip S. Hyder  
(74) *Attorney, Agent, or Firm*—Pai Patent & Trademark  
Law Firm; Chao-Chang David Pai

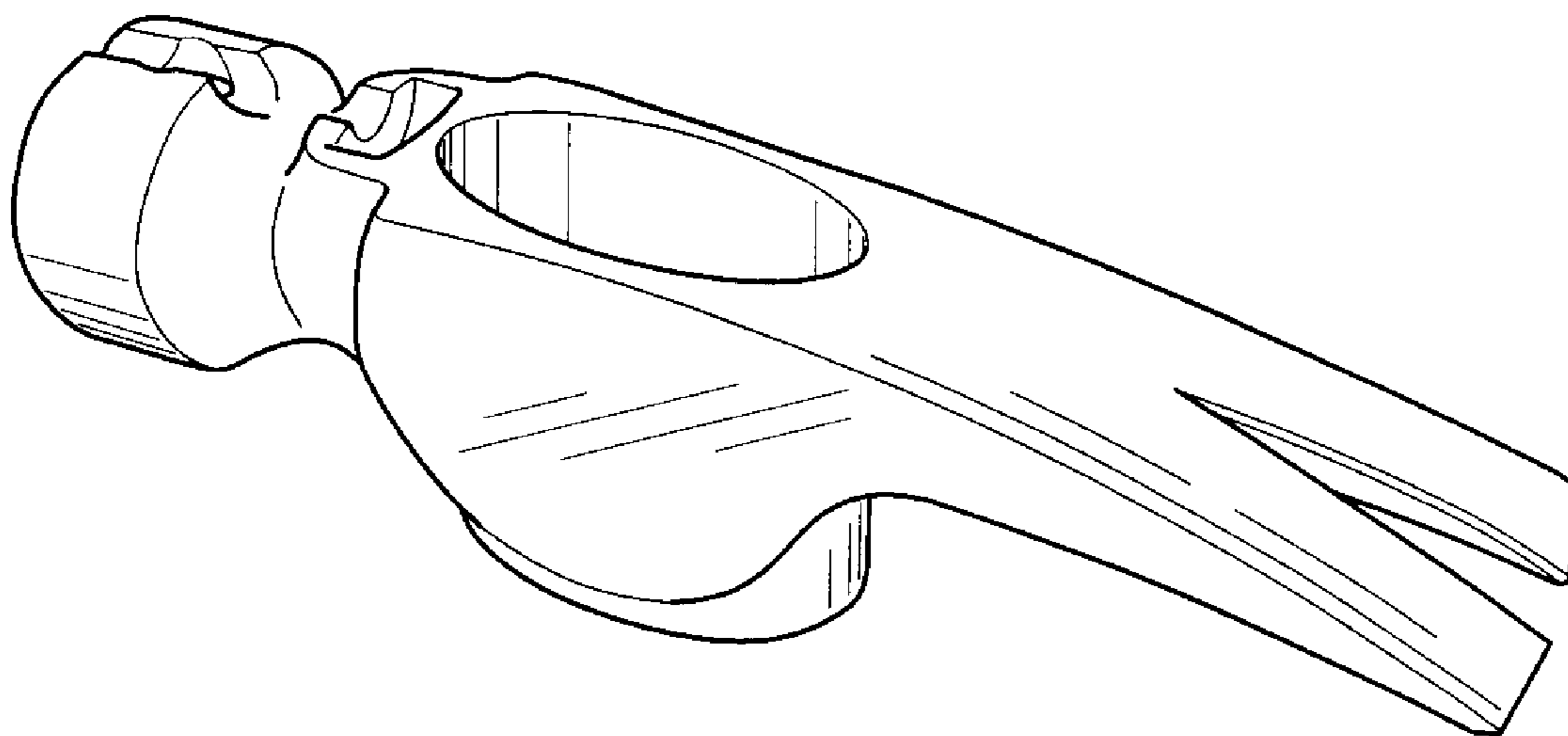
(57) **CLAIM**

The ornamental design for a hammerhead, as shown and described.

**DESCRIPTION**

FIG. 1 is a perspective view of a hammerhead, showing my new design;  
FIG. 2 is a top plan view thereof;  
FIG. 3 is a bottom plan view thereof;  
FIG. 4 is a left side elevational view thereof;  
FIG. 5 is a right side elevational view thereof;  
FIG. 6 is a front elevational view thereof, the rear elevational view being a mirror image of the front elevational view; and,  
FIG. 7 is a cross-sectional view thereof taken along line 7—7 of FIG. 2.

**1 Claim, 2 Drawing Sheets**



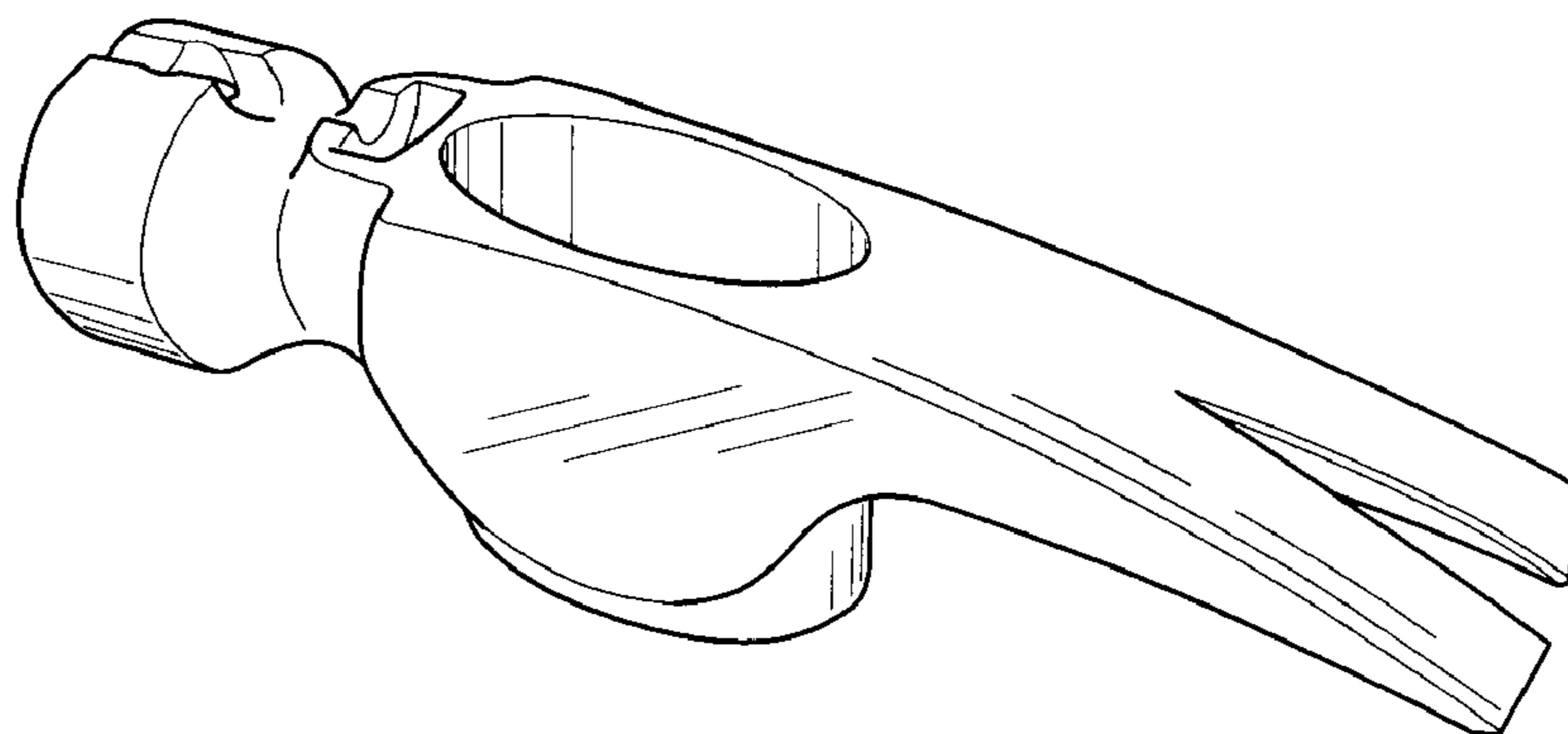


FIG. 1

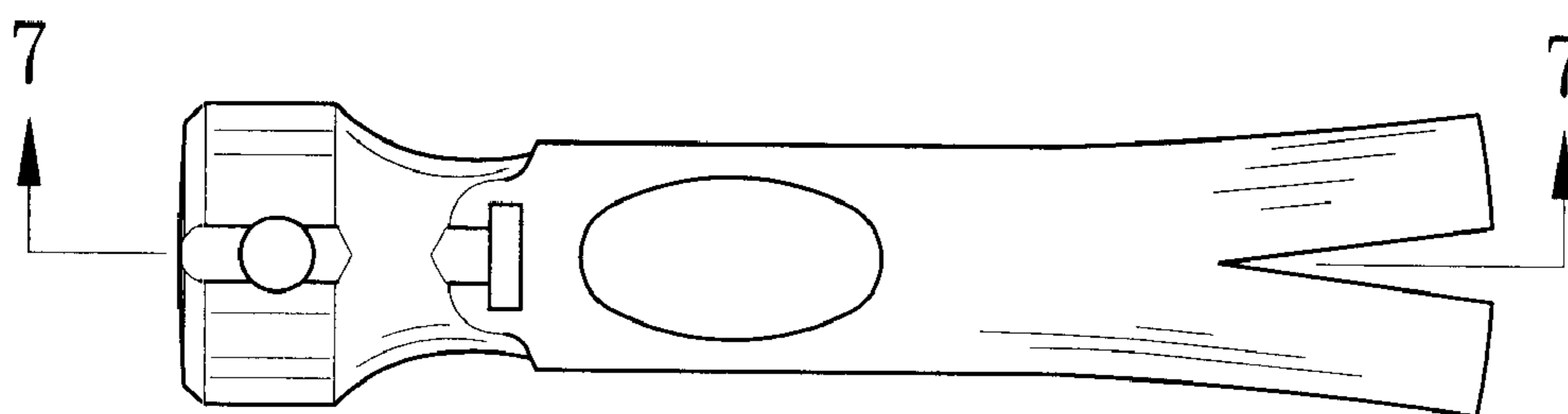


FIG. 2

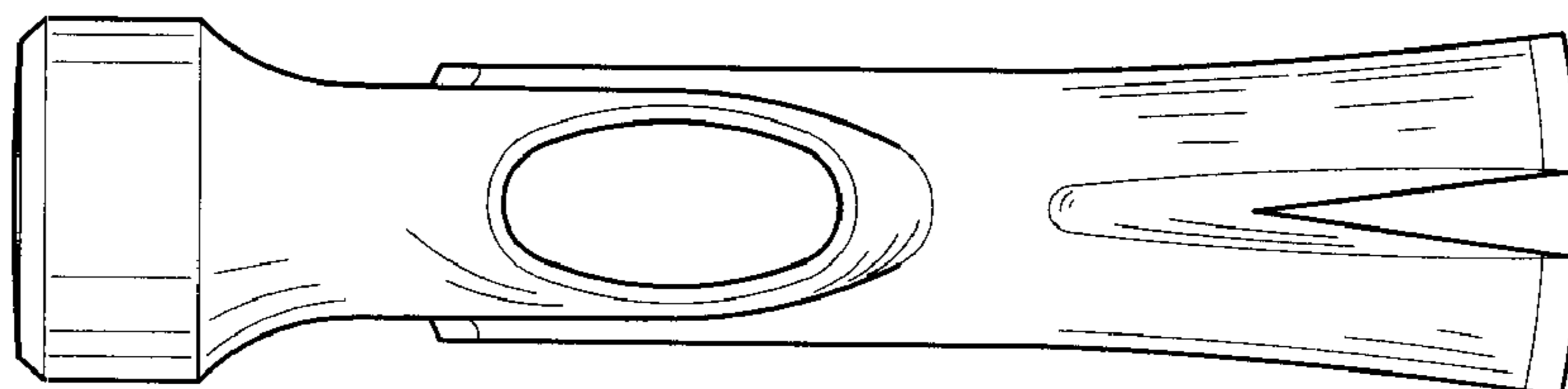


FIG. 3

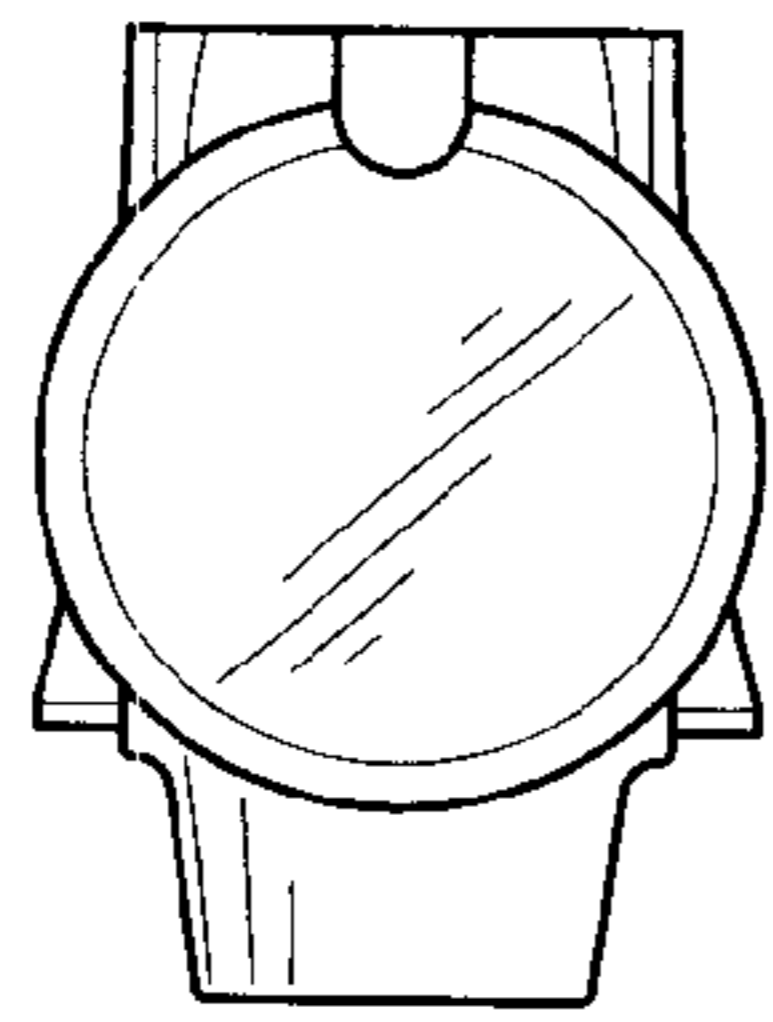


FIG. 4

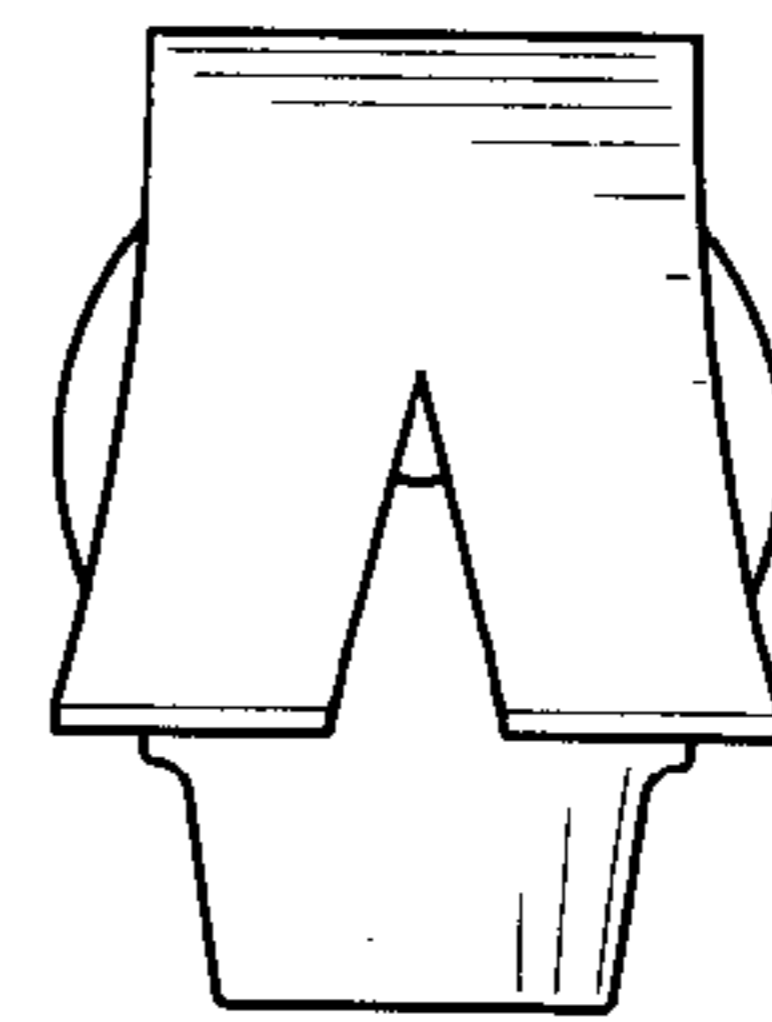


FIG. 5

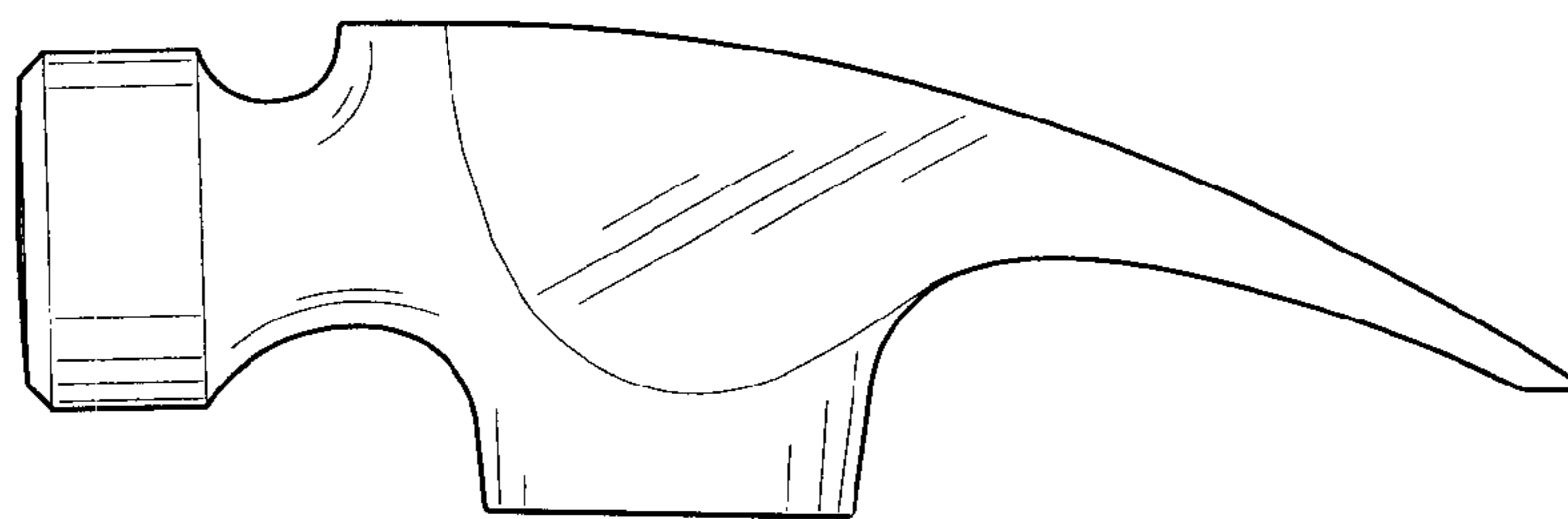


FIG. 6

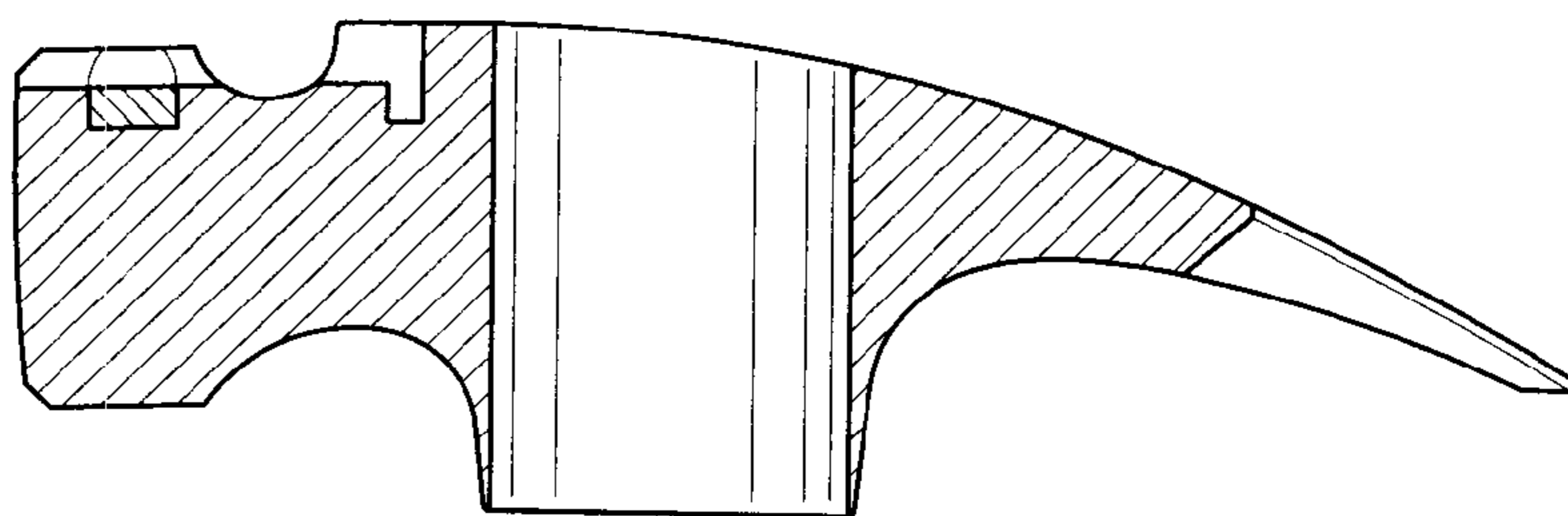


FIG. 7