



US00D534407S

(12) **United States Design Patent**
Waldron

(10) **Patent No.:** **US D534,407 S**
(45) **Date of Patent:** **** Jan. 2, 2007**

(54) **HAMMER DRILL NON-SPINDLE LOCK**

(75) Inventor: **Michael Waldron**, Chester le Street
(GB)

(73) Assignee: **GMCA Pty Ltd.** (AU)

(**) Term: **14 Years**

(21) Appl. No.: **29/222,556**

(22) Filed: **Jan. 31, 2005**

(30) **Foreign Application Priority Data**

Nov. 23, 2004 (EM) 000261102

(51) **LOC (8) Cl.** **08-01**

(52) **U.S. Cl.** **D8/69**

(58) **Field of Classification Search** D8/14.1,
D8/61, 62, 63, 64, 65, 66, 67, 68, 69, 70;
81/57.11, 429, 464, 465, 466, 469, 489; 173/13,
173/169, 178, 213, 217; 227/8, 114, 120,
227/130, 136, 142; 310/50; 408/20, 124,
408/125, 234, 241 R; 451/358

See application file for complete search history.

(56) **References Cited**

U.S. PATENT DOCUMENTS

4,820,090 A * 4/1989 Chen 408/241 R
D396,789 S * 8/1998 Murray D8/68
D413,244 S * 8/1999 Robson D8/69
D460,336 S * 7/2002 Pretzell D8/69
D470,379 S * 2/2003 Andriolo D8/68
6,543,549 B1 * 4/2003 Riedl et al. 310/50

D485,738 S * 1/2004 Pretzell D8/69
6,681,869 B1 * 1/2004 Wursch et al. 173/178
D503,079 S * 3/2005 Aglassinger D8/69
2001/0040036 A1 * 11/2001 Habedank et al. 173/217
2004/0211575 A1 * 10/2004 Soika et al. 173/217
2004/0226731 A1 * 11/2004 Faatz et al. 173/217

FOREIGN PATENT DOCUMENTS

GB 2092277 S * 1/2000

* cited by examiner

Primary Examiner—T. Chase Nelson

(74) *Attorney, Agent, or Firm*—McKee, Voorhees & Sease,
P.L.C.

(57) **CLAIM**

I claim the ornamental design for a hammer drill non-spindle lock, substantially as shown.

DESCRIPTION

FIG. 1 is a perspective view of the hammer drill non-spindle lock.

FIG. 2 is an opposite perspective view of the hammer drill non-spindle lock.

FIG. 3 is a side view of the hammer drill non-spindle lock.

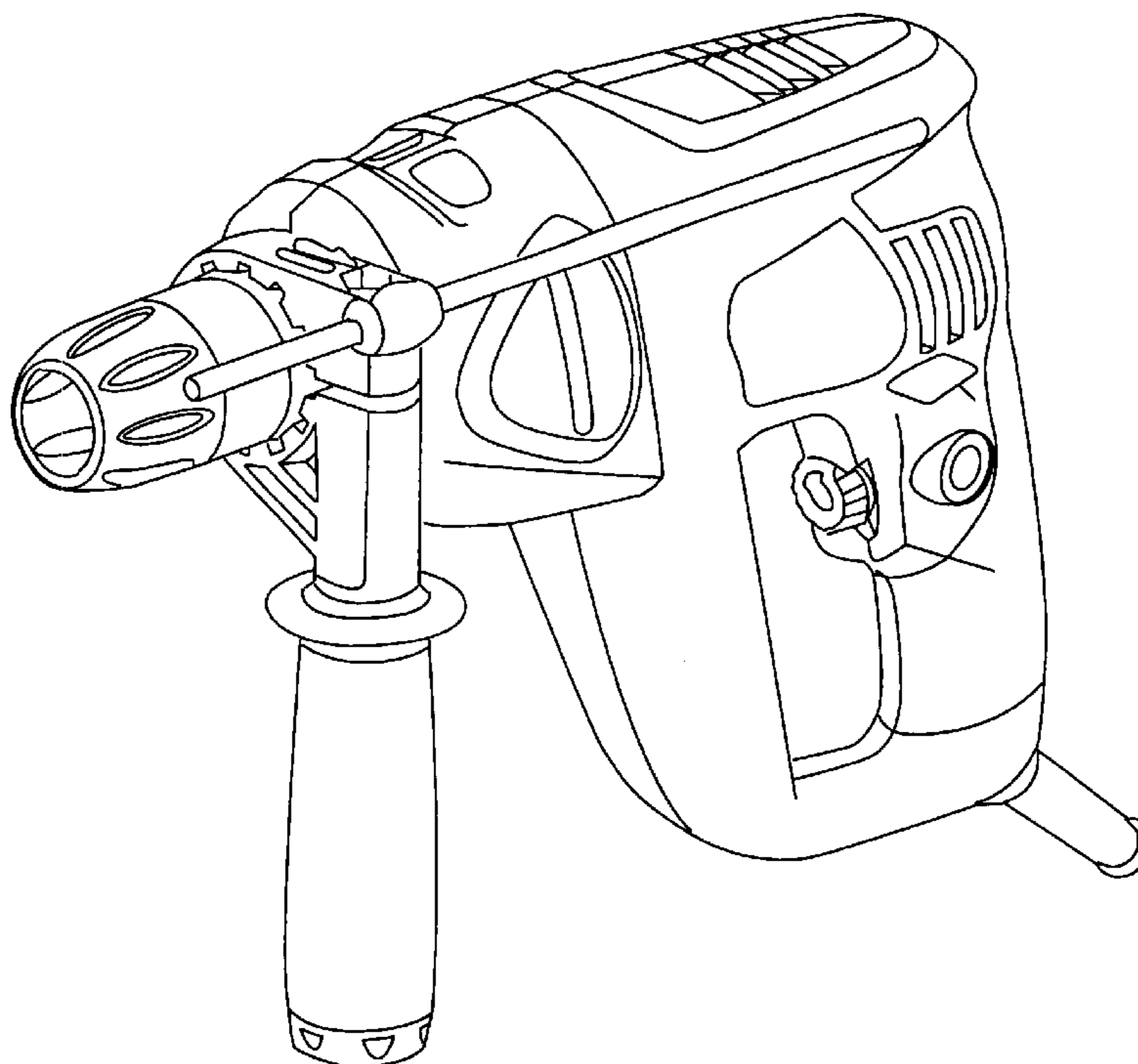
FIG. 4 is top view of the hammer drill non-spindle lock.

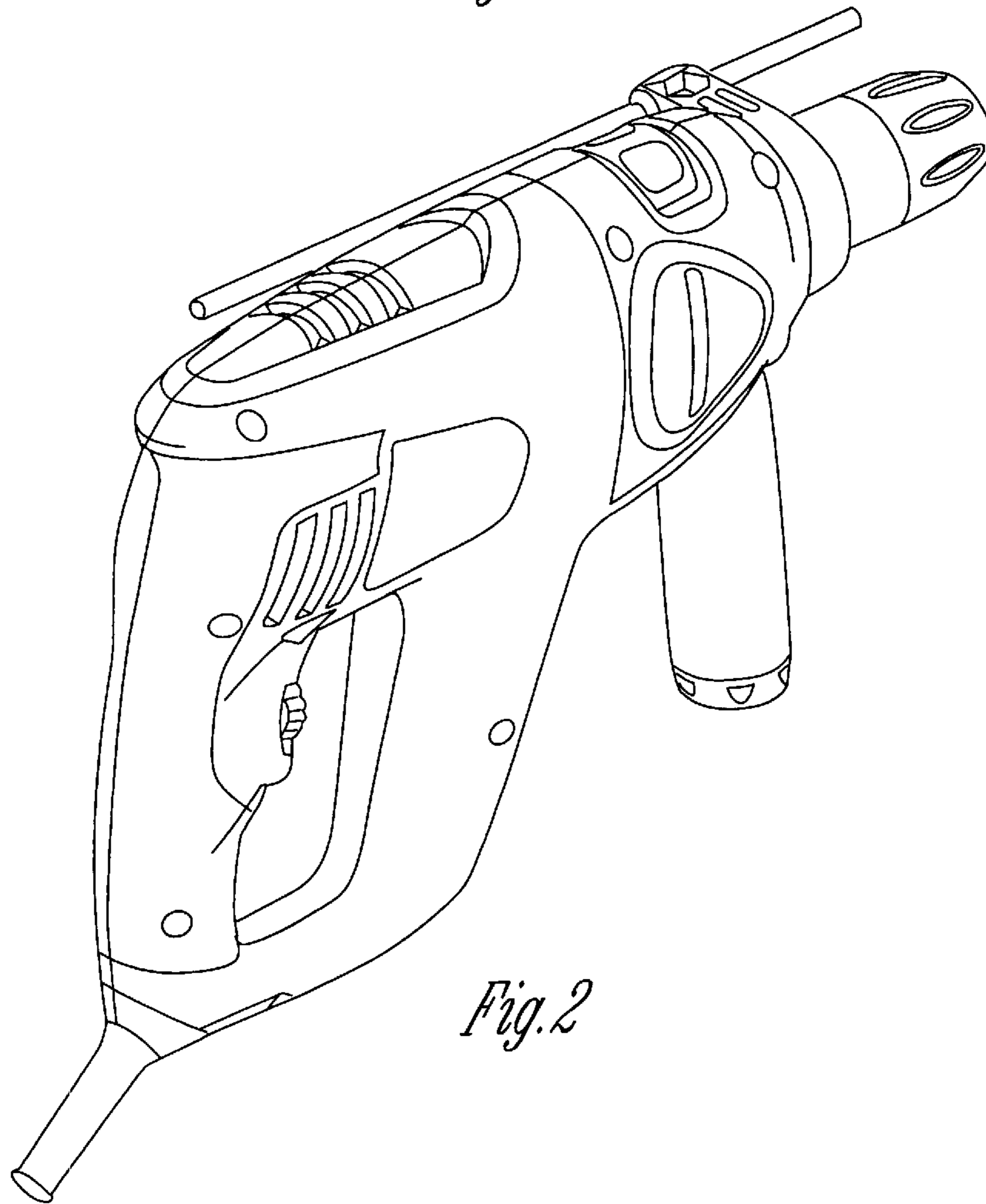
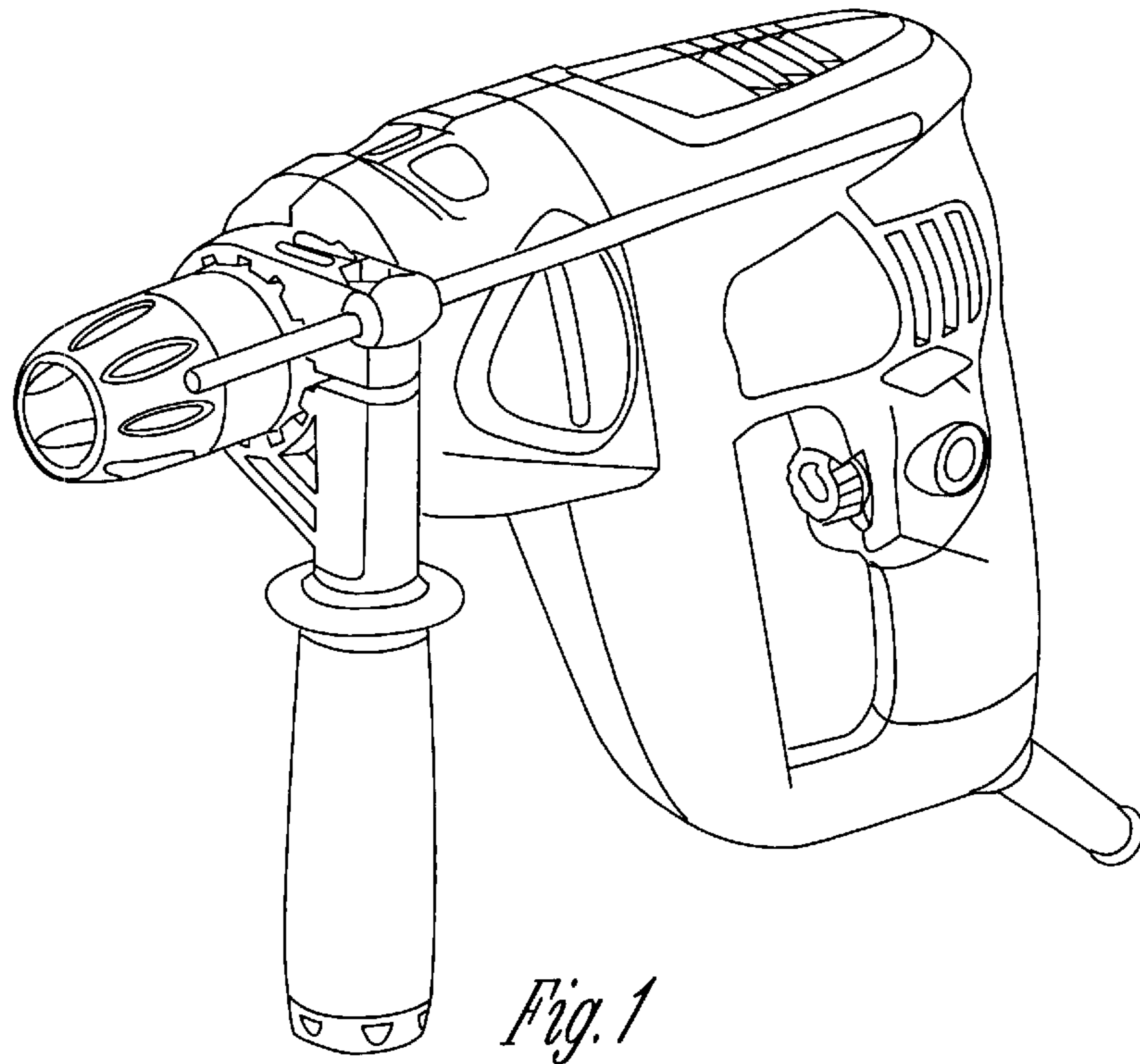
FIG. 5 is a bottom view of the hammer drill non-spindle lock.

FIG. 6 is a front view of the hammer drill non-spindle lock; and,

FIG. 7 is a rear view of the hammer drill non-spindle lock.

1 Claim, 3 Drawing Sheets





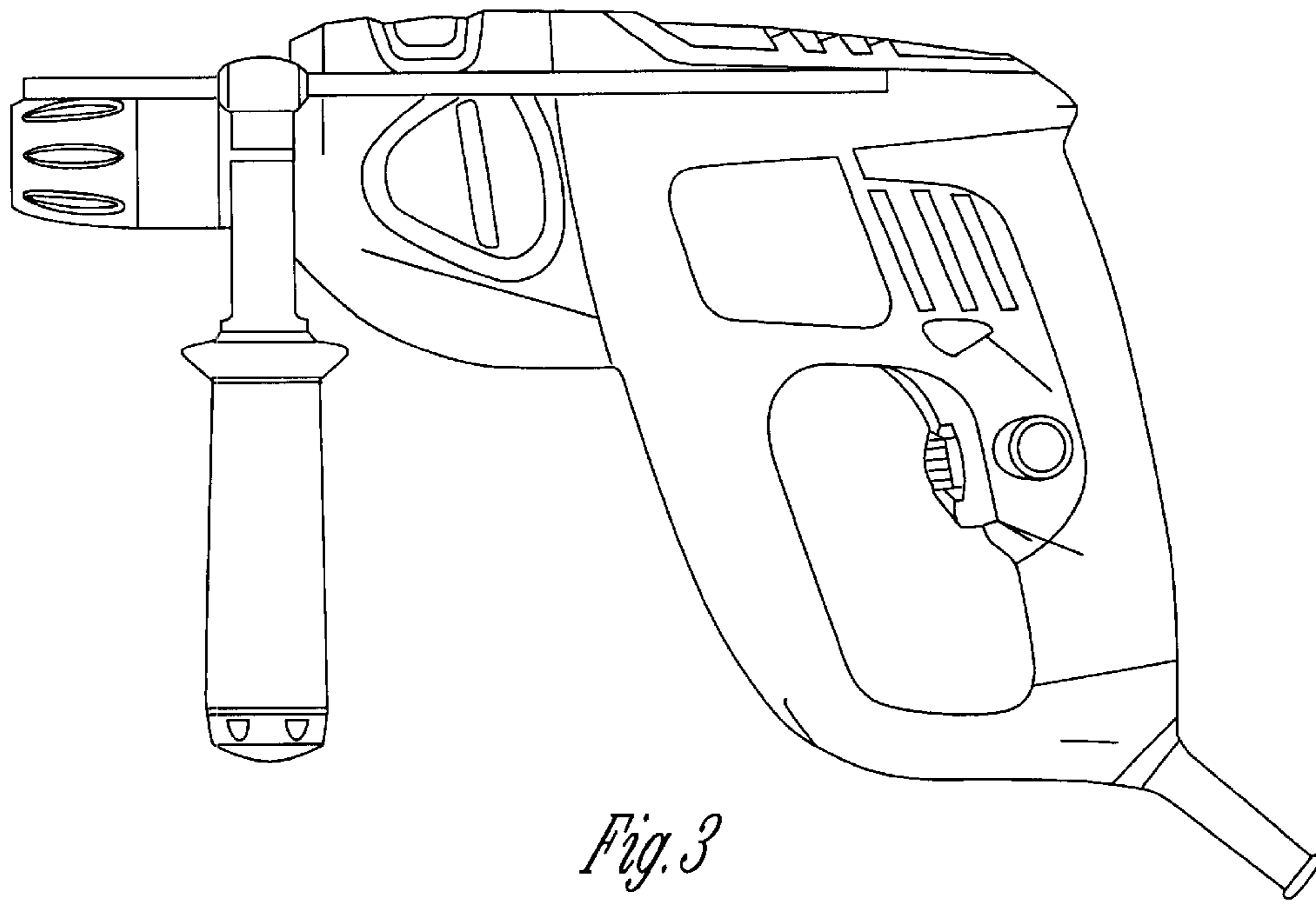


Fig. 3

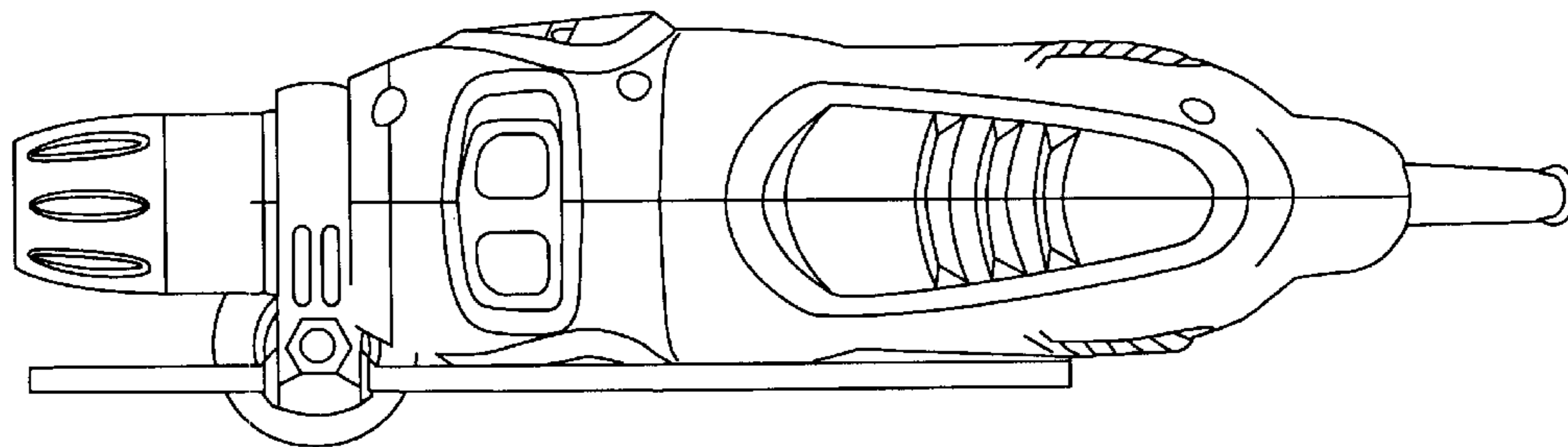


Fig. 4

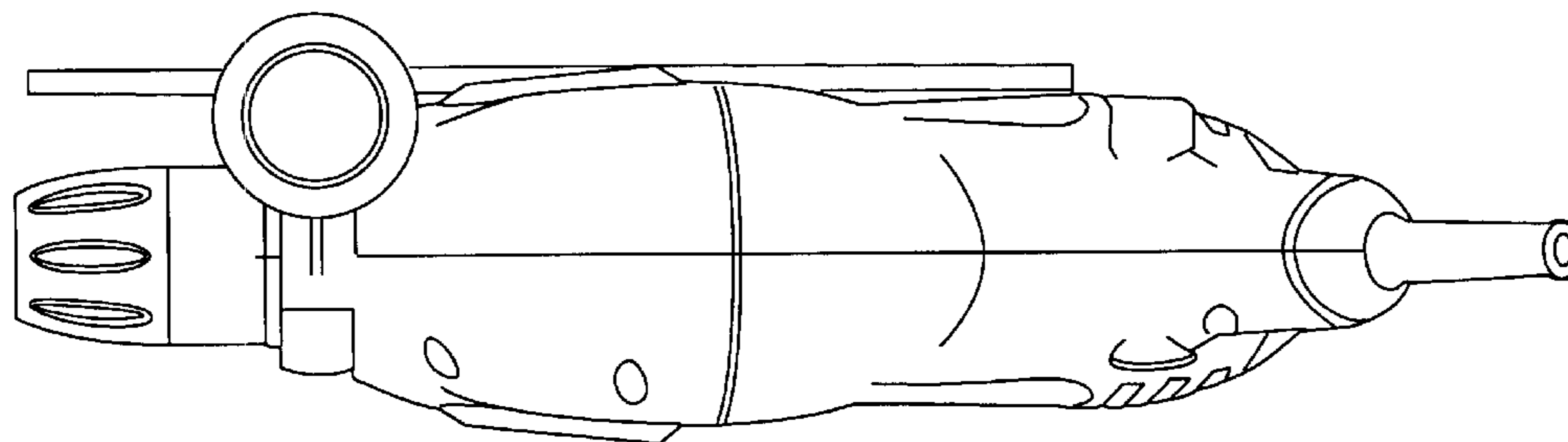


Fig. 5

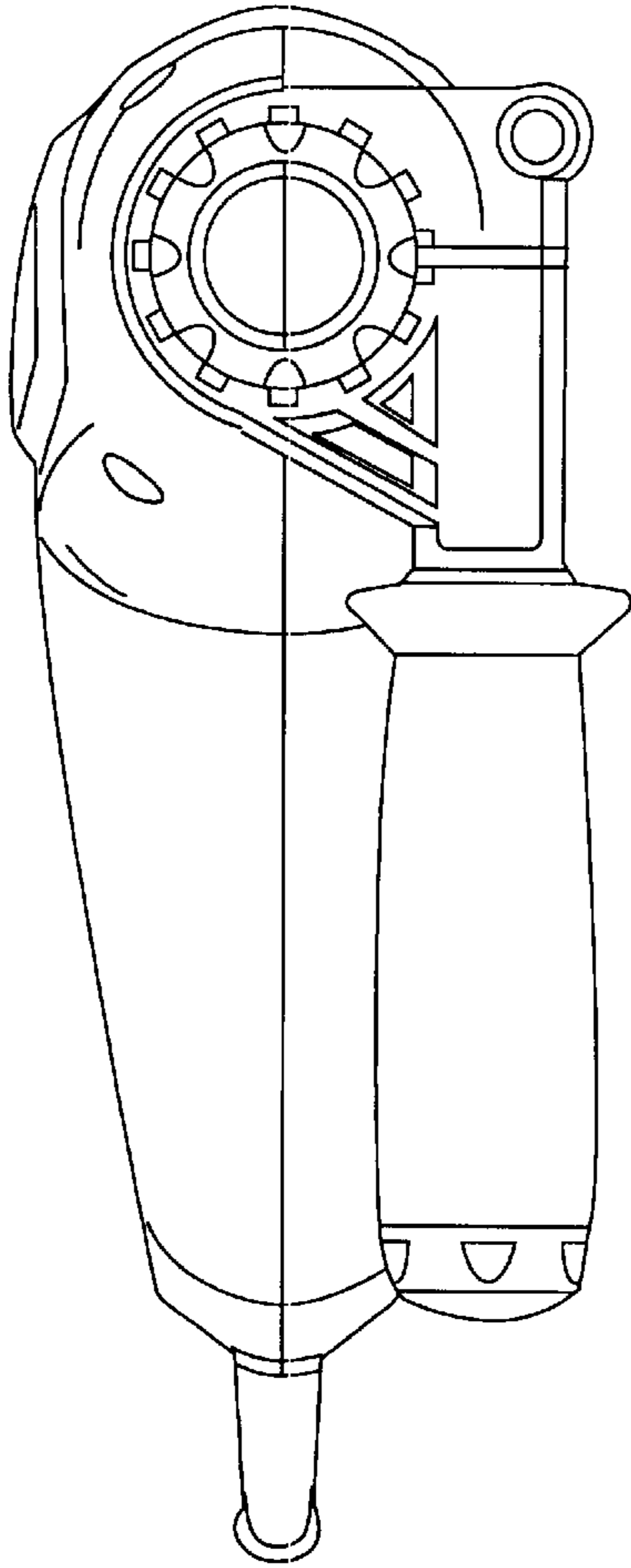


Fig. 6

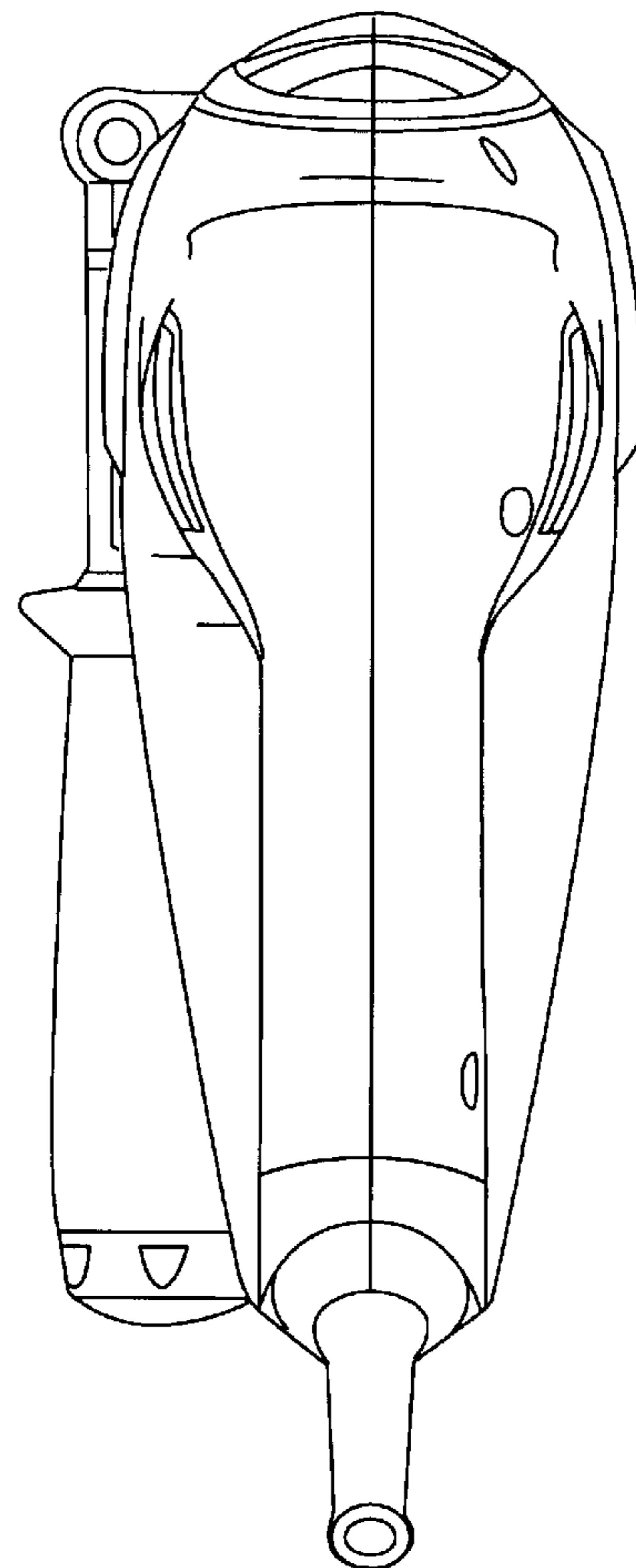


Fig. 7