



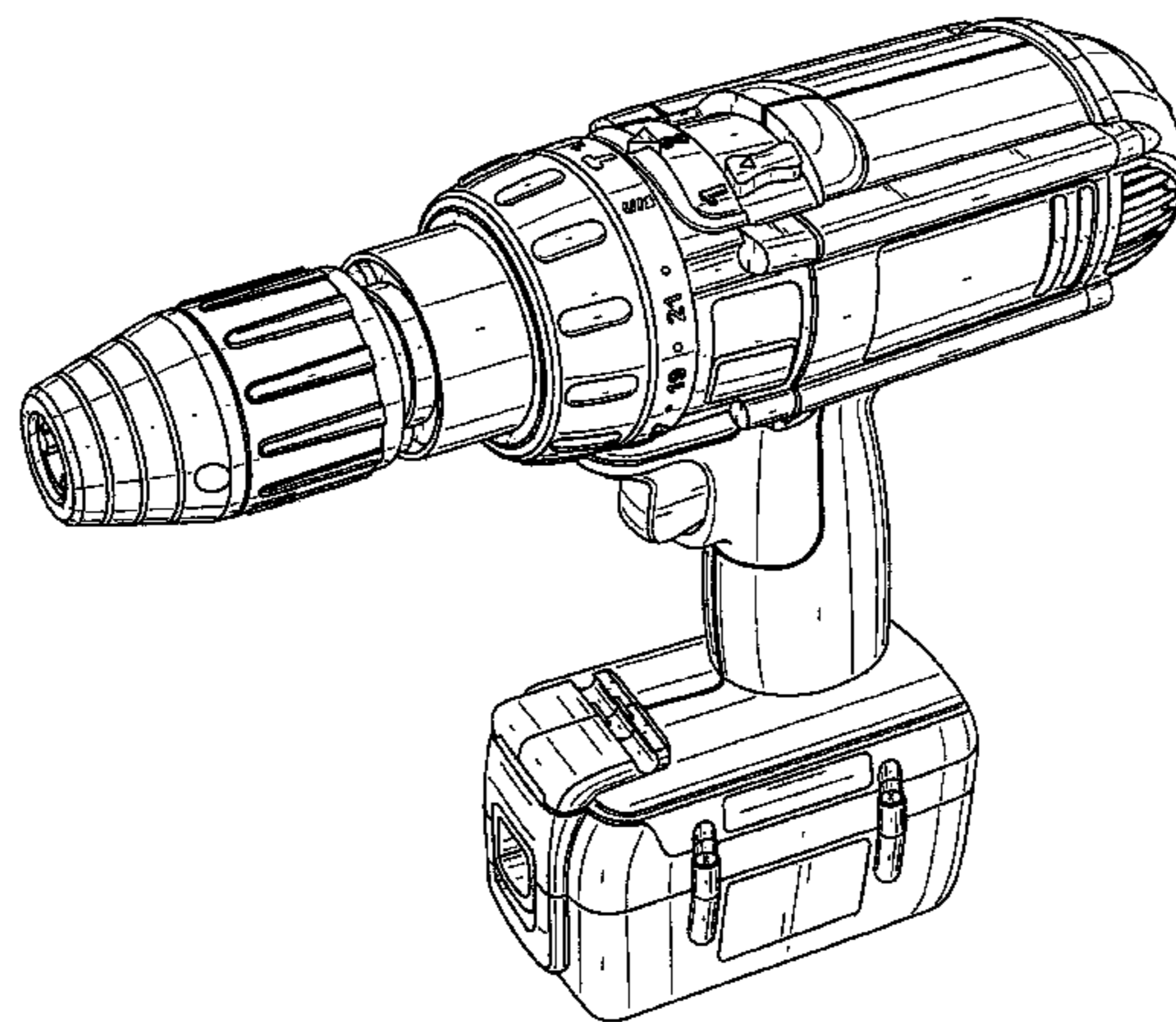
US00D534404S

(12) **United States Design Patent** (10) **Patent No.:** **US D534,404 S**  
**Concari** (45) **Date of Patent:** **\*\* Jan. 2, 2007**

(54) **CORDLESS DRILL** D402,871 S \* 12/1998 Clowers et al. .... D8/68  
D404,275 S 1/1999 Bunyea et al.  
(75) Inventor: **Gabriel E. Concari**, Eldersburg, MD D406,511 S 3/1999 Zurwelle  
(US) D406,741 S 3/1999 Zurwelle  
D418,730 S 1/2000 Main  
(73) Assignee: **Black & Decker Inc.**, Newark, DE D421,883 S 3/2000 Watson et al.  
(US) D428,320 S 7/2000 Ohi et al.  
D431,766 S 10/2000 Zurwelle  
(\*\*) Term: **14 Years** D435,414 S 12/2000 Etter et al.  
D436,511 S 1/2001 Hayakawa et al.  
(21) Appl. No.: **29/259,974** D437,759 S \* 2/2001 Breit et al. .... D8/68  
D447,036 S 8/2001 Netzler  
(22) Filed: **May 18, 2006** D447,399 S 9/2001 Netzler  
6,308,378 B1 \* 10/2001 Mooty et al. .... 81/489  
(51) **LOC (8) Cl.** ..... **08-01** 6,401,837 B1 6/2002 Pan  
(52) **U.S. Cl.** ..... **D8/68** D460,673 S 7/2002 Heun  
D460,907 S 7/2002 Geis  
(58) **Field of Classification Search** ..... D8/14.1, 6,431,289 B1 8/2002 Potter et al.  
D8/61, 62, 63, 64, 65, 66, 67, 68, 69, 70; D462,248 S 9/2002 Cooper  
81/57.11, 429, 464, 465, 466, 469, 489; 173/13, D462,592 S 9/2002 Cooper  
173/104, 114, 168, 169, 170, 171, 178, 201, D464,858 S 10/2002 Netzler  
173/211, 213, 217; 408/20, 124, 125, 234, D464,859 S 10/2002 Netzler  
408/241 R; 451/358; 310/50; 227/8, 113, D466,386 S 12/2002 Zurwelle  
227/114, 120, 130, 136, 142 D466,777 S \* 12/2002 Watson ..... D8/68  
See application file for complete search history. D466,780 S 12/2002 Stirm  
D467,147 S 12/2002 Watson  
D467,148 S \* 12/2002 Flickinger ..... D8/68  
6,502,648 B1 \* 1/2003 Milbourne ..... 173/178  
D470,028 S 2/2003 Cooper  
D472,781 S 4/2003 Netzler  
D474,445 S 5/2003 Matsuoka et al.  
D475,679 S 6/2003 Cooper et al.  
D475,909 S 6/2003 Waldron  
D477,811 S 7/2003 Niwa et al.  
D479,455 S 9/2003 Waldron  
D479,456 S 9/2003 Murray et al.  
D482,253 S 11/2003 Cooper et al.  
D483,012 S 12/2003 Hsu  
D487,686 S 3/2004 Milbourne  
D489,955 S 5/2004 Concari et al.  
D494,034 S 8/2004 Cheung  
D496,573 S 9/2004 Cooper  
6,805,207 B1 \* 10/2004 Hagan et al. .... 173/170  
D499,624 S 12/2004 Concari et al.  
D501,384 S 2/2005 Wright et al.  
D501,779 S 2/2005 Watson  
D504,298 S 4/2005 Bian  
D504,394 S 4/2005 Cheung et al.  
6,984,188 B1 \* 1/2006 Potter et al. .... 173/178

(56) **References Cited**  
**U.S. PATENT DOCUMENTS**

D280,379 S 9/1985 Somers  
D280,796 S 10/1985 Somers  
D289,004 S 3/1987 Somers  
D303,347 S 9/1989 Somers  
D304,287 S 10/1989 Zurwelle  
D304,822 S 11/1989 Fushiya et al.  
D314,698 S 2/1991 Zurwelle  
D316,021 S 4/1991 Bunyea  
D319,763 S 9/1991 Reiferscheid  
D333,960 S 3/1993 Somers  
D359,215 S \* 6/1995 Zurwelle ..... D8/68  
D368,214 S 3/1996 Zurwelle  
5,706,902 A 1/1998 Eisenhardt  
D396,395 S 7/1998 Zurwelle  
D396,621 S 8/1998 Zurwelle  
D396,789 S 8/1998 Murray  
D400,074 S 10/1998 Cooper  
D400,415 S 11/1998 Zurwelle  
D400,416 S 11/1998 Zurwelle



---

7,066,691	B1	*	6/2006	Doyle et al.	408/124
2002/0096341	A1	*	7/2002	Hagan et al.	173/170
2002/0096342	A1	*	7/2002	Milbourne	173/178
2002/0096343	A1	*	7/2002	Potter et al.	173/178
2003/0002934	A1	*	1/2003	Hsu	408/124
2003/0143042	A1	*	7/2003	Doyle et al.	408/124
2004/0211576	A1		10/2004	Milbourne et al.	
2005/0028997	A1	*	2/2005	Hagan et al.	173/178
2005/0061524	A1	*	3/2005	Hagan et al.	173/170
2006/0096771	A1	*	5/2006	Brotto	173/217

FOREIGN PATENT DOCUMENTS

GB	2041264	S	*	8/1993
GB	3001388	S	*	2/2002
GB	3001389	S	*	2/2002

\* cited by examiner

*Primary Examiner*—T. Chase Nelson  
(74) *Attorney, Agent, or Firm*—Michael P. Leary; Charles

E. Yocum; Adan Ayala

(57) **CLAIM**

The ornamental design for a cordless drill, as shown and described.

**DESCRIPTION**

FIG. 1 is a left/front perspective view of a cordless drill  
FIG. 2 is a front elevational view thereof;  
FIG. 3 is a rear elevational view thereof;  
FIG. 4 is a right side elevational view thereof;  
FIG. 5 is a left side elevational view thereof;  
FIG. 6 is a top plan view thereof; and,  
FIG. 7 is a bottom plan view thereof.

**1 Claim, 5 Drawing Sheets**

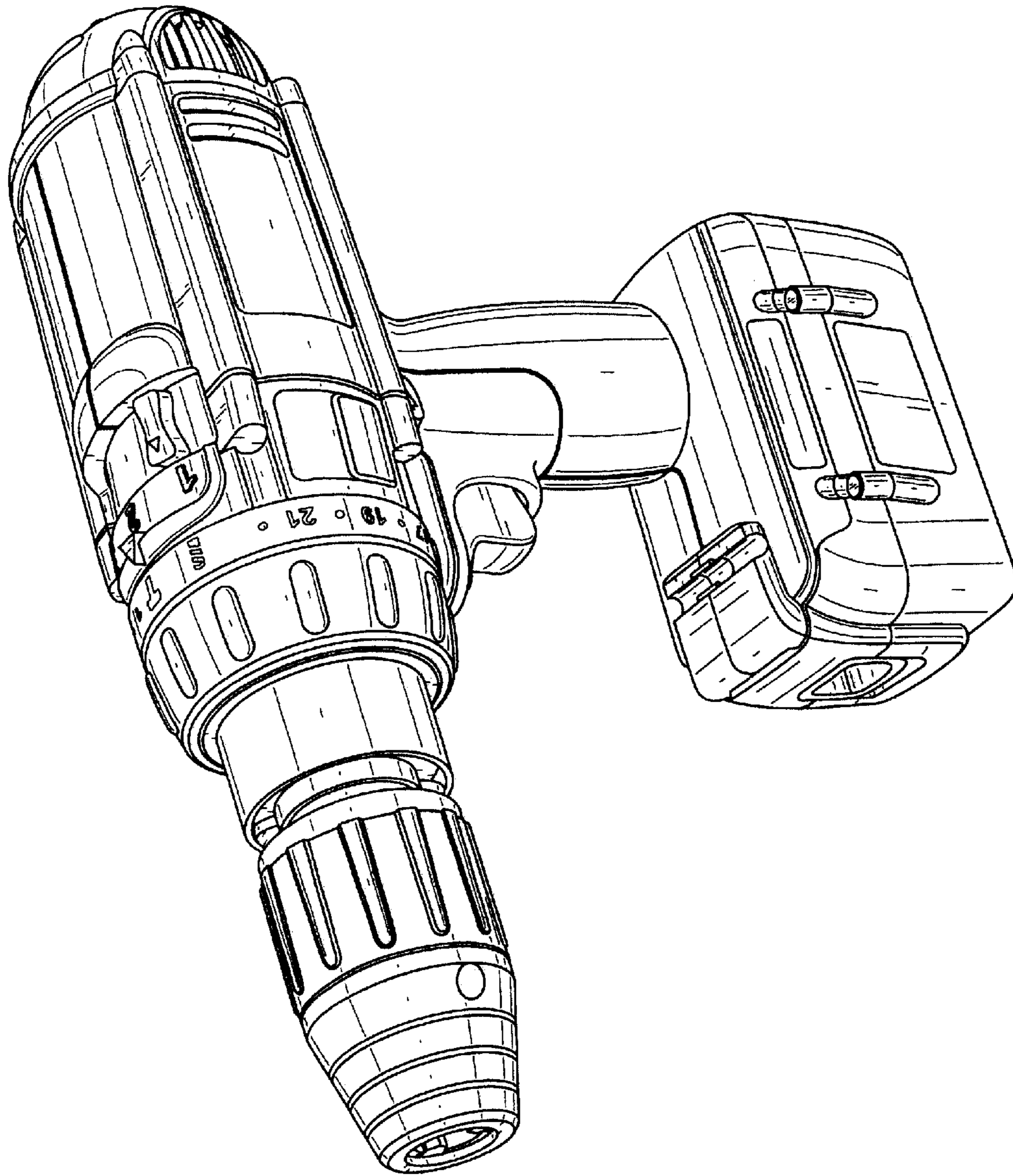


FIG. 1



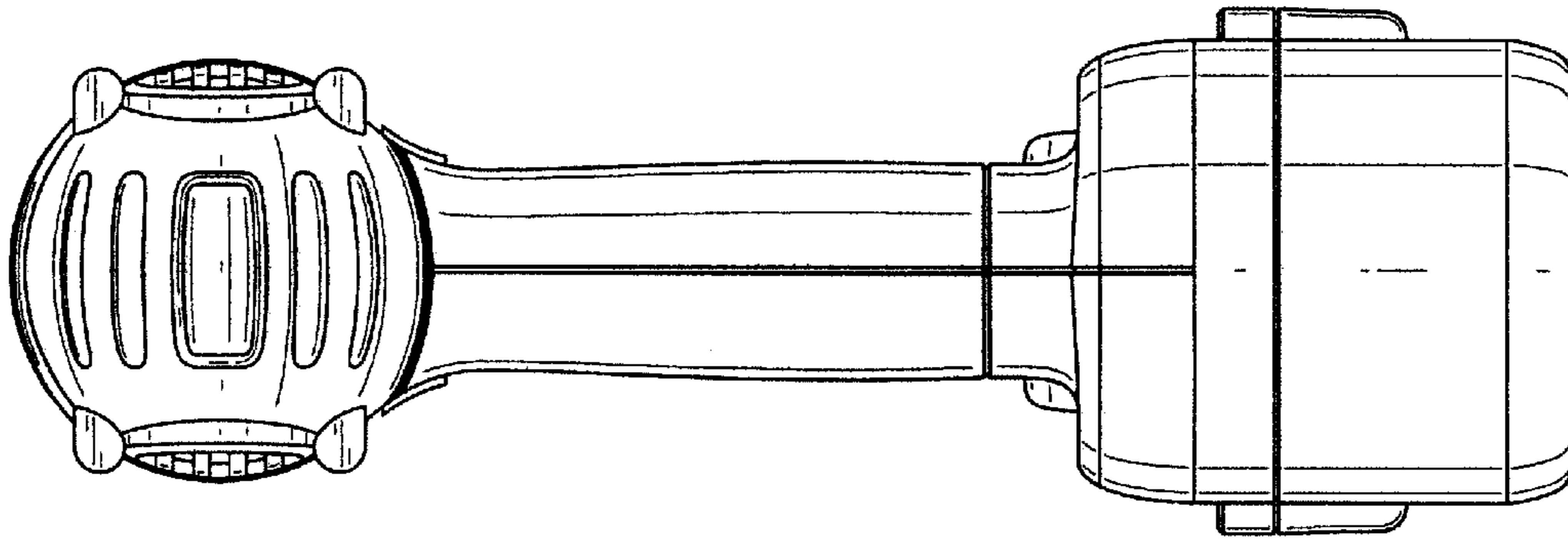


FIG. 3

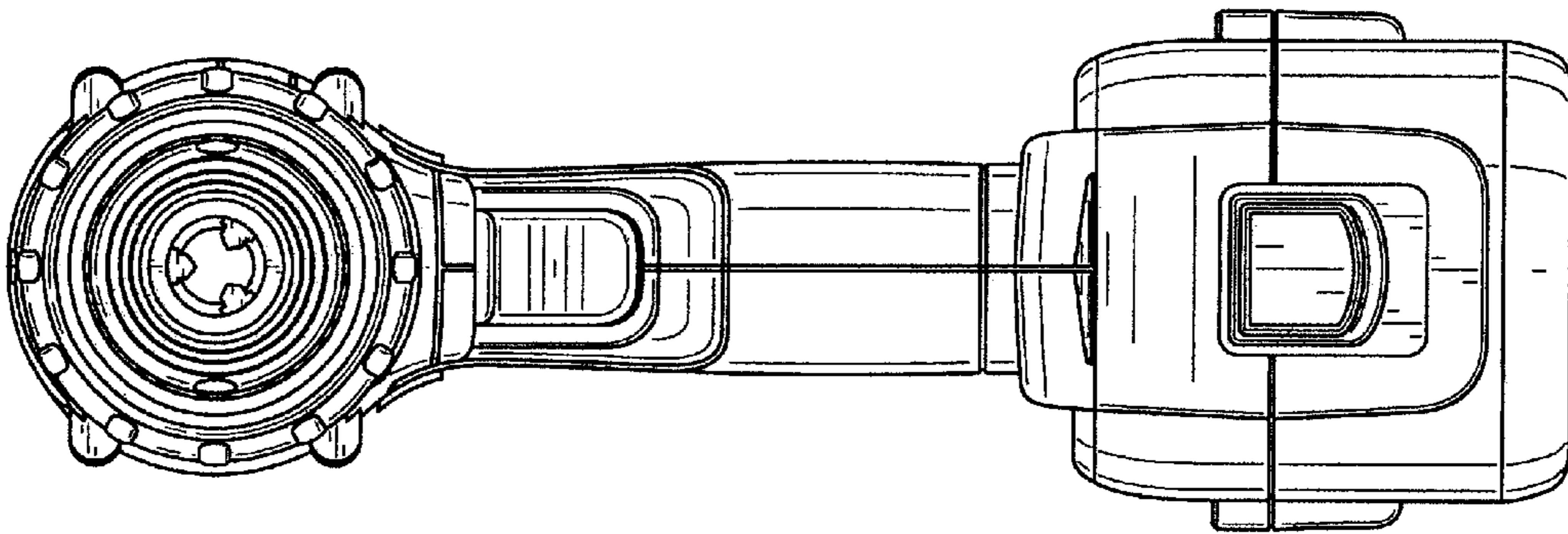


FIG. 2

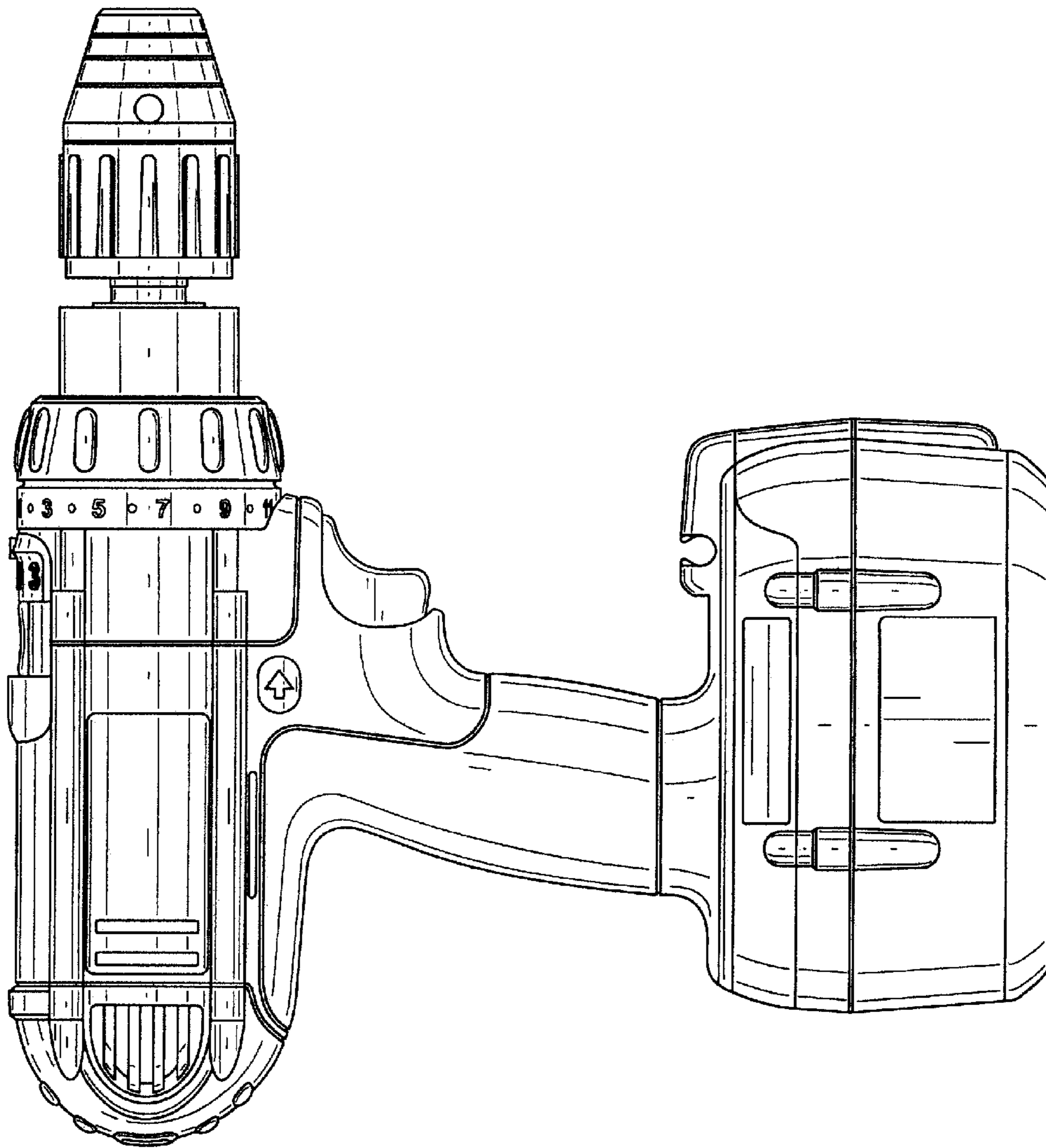


FIG. 4

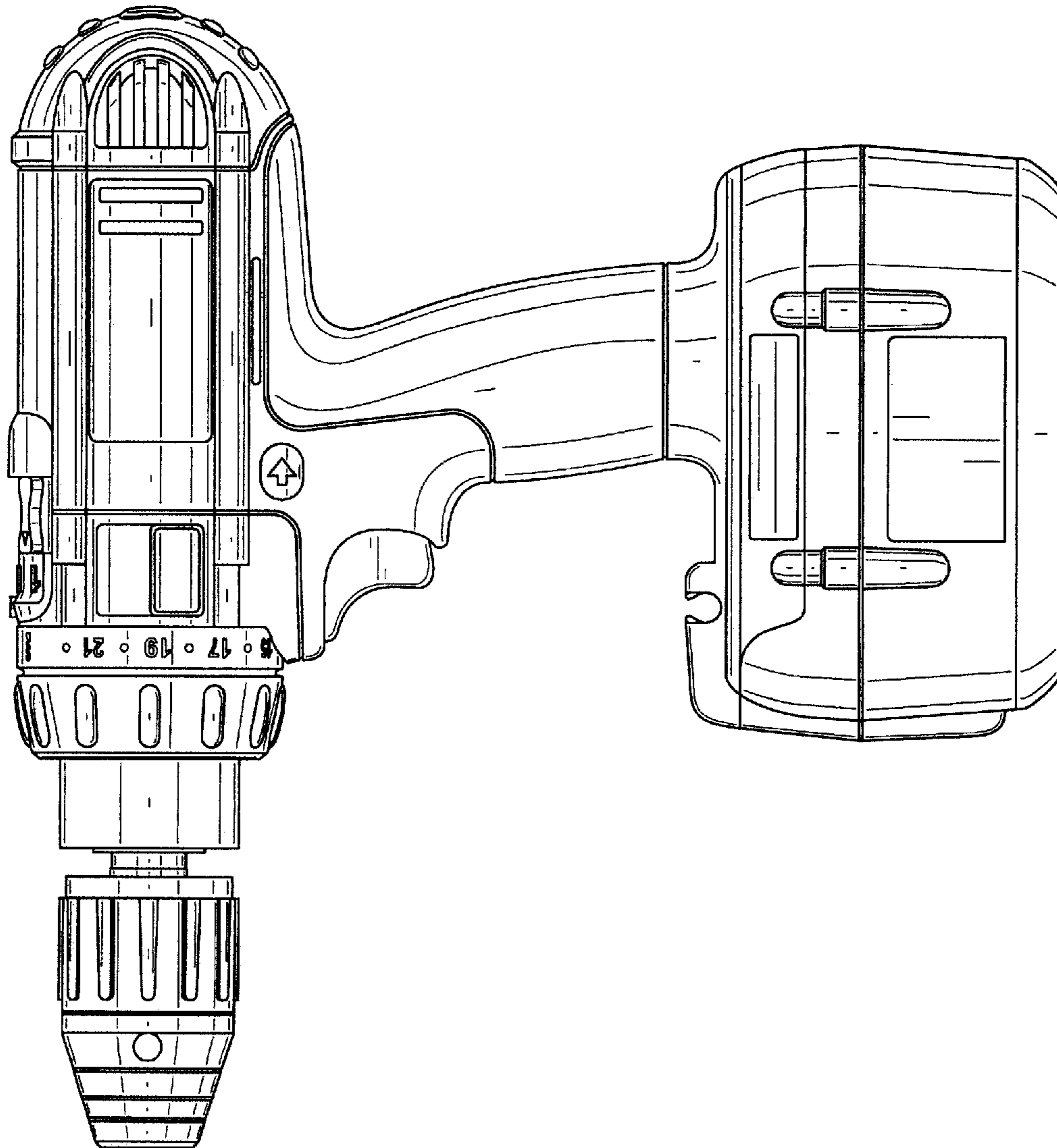


FIG. 5

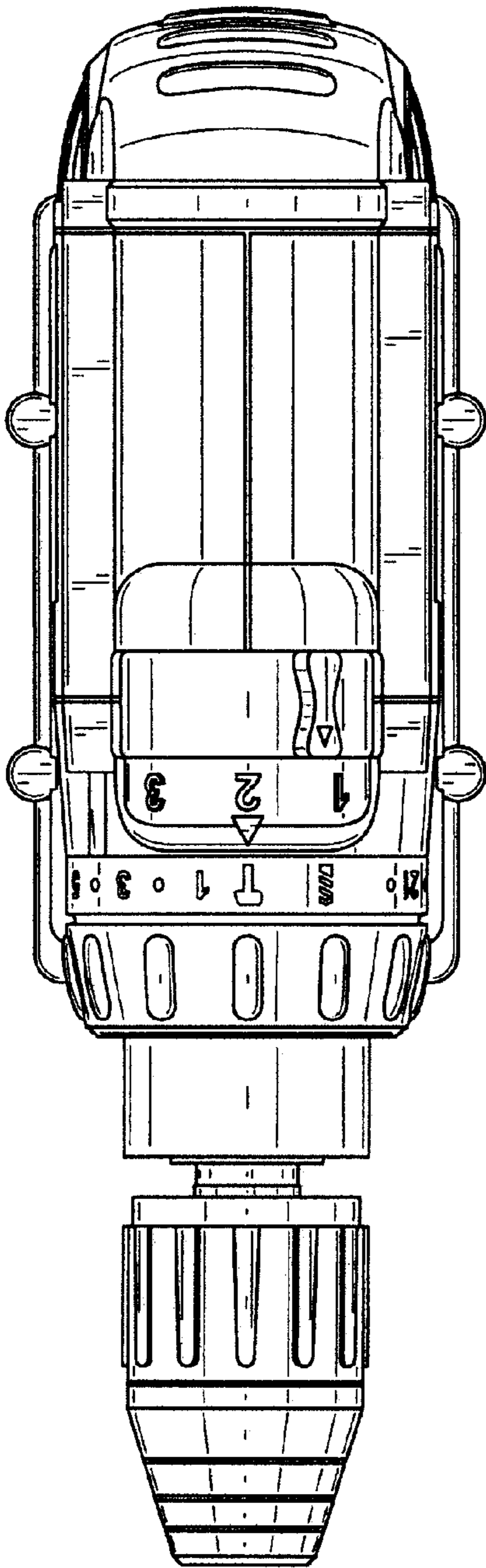


FIG. 6

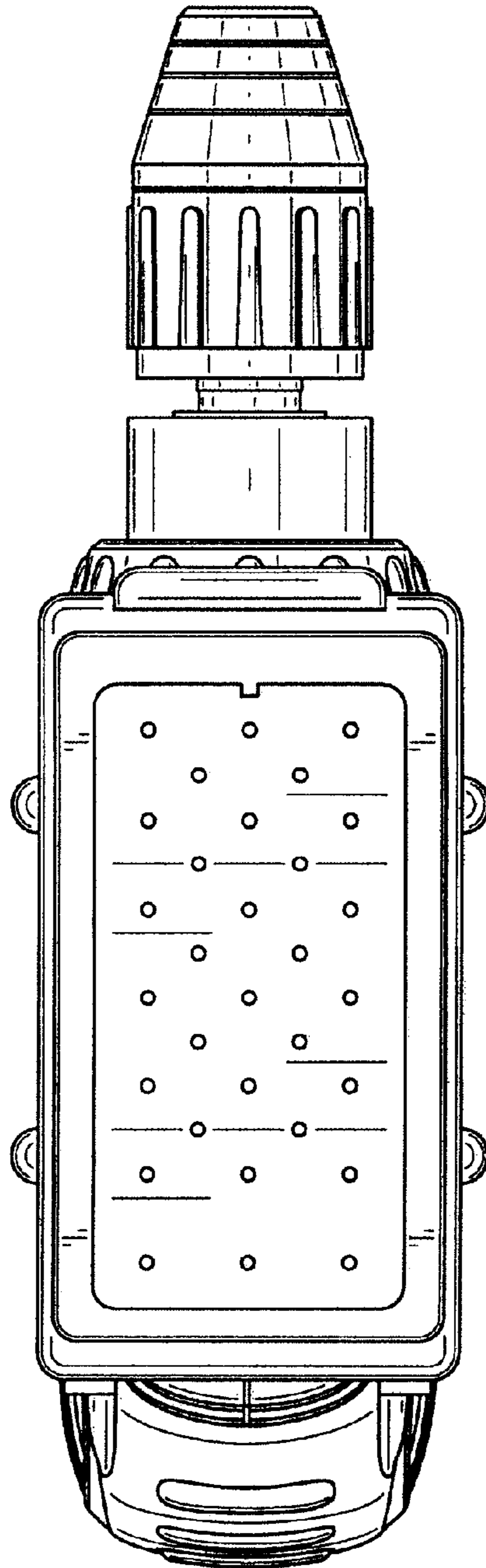


FIG. 7