



US00D534403S

(12) **United States Design Patent**
Concari

(10) **Patent No.:** **US D534,403 S**
(45) **Date of Patent:** **** Jan. 2, 2007**

(54) **DRILL**

(75) Inventor: **Gabriel E. Concari**, Eldersburg, MD
(US)

(73) Assignee: **Black & Decker Inc.**, Newark, DE
(US)

(**) Term: **14 Years**

(21) Appl. No.: **29/211,122**

(22) Filed: **Aug. 11, 2004**

Related U.S. Application Data

(63) Continuation-in-part of application No. 29/204,243, filed on Apr. 27, 2004, now Pat. No. Des. 500,653, which is a continuation of application No. 29/197,251, filed on Jan. 13, 2004, now Pat. No. Des. 497,786.

(51) **LOC (8) Cl.** **08-01**

(52) **U.S. Cl.** **D8/68**

(58) **Field of Classification Search** D8/14.1,
D8/61, 62, 63, 64, 65, 66, 67, 68, 69, 70;
81/57.11, 429, 464, 465, 466, 469, 489; 173/13,
173/169, 178, 213, 217; 227/8, 114, 120,
227/130, 136, 142; 310/50; 408/20, 124,
408/125, 234, 241 R; 451/358

See application file for complete search history.

(56) **References Cited**

U.S. PATENT DOCUMENTS

835,936	A	*	11/1906	Carnahan et al.	173/169
839,727	A	*	12/1906	Carnahan	81/489
D57,576	S		4/1921	Black et al.	
1,581,927	A	*	4/1926	Kollock	310/50
2,158,228	A		5/1939	Forss	
D156,319	S		12/1949	Bushnell	
D159,044	S		6/1950	Bushnell	
D167,826	S		9/1952	Doeden	
3,077,547	A		2/1963	Metko	
D195,145	S	*	4/1963	Ernest et al.	D8/67
3,357,275	A		12/1967	Green, Jr. et al.	

(Continued)

FOREIGN PATENT DOCUMENTS

DE	M 89 08 812	4/1991
DE	M 91 07 310	4/1991
DE	M 91 04 263	1/1992
DE	M 92 02 349	10/1992
DE	M 92 07 189	2/1993
DE	M 94 02 042	9/1993
DE	M 94 09 106	11/1994
DE	M 95 07 044	7/1996
DE	M 96 03 012	9/1996
DE	M 96 04 464	10/1996
DE	M 96 02 972	12/1996
DE	M 97 03 272	9/1997
DE	498 07 545	1/1998
DE	M 98 04 390	1/1999

(Continued)

OTHER PUBLICATIONS

Craftsman drills, p. 43, Sears Craftsman and Hand Tools 1968 catalogue.*

DeWalt 2000 Catalog pages showing DW130 Heavy Duty 1/2" Drill.

Primary Examiner—T. Chase Nelson

(74) *Attorney, Agent, or Firm*—Michael P. Leary; Charles E. Yocum; Adan Ayala

(57) **CLAIM**

The ornamental design for a drill, as shown and described.

DESCRIPTION

FIG. 1 is a front perspective view of a drill showing my new design.

FIG. 2 is a front elevational view of the drill of FIG. 1.

FIG. 3 is a rear elevational view of the drill of FIG. 1.

FIG. 4 is a right side elevational view of the drill of FIG. 1.

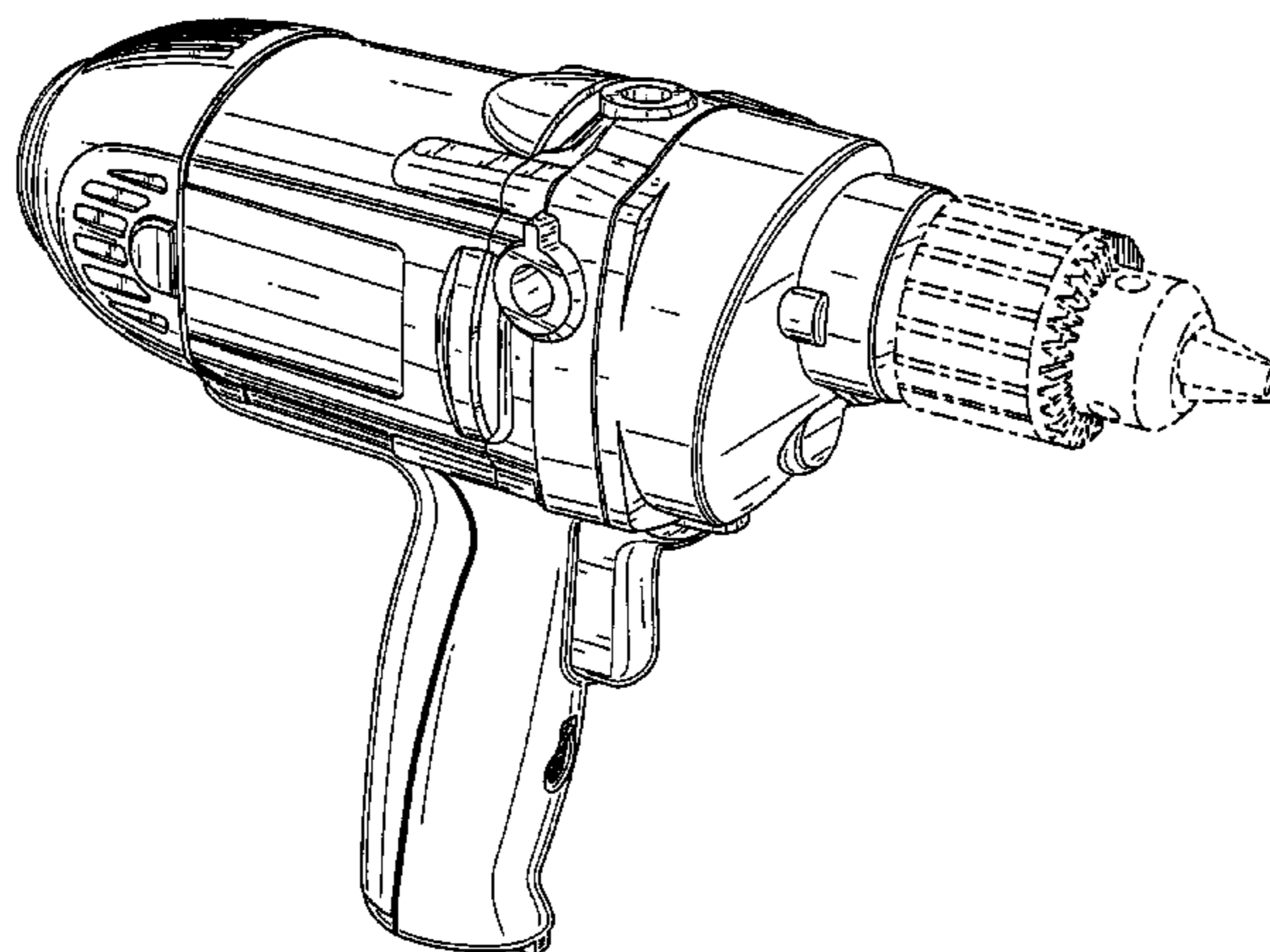
FIG. 5 is a left side elevational view of the drill of FIG. 1.

FIG. 6 is a top plan view of the drill of FIG. 1; and,

FIG. 7 is a bottom plan view of the drill of FIG. 1.

The broken lines and the areas within the broken lines are for illustrative purposes only and form no part of the claimed design.

1 Claim, 7 Drawing Sheets



US D534,403 S

U.S. PATENT DOCUMENTS

D221,206 S	7/1971	Yran	
D222,029 S	9/1971	McElroy	
3,652,879 A	3/1972	Plunkett et al.	
D225,300 S	12/1972	Boldt	
3,908,139 A	9/1975	Duncan, Jr.	
D246,946 S	1/1978	Schultz	
4,204,580 A	5/1980	Nalley	
D256,771 S	9/1980	Kitagawa et al.	
4,440,238 A	* 4/1984	Sauerwein et al. 173/171
D280,379 S	9/1985	Somers	
D280,796 S	10/1985	Somers	
D280,797 S	10/1985	Sakamoto et al.	
D287,814 S	1/1987	Hiraishi et al.	
D289,004 S	3/1987	Somers	
D295,714 S	5/1988	Sasaki et al.	
D301,968 S	7/1989	Kmetz	
D320,917 S	10/1991	Fushiya et al.	
D326,598 S	* 6/1992	Sakamoto et al. D8/68
D335,073 S	4/1993	Anthony et al.	
D339,046 S	9/1993	Fushiya et al.	
D340,394 S	10/1993	Okumura	
D340,396 S	10/1993	Icikawa	
D342,430 S	12/1993	Saito et al.	
D368,214 S	3/1996	Zurwelle	
D376,969 S	12/1996	Kazamaki et al.	
D392,863 S	3/1998	Sugimoto et al.	
D394,995 S	6/1998	Cooper	
D400,074 S	10/1998	Cooper	
D403,219 S	12/1998	Bosten et al.	
D404,276 S	1/1999	Ghode et al.	
5,888,031 A	* 3/1999	Buck et al. 408/234
D411,947 S	7/1999	Sugimoto et al.	
D420,879 S	2/2000	Watson	
D424,902 S	5/2000	Gildersleeve et al.	
D428,320 S	7/2000	Ohi et al.	
D431,766 S	10/2000	Zurwelle	
D433,612 S	11/2000	Donaldson, Jr.	
D435,414 S	12/2000	Etter et al.	
D437,761 S	2/2001	Okumura	
D441,268 S	5/2001	Heun et al.	
D446,704 S	8/2001	Shibata et al.	
D462,594 S	9/2002	Flickinger	
D466,777 S	12/2002	Watson	
D467,147 S	12/2002	Watson	
D467,482 S	12/2002	Kunz et al.	
D467,780 S	12/2002	Koizumi	
D467,781 S	12/2002	Kunz et al.	

D469,324 S	1/2003	Heun	
D469,674 S	2/2003	Chung	
D470,027 S	2/2003	Chunn et al.	
D470,378 S	2/2003	Chunn et al.	
D471,419 S	3/2003	Chunn et al.	
D471,784 S	3/2003	Garvis et al.	
D474,935 S	5/2003	Santarsiero et al.	
D478,262 S	8/2003	Chunn	
D482,947 S	12/2003	Lin	
D489,955 S	* 5/2004	Concari et al. D8/68
6,733,414 B1	* 5/2004	Elger 173/211
D493,344 S	* 7/2004	Watson D8/68
6,764,256 B1	* 7/2004	Miura 408/124
D494,033 S	* 8/2004	Thomas et al. D8/67
D501,385 S	* 2/2005	Cheung et al. D8/68
D515,377 S	* 2/2006	Chung et al. D8/68
2002/0096343 A1	* 7/2002	Potter et al. 173/178
2005/0257945 A1	* 11/2005	Justis et al. 173/217
2006/0060366 A1	* 3/2006	Bodine et al. 173/213

FOREIGN PATENT DOCUMENTS

DE	400 03 528	10/1999
DE	499 02 803	10/1999
DE	400 05 042	11/1999
DE	400 04 805	12/1999
DE	400 06 861	1/2000
DE	400 07 329	1/2000
DE	400 07 330	1/2000
DE	400 09 556	4/2000
DE	499 11 374	5/2000
DE	400 04 019	8/2000
DE	400 03 708	9/2000
DE	402 08 784	10/2000
DE	401 05 815	11/2001
DE	401 06 107	11/2001
DE	401 05 613	12/2001
DE	403 01 818	9/2002
DE	403 02 379	9/2002
DE	402 04 240	10/2002
DE	402 09 433	3/2003
DE	402 09 961	4/2003
DE	000008479-0001	4/2003
FR	000011929-0001	10/2002
JP	000068598-0001	2/2003
WO	DM/028 653	2/1994
WO	DM 054 790	1/2001
WO	DM/059857	5/2002

* cited by examiner

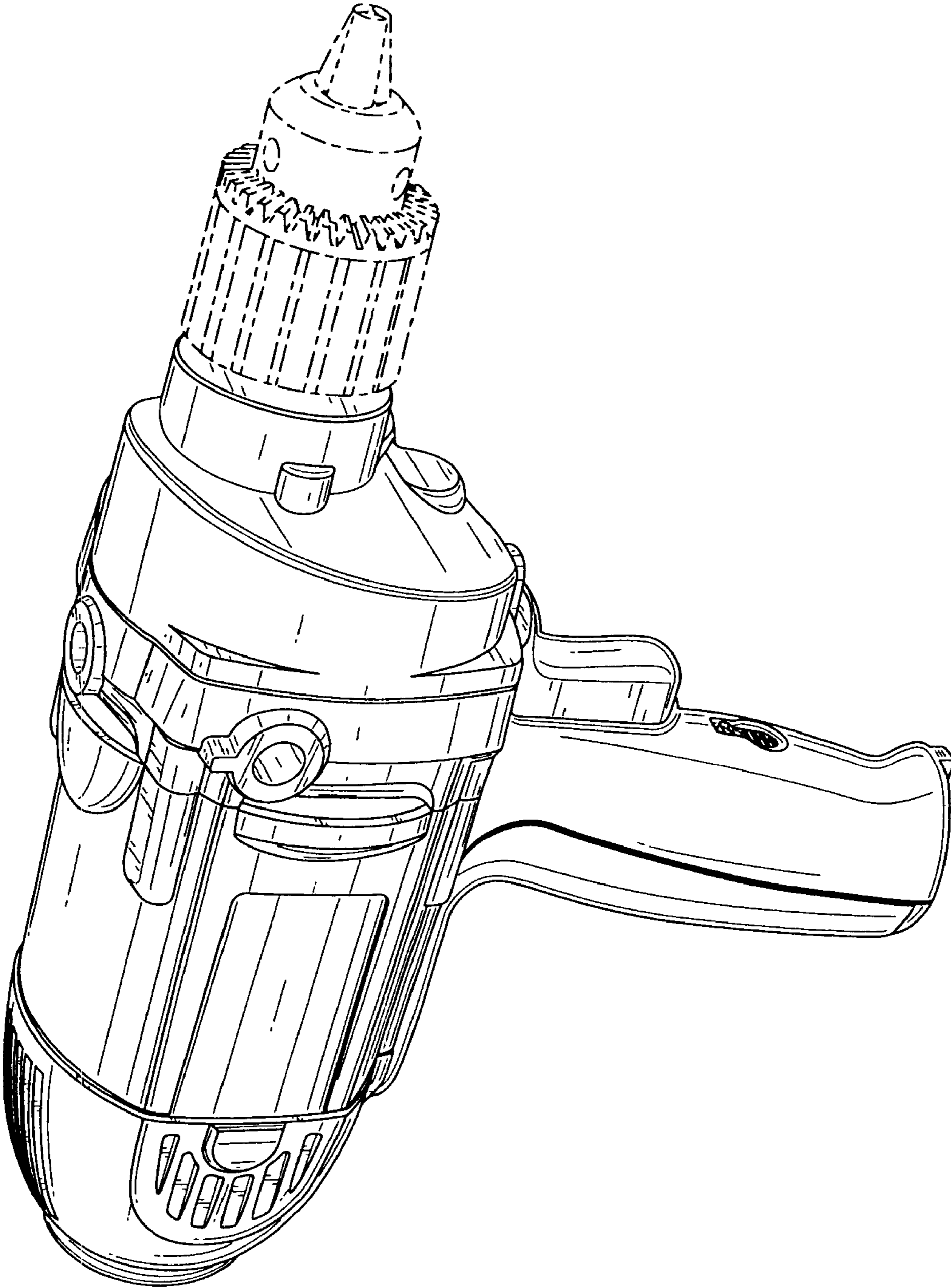


FIG. 1

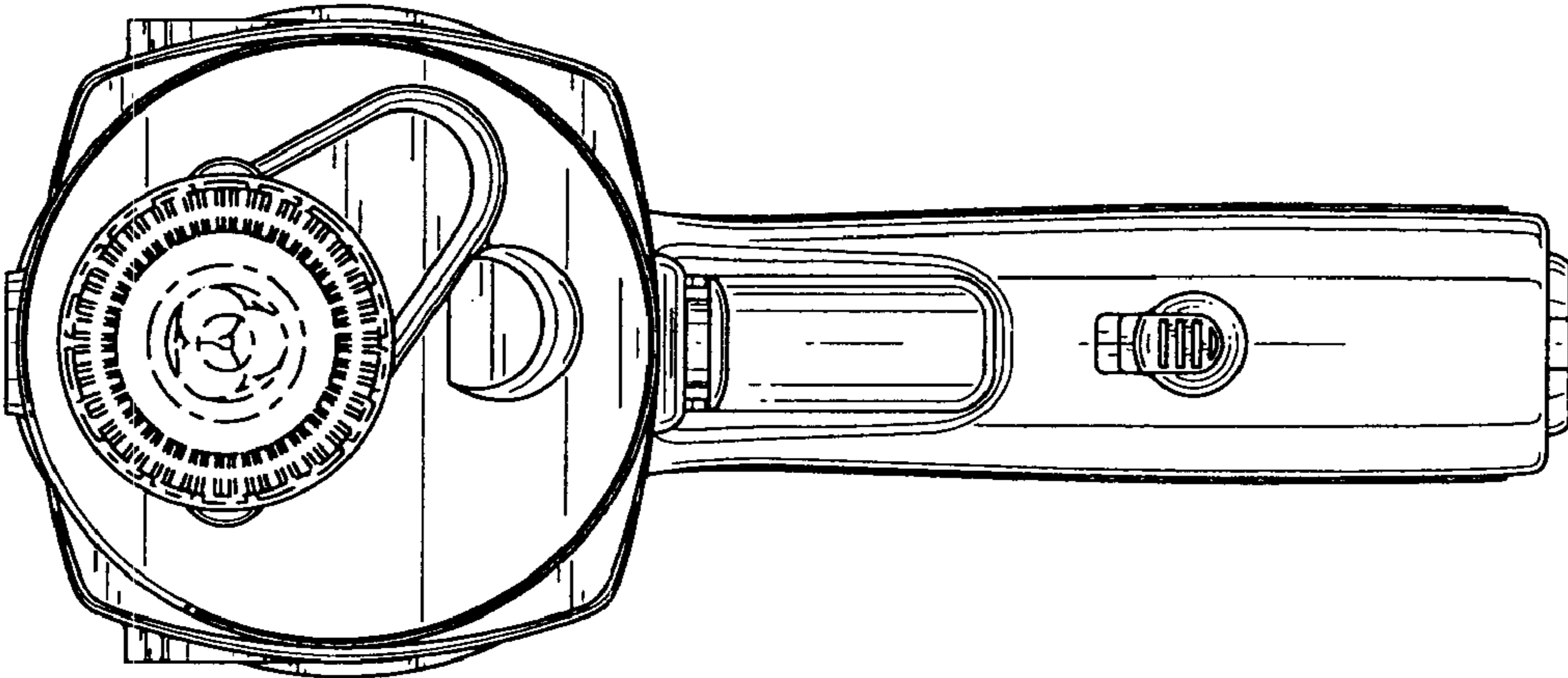


FIG. 2

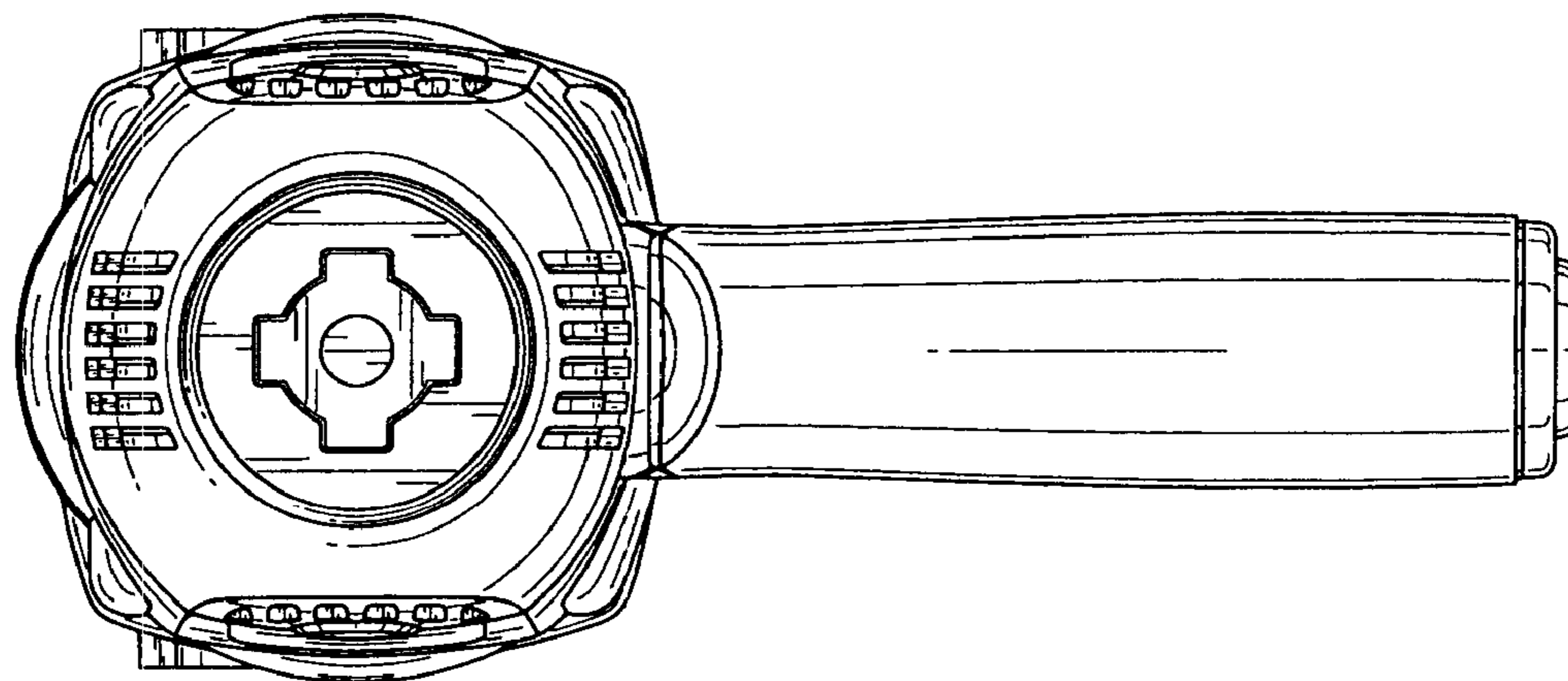


FIG. 3

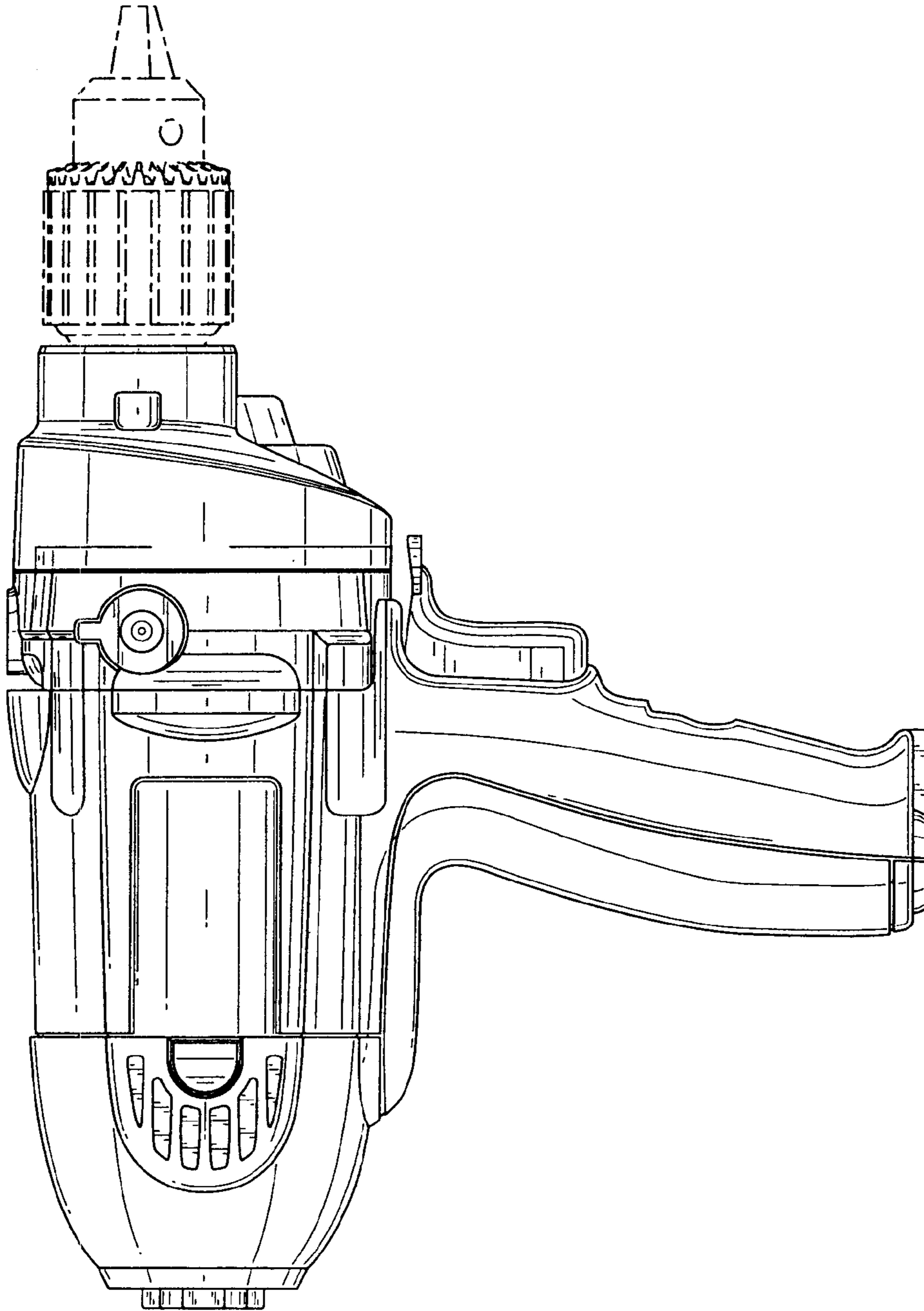


FIG. 4

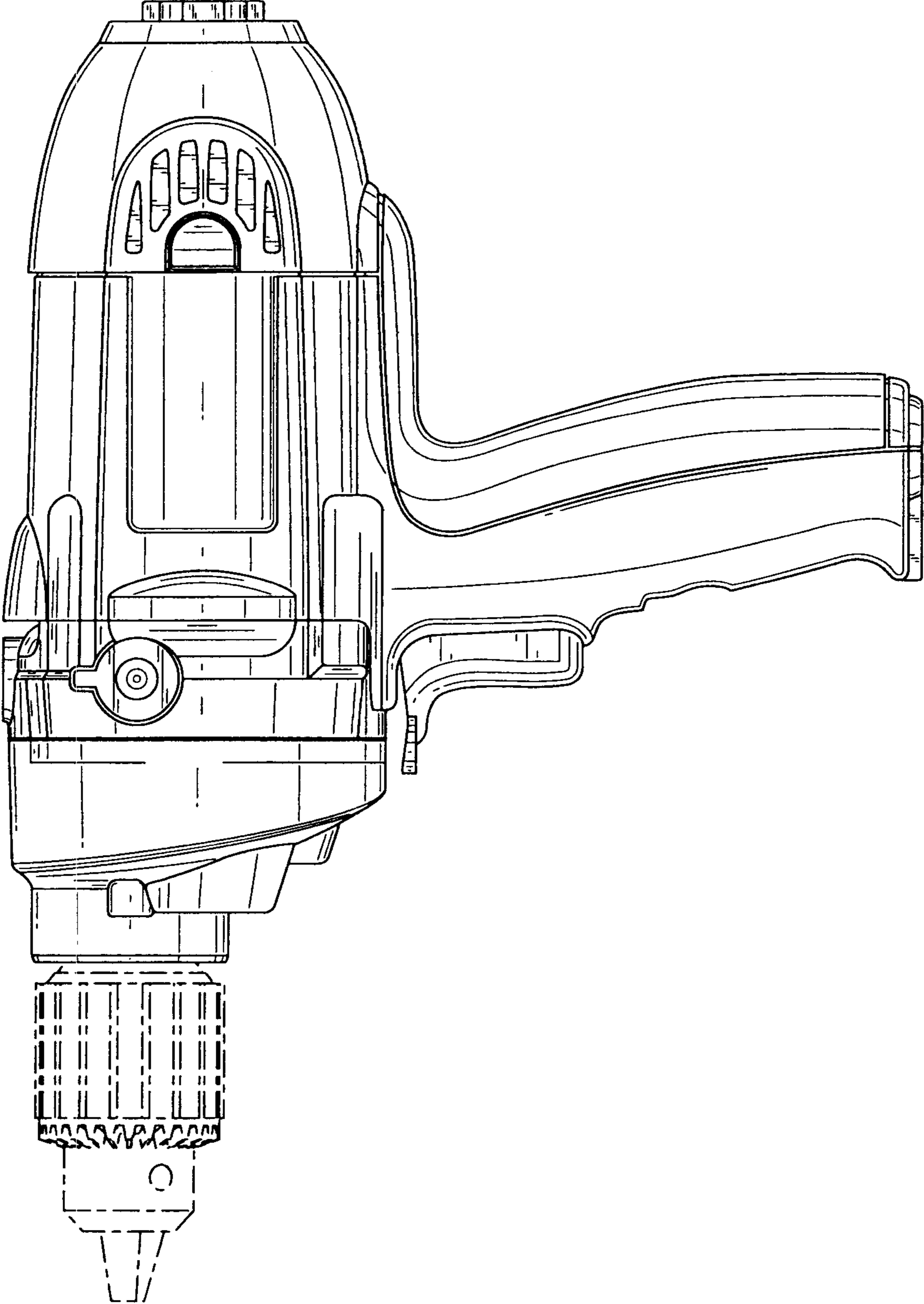


FIG. 5

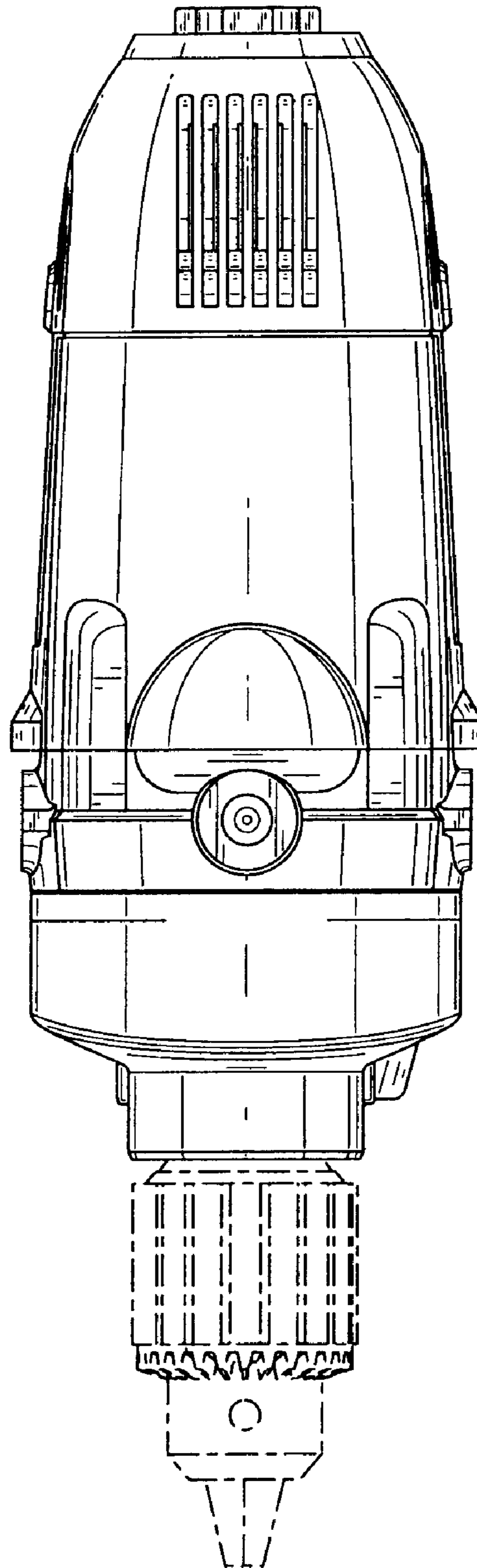


FIG. 6

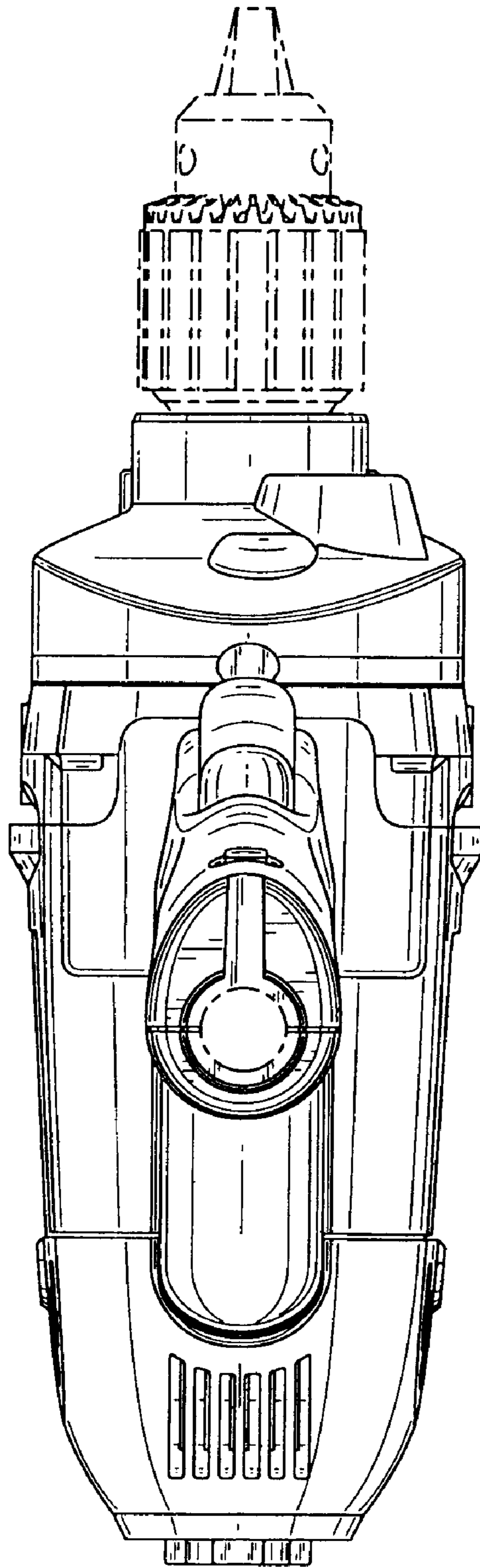


FIG. 7