



US00D534397S

(12) **United States Design Patent**
Burch

(10) **Patent No.:** **US D534,397 S**

(45) **Date of Patent:** **** Jan. 2, 2007**

(54) **CUPHOLDER FOR SLIDABLE INTERACTION WITH A HOLLOW ARMREST**

D359,862 S * 7/1995 Rousch D12/419
5,720,516 A * 2/1998 Young 297/188.18
6,408,552 B1 * 6/2002 Faulkner 297/188.14
6,582,020 B1 * 6/2003 Tenenboym et al. ... 297/188.14

(76) Inventor: **Emily H. Burch**, 6907 Graymoss Ct.,
Richmond, VA (US) 23234

* cited by examiner

(**) Term: **14 Years**

Primary Examiner—Terry A. Wallace

(74) *Attorney, Agent, or Firm*—Norman B. Rainer

(21) Appl. No.: **29/235,813**

(57) **CLAIM**

(22) Filed: **Aug. 8, 2005**

The ornamental design for a cupholder for slidable interaction with a hollow armrest, as shown and described.

(51) **LOC (8) Cl.** **07-06**

(52) **U.S. Cl.** **D7/620**

(58) **Field of Classification Search** D7/619.1–625;
D12/419; 248/311.2; 211/74, 71.01; 224/414,
224/275, 926; 297/188.14–188.18, 188.2
See application file for complete search history.

DESCRIPTION

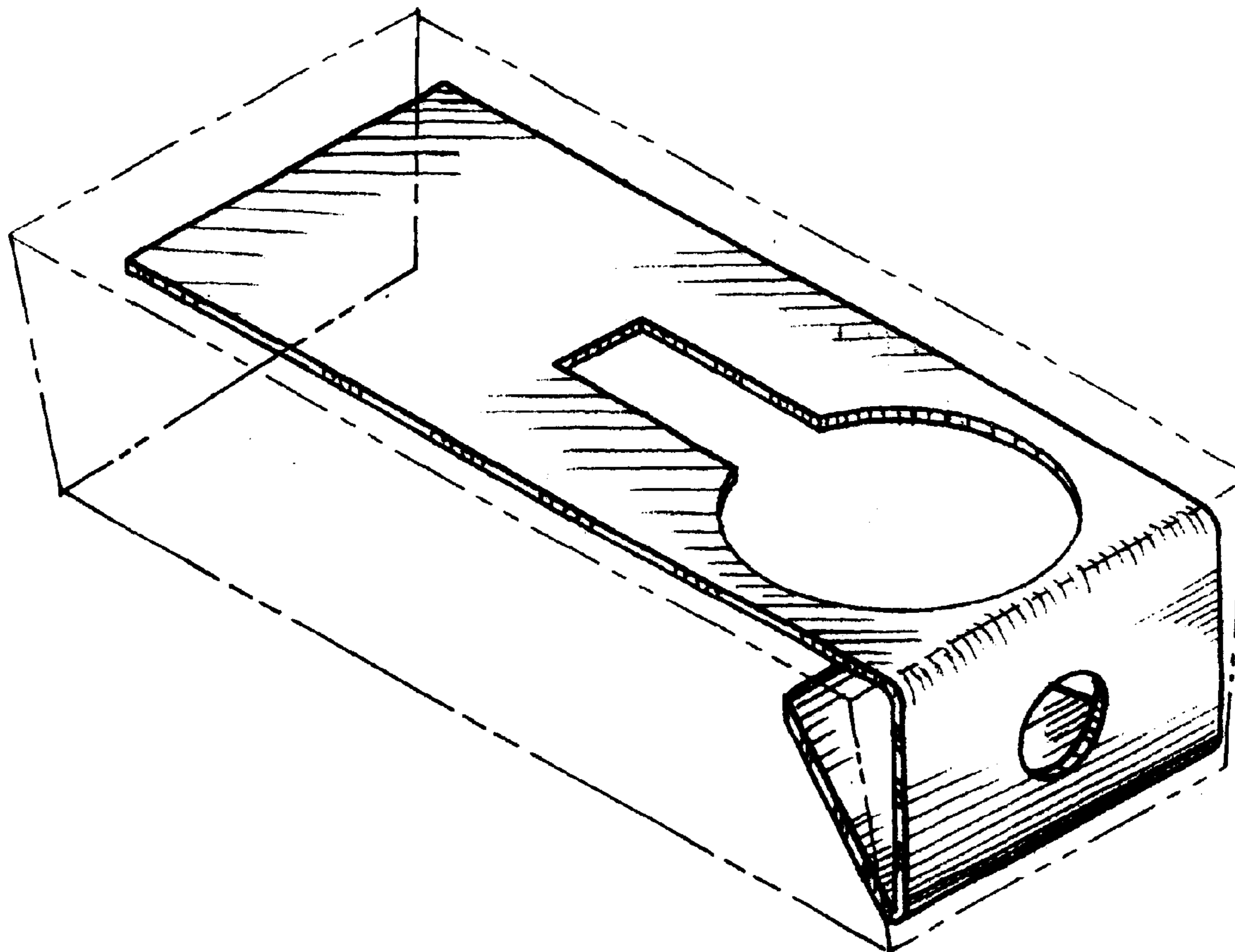
(56) **References Cited**

U.S. PATENT DOCUMENTS

D200,793 S * 4/1965 Anderson D7/619.1
D353,289 S * 12/1994 Ayotte et al. D7/620
5,395,085 A * 3/1995 Mann 248/311.2

FIG. 1 is a perspective view of a cupholder for slidable interaction with a hollow armrest showing my new design, and shown in association with a hollow armrest depicted in phantom outline, and not a part of this invention; FIG. 2 is a top view thereof; FIG. 3 is a side view thereof, the unshown opposite side being of identical appearance; FIG. 4 is a bottom view thereof; and, FIG. 5 is an end view thereof taken from the left of FIG. 2.

1 Claim, 2 Drawing Sheets



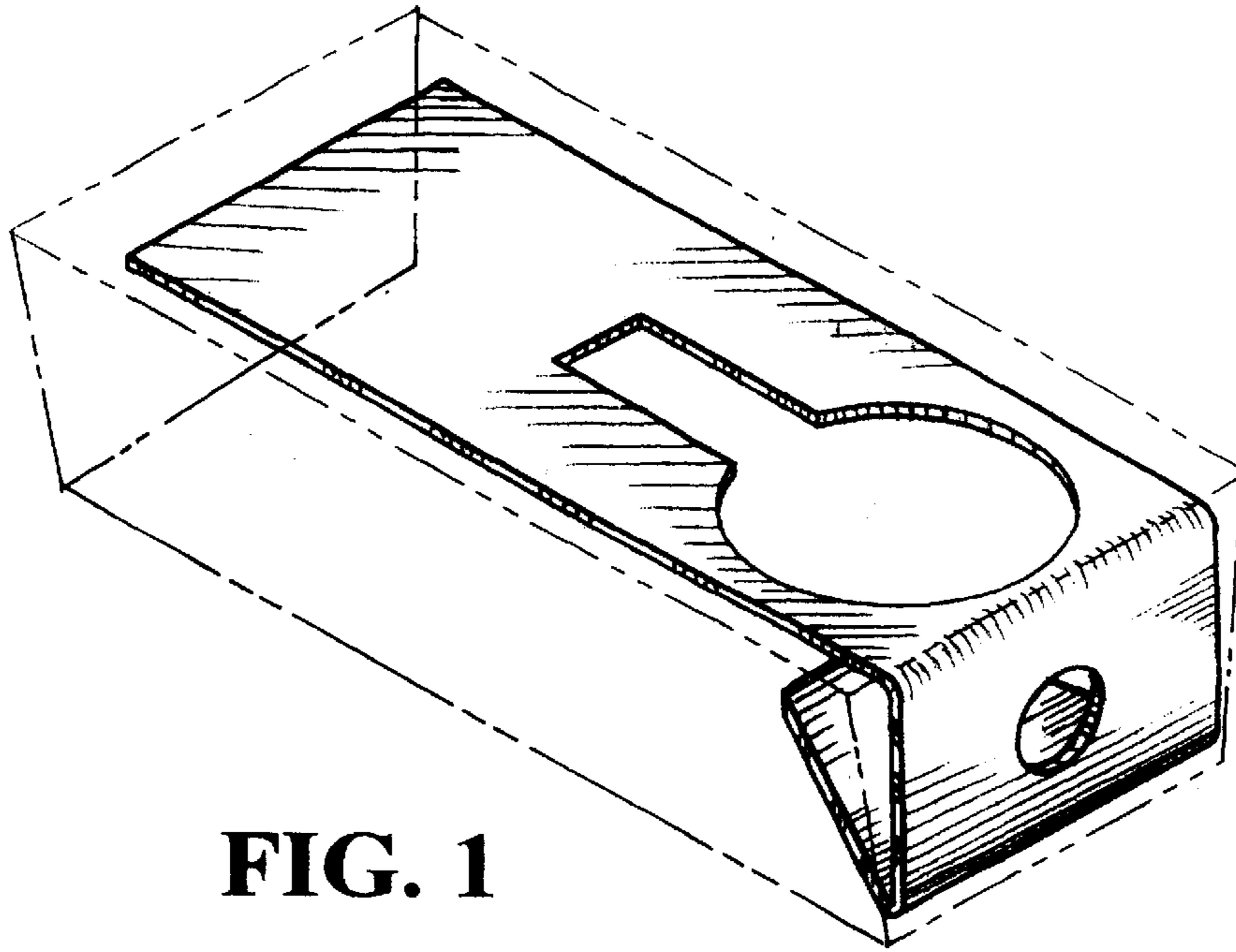


FIG. 1

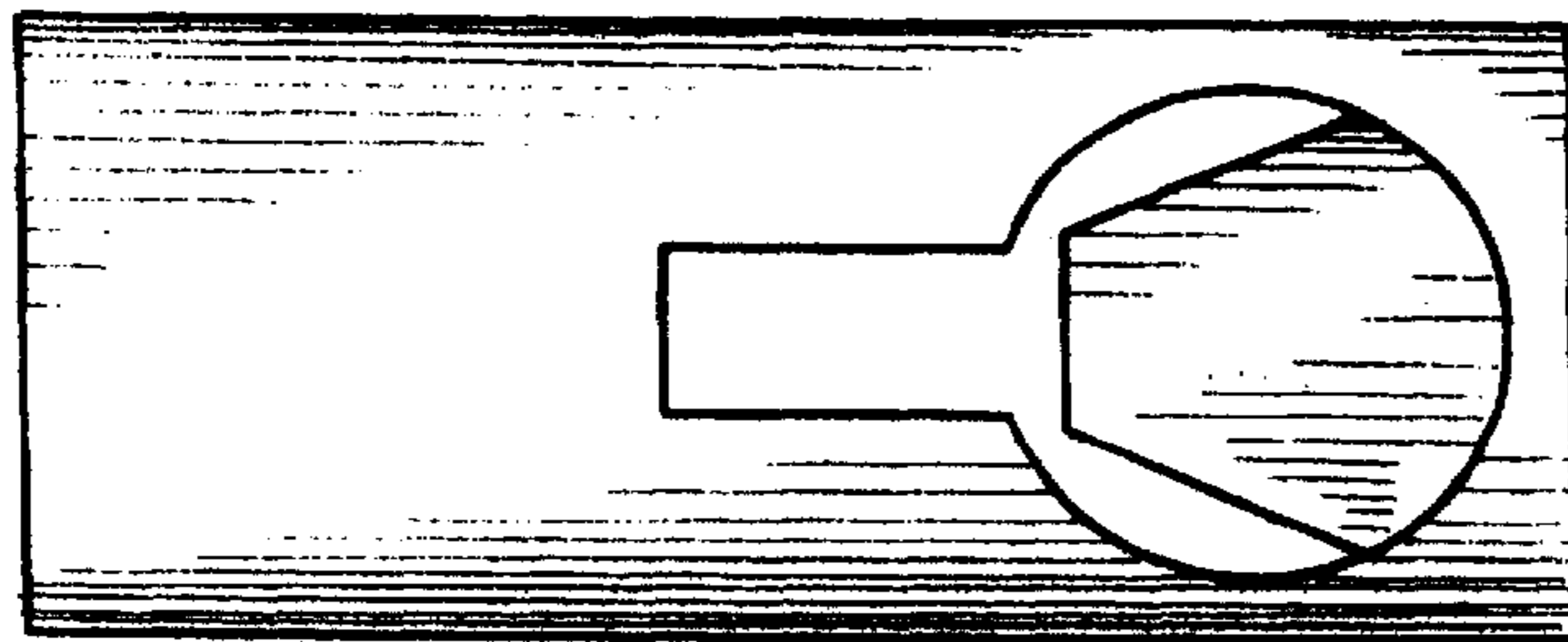


FIG. 2

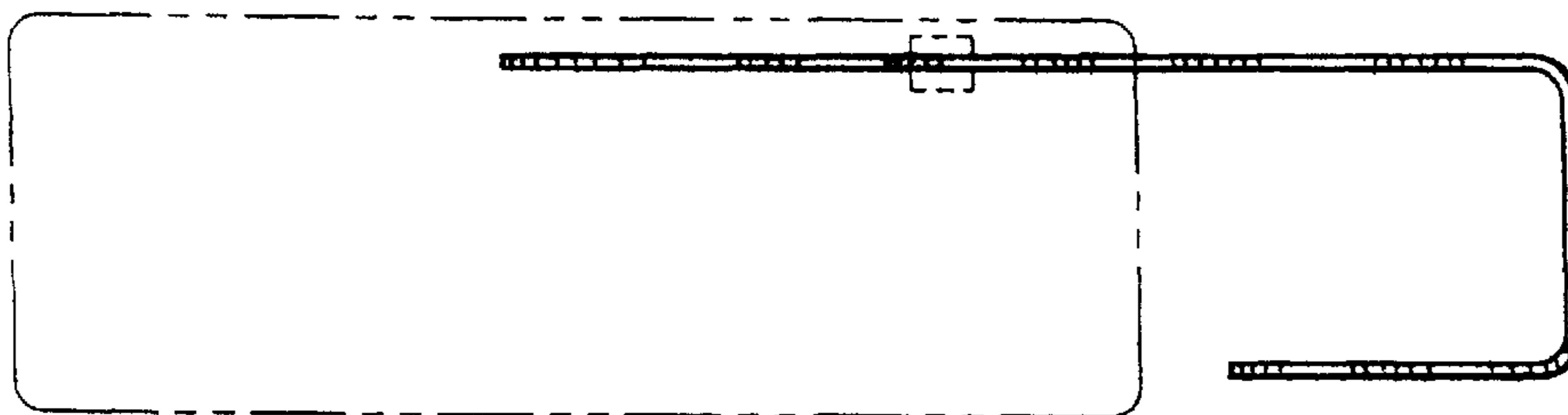


FIG. 3

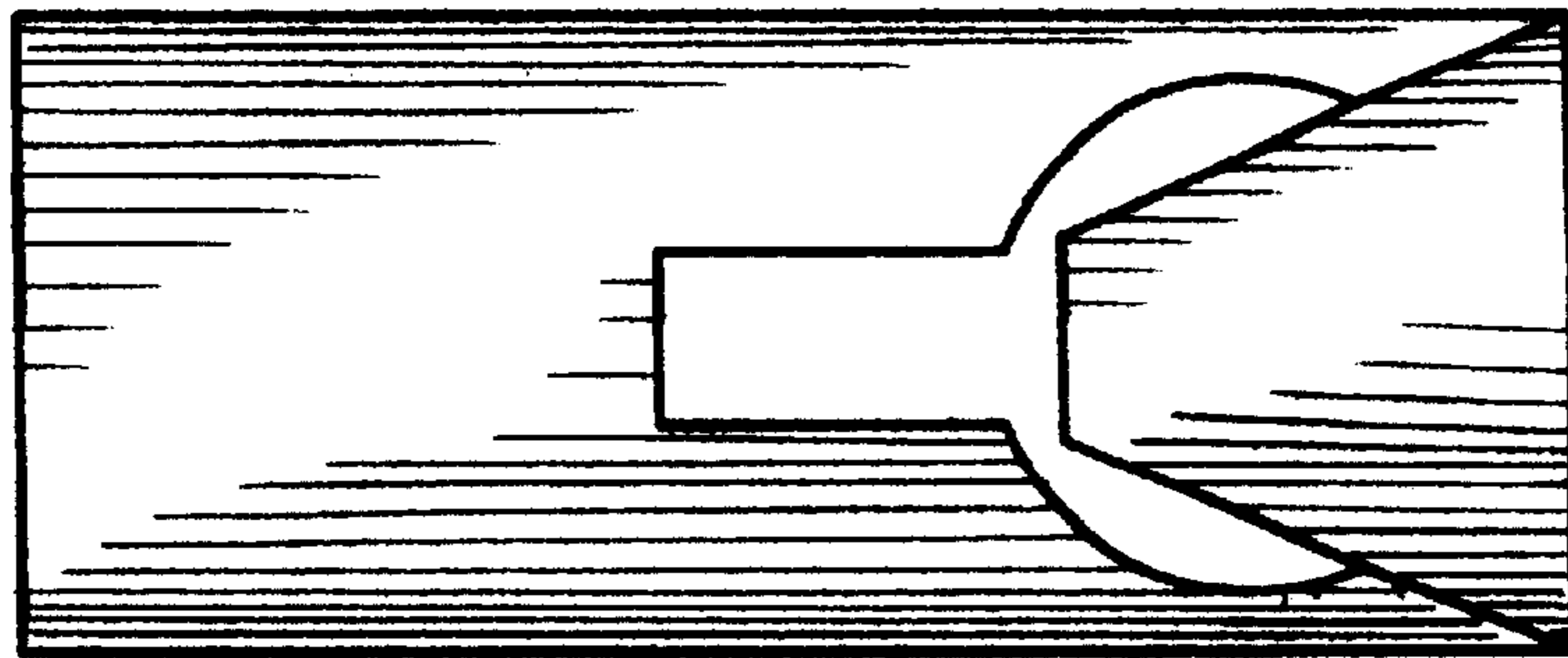


FIG. 4

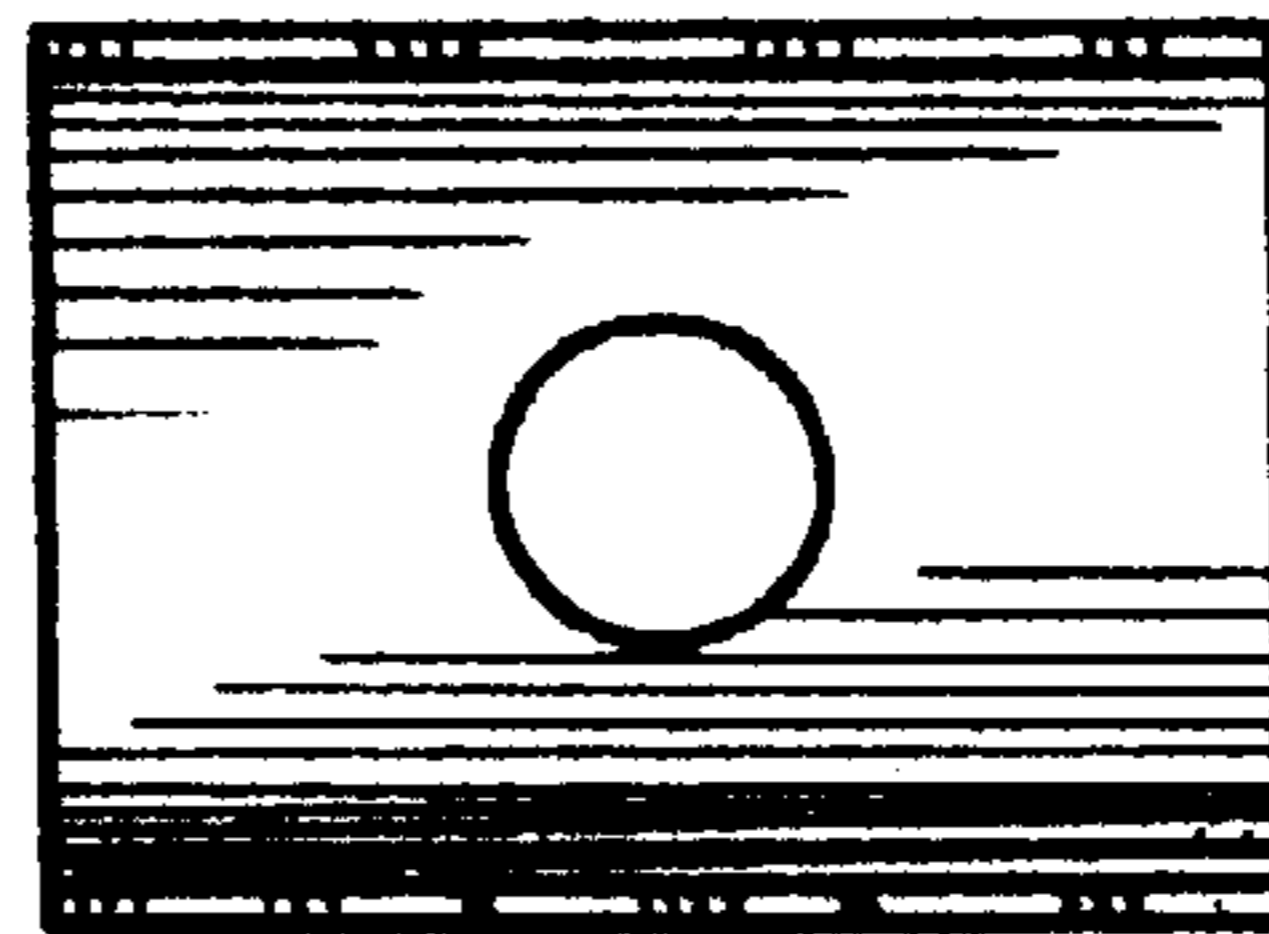


FIG. 5