



US00D534394S

(12) **United States Design Patent** (10) **Patent No.:** **US D534,394 S**
Zhiwen et al. (45) **Date of Patent:** **** Jan. 2, 2007**

(54) **BLENDER**

FOREIGN PATENT DOCUMENTS

(75) Inventors: **Liao Zhiwen**, Foshan (CN); **Brian K. Beesley**, Draper, UT (US)
(73) Assignee: **Back to Basics Products, Inc.**, Bluffdale, UT (US)

EP	1475024	11/2004
GB	764361 A	12/1956
JP	2004 113278	4/2004
JP	2004 357752	12/2004
WO	WO2004/080252	9/2004

(**) Term: **14 Years**

OTHER PUBLICATIONS

(21) Appl. No.: **29/251,618**

(22) Filed: **Jan. 9, 2006**

(51) **LOC (8) Cl.** **31-00**
(52) **U.S. Cl.** **D7/378**
(58) **Field of Classification Search** D7/376-386,
D7/412, 413, 665; 99/509-511; 241/30, 33,
241/37.5, 101.01-101.02, 166-169.1, 274-278.2,
241/282.1-282.2, 285.1-285.3, 291, 292.1,
241/301; 366/64-67, 98, 100, 129, 197-201,
366/205-207, 219-221, 241-254, 279-292,
366/325.94, 330.4, 341-343

10 Crescent Lane, Mar. 2001 Catalog, Jenn-Air Artrezi Blender.*
Owner's Manual & Recipe Book, Automatic Hot Milk Frother, Froth Aulait Models FAL-W & FAL-B.
Operating Instructions for the Mr. Coffee Cocomotion Hot Chocolate Maker, pp. 1-16.
The Chef's Catalog, Fall 2002, p. 18 Smoothie Pro 600.
Frontgate—Outfitting America's Finest Homes, Early Spring 2004 Catalog, Feb. 15, 2006, Item #13861 Artrezi Blender.
Frontgate—Outfitting American's Finest Homes, Fall 2002 Catalog, T-Fal, Feb. 17, 2006, Item #16513 Chrome 40 Oz. Blender.

See application file for complete search history.

Primary Examiner—Cathron C. Brooks
Assistant Examiner—Ricky Pham
(74) *Attorney, Agent, or Firm*—Thorpe North & Western, LLP

(56) **References Cited**

U.S. PATENT DOCUMENTS

373,113 A	11/1887	Wagner
374,706 A	12/1887	Rosenkranz
1,412,536 A	4/1922	Mayer
1,874,079 A	8/1932	Black
2,012,637 A	8/1935	Ribley
2,066,997 A	1/1937	Mueller
2,070,545 A	2/1937	Gilbert
2,104,089 A	1/1938	Marks
2,282,866 A	5/1942	Hagen
2,311,379 A	2/1943	Gillanders
2,315,018 A	3/1943	Lawrence
D156,635 S	12/1949	Law et al.
2,559,196 A	7/1951	Medved
2,785,547 A	3/1957	Barros
D183,177 S	7/1958	Oertli
2,851,258 A	9/1958	Siehrs
2,945,634 A	7/1960	Beck et al.

(57) **CLAIM**

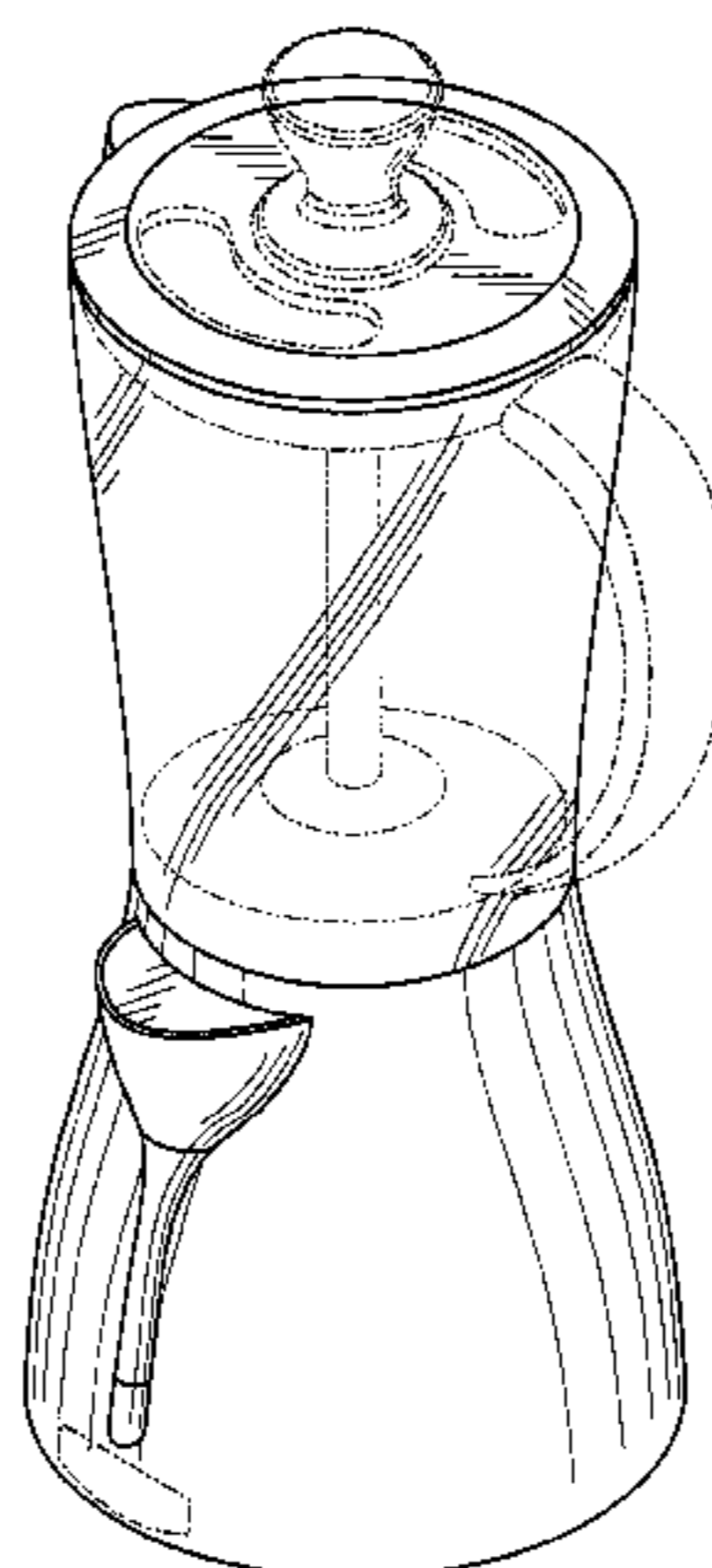
The ornamental design for a blender, as shown and described.

DESCRIPTION

FIG. 1 is an elevated, perspective view of the blender in accordance with my invention;
FIG. 2 is a front elevation view thereof;
FIG. 3 is a back elevation view thereof;
FIG. 4 is a left side elevation view thereof;
FIG. 5 is a right side elevation view thereof;
FIG. 6 is a top plan view thereof; and,
FIG. 7 is a bottom plan view thereof.
The broken lines shown in FIGS. 1-7 are for illustrative purposes only and form no part of the claimed design.

(Continued)

1 Claim, 6 Drawing Sheets



US D534,394 S

U.S. PATENT DOCUMENTS					
D189,904 S	3/1961	Seltsam	D373,504 S	9/1996	Leverrier
3,013,775 A	12/1961	Bruntjen	5,567,049 A	10/1996	Beaudet et al.
D194,389 S	1/1963	Bejamin	D378,400 S	3/1997	Kowalics
3,088,345 A	5/1963	Campbell	D379,050 S	5/1997	Kohanski
3,104,089 A	9/1963	Seltsam	5,636,923 A	6/1997	Nejat-Bina
3,107,711 A	10/1963	Azmus	5,662,032 A	9/1997	Baratta
D199,888 S	* 12/1964	Dewenter D7/378	5,671,664 A	9/1997	Jacobson
D200,230 S	2/1965	Seltsam	5,690,021 A	11/1997	Grey
D205,827 S	9/1966	Plagenberg	D394,986 S	6/1998	Lallemand
3,315,947 A	4/1967	Nauta	5,758,963 A	6/1998	Xie et al.
3,346,029 A	10/1967	Harris	5,823,667 A	10/1998	Fukushima et al.
3,355,068 A	11/1967	Harland	5,857,946 A	1/1999	Brown
3,417,972 A	12/1968	Vincent	D412,262 S	7/1999	Roundtree
3,427,636 A	2/1969	Seifert	6,065,188 A	5/2000	Wold et al.
3,765,275 A	10/1973	Johnson	6,065,861 A	5/2000	Chen
3,780,393 A	12/1973	Gaetke	6,158,626 A	12/2000	Guerra et al.
3,895,548 A	7/1975	Sauve	D439,797 S	4/2001	Planca et al.
3,920,224 A	11/1975	Fassauer	6,283,625 B1	9/2001	Frankel et al.
3,938,784 A	2/1976	Moreton	D448,967 S	10/2001	Planca et al.
4,030,707 A	6/1977	Moreton	6,318,247 B1	11/2001	Di Nunzio et al.
4,071,789 A	1/1978	Ernster et al.	D453,443 S	2/2002	Hoare et al.
D249,701 S	9/1978	Maples et al.	6,402,365 B1	* 6/2002	Wong 366/206
4,116,366 A	9/1978	Takenakashima et al.	D463,194 S	9/2002	Busick et al.
4,137,578 A	2/1979	Felici	D465,127 S	11/2002	Lee
4,201,487 A	5/1980	Backhaus	6,488,400 B1	12/2002	Masip et al.
4,250,771 A	2/1981	Berler	6,523,994 B1	2/2003	Lawson
4,252,160 A	2/1981	Numbers	6,527,433 B1	3/2003	Daniels, Jr.
4,268,080 A	5/1981	Lindley	D473,421 S	4/2003	Daniels, Jr.
4,337,000 A	6/1982	Lehmann	D474,065 S	5/2003	Daniels, Jr.
4,357,861 A	11/1982	Di Girolamo	D474,067 S	5/2003	Daniels, Jr.
D267,841 S	2/1983	Leslie	D474,643 S	5/2003	Daniels, Jr.
D268,811 S	5/1983	Black	6,609,821 B1	8/2003	Wulf et al.
D269,471 S	6/1983	Auerbach	D479,666 S	* 9/2003	Barker D7/378
4,395,792 A	8/1983	Cosner	6,637,681 B1	10/2003	Planca et al.
4,397,427 A	8/1983	Howard	D482,235 S	11/2003	Yui
D271,368 S	11/1983	Belland et al.	6,652,137 B1	11/2003	Bosch et al.
4,488,664 A	12/1984	Cleland	D483,993 S	* 12/2003	Boyle et al. D7/413
4,501,538 A	2/1985	Bray et al.	D487,213 S	3/2004	Boyle et al.
4,513,688 A	4/1985	Fassauer	D487,668 S	3/2004	Sands
4,537,332 A	8/1985	Brown et al.	D493,331 S	7/2004	Munoz
4,561,782 A	12/1985	Jacobsen et al.	6,817,750 B1	11/2004	Sands
D295,138 S	4/1988	Hyde	D500,633 S	1/2005	Sands
4,824,369 A	4/1989	Levy	D501,759 S	2/2005	Sands
5,048,402 A	9/1991	Letournel et al.	D502,358 S	* 3/2005	Weaden D7/378
D337,234 S	7/1993	McGinnis	D519,314 S	* 4/2006	Blaise D7/378
5,302,021 A	4/1994	Jennett et al.	2001/0006486 A1	7/2001	Ofvcerberg
5,323,691 A	6/1994	Reese et al.	2002/0027175 A1	3/2002	Capp
5,356,215 A	10/1994	Inoue et al.	2002/0080678 A1	6/2002	Daniel, Jr.
D363,634 S	10/1995	Cohn	2003/0099154 A1	5/2003	Daniels, Jr.
5,479,851 A	1/1996	McClean et al.	2005/0047272 A1	3/2005	Sands
D370,151 S	5/1996	McLinden et al.	2005/0068847 A1	3/2005	Sands
5,518,312 A	5/1996	Inoue et al.	2005/0122837 A1	6/2005	Bravard et al.

* cited by examiner

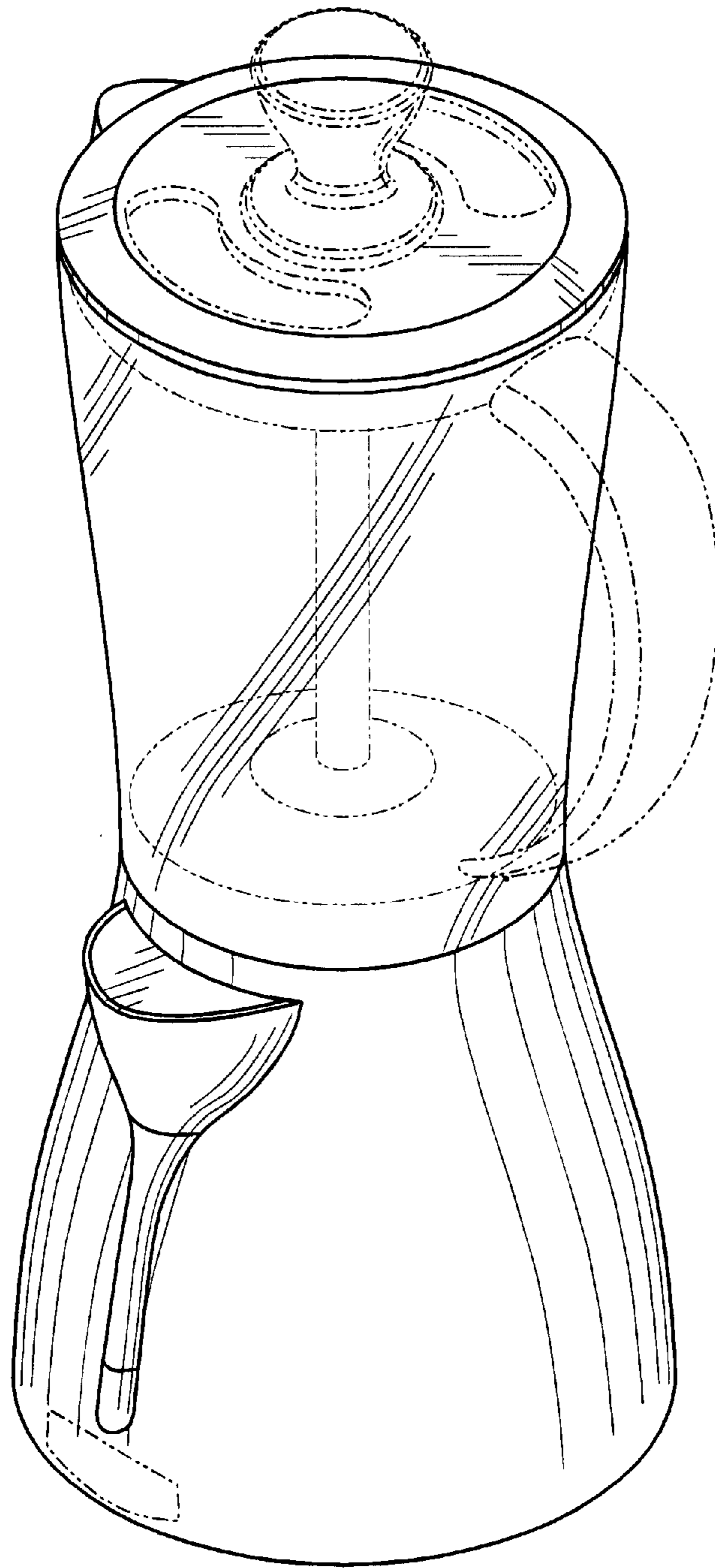


FIG. 1

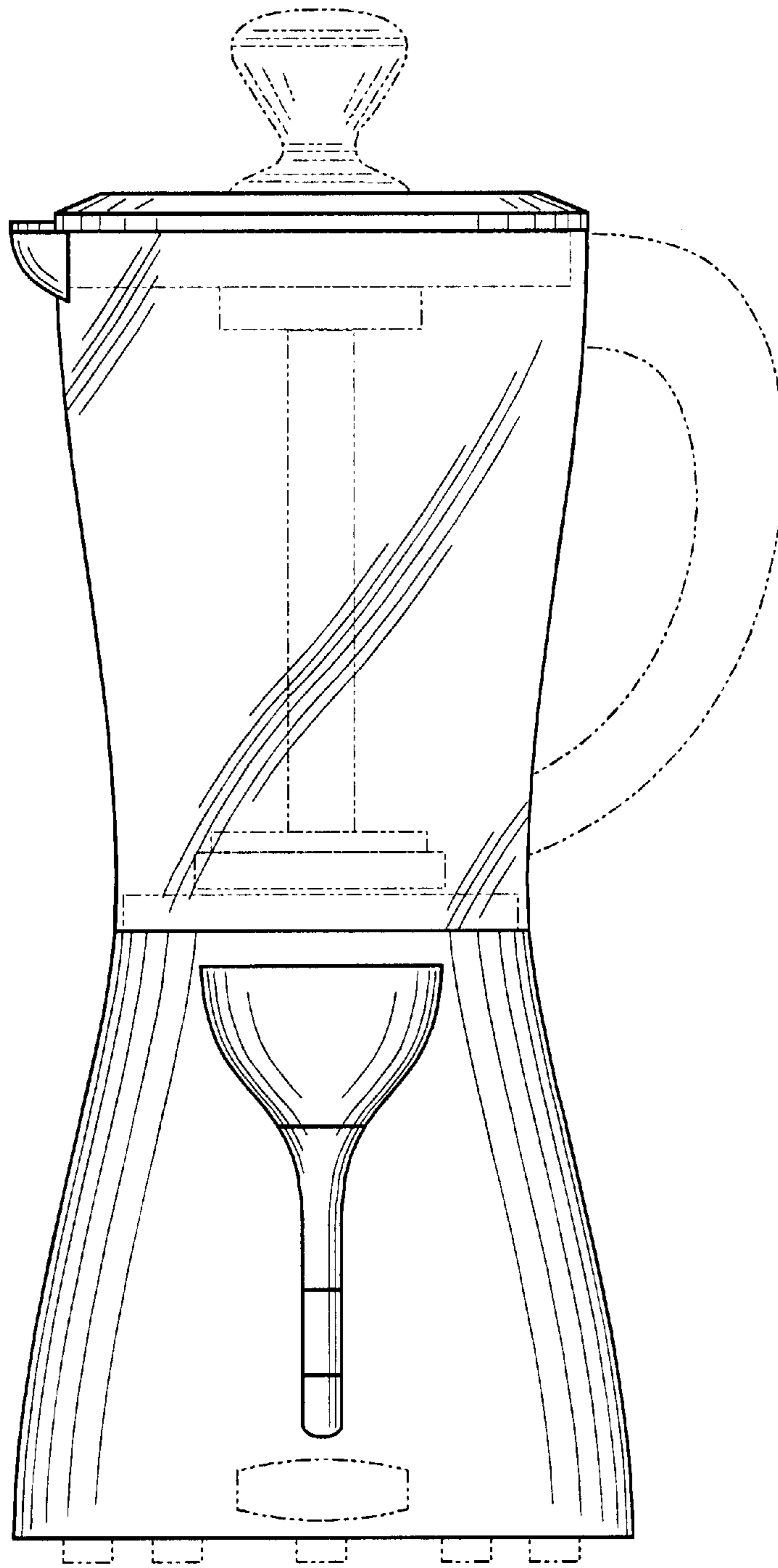


FIG. 2

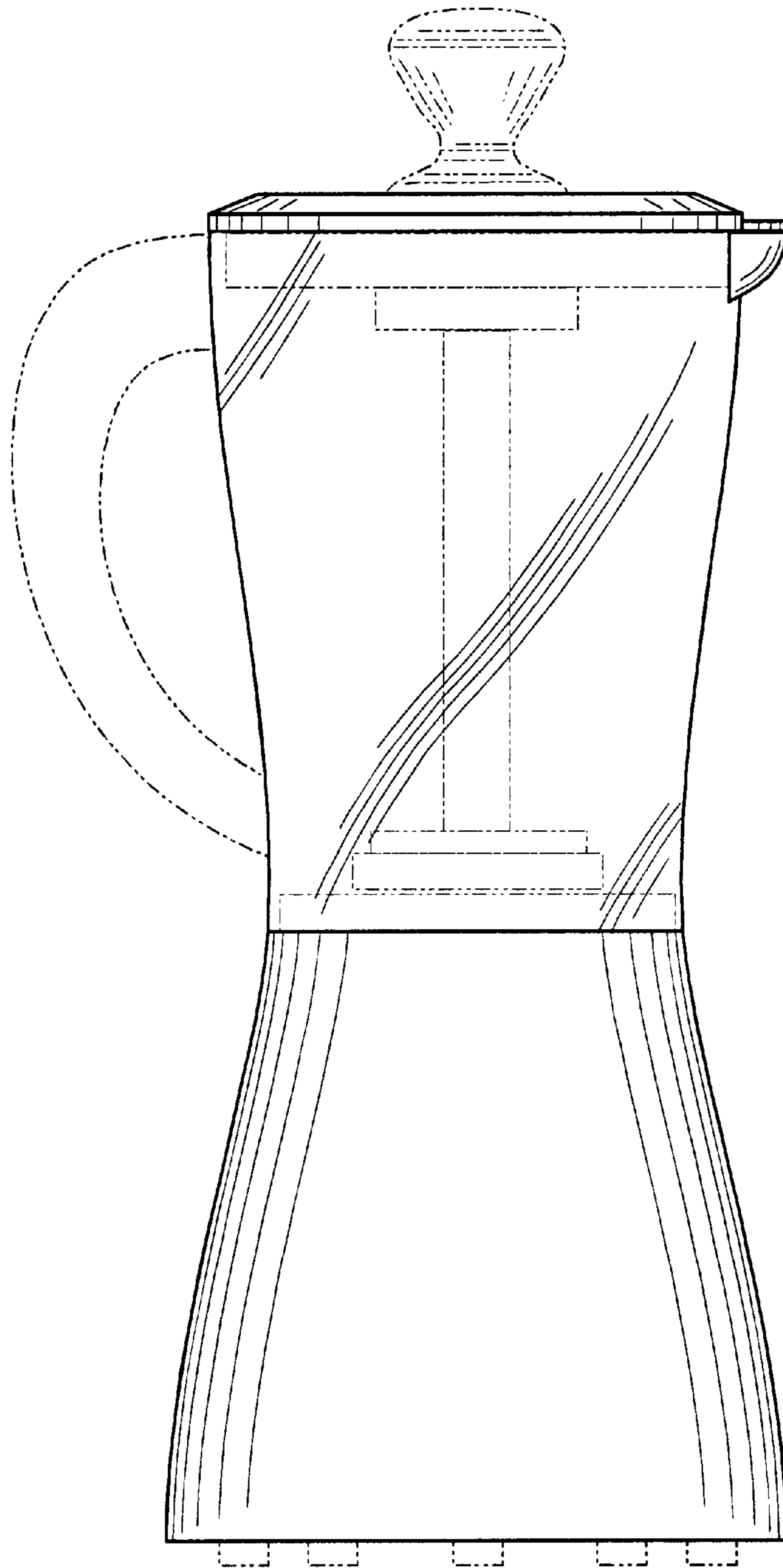


FIG. 3

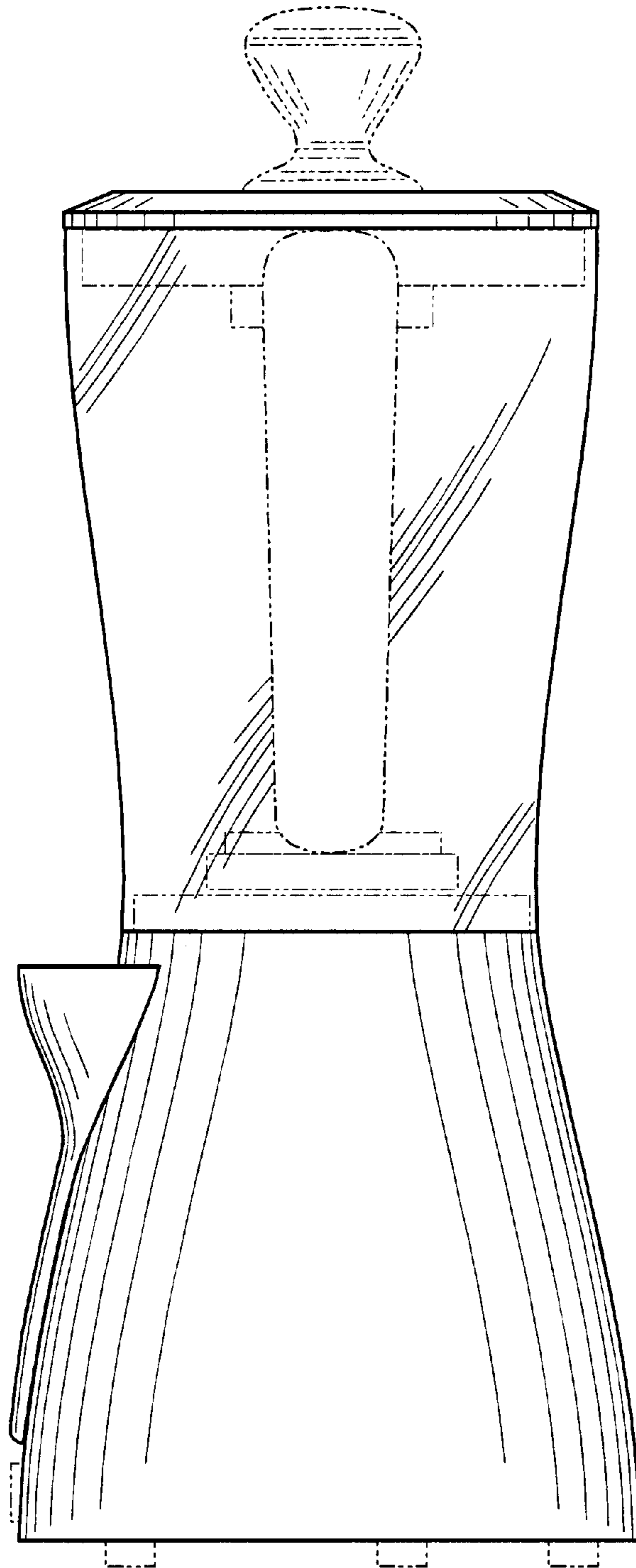


FIG. 4

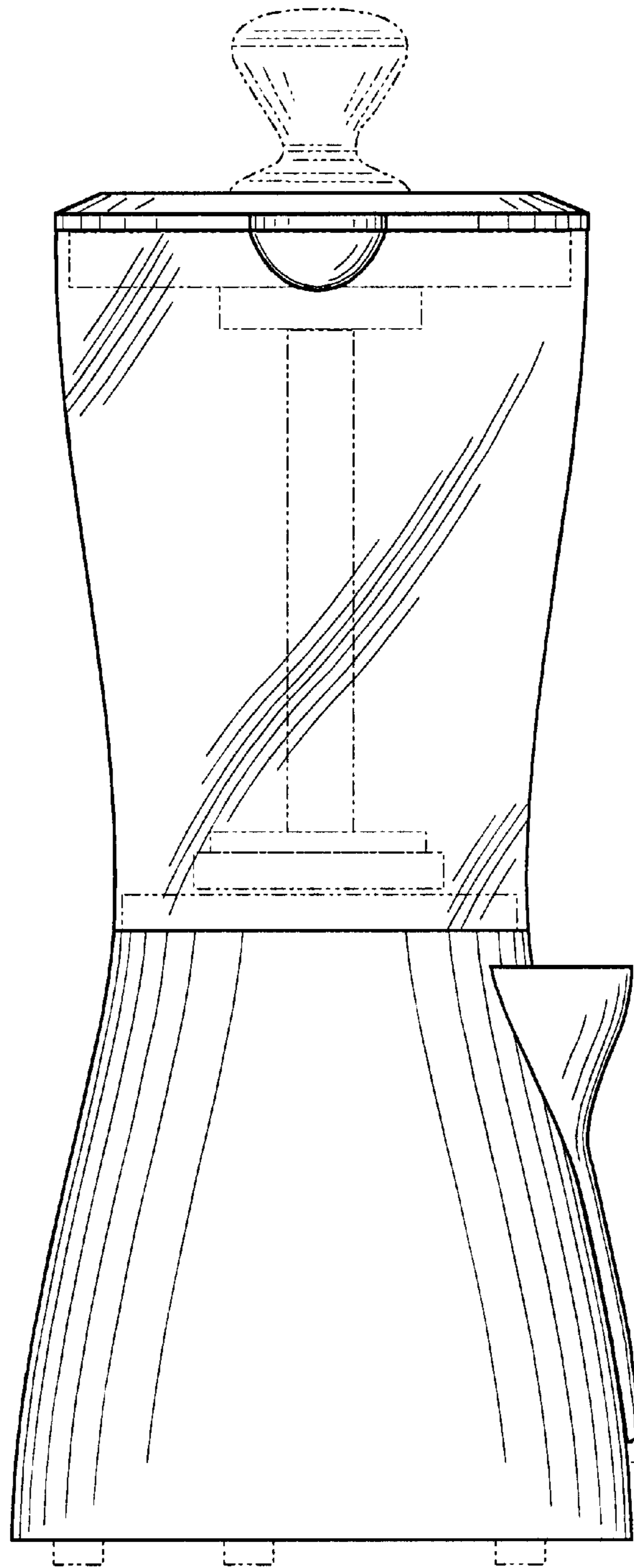


FIG. 5

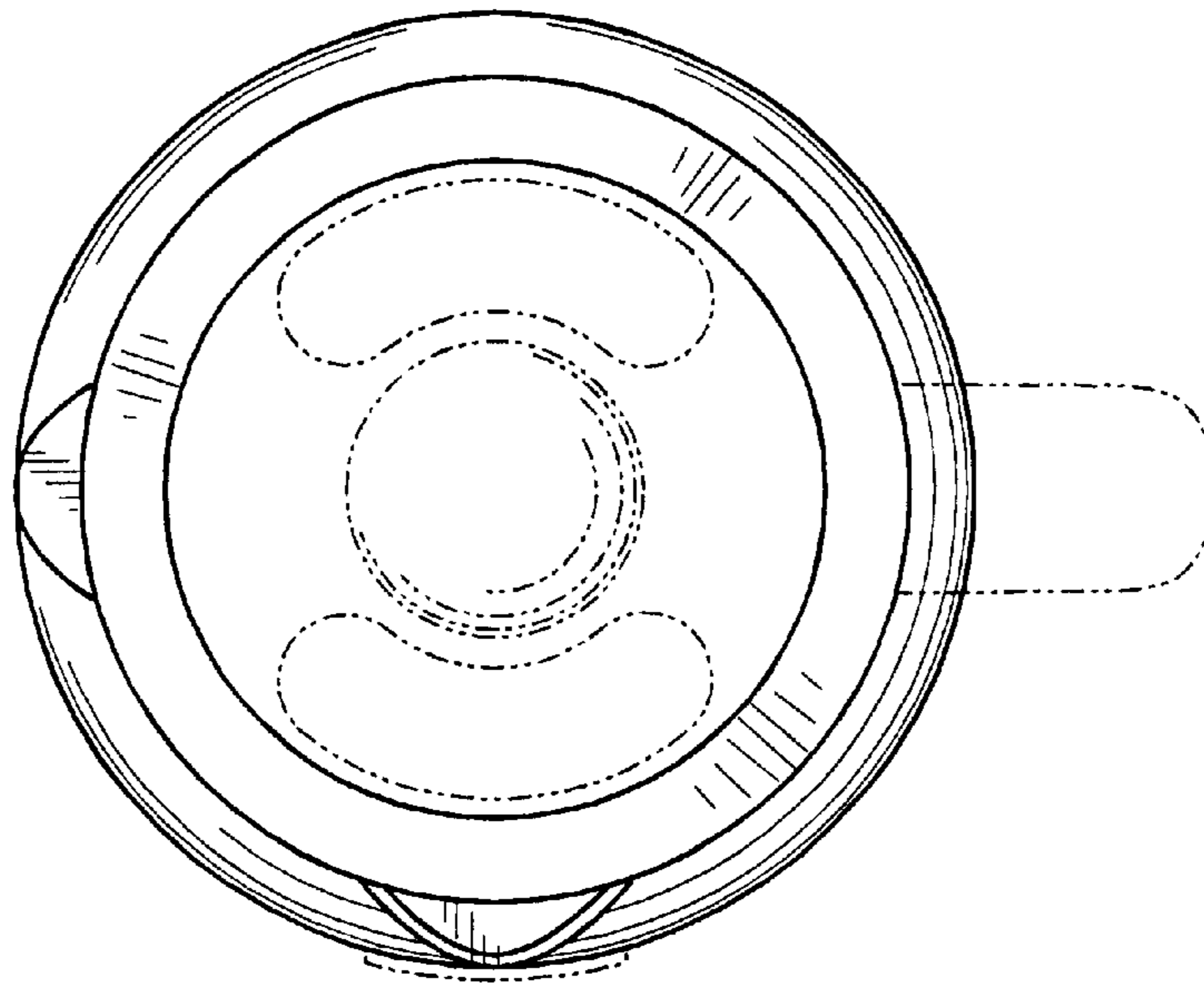


FIG. 6

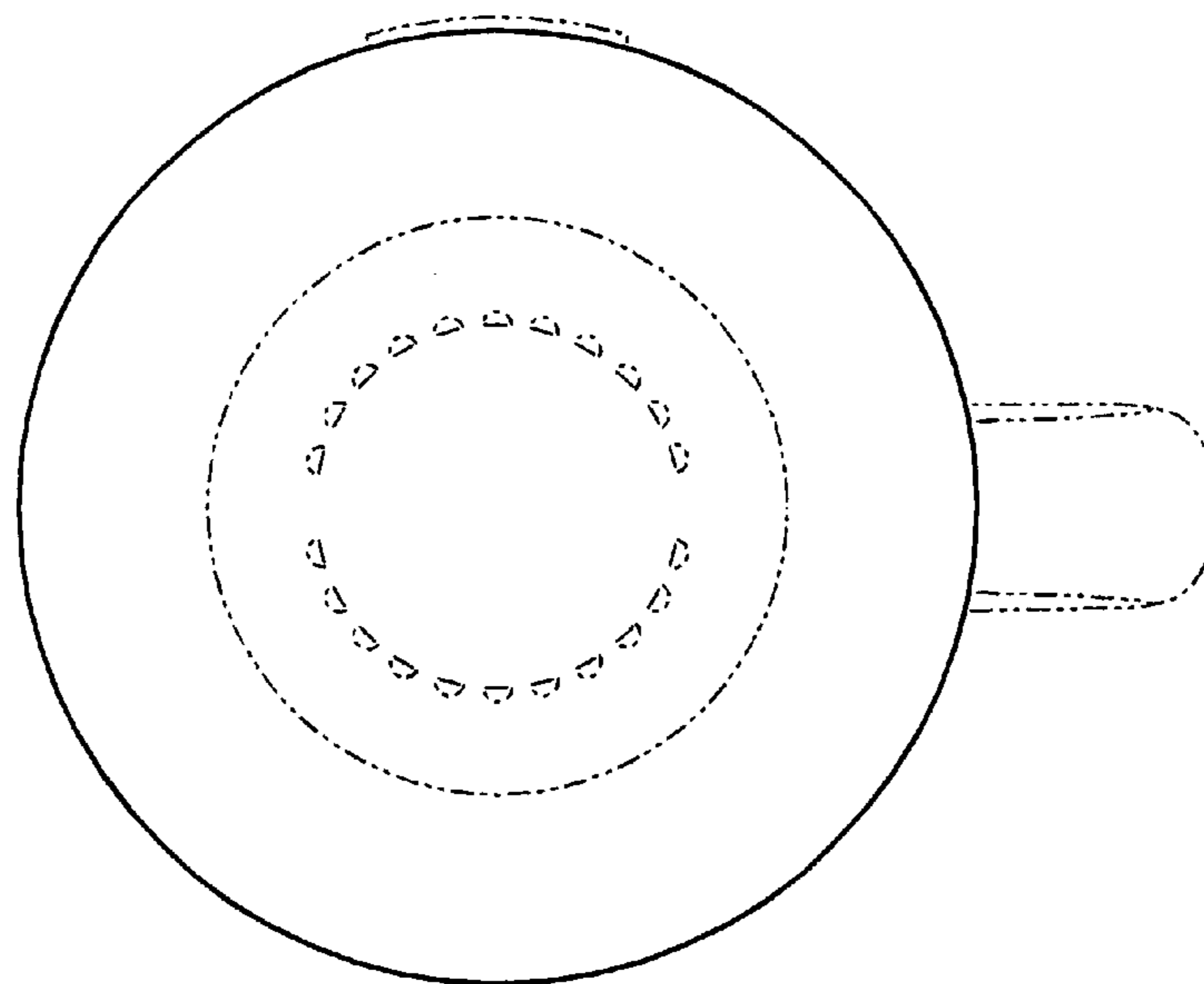


FIG. 7