



US00D534393S

(12) **United States Design Patent**
de Groote

(10) **Patent No.:** **US D534,393 S**

(45) **Date of Patent:** **** Jan. 2, 2007**

(54) **BLENDER INSERT FOR A FOOD SHAKER**

(75) Inventor: **Jan-Hendrik de Groote**, Brussels (BE)

(73) Assignee: **Dart Industries Inc.**, Orlando, FL (US)

(**) Term: **14 Years**

(21) Appl. No.: **29/245,170**

(22) Filed: **Dec. 20, 2005**

(51) **LOC (8) Cl.** **31-00**

(52) **U.S. Cl.** **D7/376**

(58) **Field of Classification Search** D7/376-378,
D7/381-384, 392, 392.1, 412; 366/129, 130,
366/135, 242, 342, 343; D24/197

See application file for complete search history.

(56) **References Cited**

U.S. PATENT DOCUMENTS

1,241,307	A	*	9/1917	Thompkins	366/129
D120,771	S	*	5/1940	Zimmer	D7/412
D228,022	S	*	7/1973	Stetmann	D7/412
3,820,692	A		6/1974	Swett et al.		
4,818,114	A	*	4/1989	Ghavi	366/130
D374,150	S		10/1996	Lillelund et al.		
D426,744	S	*	6/2000	Wong	D7/384
D451,199	S	*	11/2001	Atkin et al.	D24/197
D451,200	S	*	11/2001	Johansen et al.	D24/197
D465,697	S	*	11/2002	Renz	D7/376
D467,464	S	*	12/2002	Sampaio	D7/412

D475,576	S	*	6/2003	Glucksman et al.	D7/412
D476,522	S	*	7/2003	Renz	D7/376
6,616,318	B1	*	9/2003	LeBlanc et al.	366/129
6,616,319	B1	*	9/2003	Renz	366/130
D495,925	S	*	9/2004	Ulanski et al.	D7/412
7,036,975	B1	*	5/2006	Renz	366/130
2005/0007869	A1	*	1/2005	Venus	366/129

OTHER PUBLICATIONS

Rubbermaid; Elegan MixerMate Shaker; © 2004.

* cited by examiner

Primary Examiner—Holly H. Baynham

Assistant Examiner—Cynthia M. Chin

(74) *Attorney, Agent, or Firm*—John A. Doninger

(57) **CLAIM**

The ornamental design for a blender insert for a food shaker, as shown and described.

DESCRIPTION

FIG. 1 is a top perspective view of a blender insert for a food shaker showing my new design.

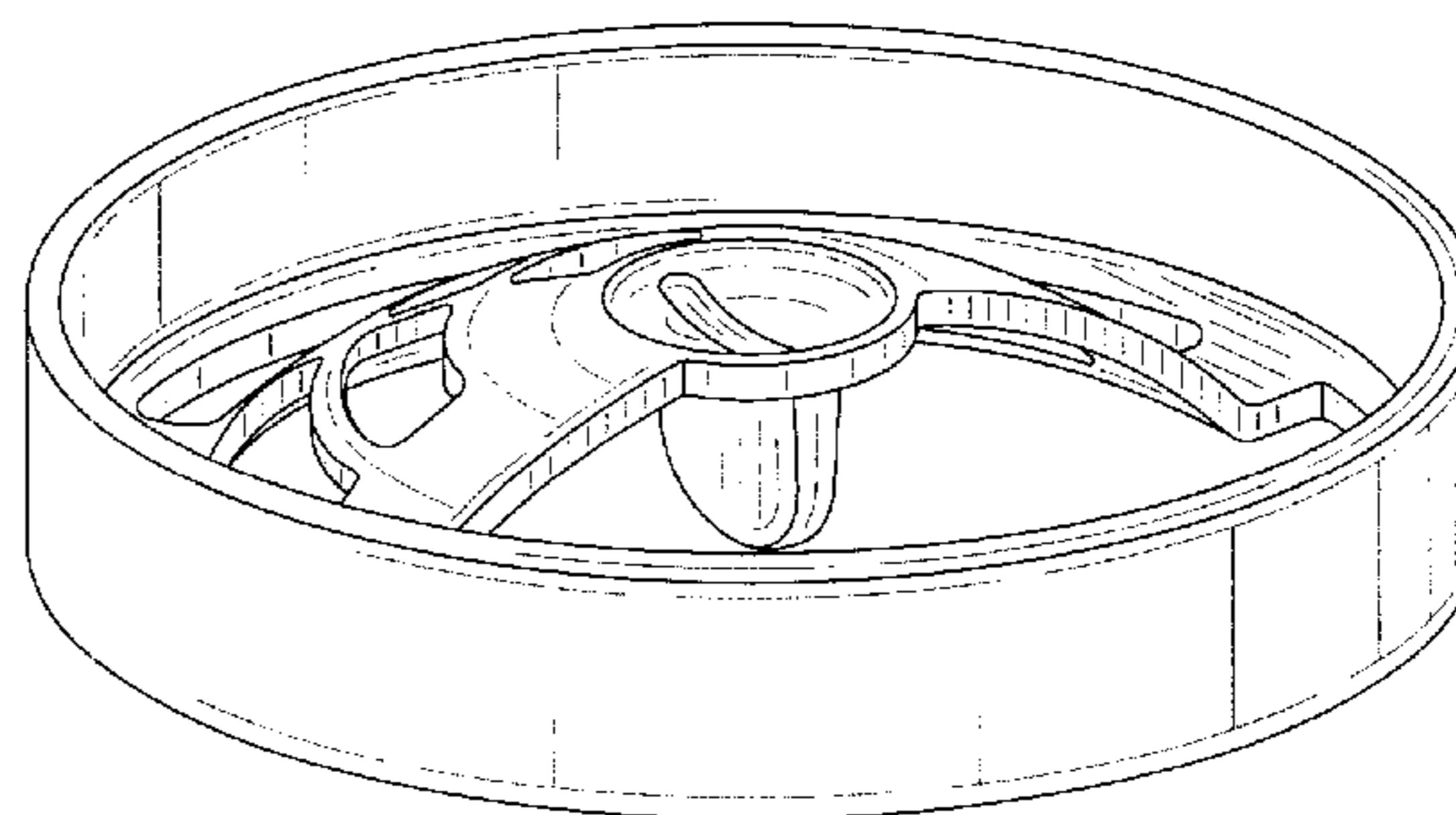
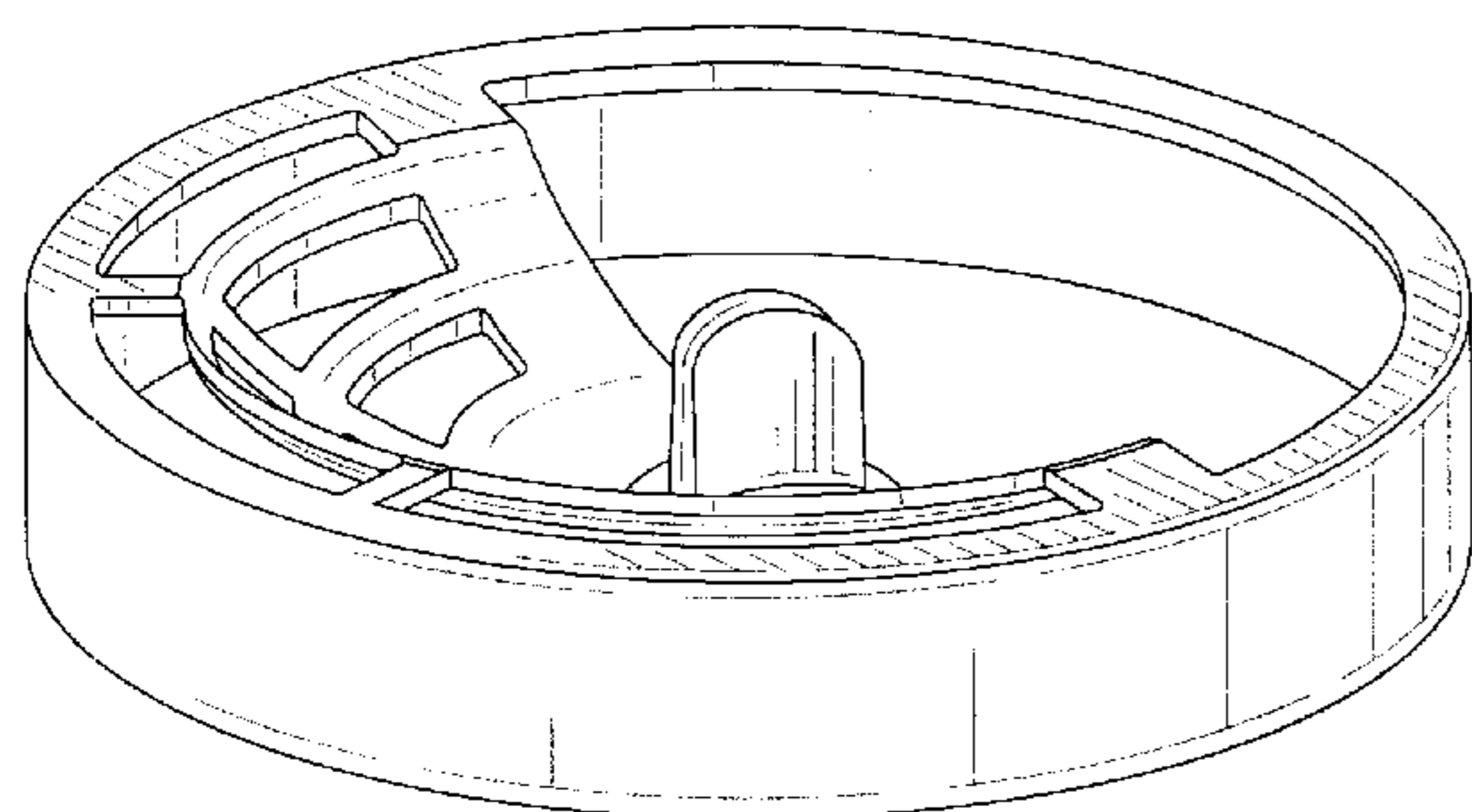
FIG. 2 is a bottom perspective view thereof;

FIG. 3 is front elevation view, the rear, left side and right side elevations being identical thereto;

FIG. 4 is a top plan view thereof; and,

FIG. 5 is a bottom plan view thereof.

1 Claim, 2 Drawing Sheets



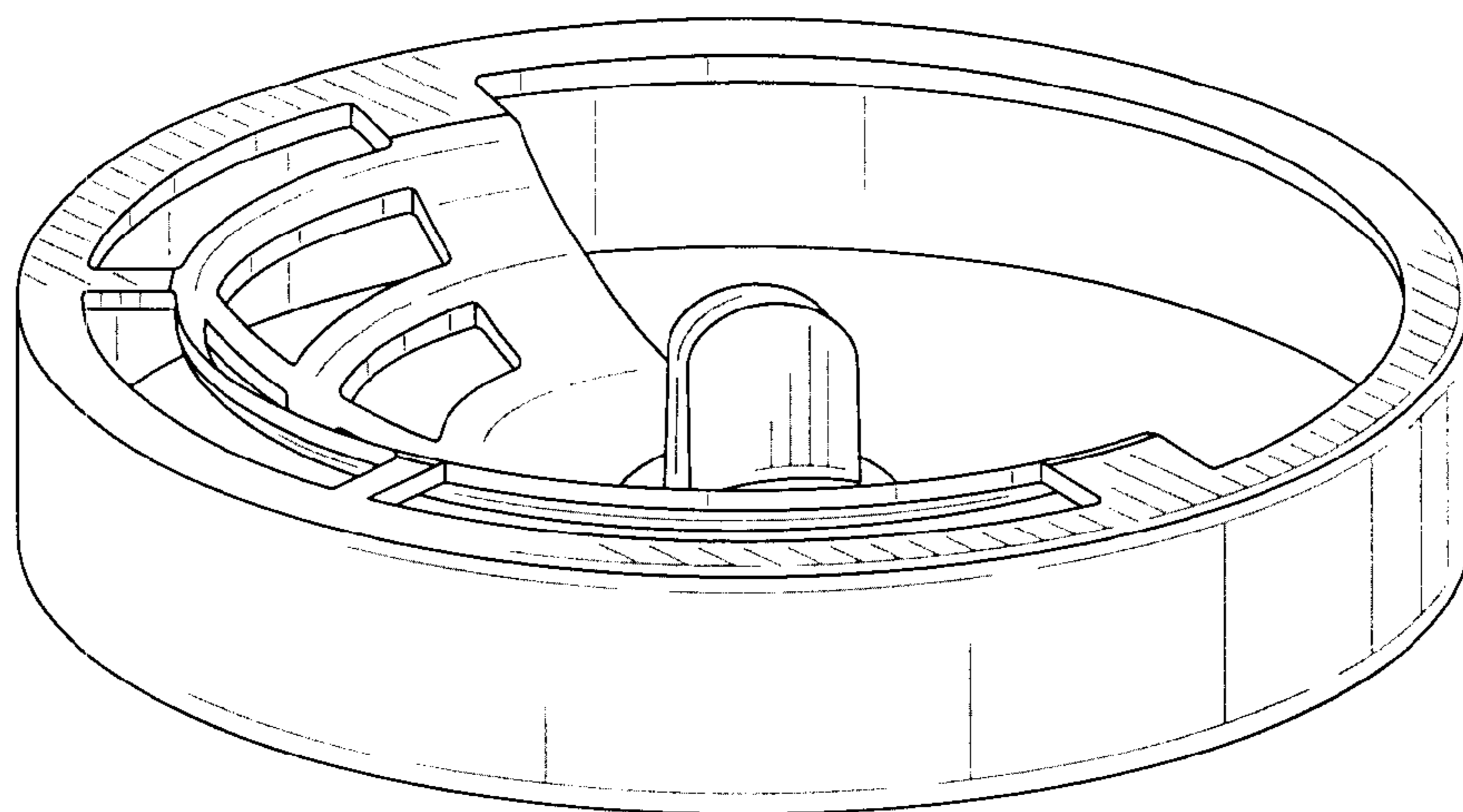


FIG. 1

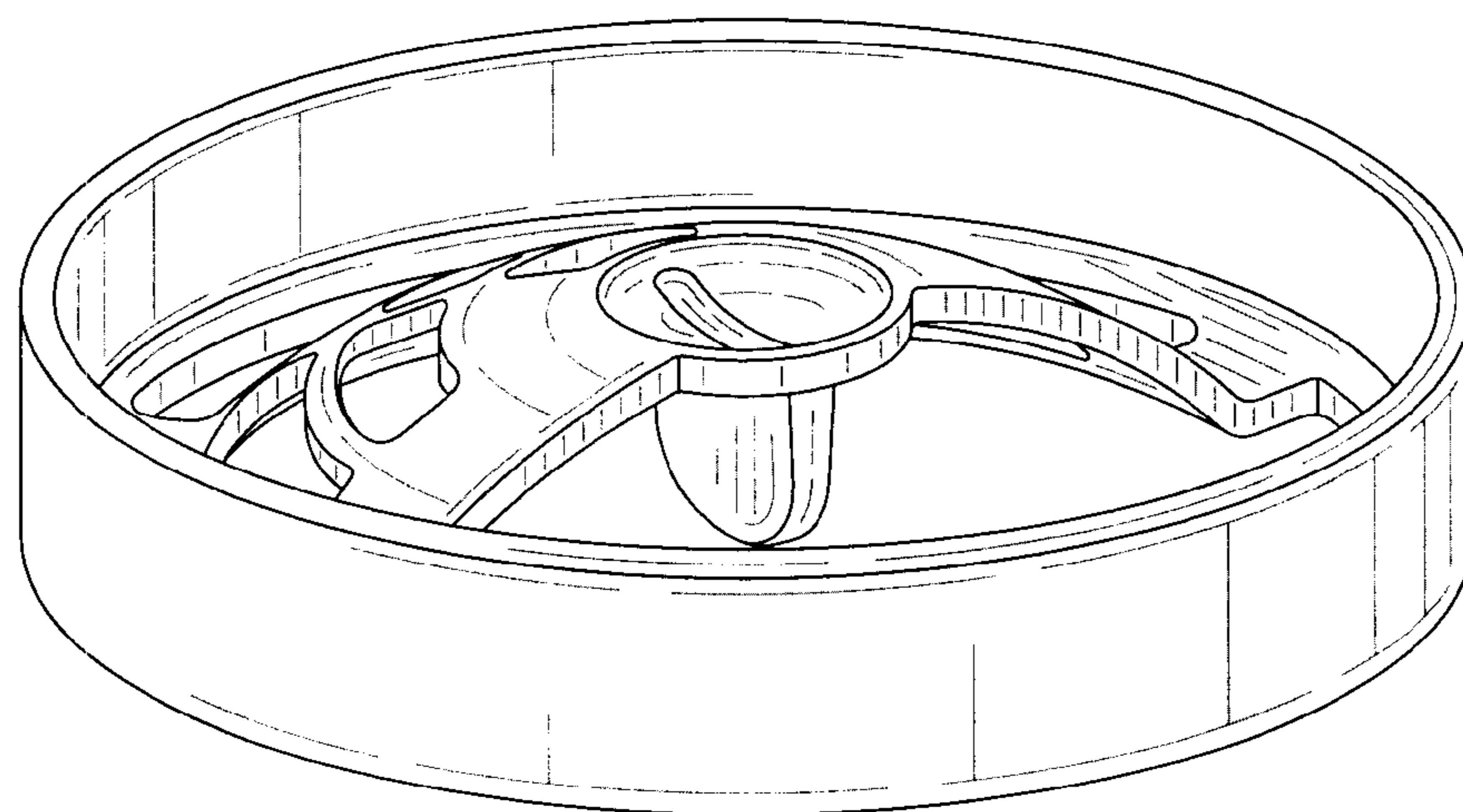


FIG. 2

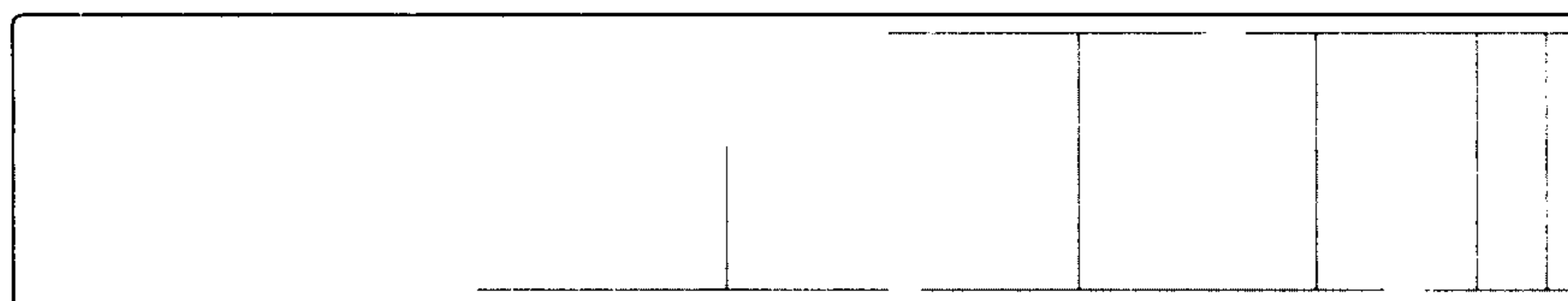


FIG. 3

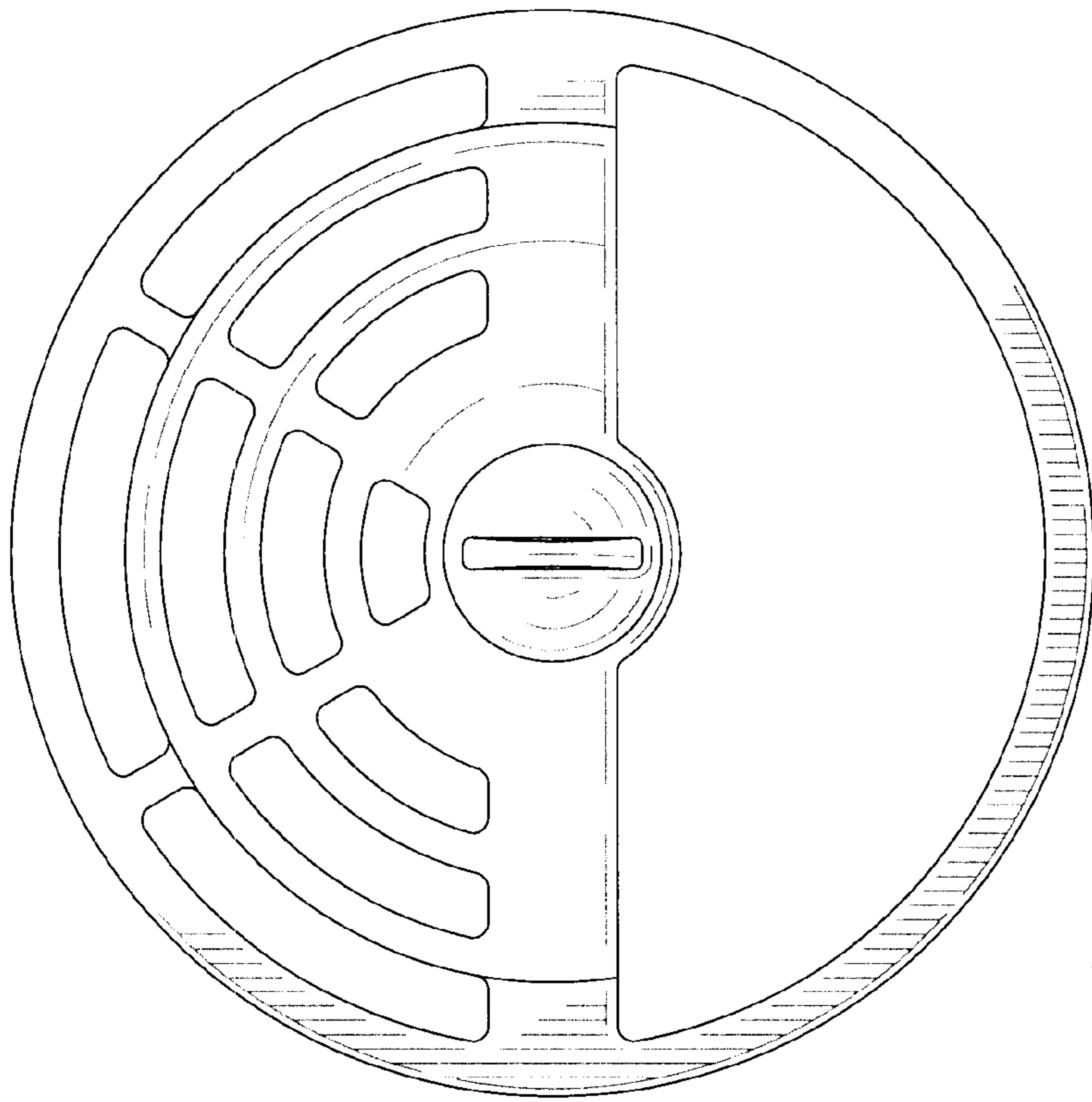


FIG. 4

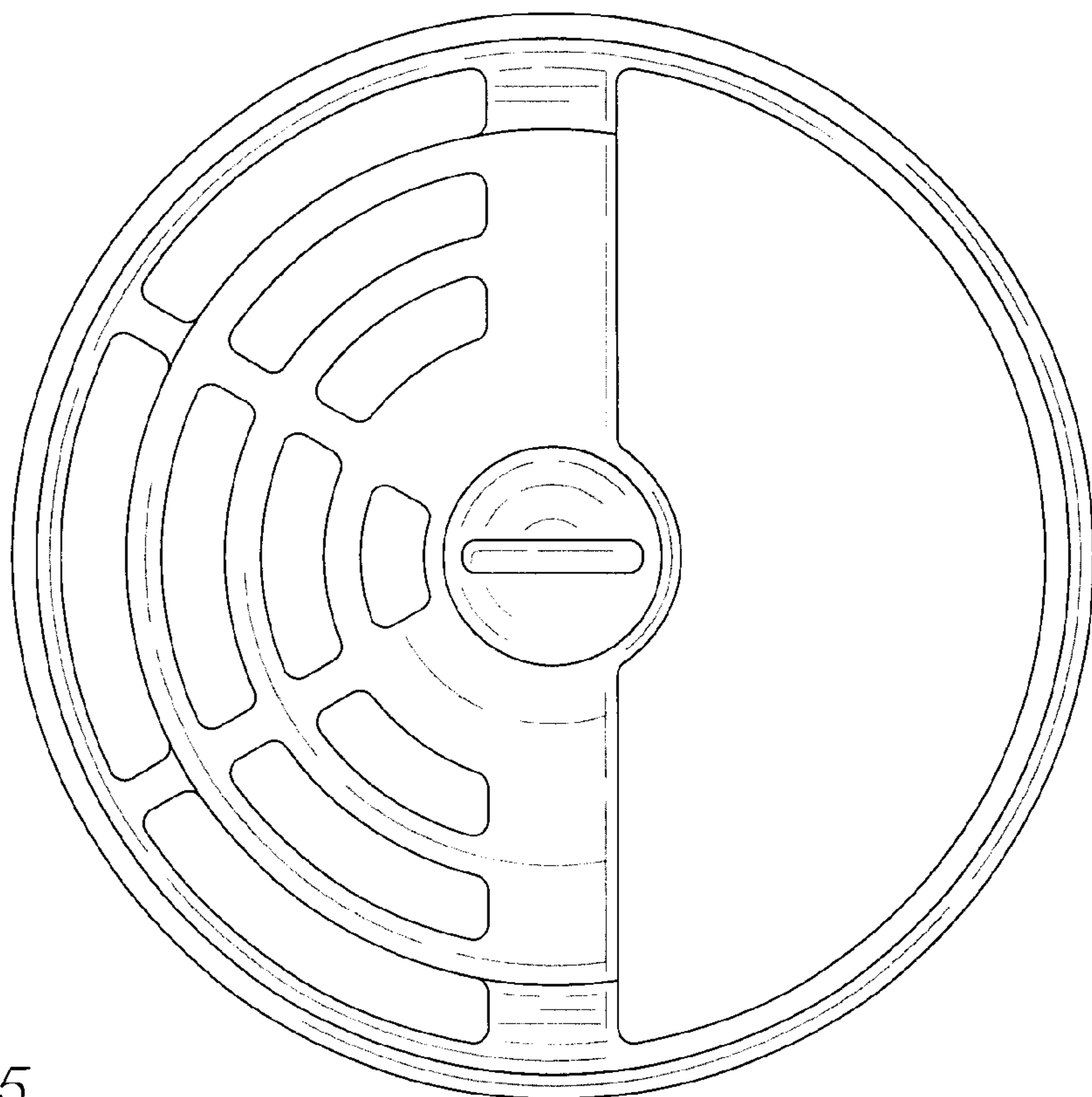


FIG. 5