



US00D534390S

(12) **United States Design Patent**  
**De'Longhi**

(10) **Patent No.:** **US D534,390 S**

(45) **Date of Patent:** **\*\* Jan. 2, 2007**

(54) **INSULATED CONTAINER**

(75) **Inventor:** **Giuseppe De'Longhi, Treviso (IT)**

(73) **Assignee:** **De 'Longhi S.p.A., Treviso (IT)**

(\*\*) **Term:** **14 Years**

(21) **Appl. No.:** **29/244,941**

(22) **Filed:** **Dec. 15, 2005**

(30) **Foreign Application Priority Data**

Jun. 17, 2005 (EM) ..... 000361415

(51) **LOC (8) Cl.** ..... **07-01**

(52) **U.S. Cl.** ..... **D7/318; D7/608**

(58) **Field of Classification Search** ..... D7/316-321,  
D7/605-608; 222/465.1, 466, 475.1, 570;  
62/457.1-457.9; 215/12.1, 12.2, 13.1, 356;  
99/317-323; 220/753, 592.01, 592.16, 592.18,  
220/592.22, 592.23, 592.27

See application file for complete search history.

(56) **References Cited**

U.S. PATENT DOCUMENTS

D213,577 S	*	3/1969	Douglas	.....	D7/317
D223,465 S	*	4/1972	De Puy	.....	D7/317
4,768,664 A	*	9/1988	Zimmermann	.....	215/12.1
D394,982 S	*	6/1998	Huang	.....	D7/319
D420,545 S	*	2/2000	Huang	.....	D7/318

\* cited by examiner

*Primary Examiner*—Terry A. Wallace

(74) *Attorney, Agent, or Firm*—Andrew Wilford

(57) **CLAIM**

The ornamental design for an insulated container, as shown and described.

**DESCRIPTION**

FIG. 1 is a right side elevational view of an insulated container showing my new design, the left side elevational view being mirror symmetrical thereto; FIG. 2 is a rear elevational view thereof; and, FIG. 3 is a top plan view thereof.

**1 Claim, 3 Drawing Sheets**

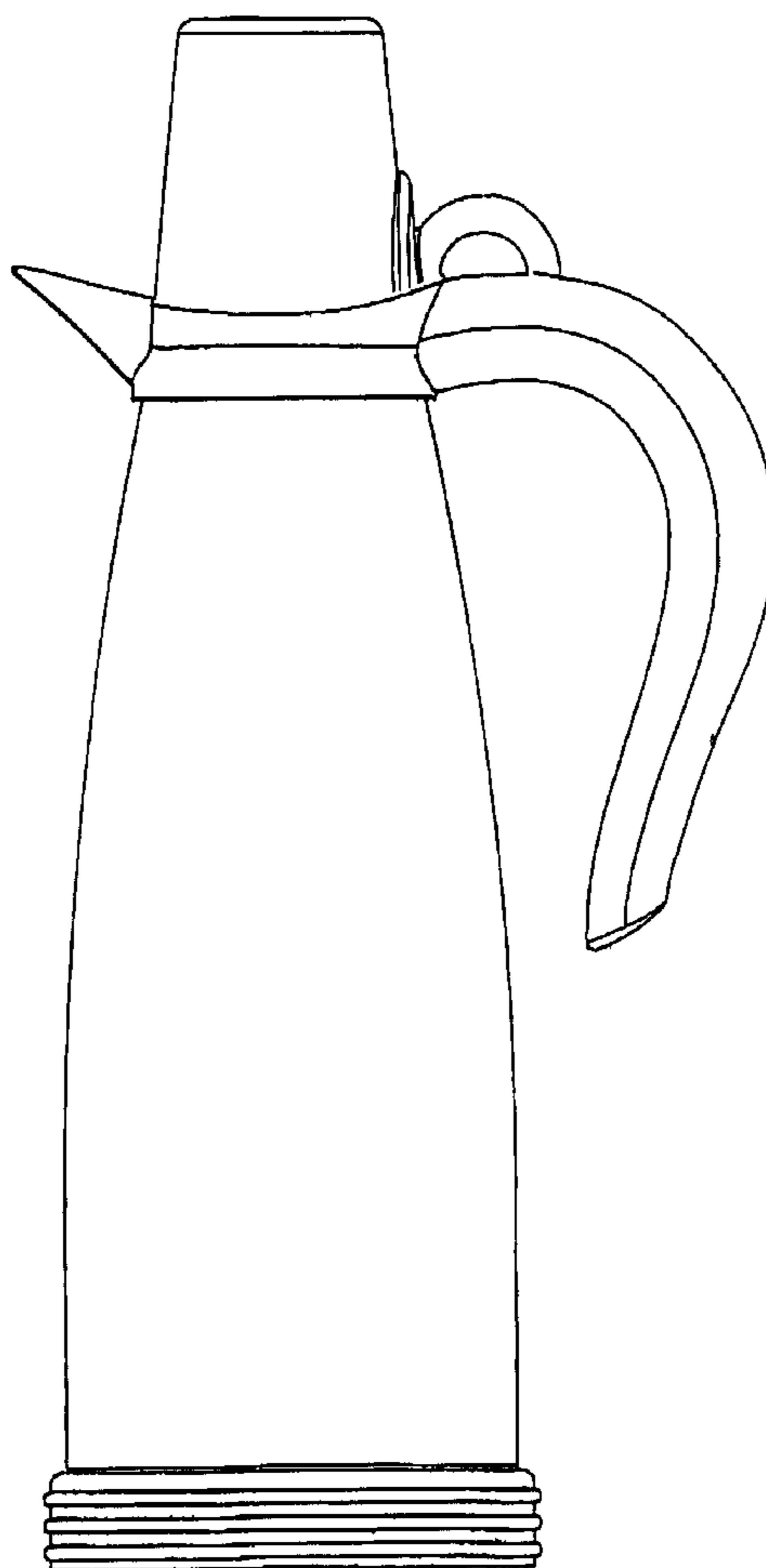




FIG. 1

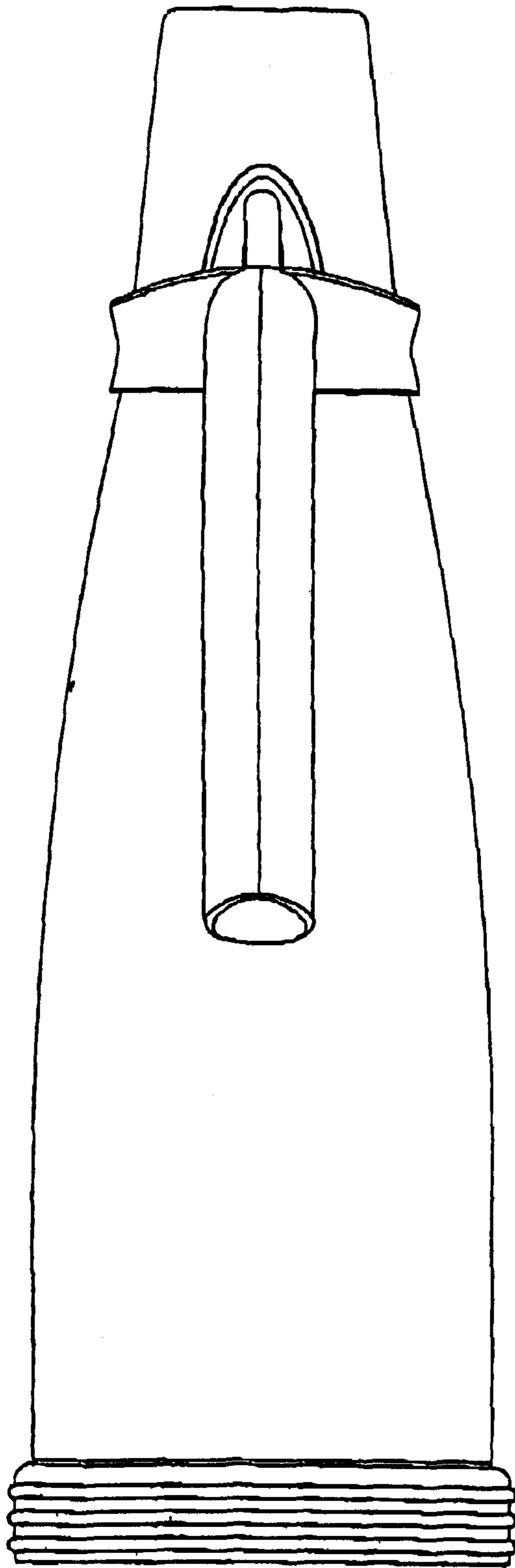


FIG. 2

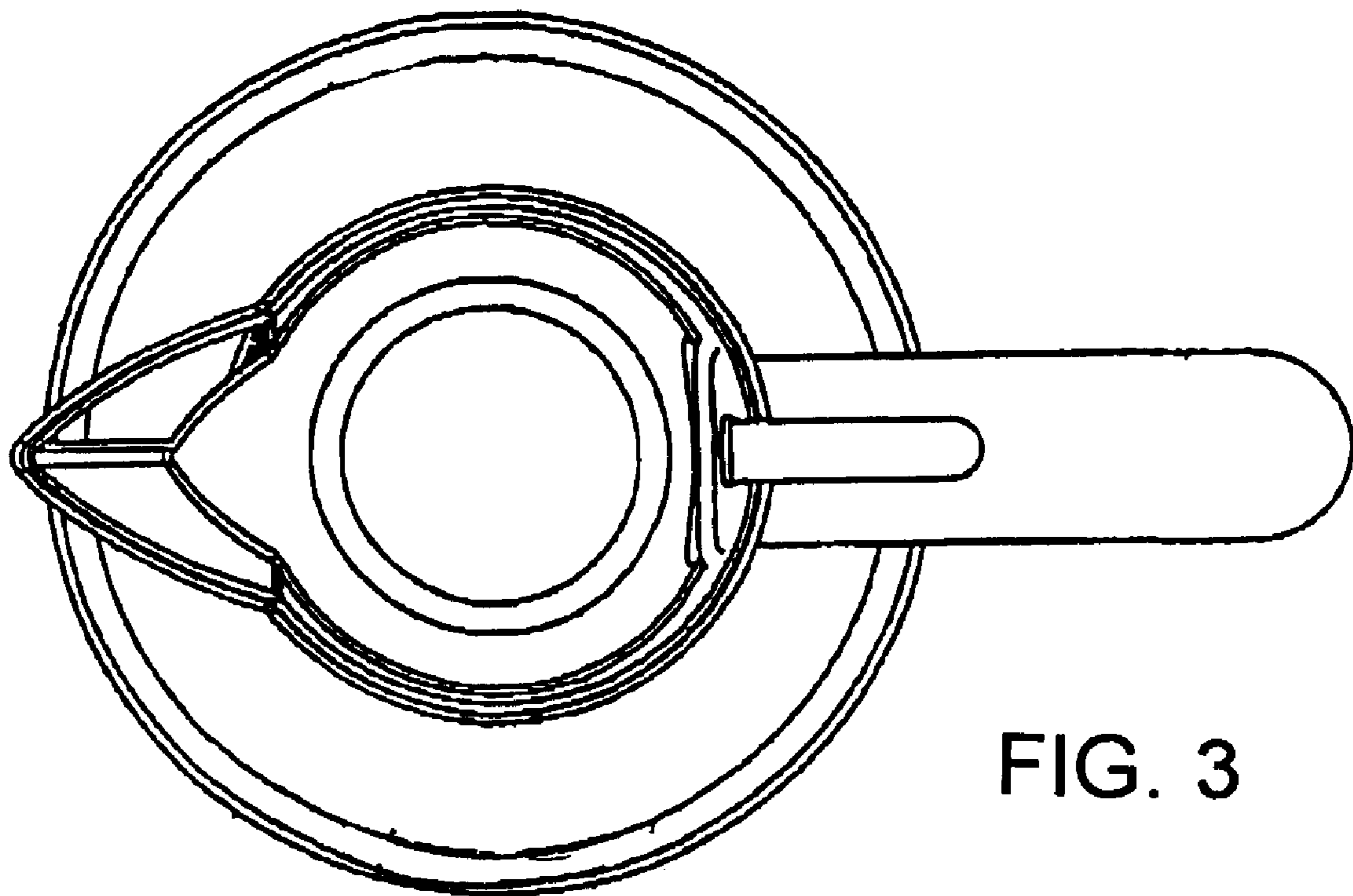


FIG. 3