

US00D534386S

(12) **United States Design Patent**
Warriner

(10) **Patent No.:** **US D534,386 S**

(45) **Date of Patent:** **** Jan. 2, 2007**

(54) **CONFERENCE TABLE TOP**

(76) **Inventor:** **Gerald E. Warriner**, 9037-H York La.,
Melbourne, FL (US) 32904

(**) **Term:** **14 Years**

(21) **Appl. No.:** **29/245,622**

(22) **Filed:** **Mar. 13, 2006**

(51) **LOC (8) Cl.** **06-06**

(52) **U.S. Cl.** **D6/511**

(58) **Field of Classification Search** D6/480-489,
D6/495-499, 511; 108/153.1, 155, 156, 161,
108/50.01, 50.02; 248/188, 188.1
See application file for complete search history.

(56) **References Cited**

U.S. PATENT DOCUMENTS

D202,046 S	*	8/1965	Zierhut	D6/429
D339,487 S	*	9/1993	Rizzi	D6/486
D341,278 S	*	11/1993	Peterson	D6/480
D401,086 S	*	11/1998	Hellwig et al.	D6/482
D463,167 S	*	9/2002	Goodworth	D6/486
D519,746 S	*	5/2006	Ng et al.	D6/397

OTHER PUBLICATIONS

Brisk Desk Systems, triangular arched table top at lower right.*

* cited by examiner

Primary Examiner—Janice E. Seeger

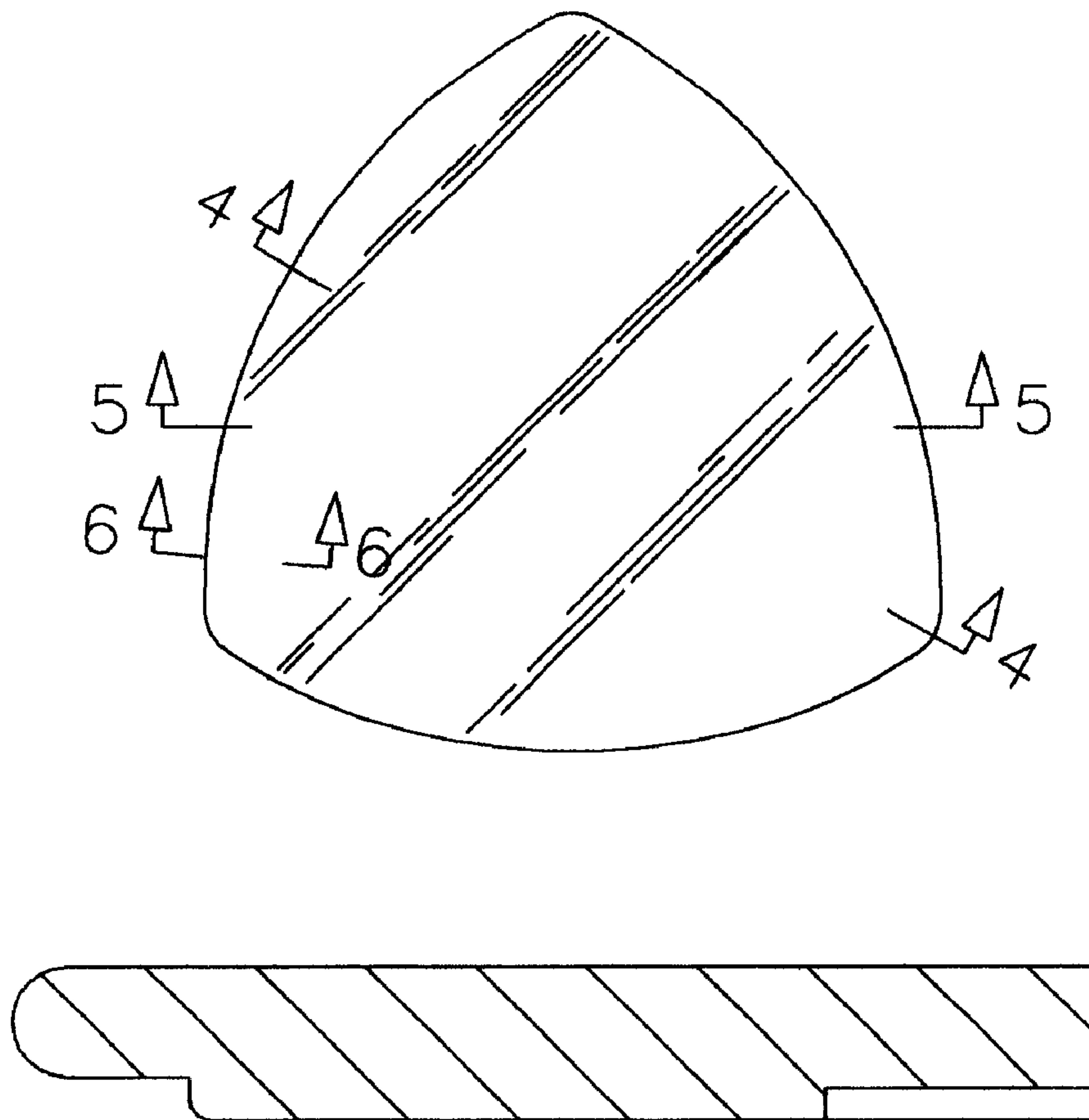
(57) **CLAIM**

The ornamental design for a conference table top, as shown and described.

DESCRIPTION

FIG. 1 is a plan view from above.
FIG. 2 is a plan view from below.
FIG. 3 is the view from the front.
FIG. 4 is a cross-sectional view taken along line 4—4 in FIG. 2.
FIG. 5 is a cross-sectional view taken along line 5—5 in FIG. 2; and,
FIG. 6 is a partial cross-sectional view taken along line 6—6 in FIG. 2.

1 Claim, 2 Drawing Sheets



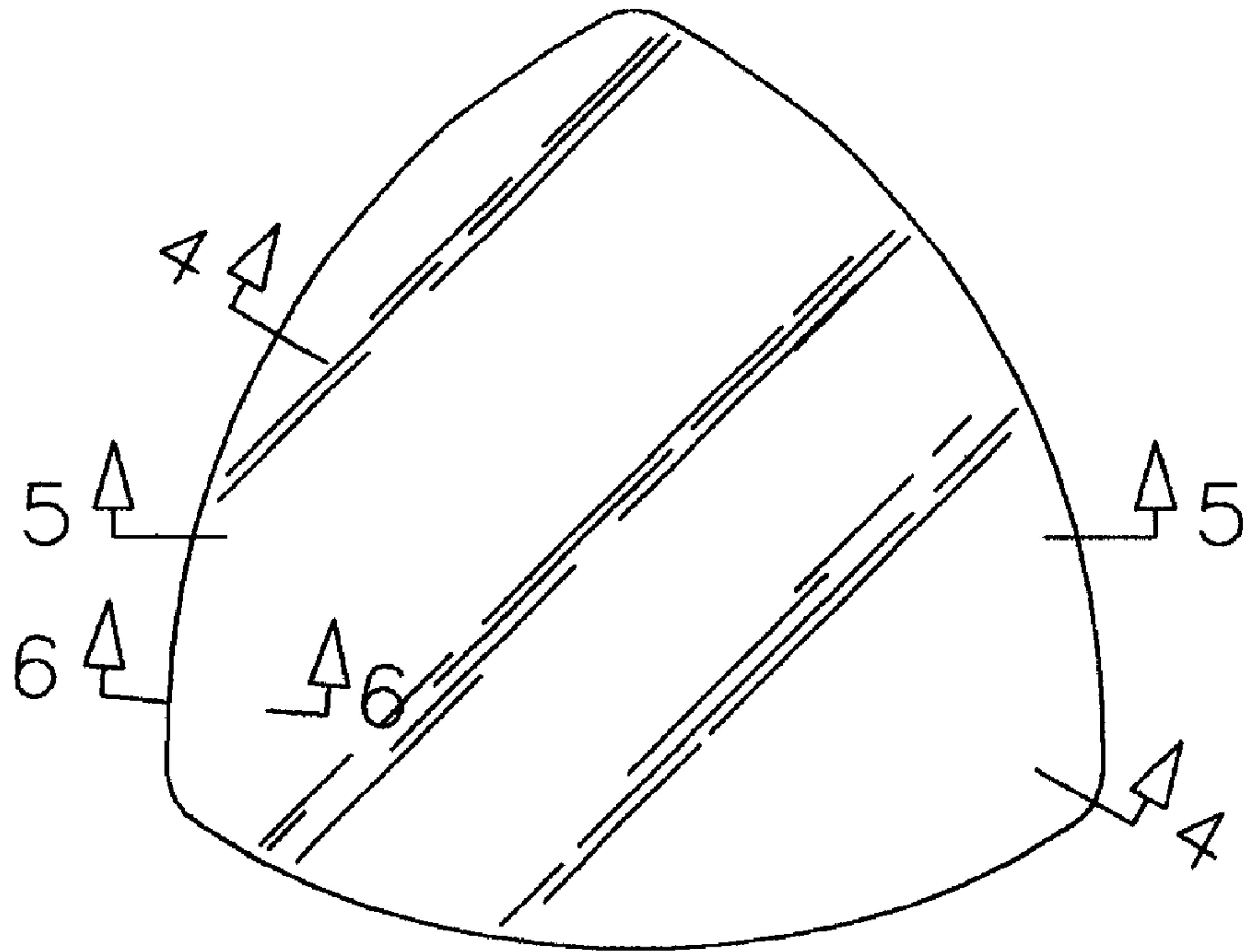


Figure 1

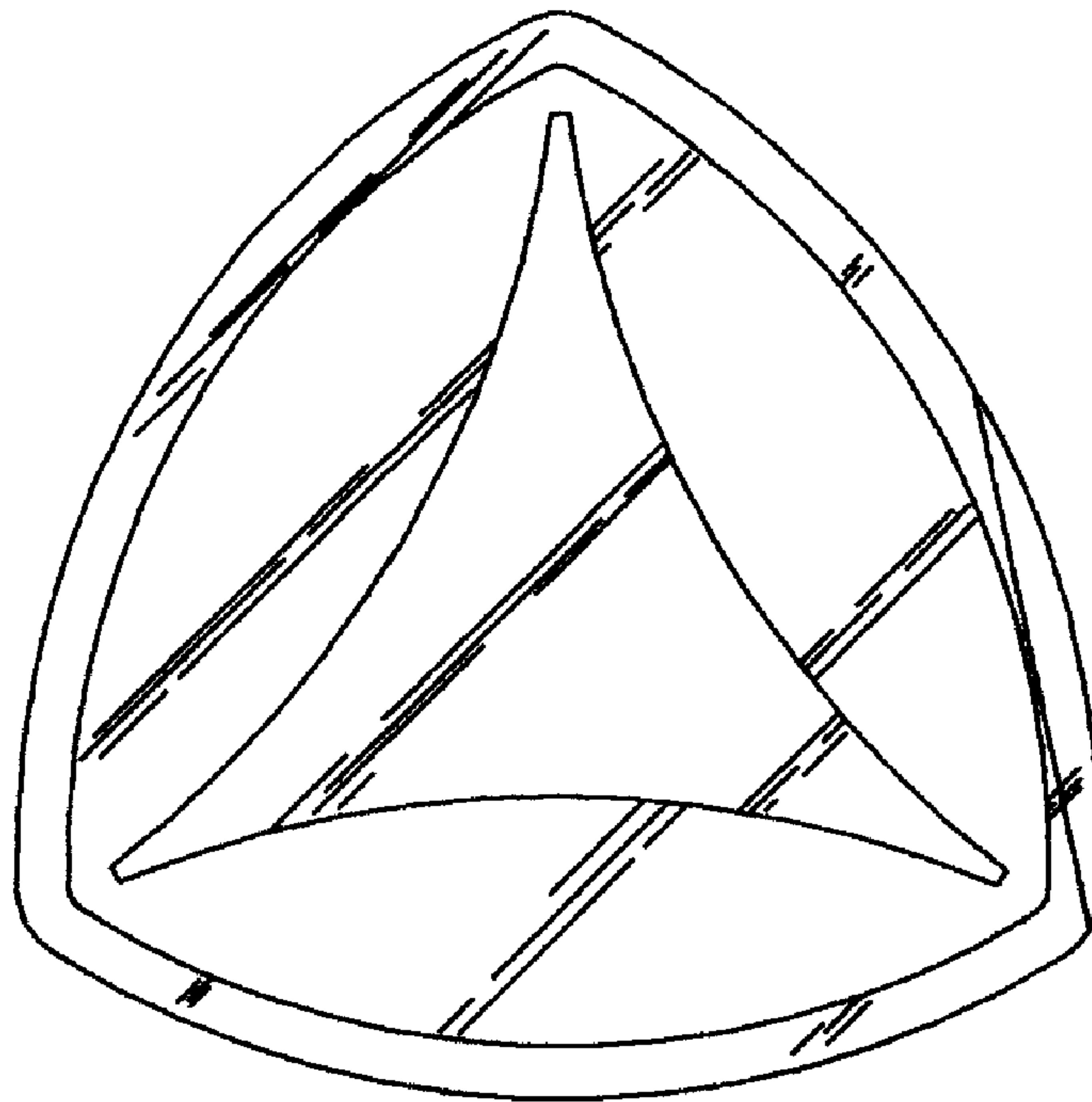


Figure 2

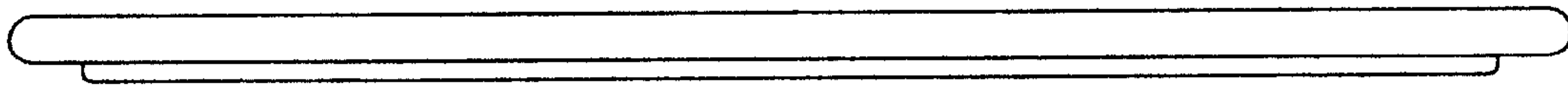


Figure 3



Figure 4



Figure 5

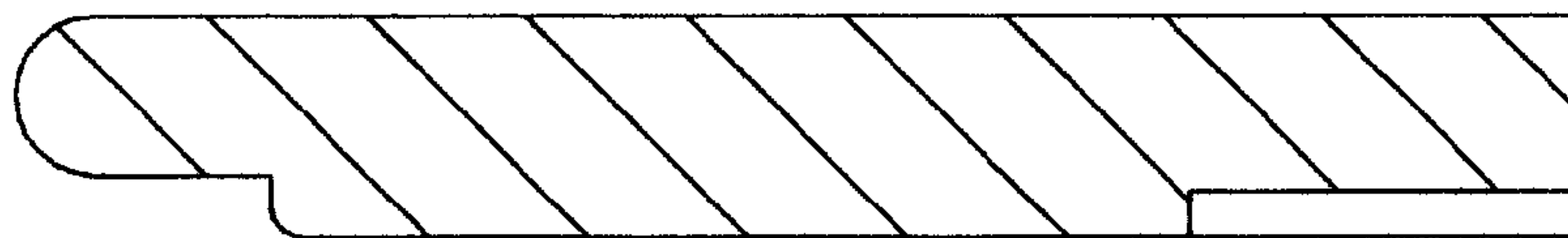


Figure 6