

US00D534385S

(12) **United States Design Patent**
Chu

(10) **Patent No.:** **US D534,385 S**

(45) **Date of Patent:** **** Jan. 2, 2007**

(54) **CHAIR**

(75) **Inventor:** **Zoocy Chia-Tien Chu**, Grand Rapids, MI (US)

(73) **Assignee:** **Global Total Office**, Downsview (CA)

(**) **Term:** **14 Years**

(21) **Appl. No.:** **29/231,837**

(22) **Filed:** **Jun. 10, 2005**

(51) **LOC (8) Cl.** **06-06**

(52) **U.S. Cl.** **D6/502; D6/366**

(58) **Field of Classification Search** D6/334-335,
D6/364, 365, 366, 367, 368, 374, 500-502;
297/411.27, 452.11, 452.19, 452.29, 452.32,
297/452.48

See application file for complete search history.

(56) **References Cited**

U.S. PATENT DOCUMENTS

D247,463 S	*	3/1978	Muller-Deisig	D6/366
D267,989 S	*	2/1983	Buhk et al.	D6/366
D272,205 S	*	1/1984	De Boer	D6/366
D295,925 S	*	5/1988	Uredat-Neuhoff	D6/366
D394,961 S	*	6/1998	Fancelli	D6/366
D446,955 S	*	8/2001	Zemp	D6/366

D455,303 S	*	4/2002	Ooyama	D6/500
D459,903 S	*	7/2002	Lo	D6/366
D463,694 S	*	10/2002	Chu	D6/502
D514,338 S	*	2/2006	Bellin	D6/366
D515,339 S	*	2/2006	Egger	D6/500
7,008,022 B1	*	3/2006	Cassaday	297/463.1
D518,983 S	*	4/2006	Chu	D6/500

* cited by examiner

Primary Examiner—Mimosa De

(74) *Attorney, Agent, or Firm*—Swernofsky Law Group PC

(57) **CLAIM**

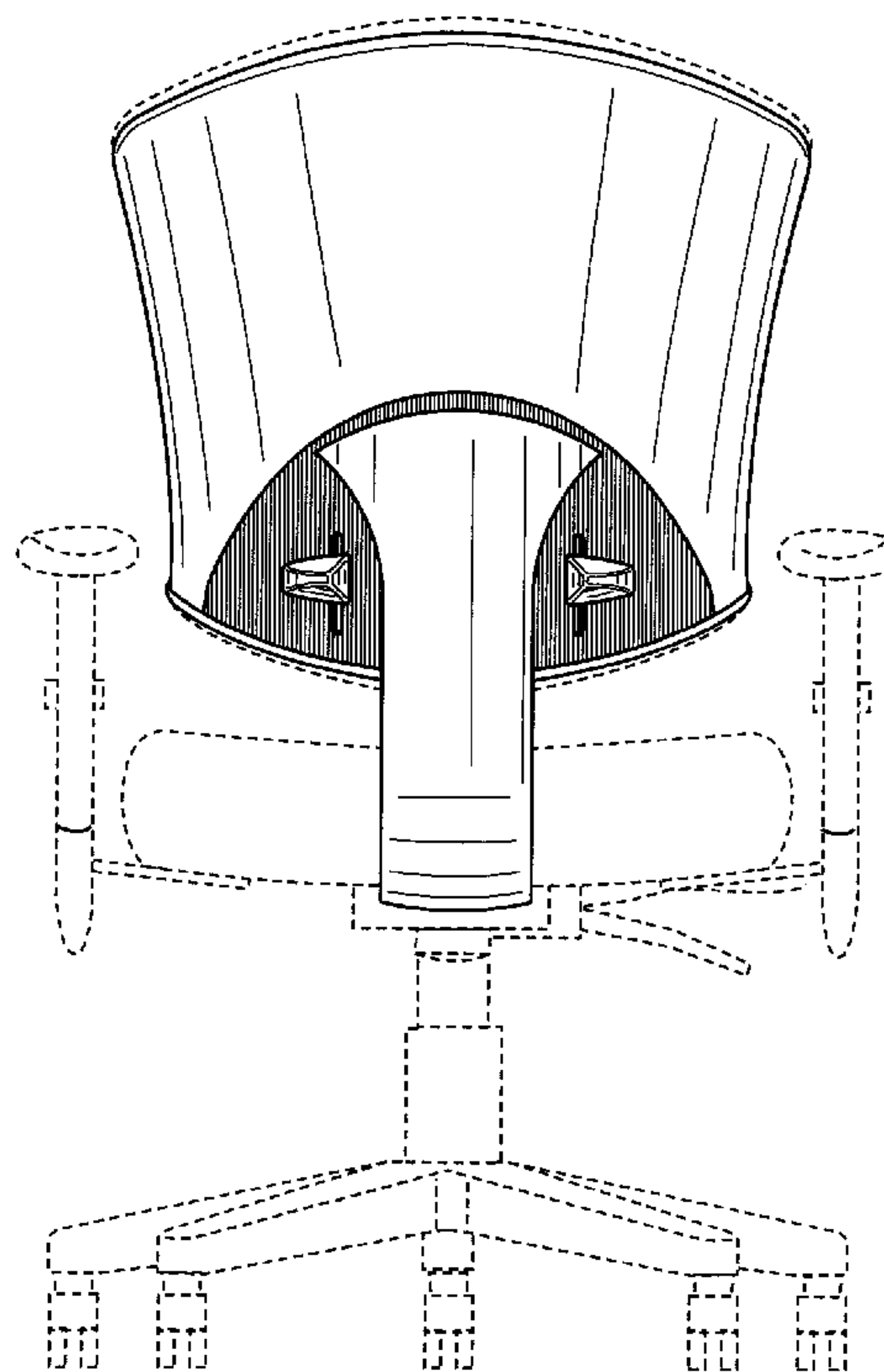
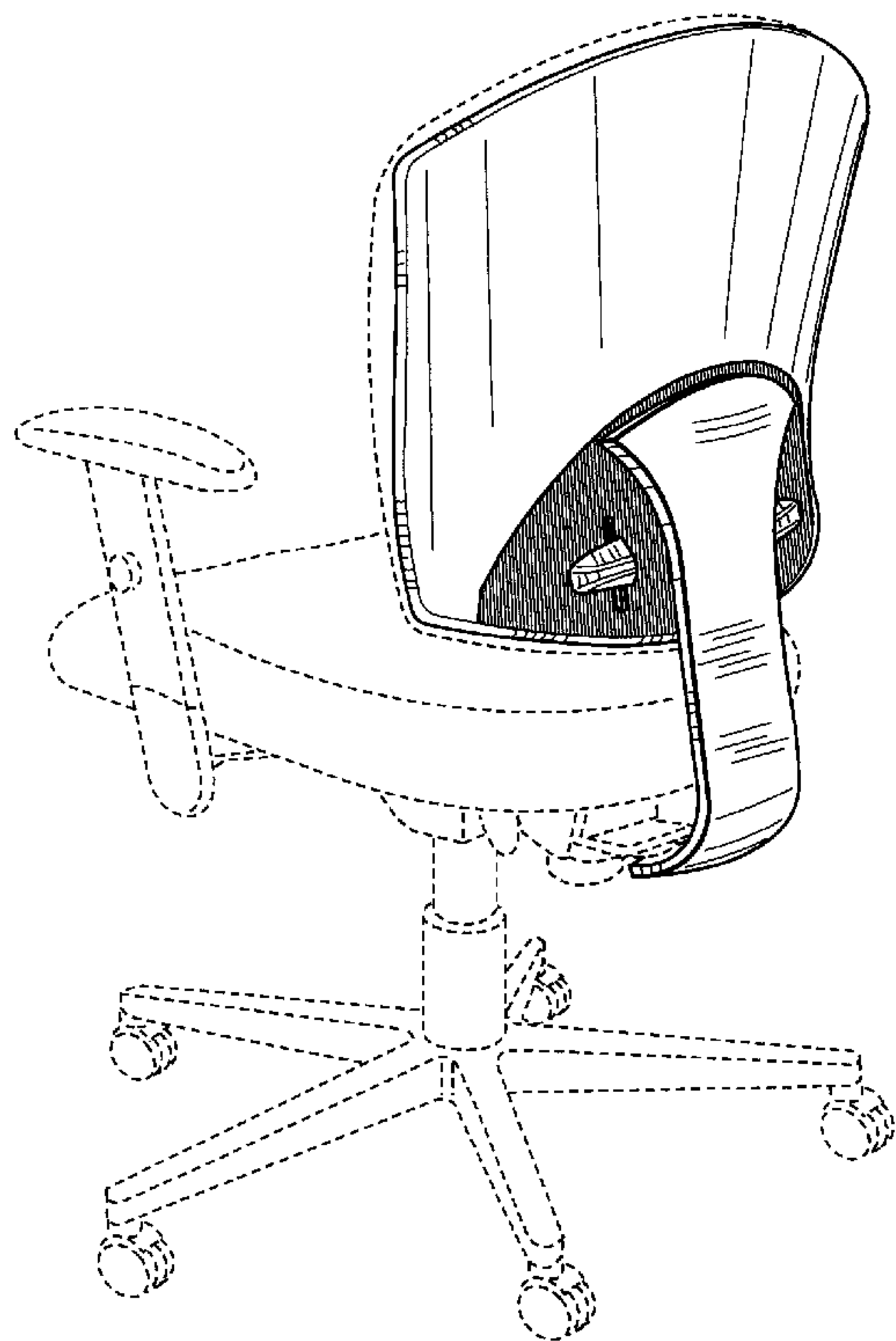
The ornamental design for a chair, as shown and described.

DESCRIPTION

FIG. 1 is a front perspective view of the design;
 FIG. 2 is a rear perspective view of the design;
 FIG. 3 is a right side elevation view thereof;
 FIG. 4 is a rear elevation view thereof;
 FIG. 5 is a front elevation view thereof;
 FIG. 6 is a left side elevation view thereof;
 FIG. 7 is a top plan view thereof; and,
 FIG. 8 is a bottom plan view thereof.

The portions of the chair shown in broken lines are provided for illustration purposes only and form no part of the claimed design.

1 Claim, 4 Drawing Sheets



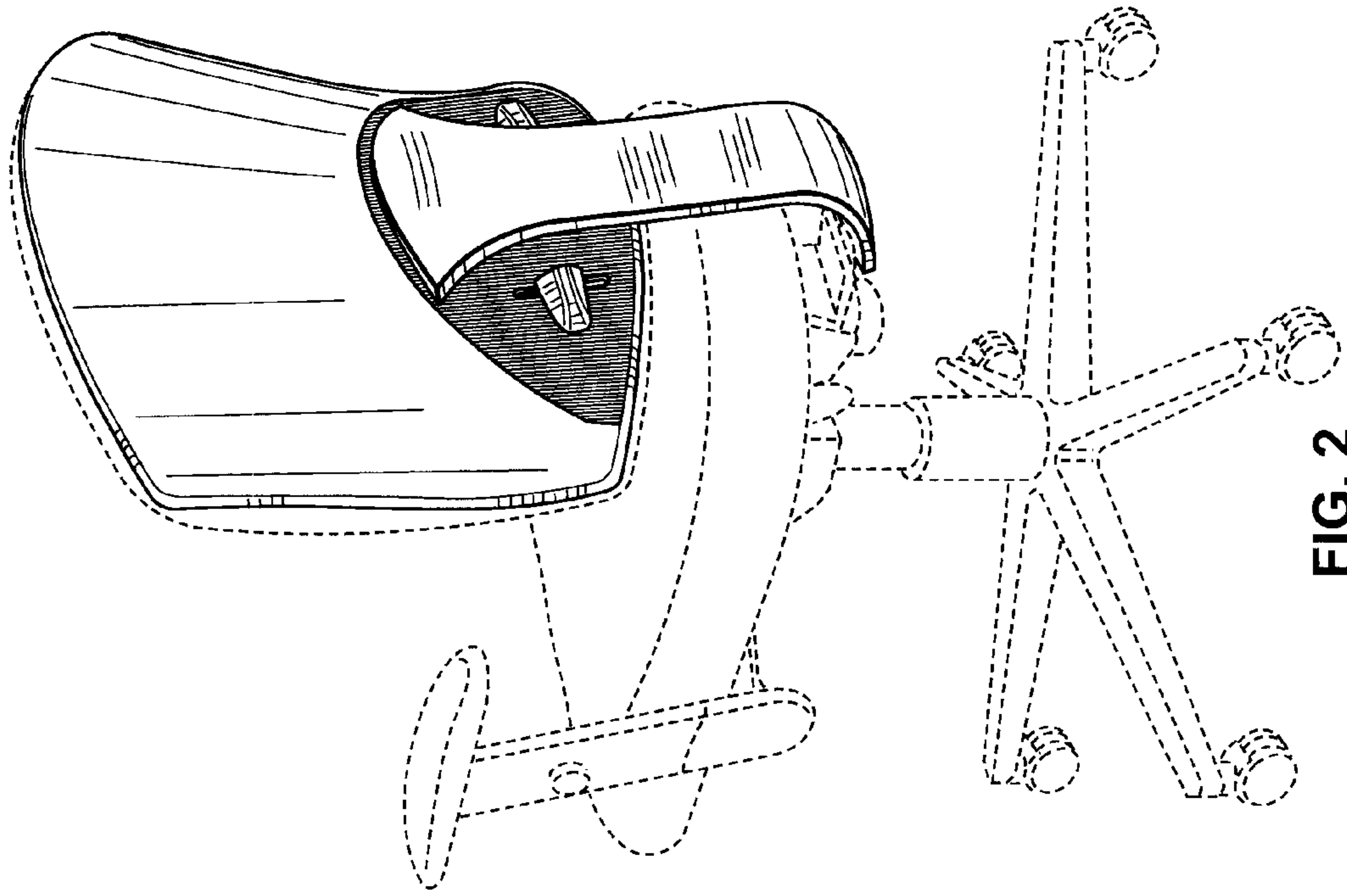


FIG. 2

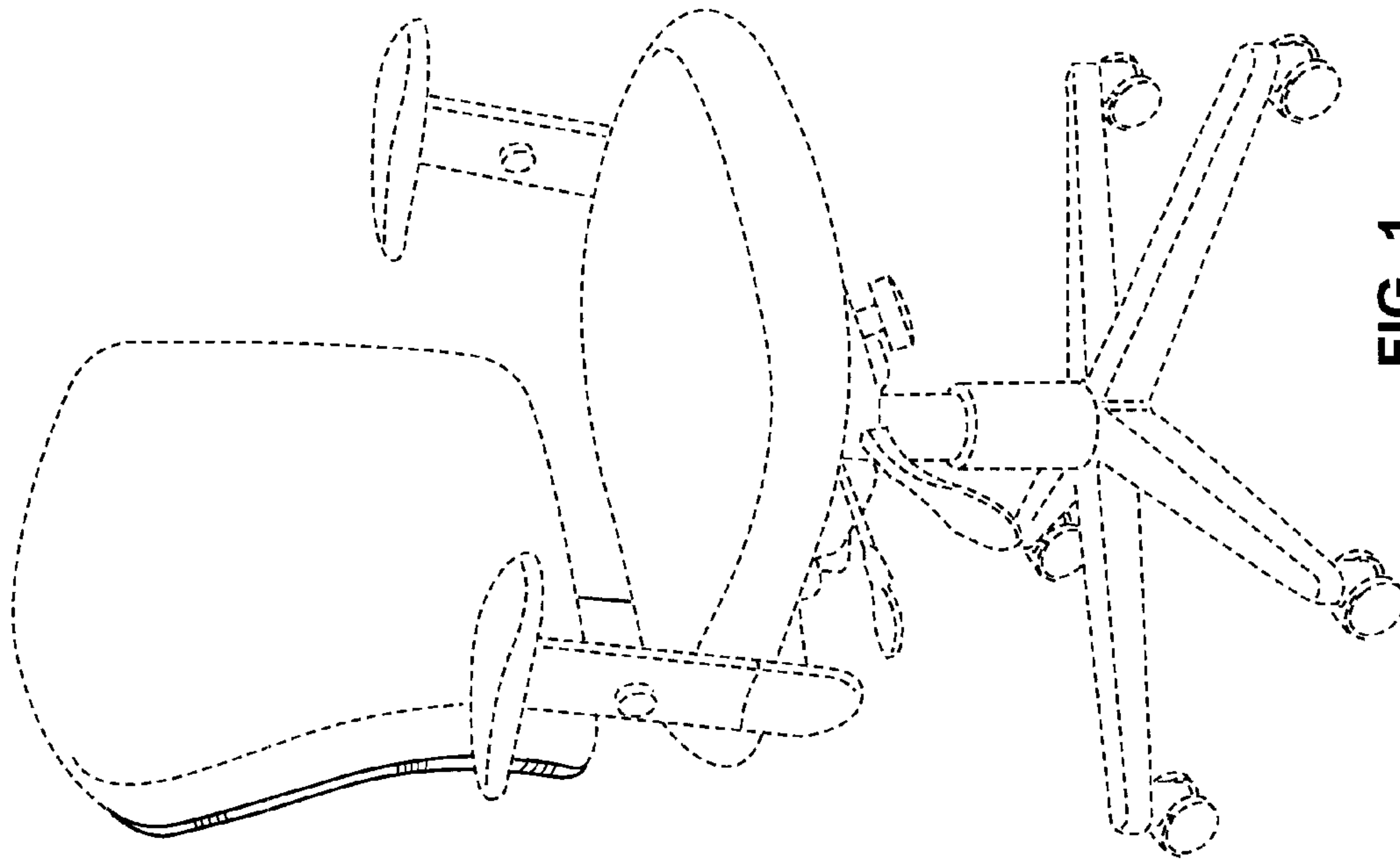
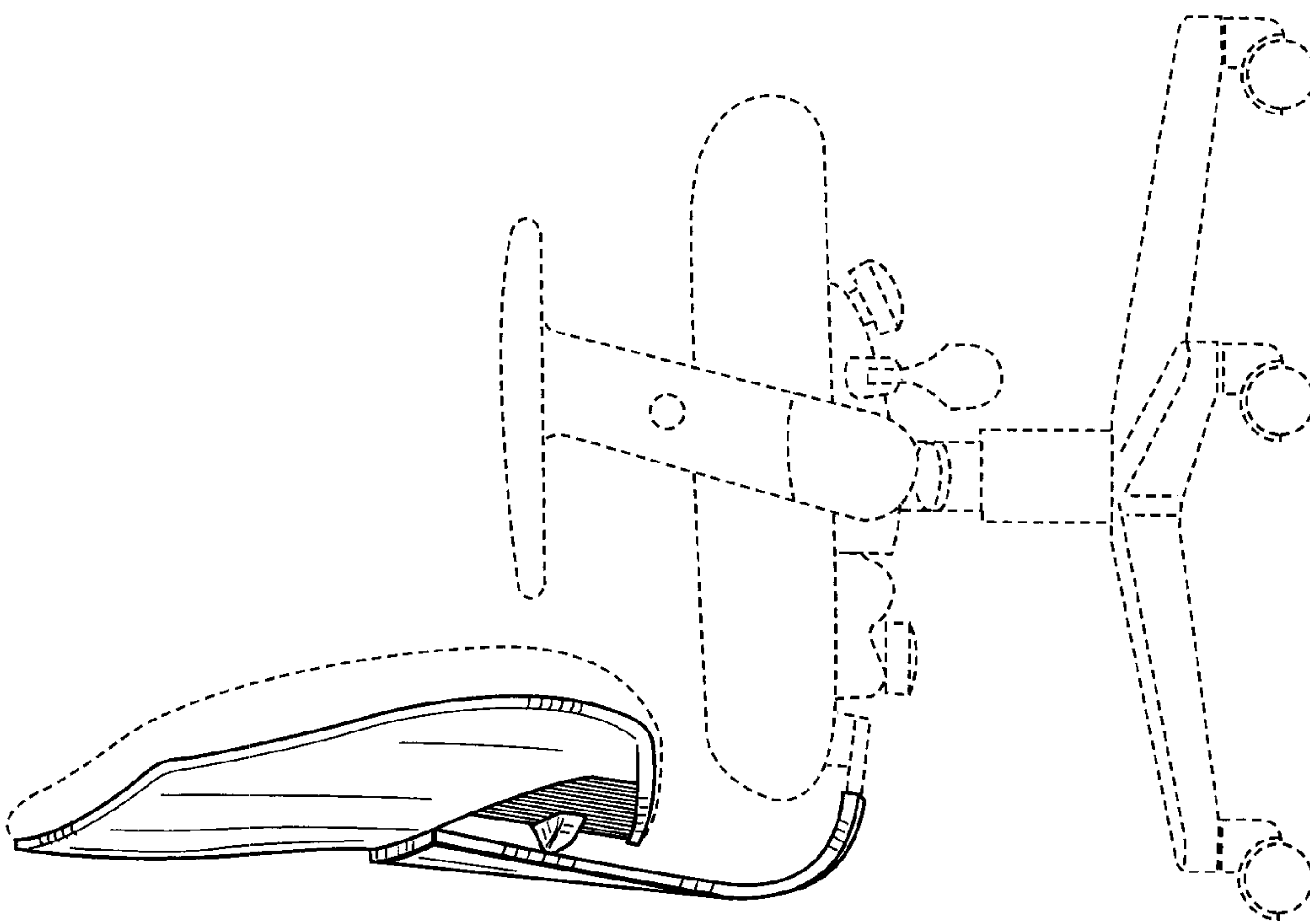
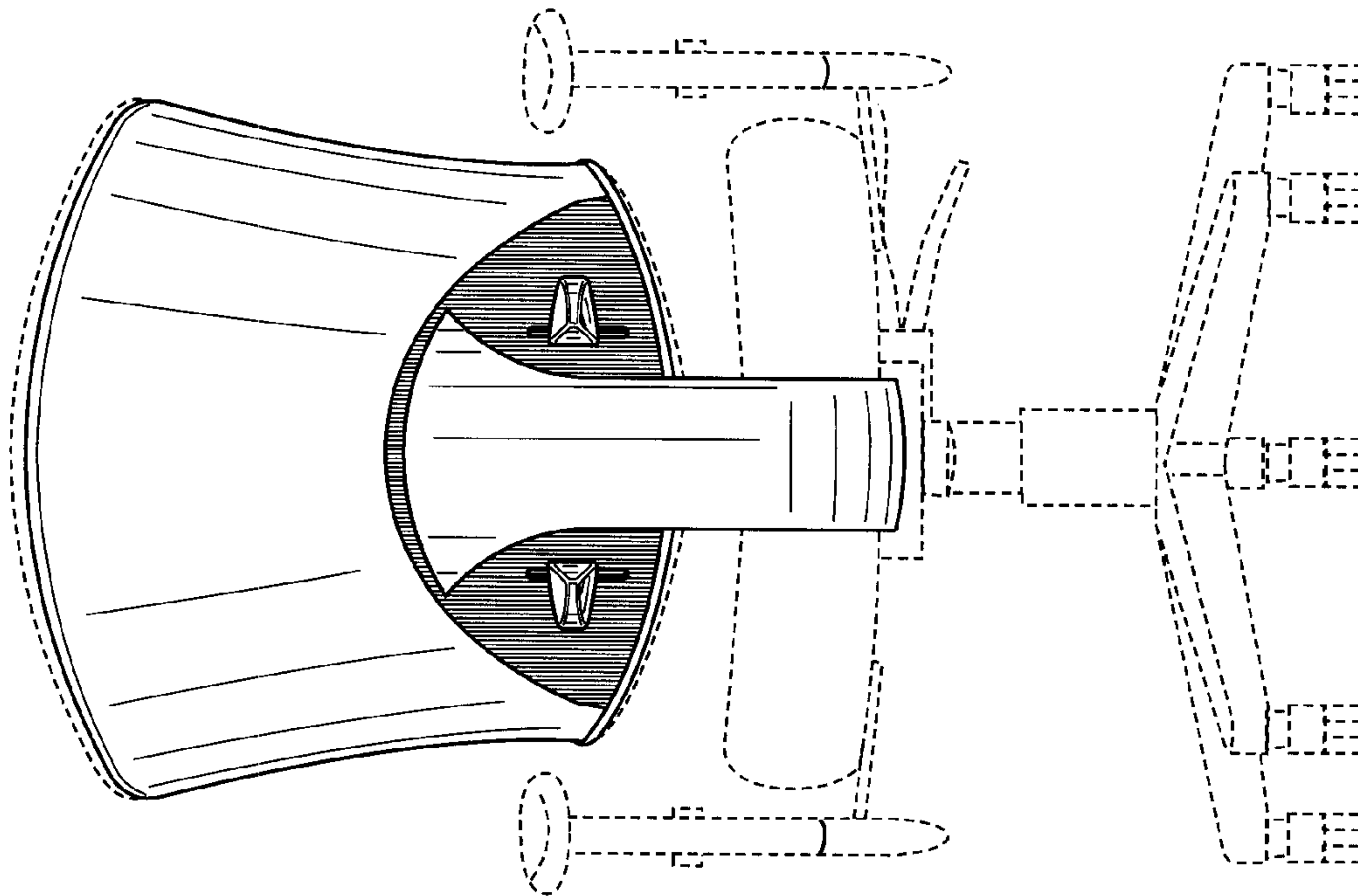


FIG. 1



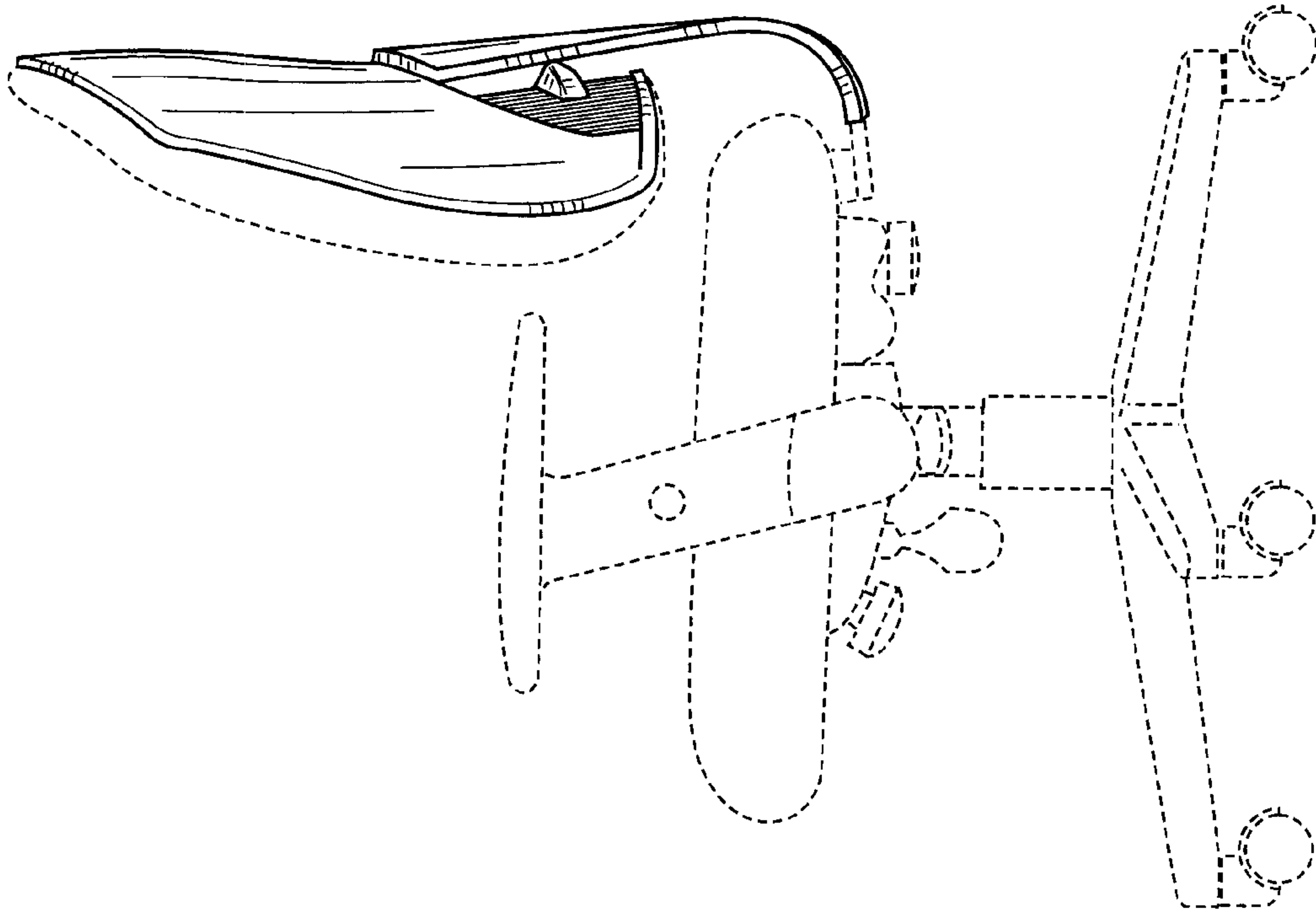


FIG. 6

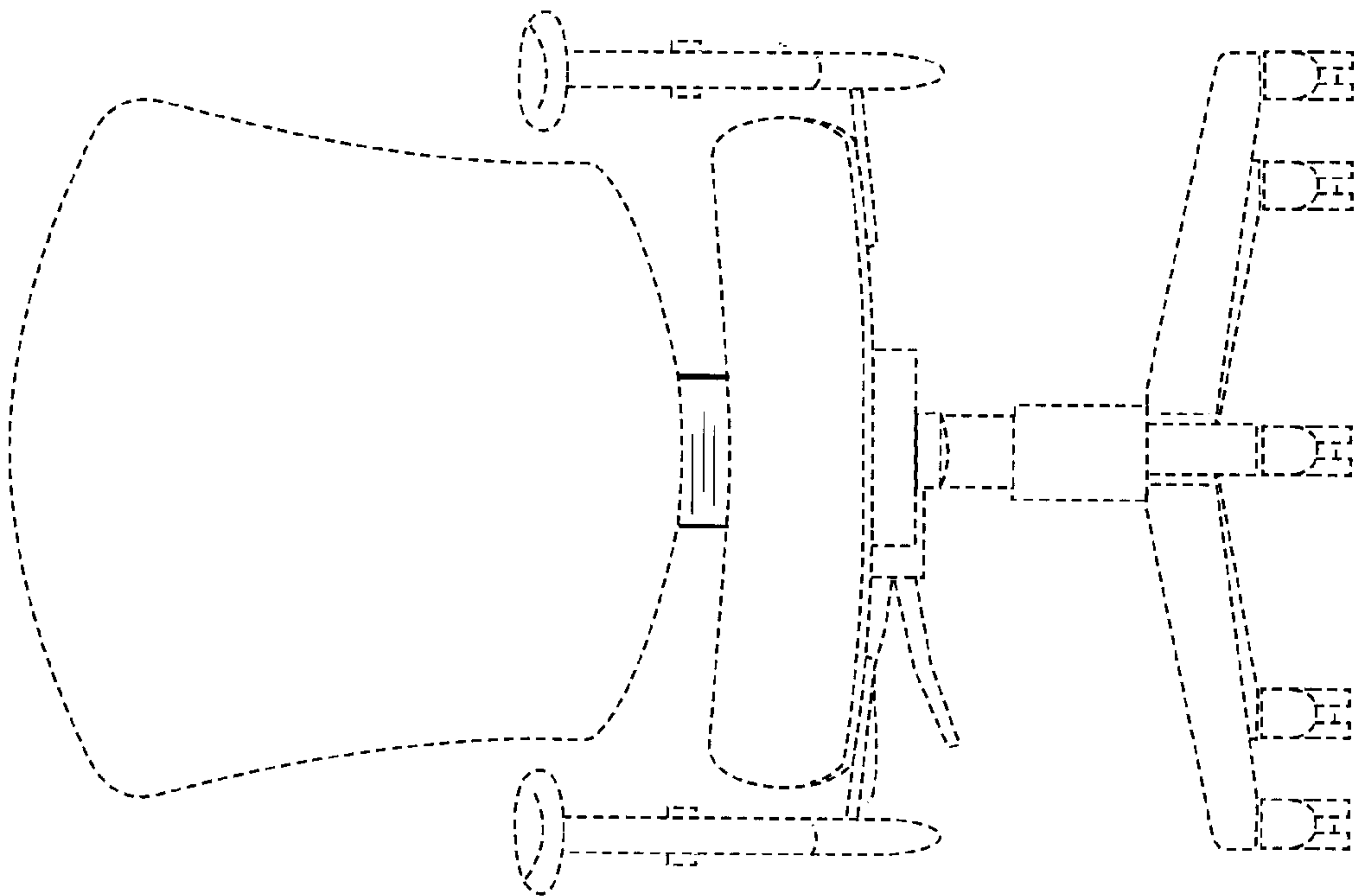


FIG. 5

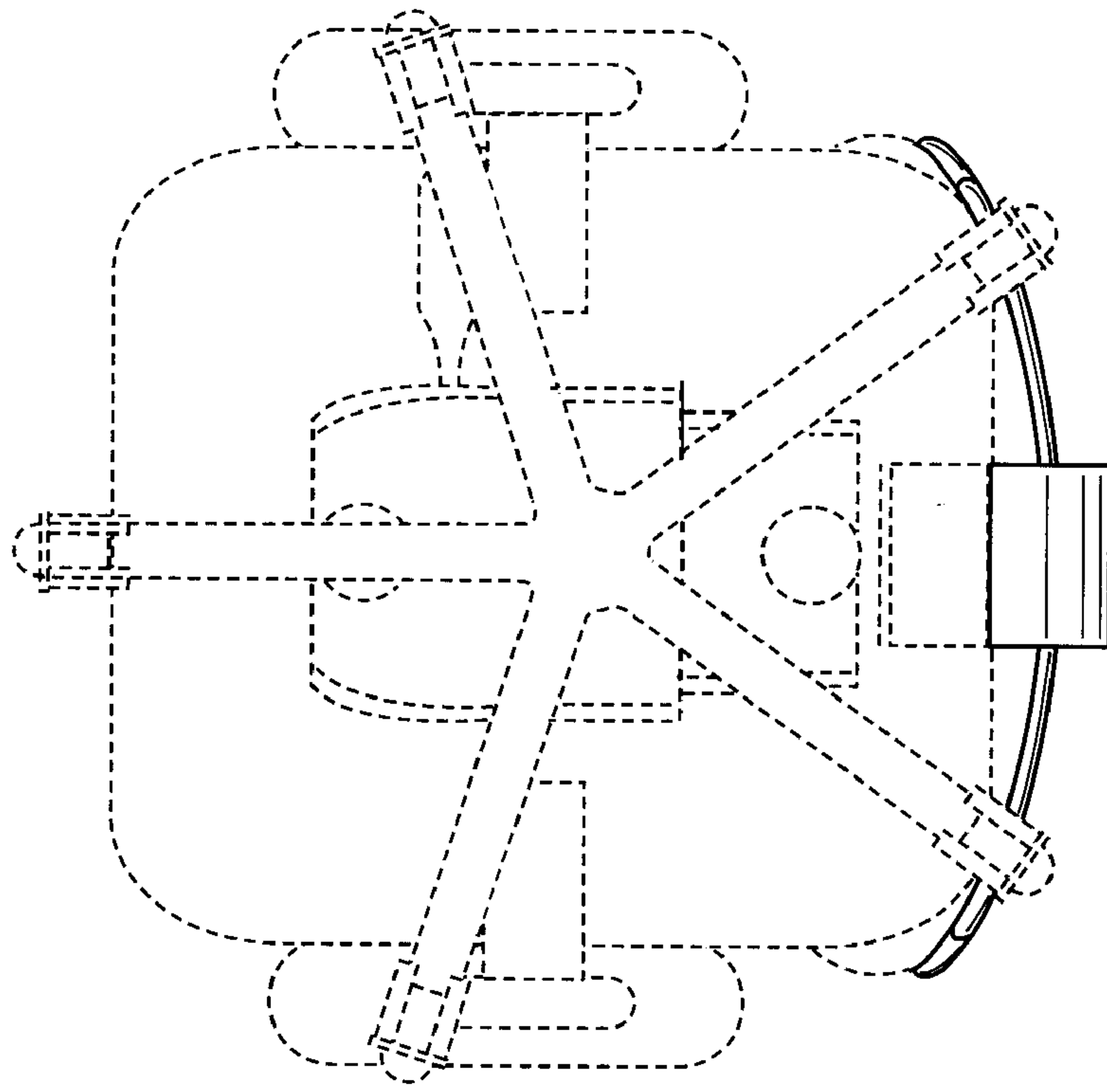


FIG. 8

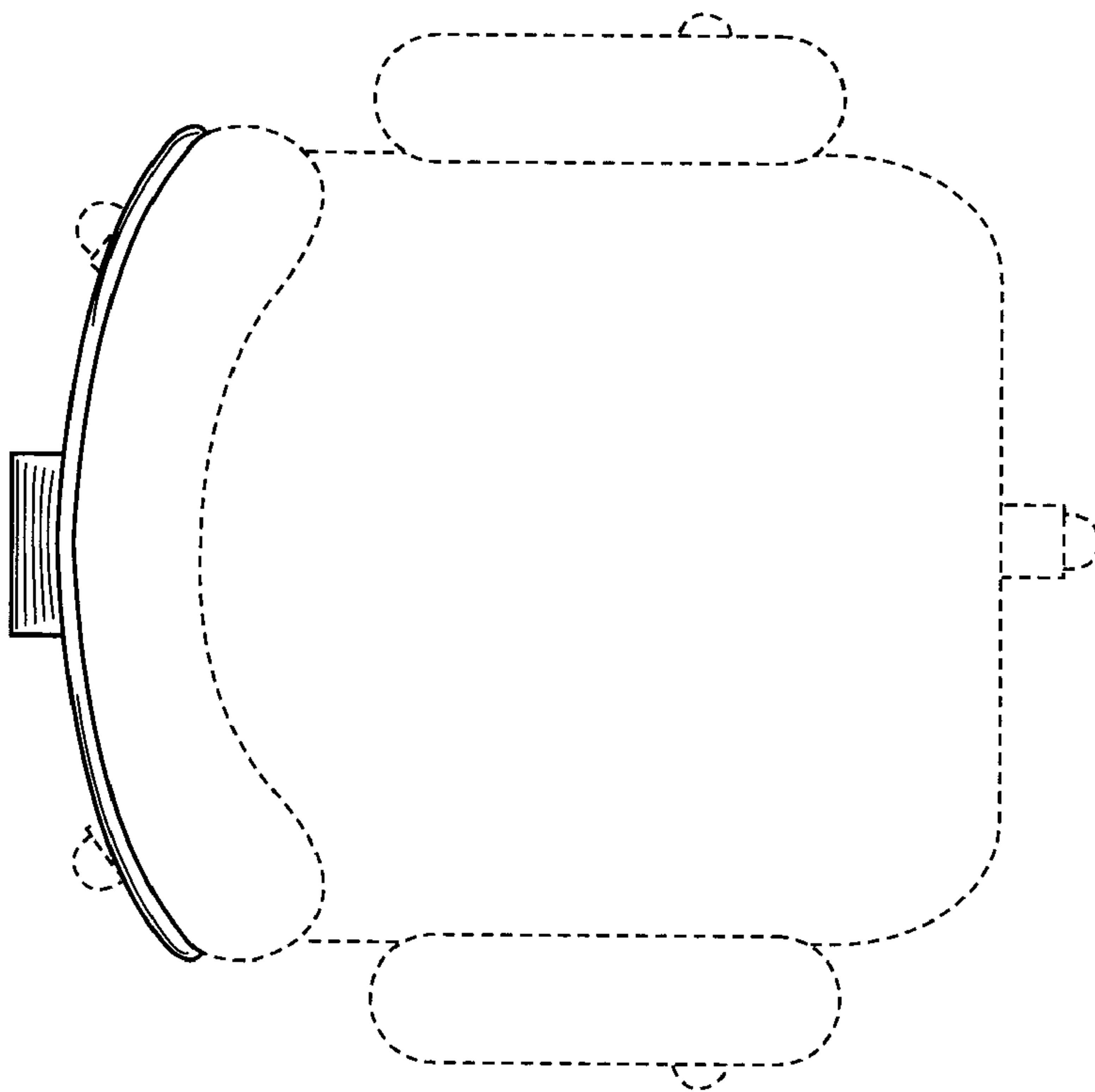


FIG. 7