



US00D534383S

(12) **United States Design Patent**  
**Chu**

(10) **Patent No.:** **US D534,383 S**

(45) **Date of Patent:** **\*\* Jan. 2, 2007**

(54) **CHAIR**

(75) Inventor: **Zoocy Chia-Tien Chu**, Grand Rapids, MI (US)

(73) Assignee: **Global Total Office**, Downsview (CA)

(\*\*) Term: **14 Years**

(21) Appl. No.: **29/231,838**

(22) Filed: **Jun. 10, 2005**

(51) **LOC (8) Cl.** ..... **06-06**

(52) **U.S. Cl.** ..... **D6/501; D6/366**

(58) **Field of Classification Search** ..... D6/334-335, D6/364, 365, 366, 367, 372, 373, 379, 491, D6/500-502; 297/296, 411.2, 411.28, 411.41, 297/411.44, 463.1

See application file for complete search history.

(56) **References Cited**

**U.S. PATENT DOCUMENTS**

- D254,278 S \* 2/1980 Wilson ..... D6/366
- D309,385 S \* 7/1990 Buhk ..... D6/366
- D331,154 S \* 11/1992 Sheridan ..... D6/366

- D411,395 S \* 6/1999 Edwards ..... D6/500
- D445,579 S \* 7/2001 Olson ..... D6/366
- D507,438 S \* 7/2005 Grove ..... D6/501
- D516,329 S \* 3/2006 Baeriswyl ..... D6/366

\* cited by examiner

*Primary Examiner*—Mimosa De

(74) *Attorney, Agent, or Firm*—Swernofsky Law Group PC

(57) **CLAIM**

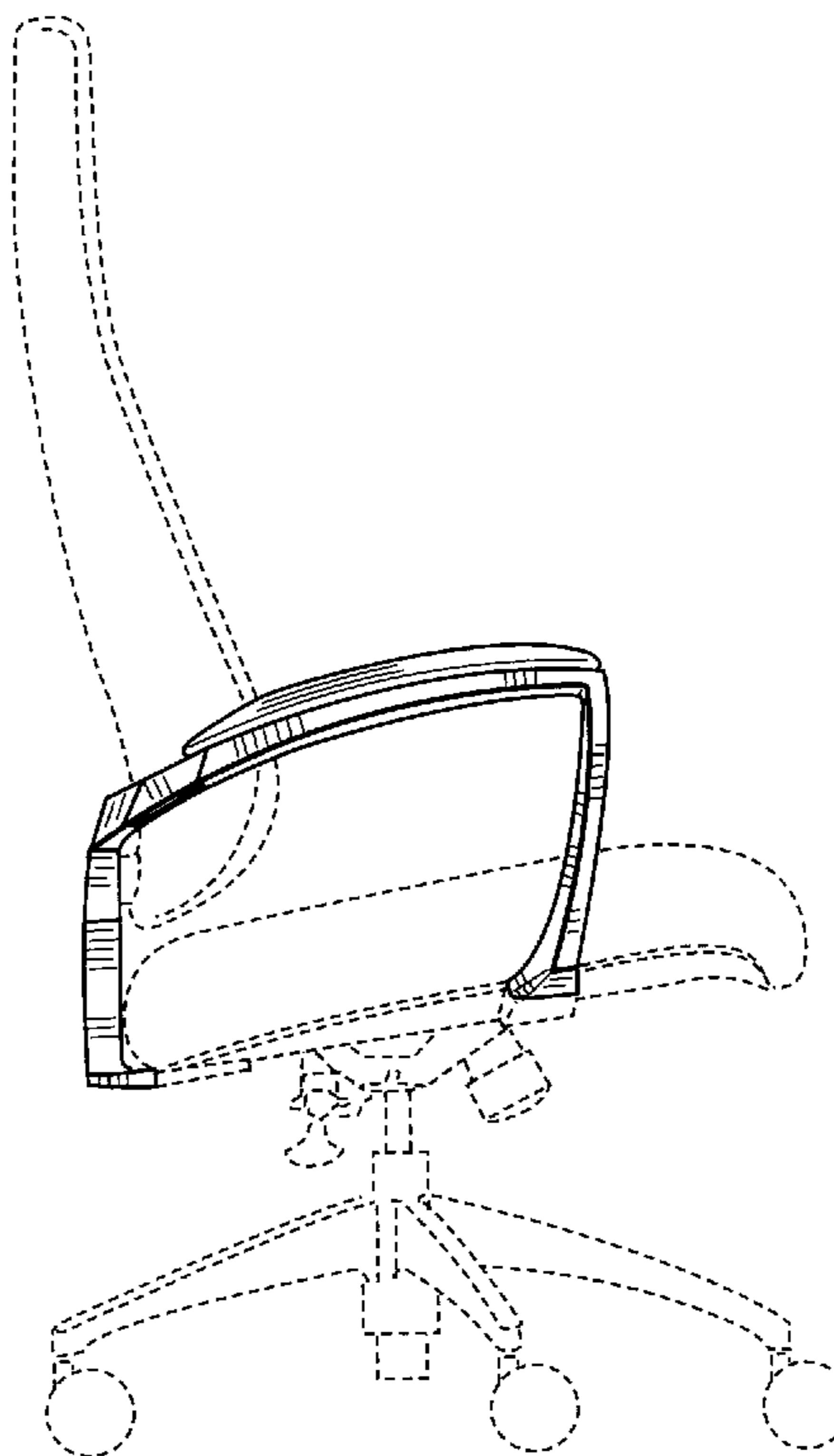
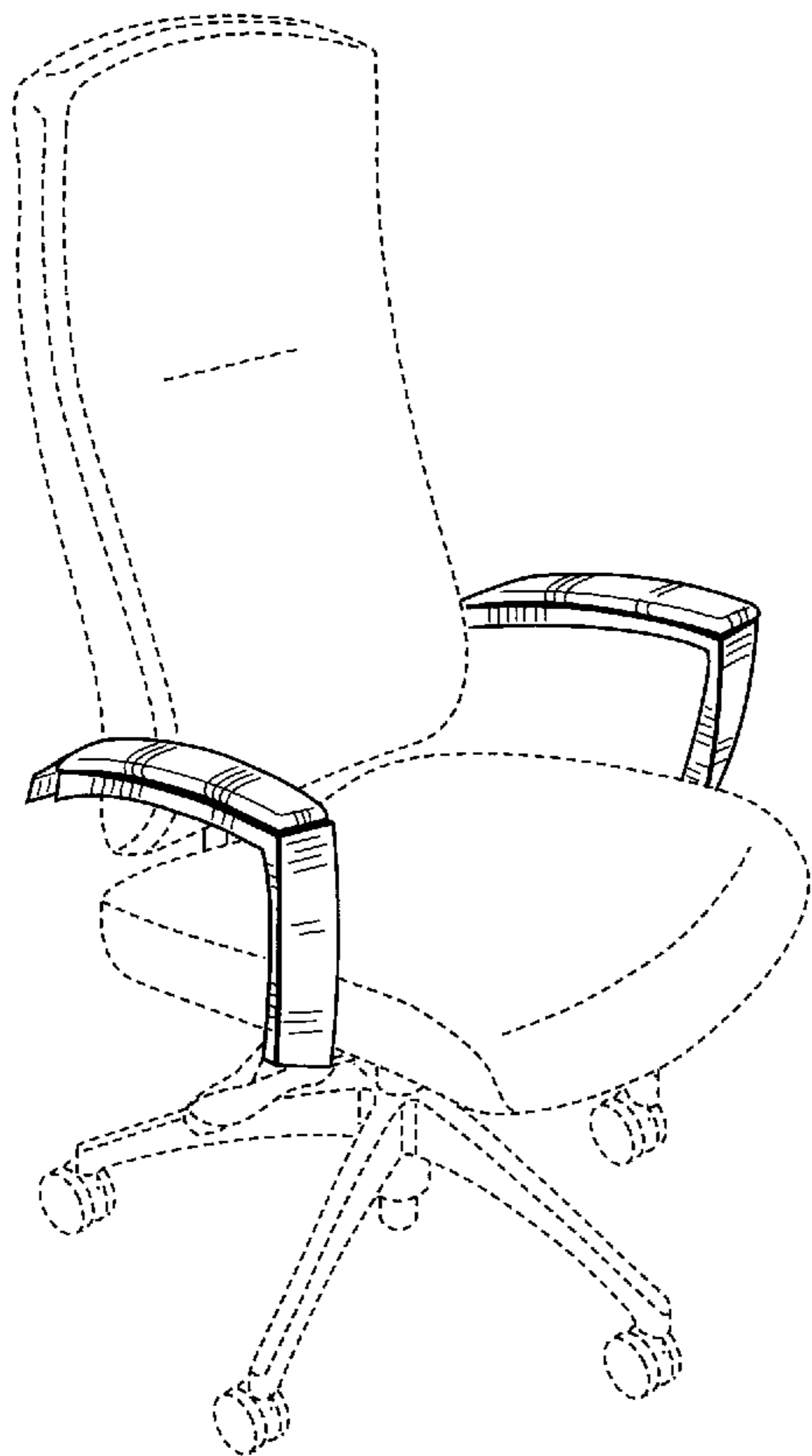
The ornamental design for a chair, as shown and described.

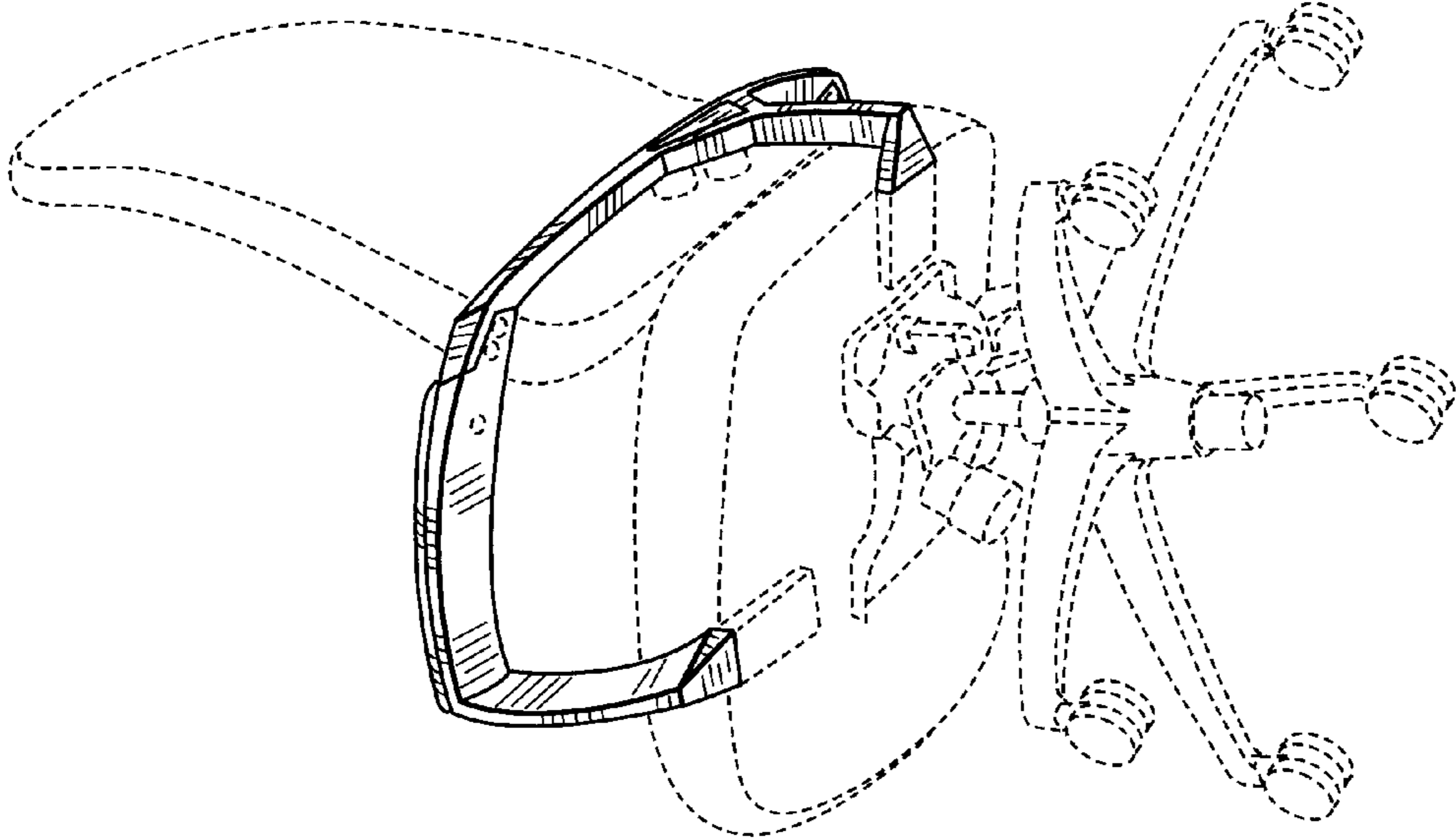
**DESCRIPTION**

FIG. 1 is a front perspective view of the design;  
FIG. 2 is a bottom perspective view of the design;  
FIG. 3 is a right side elevation view thereof;  
FIG. 4 is a front elevation view thereof;  
FIG. 5 is a left side elevation view thereof;  
FIG. 6 is a rear elevation view thereof;  
FIG. 7 is a top plan view thereof; and,  
FIG. 8 is a bottom plan view thereof.

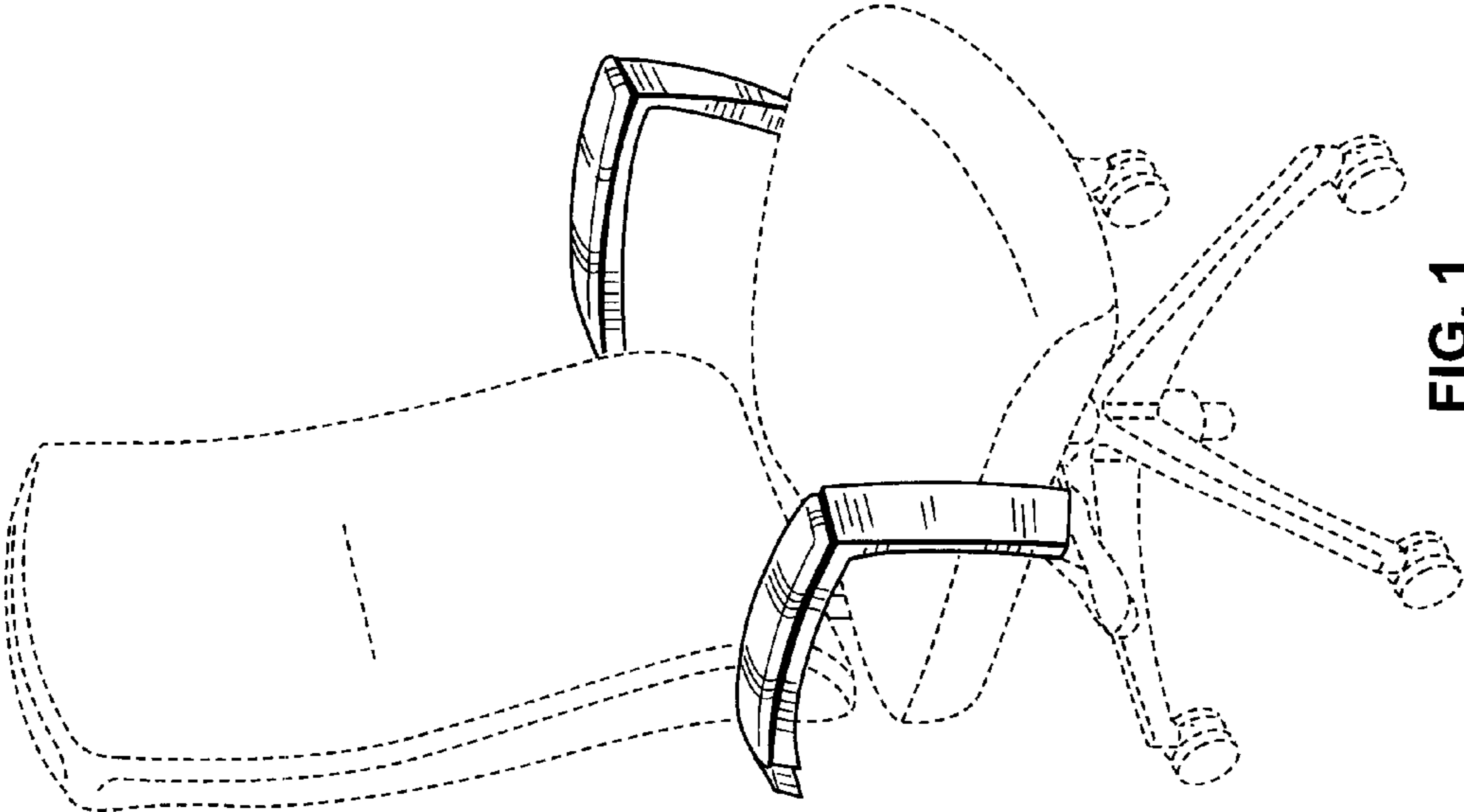
The portions of the chair shown in broken lines are provided for illustration purposes only and form no part of the claimed design.

**1 Claim, 4 Drawing Sheets**

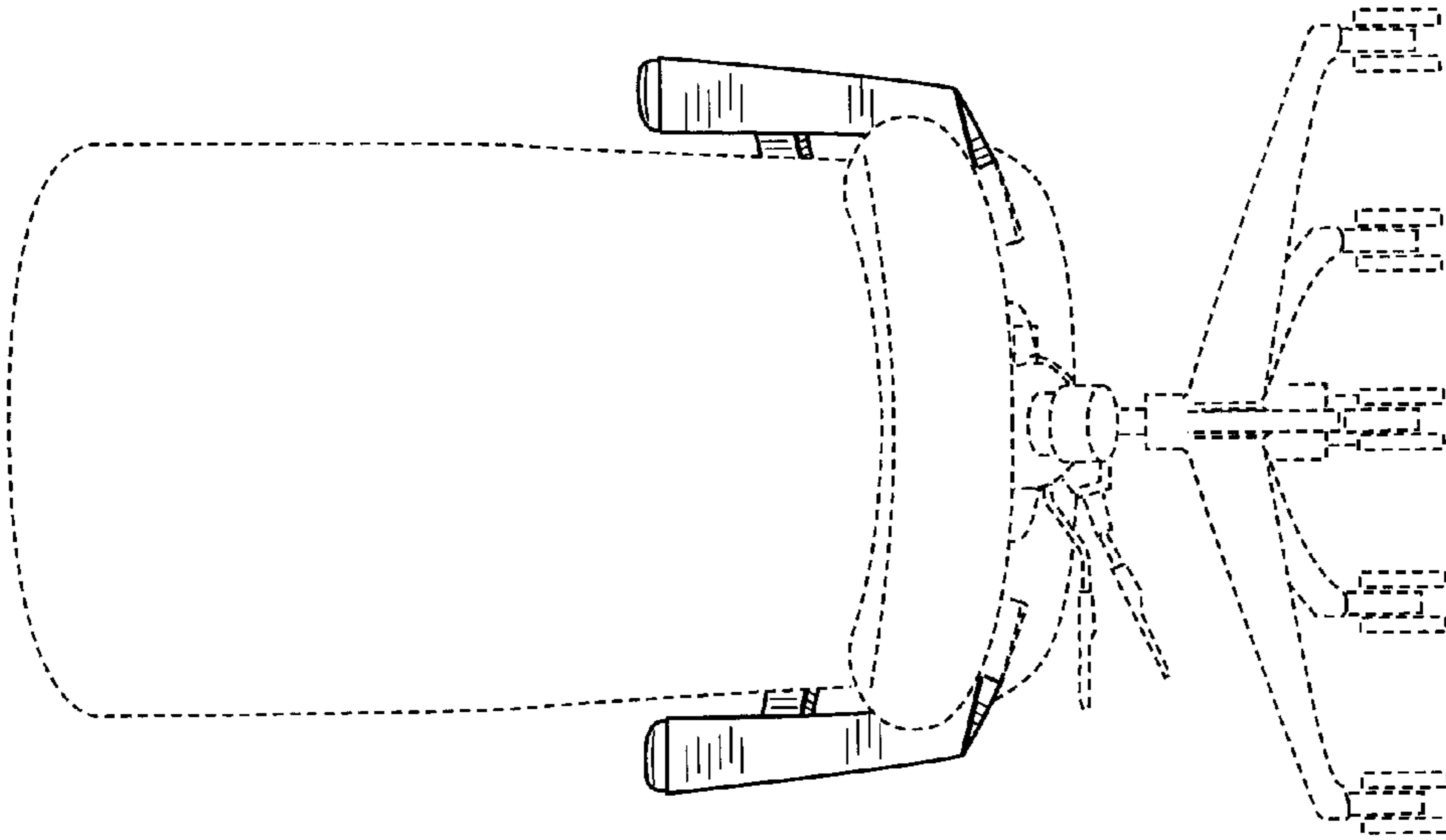




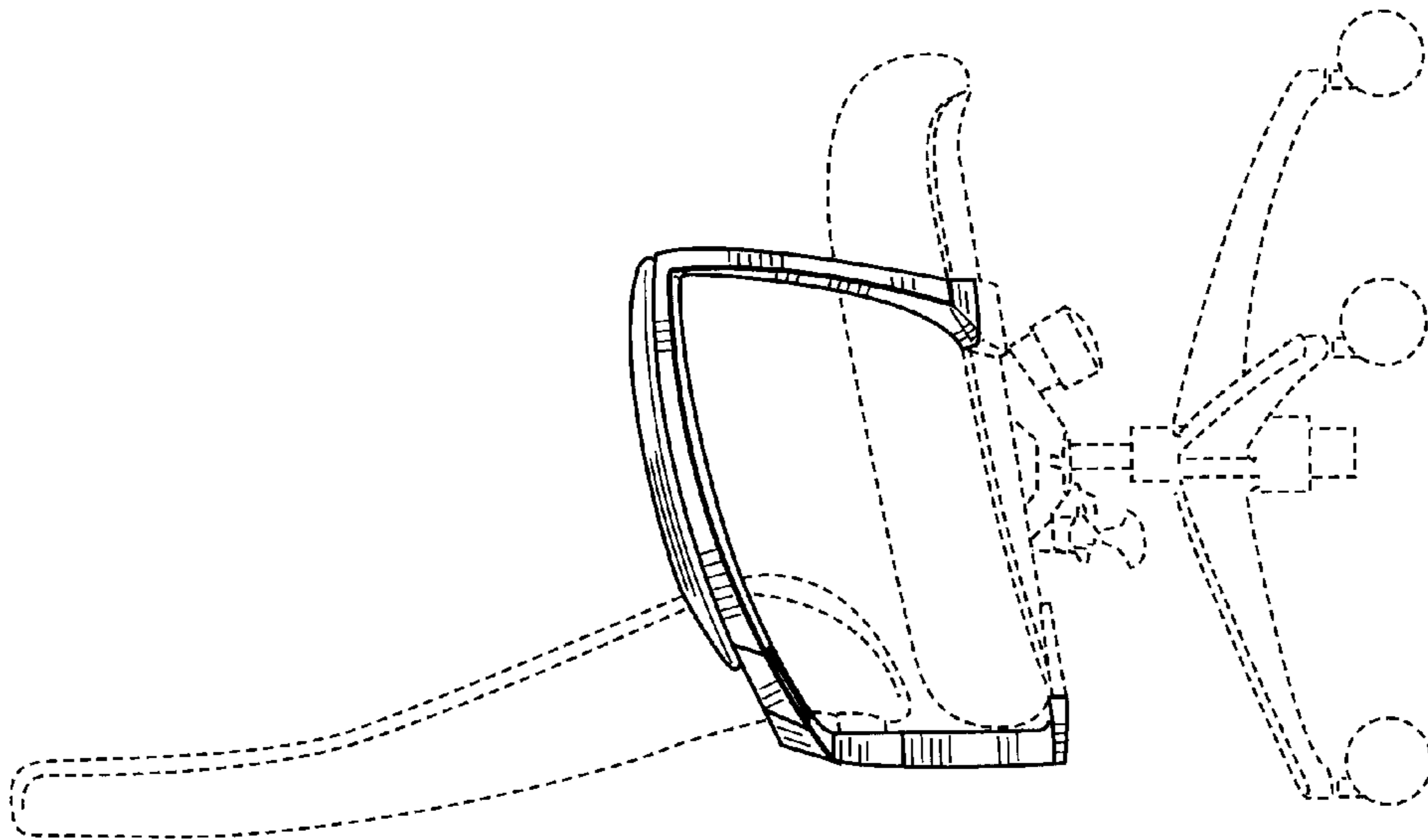
**FIG. 2**



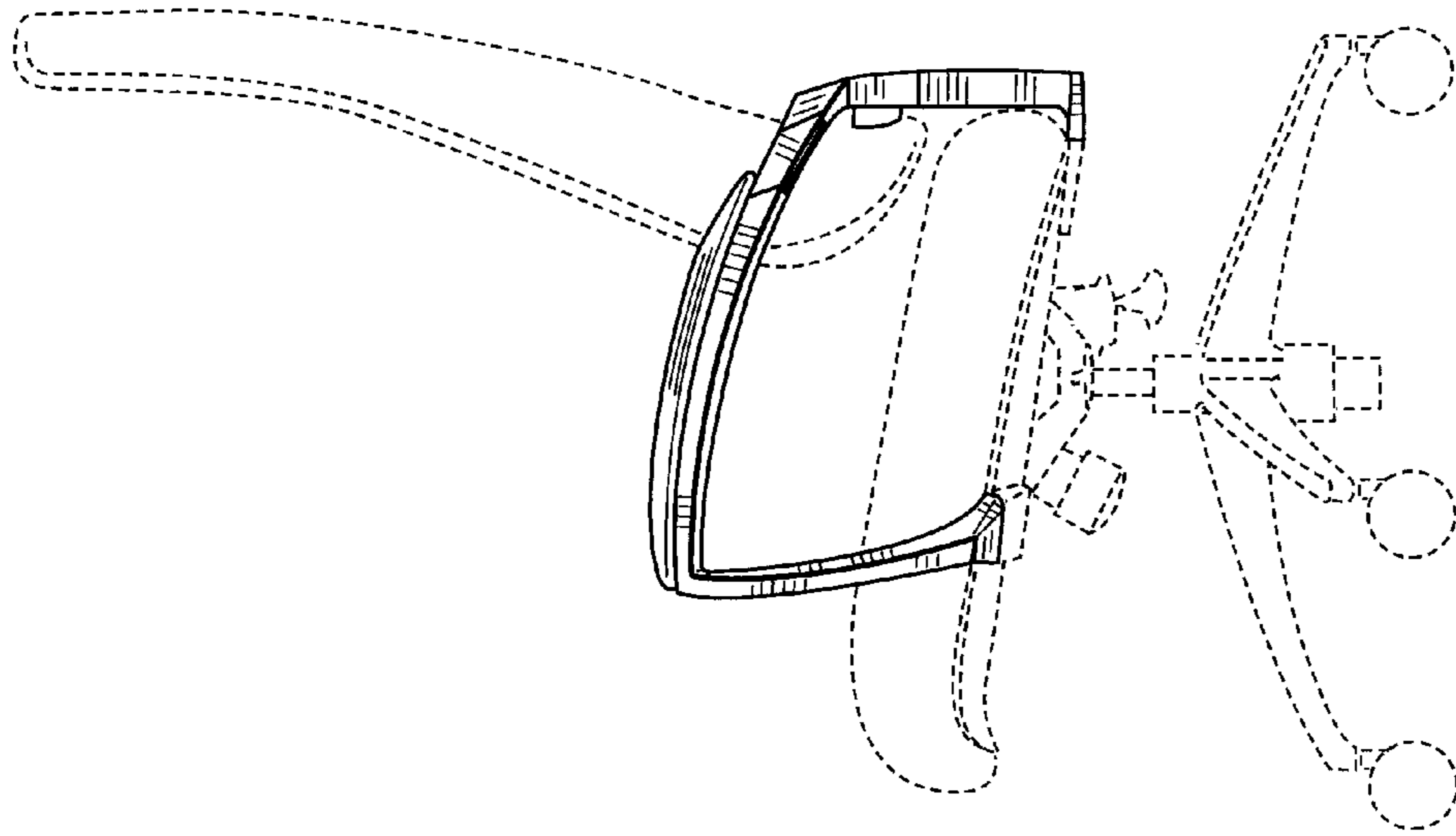
**FIG. 1**



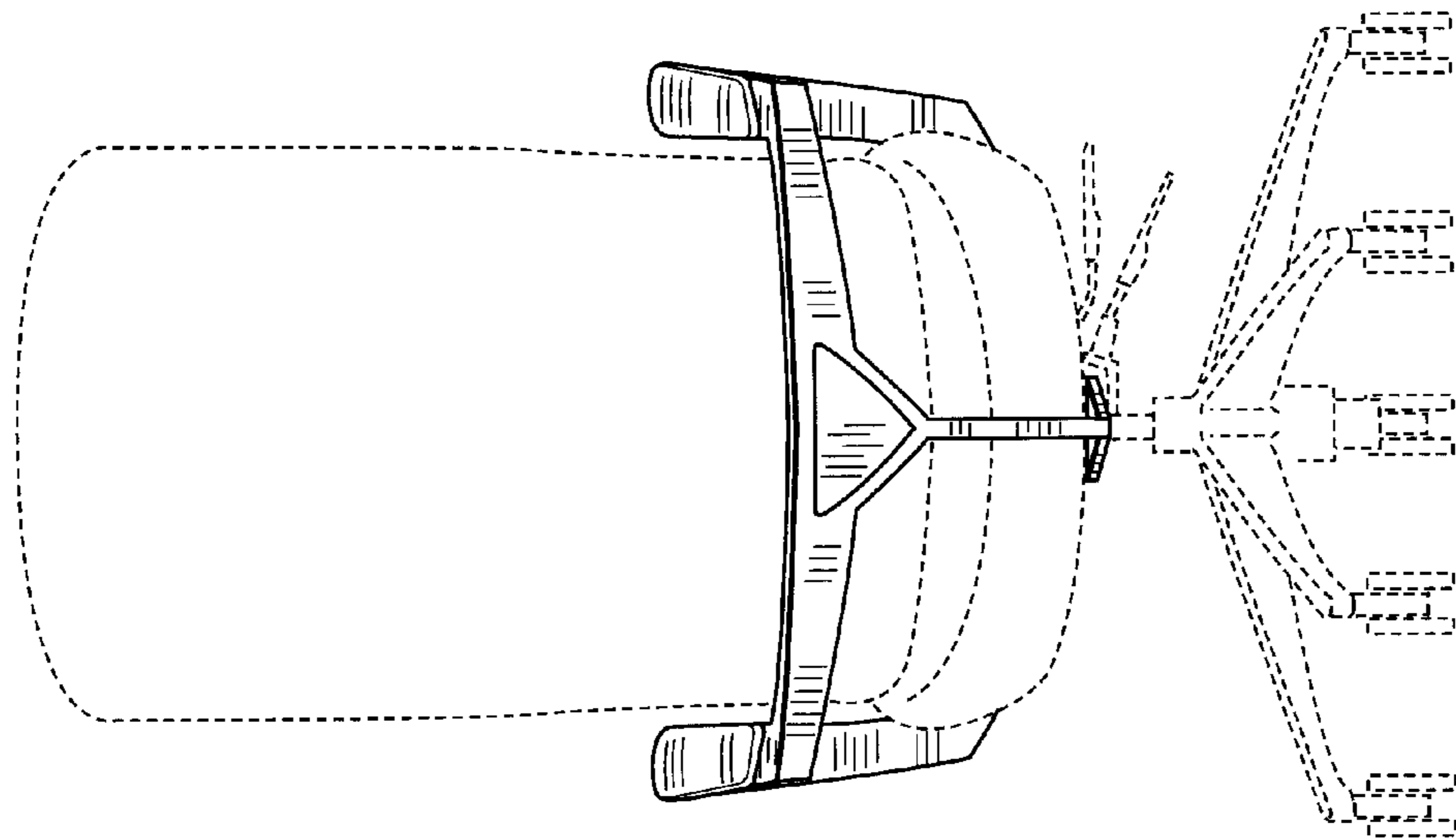
**FIG. 4**



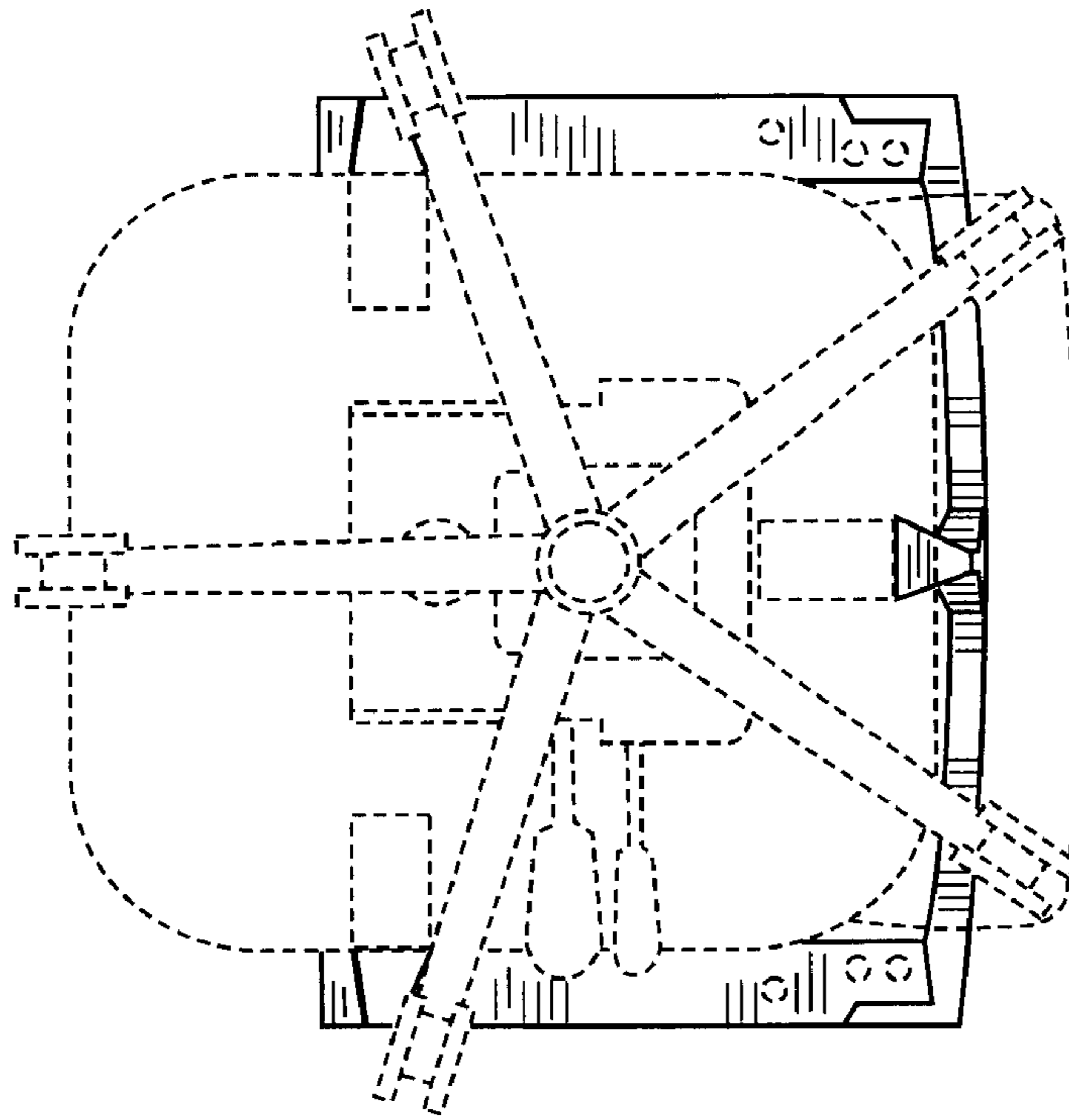
**FIG. 3**



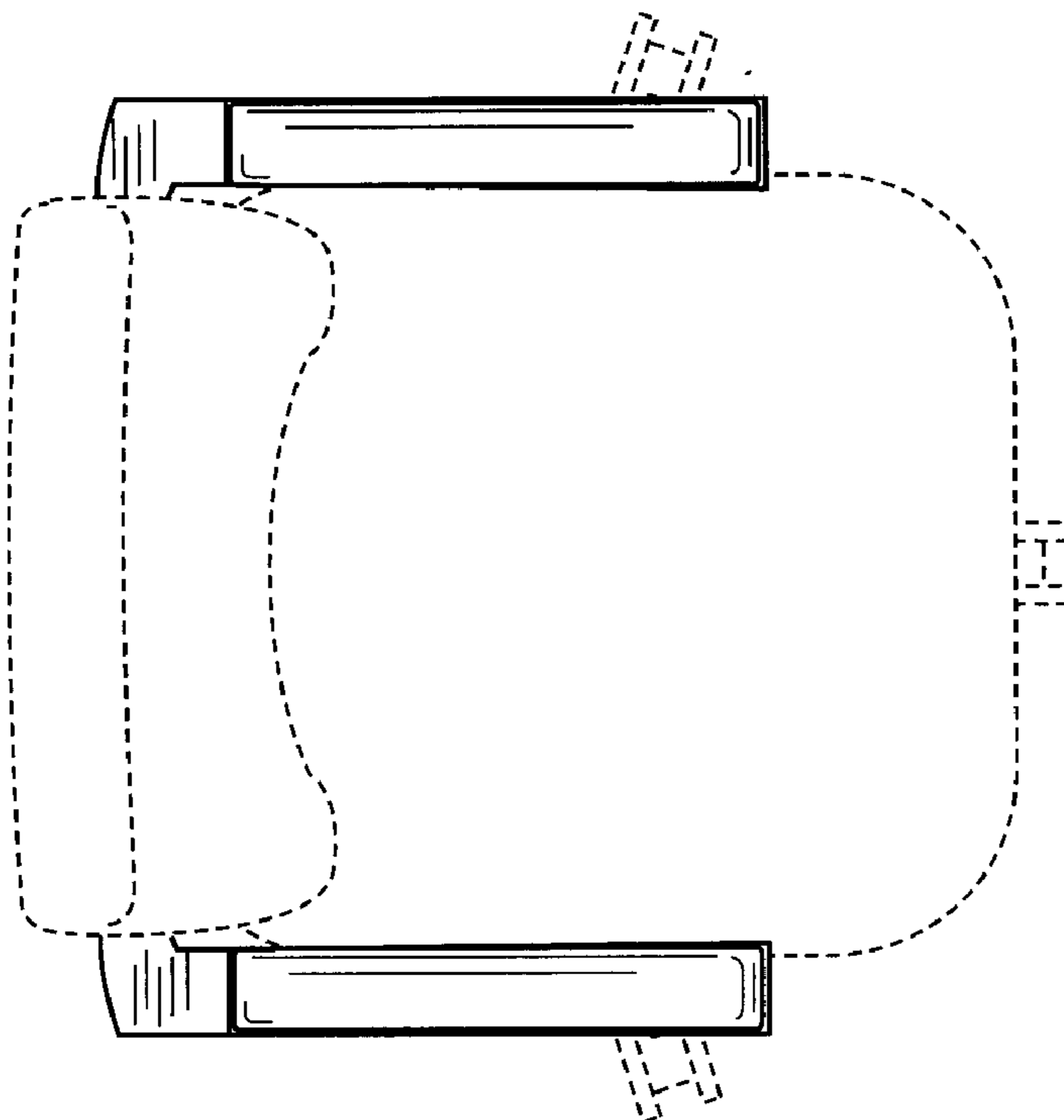
**FIG. 5**



**FIG. 6**



**FIG. 8**



**FIG. 7**