



US00D534382S

(12) **United States Design Patent**
Trott

(10) **Patent No.:** **US D534,382 S**
(45) **Date of Patent:** **** Jan. 2, 2007**

- (54) **SUPPORT BASE**
- (76) **Inventor:** **Charles Robert Trott**, 311 Broadway,
Libertyville, IL (US) 60048
- (**) **Term:** **14 Years**
- (21) **Appl. No.:** **29/229,825**
- (22) **Filed:** **May 12, 2005**
- (51) **LOC (8) Cl.** **06-06**
- (52) **U.S. Cl.** **D6/499**
- (58) **Field of Classification Search** D6/480-489,
D6/495-499; 108/150, 153.1, 155, 156, 157.1,
108/161, 157.18; 248/188, 188.1
See application file for complete search history.

- 4,829,739 A 5/1989 Coppa
- D337,678 S 7/1993 Zinke
- D349,619 S 8/1994 Li
- 6,132,129 A 10/2000 Frazier
- D487,155 S * 2/2004 Barber D25/61
- D512,859 S * 12/2005 Garvey D6/499
- 2001/0000717 A1 5/2001 Bridgers

* cited by examiner

Primary Examiner—Janice Seeger
(74) *Attorney, Agent, or Firm*—Vedder, Price, Kaufman & Kammholz, P.C.

(57) **CLAIM**

The ornamental design for a support base, as shown and described.

DESCRIPTION

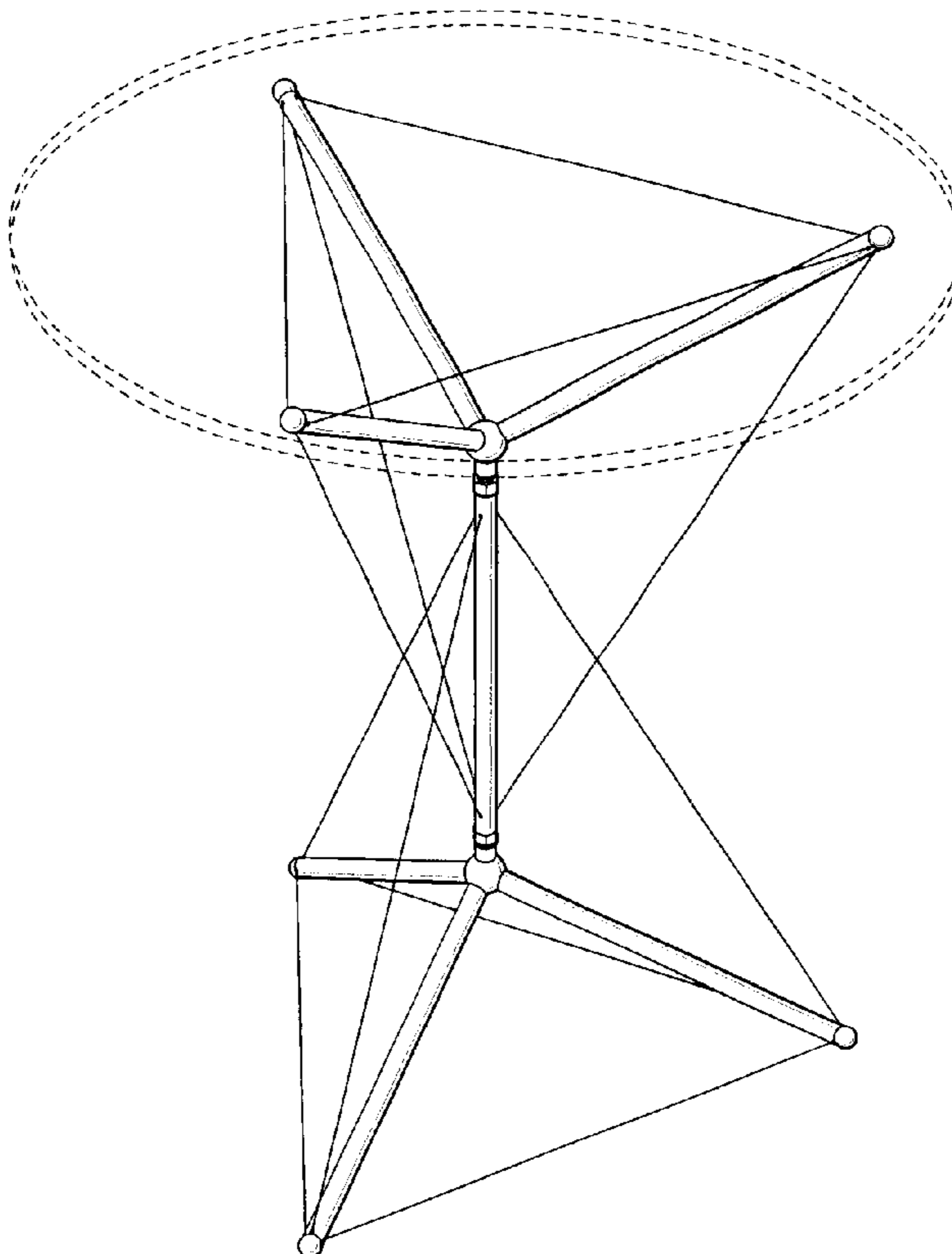
FIG. 1 is a perspective view of a support base;
FIG. 2 is a top plan view, the bottom plan view being a mirror image;
FIG. 3 is a rear elevation view;
FIG. 4 is a side elevation view, the opposite side being a mirror image; and,
FIG. 5 is a front elevation view.
The broken lines are for environmental purposes only and form no part of the claimed design.

(56) **References Cited**

U.S. PATENT DOCUMENTS

- 2,388,287 A 11/1945 Richardson
- 2,710,733 A * 6/1955 Phillips 248/431
- 3,722,153 A 3/1973 Baer
- 3,747,261 A 7/1973 Salem
- 3,840,206 A 10/1974 Palmer
- D238,840 S * 2/1976 Cassina D6/487
- D267,609 S 1/1983 Reistetter et al.
- D267,610 S 1/1983 Reistetter et al.
- 4,448,378 A 5/1984 Binfare
- D295,005 S * 4/1988 Murry D6/498

1 Claim, 3 Drawing Sheets



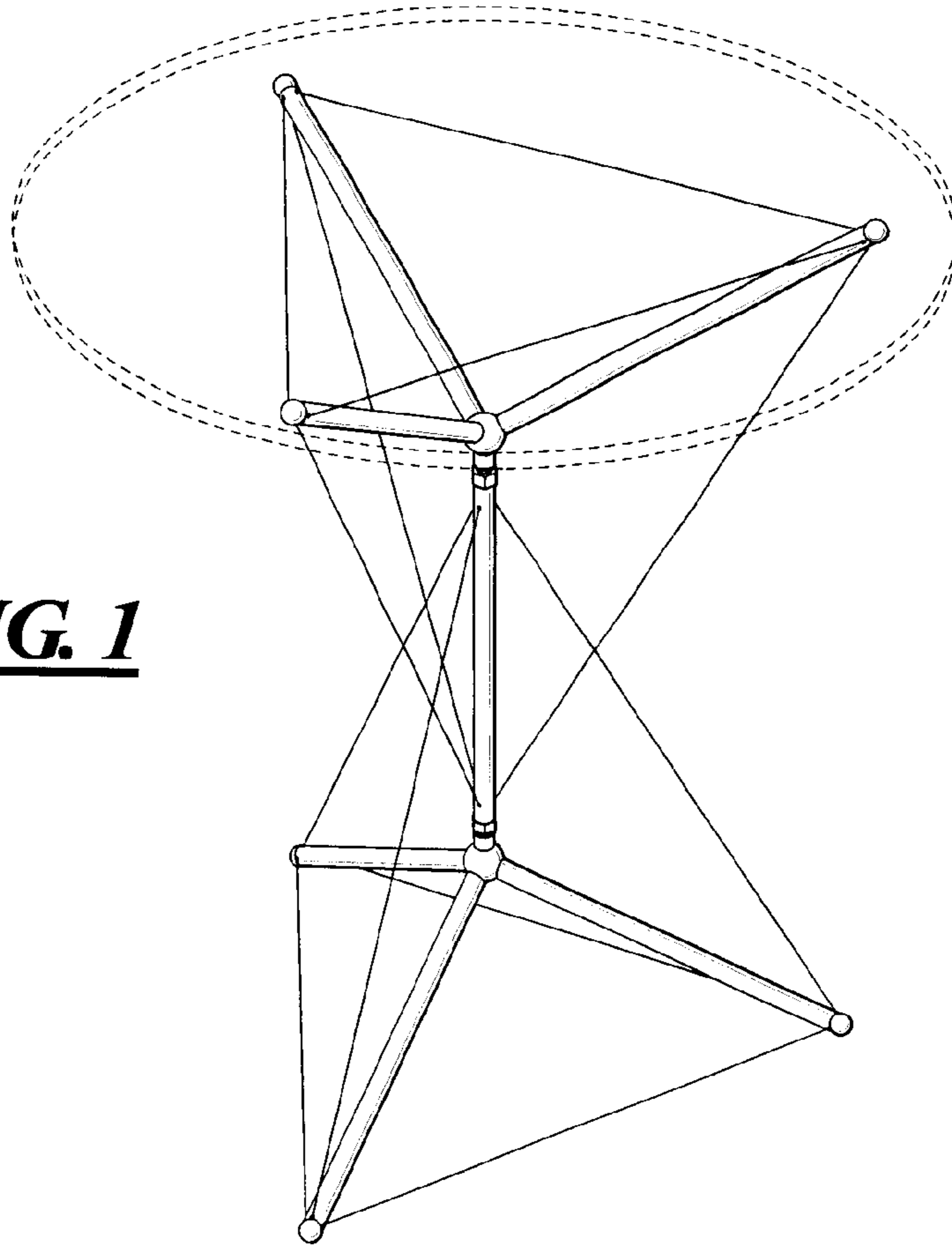


FIG. 1

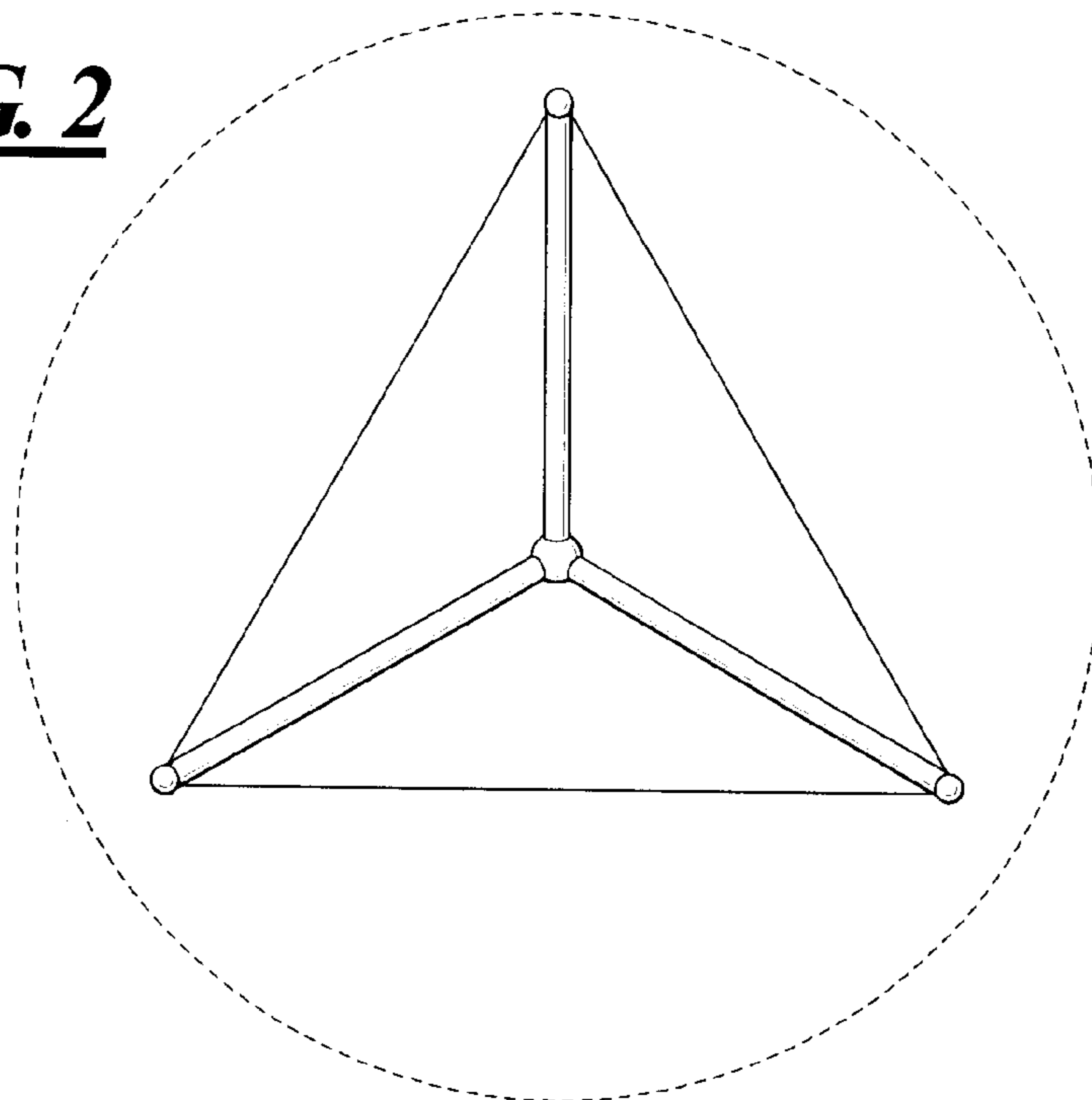


FIG. 2

FIG. 3

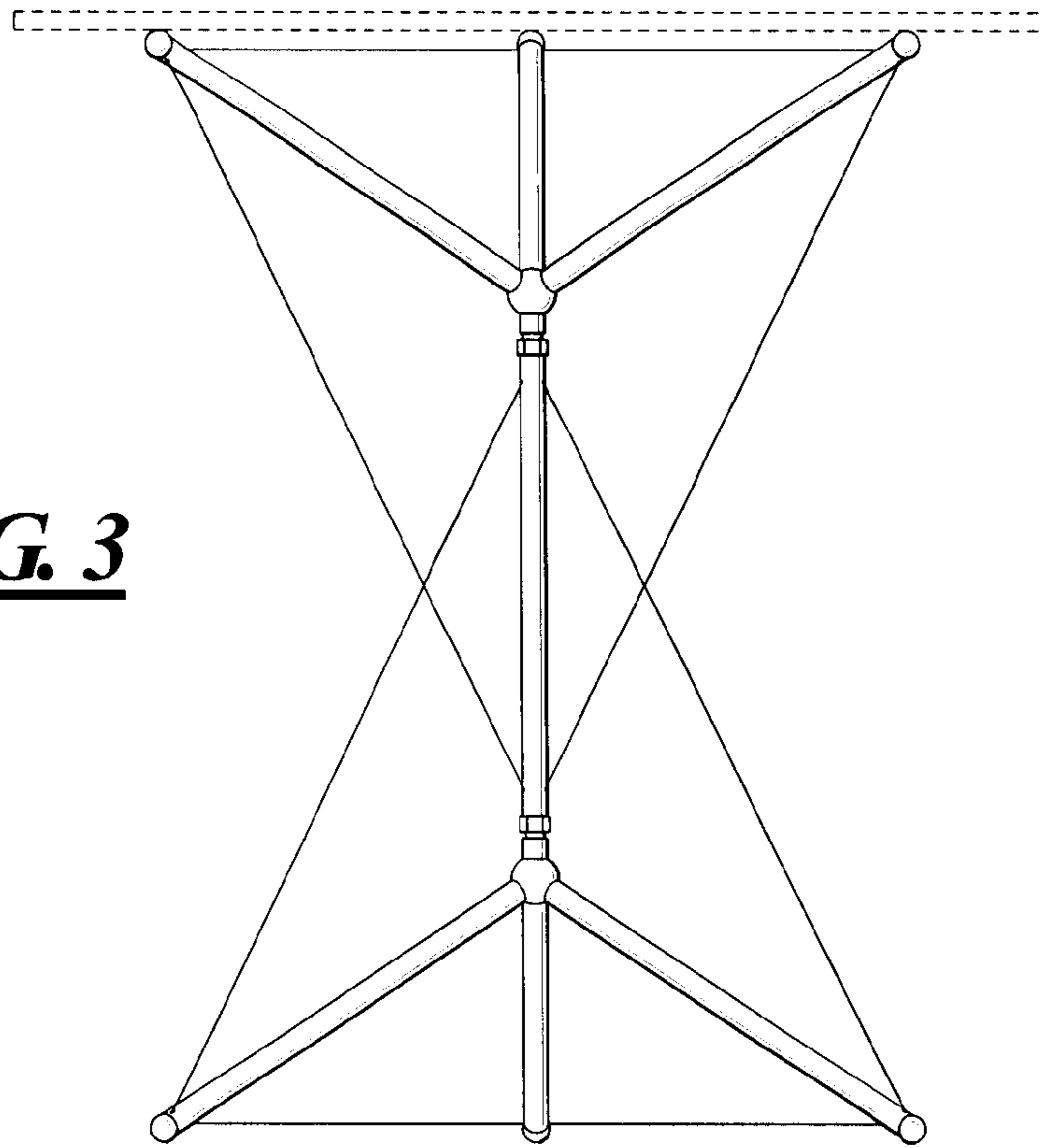


FIG. 4

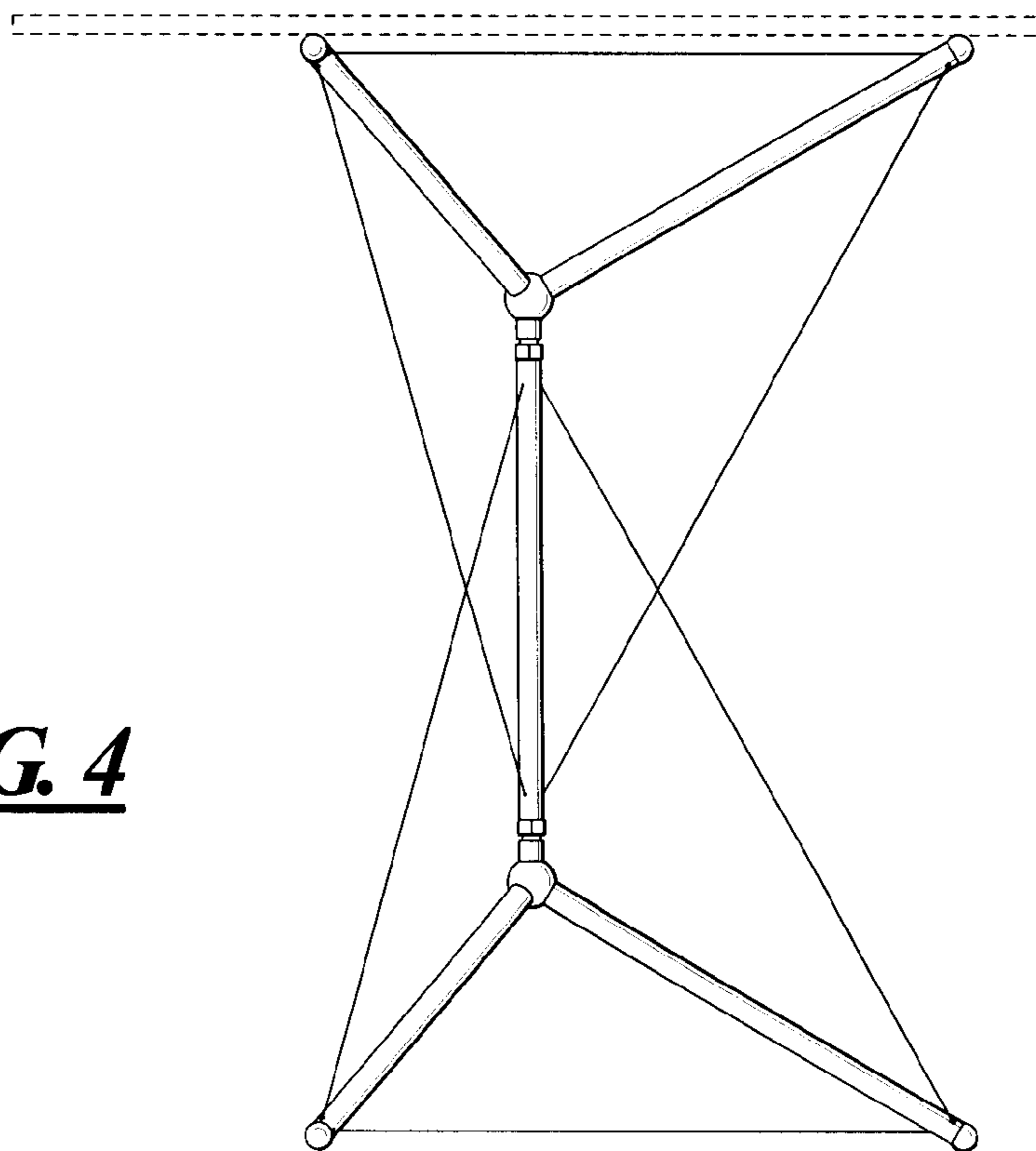


FIG. 5

