



US00D534377S

(12) **United States Design Patent**  
**Bibi**

(10) **Patent No.:** **US D534,377 S**

(45) **Date of Patent:** **\*\* Jan. 2, 2007**

(54) **TABLE**

D513,139 S \* 12/2005 Bibi ..... D6/480  
D513,909 S \* 1/2006 Bibi ..... D6/484

(75) Inventor: **Reuben Bibi**, Brooklyn, NY (US)

\* cited by examiner

(73) Assignee: **E. Josef, Inc.**, Brooklyn, NY (US)

*Primary Examiner*—Janice Seeger

(\*\*) Term: **14 Years**

(74) *Attorney, Agent, or Firm*—Ezra Sutton, Esq.

(21) Appl. No.: **29/228,672**

(57) **CLAIM**

(22) Filed: **Apr. 27, 2005**

The ornamental design for a table, as shown and described.

(51) **LOC (8) Cl.** ..... **06-03**

**DESCRIPTION**

(52) **U.S. Cl.** ..... **D6/484; D21/397**

FIG. 1 is a front perspective view of a table embodying my new design with a first playing surface on the top of the table;

(58) **Field of Classification Search** ..... D6/480–489,  
D6/495–499, 422–426, 451, 429, 430; 108/150,  
108/153.1, 155, 156, 157.1, 161, 157.18,  
108/11, 62, 34; 248/188, 188.1; D21/397  
See application file for complete search history.

FIG. 2 is a front perspective view of a table embodying my new design with a second playing surface rotated to the top of the table;

(56) **References Cited**

**U.S. PATENT DOCUMENTS**

3,001,843 A \* 9/1961 Davis ..... 108/62  
D487,654 S \* 3/2004 Molteni ..... D6/484  
D490,254 S \* 5/2004 Stanton ..... D6/484

FIG. 3 is a front elevational view thereof, and the rear elevational view being a mirror image thereof;

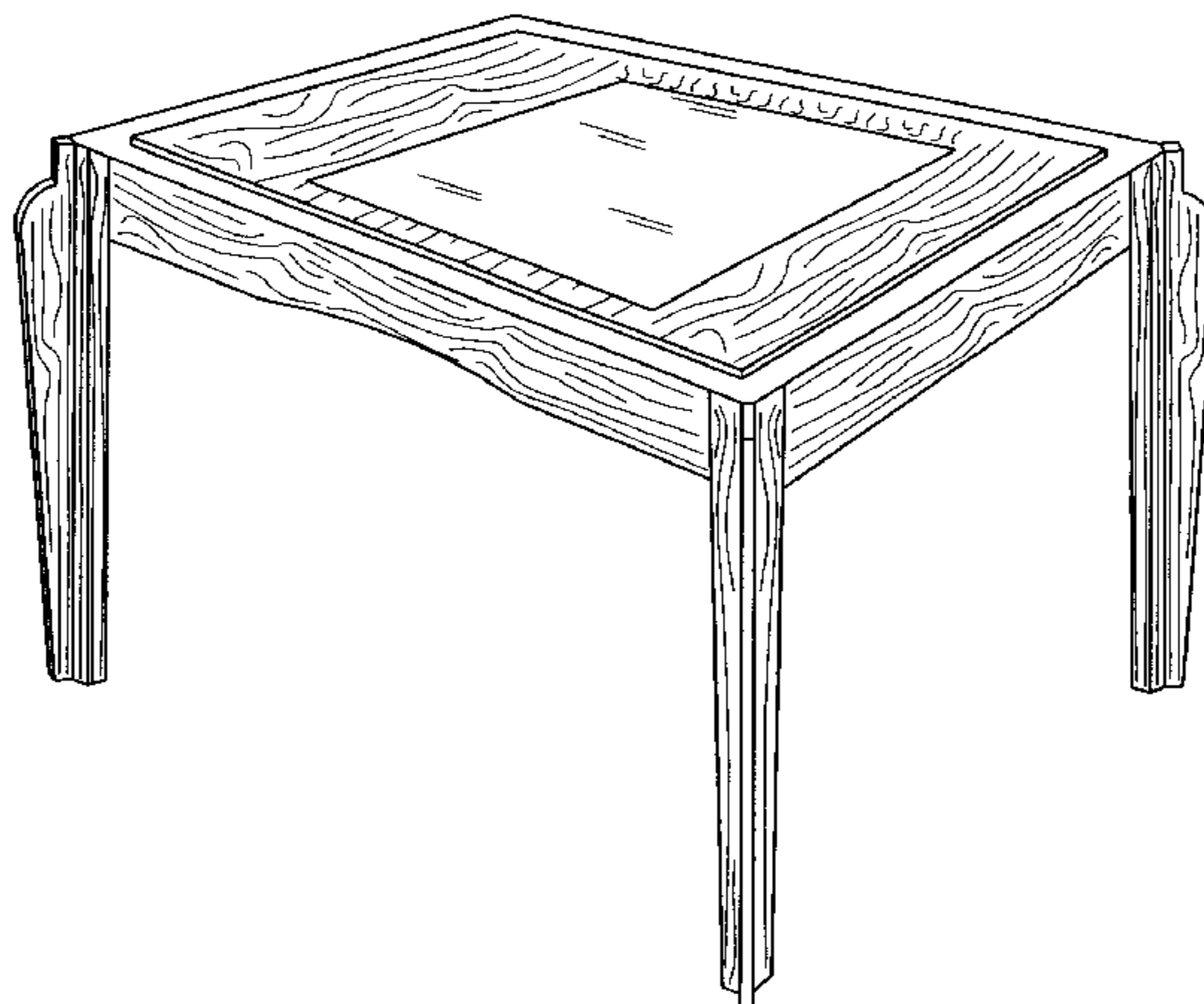
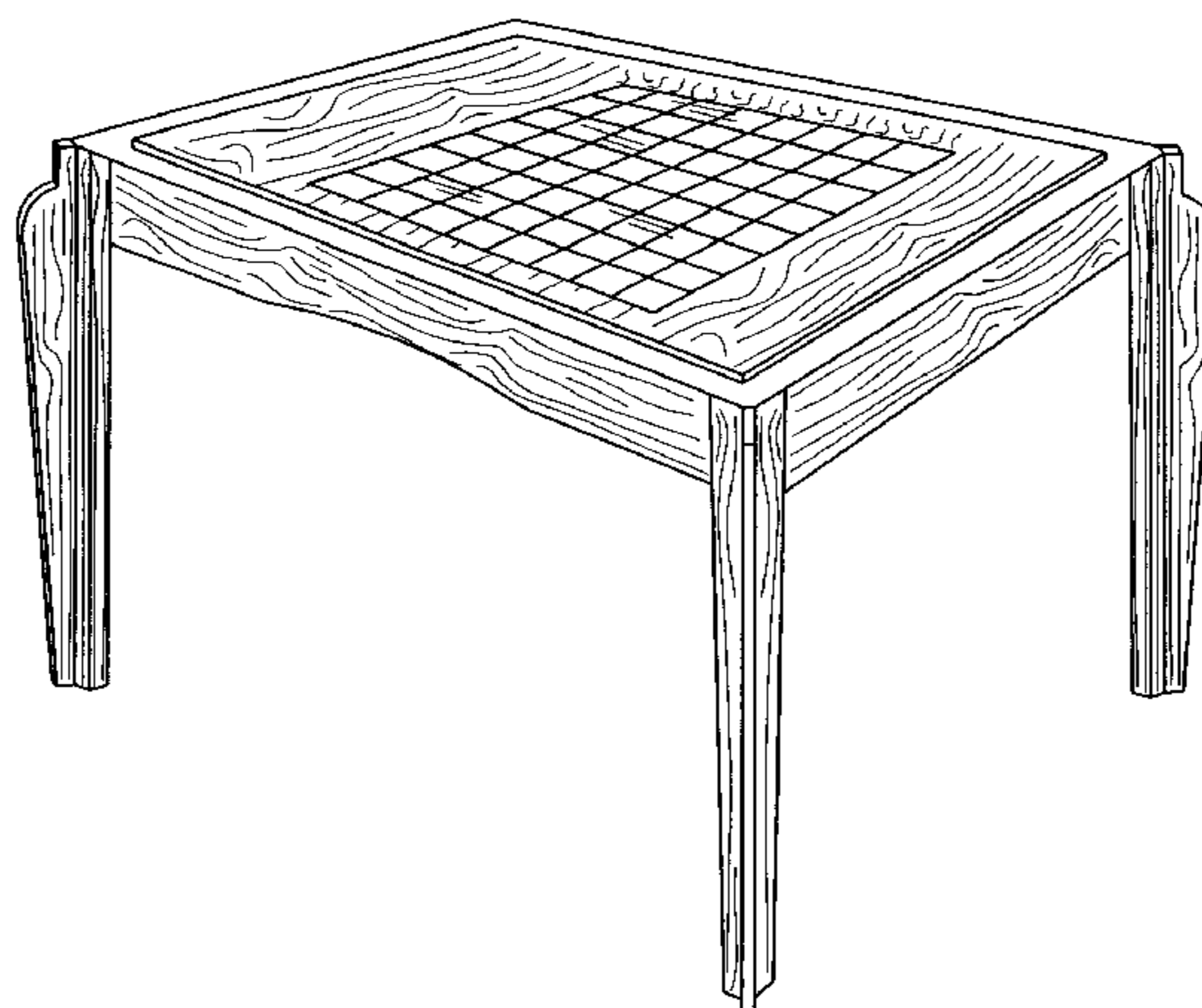
FIG. 4 is a left side elevational view thereof, and the right side elevational view being a mirror image thereof;

FIG. 5 is a top plan view thereof;

FIG. 6 is a bottom plan view thereof; and,

FIG. 7 is a perspective view of an alternate embodiment having a square shape.

**1 Claim, 4 Drawing Sheets**



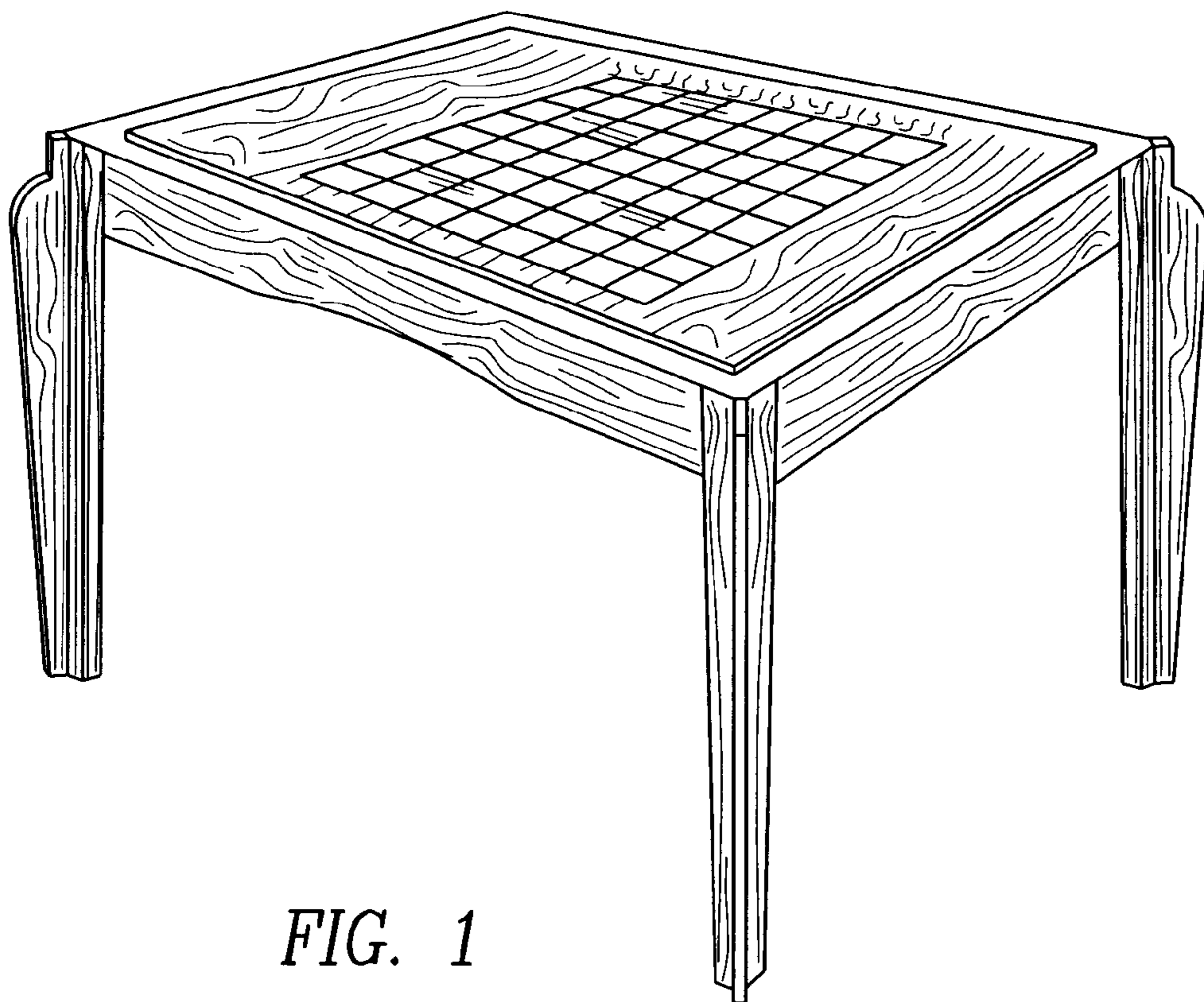


FIG. 1

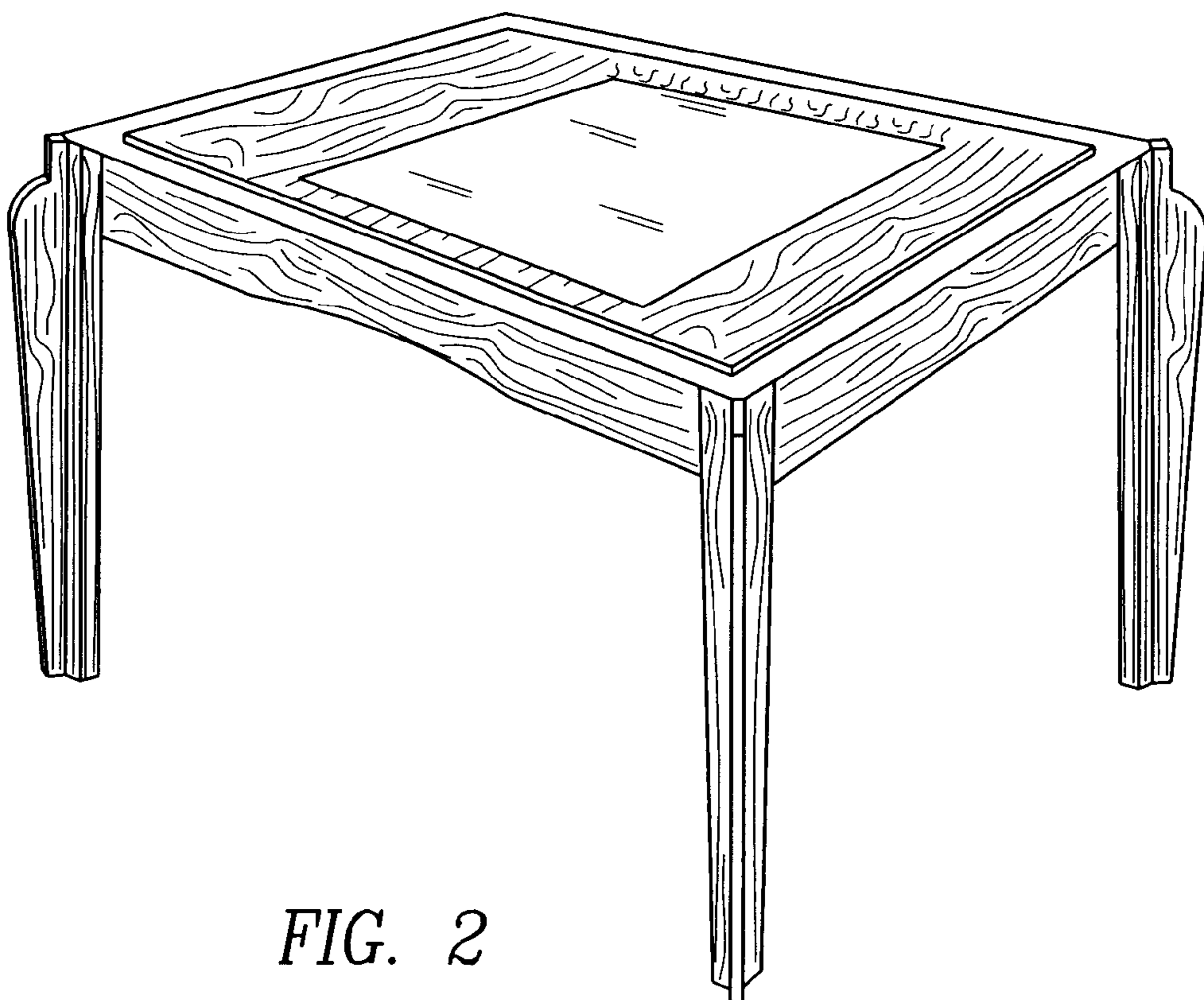
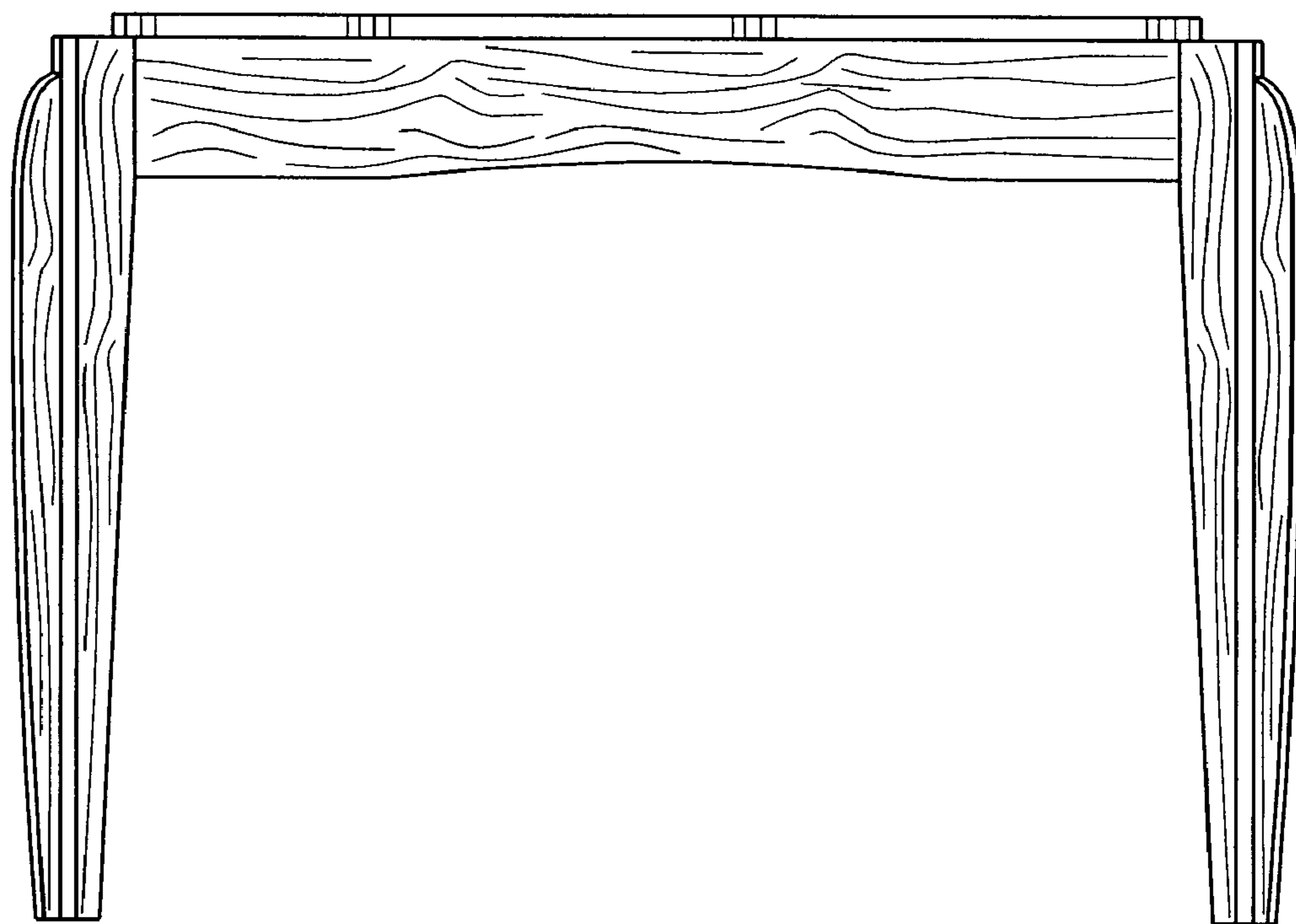
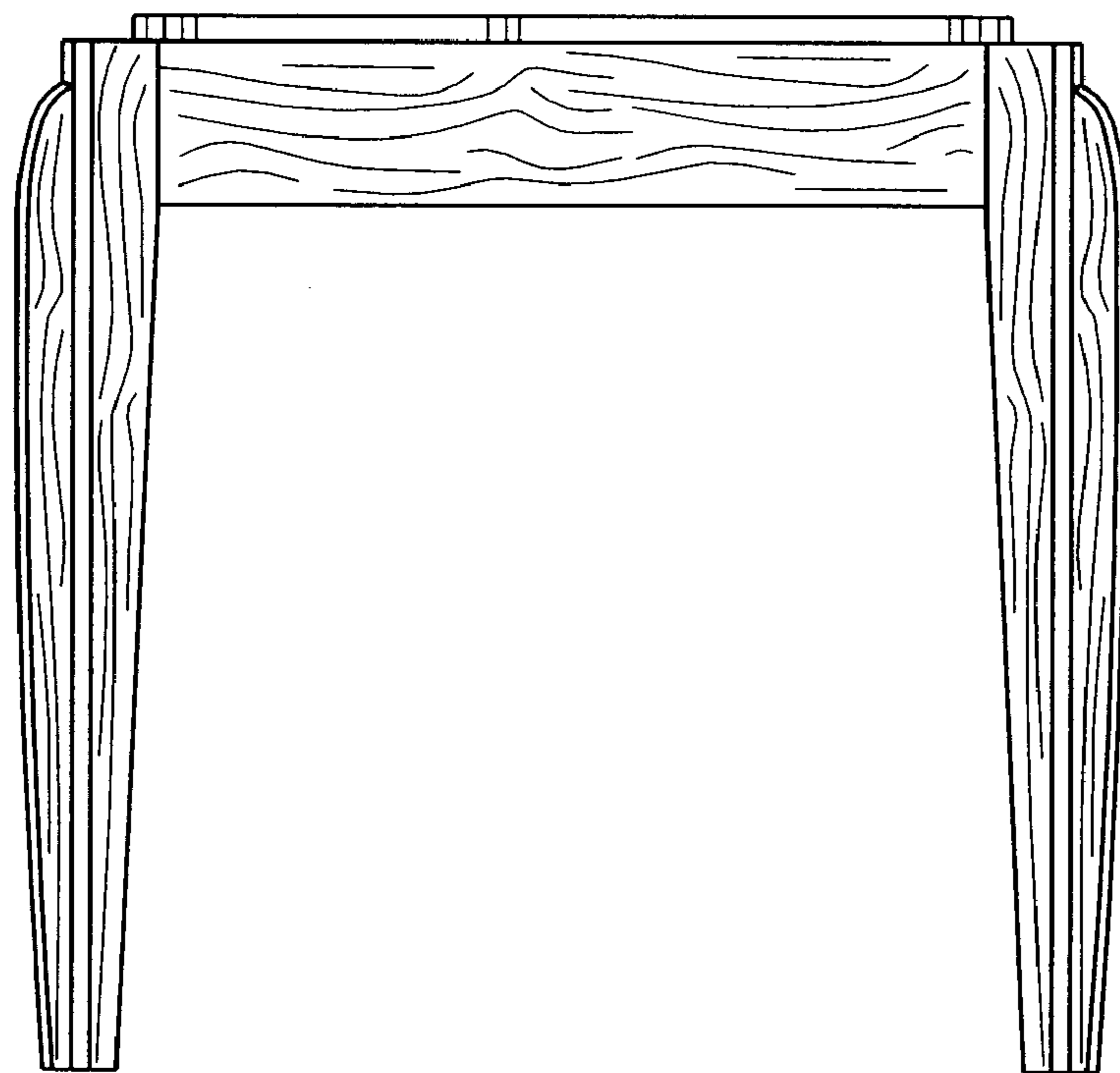


FIG. 2



*FIG. 3*



*FIG. 4*

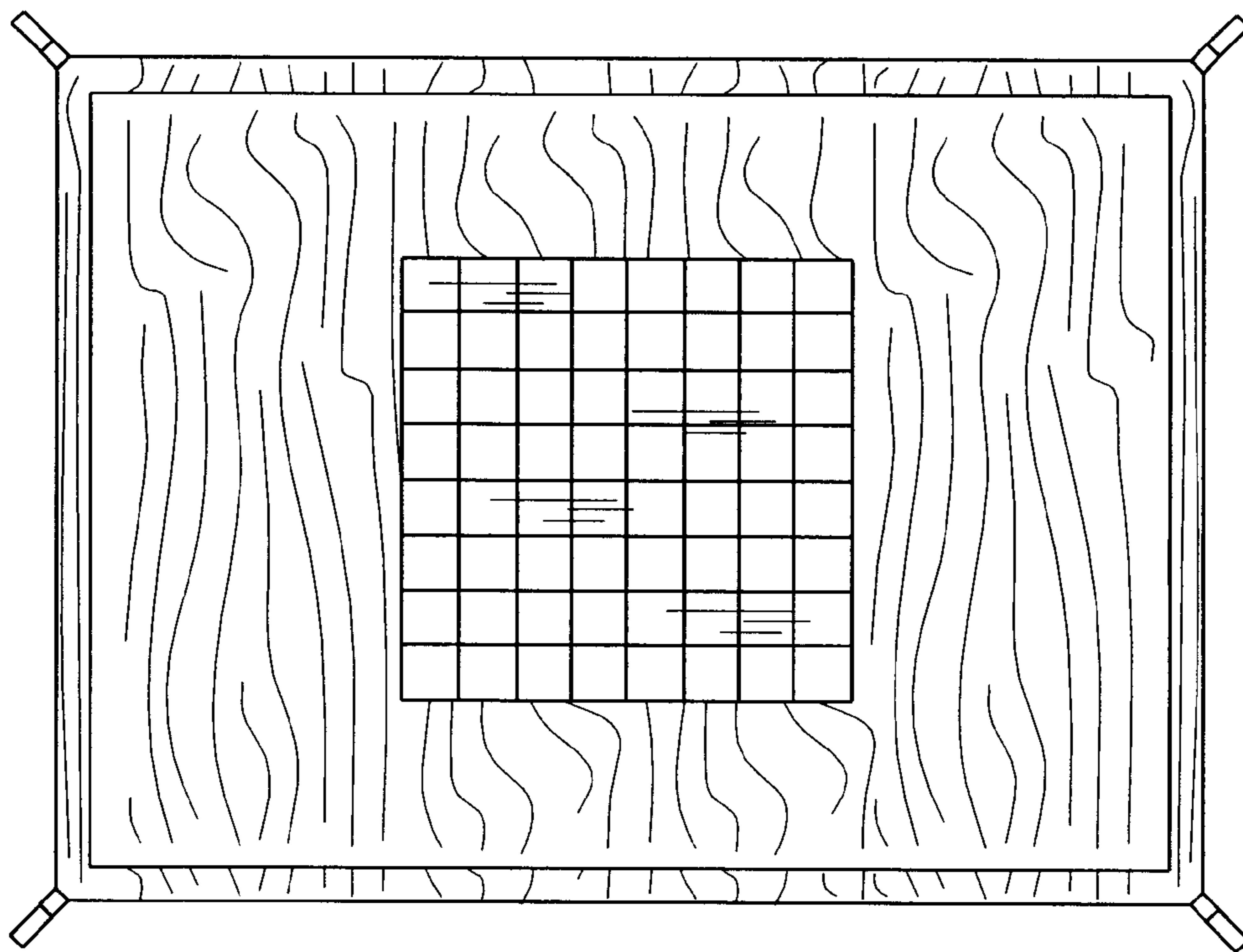


FIG. 5

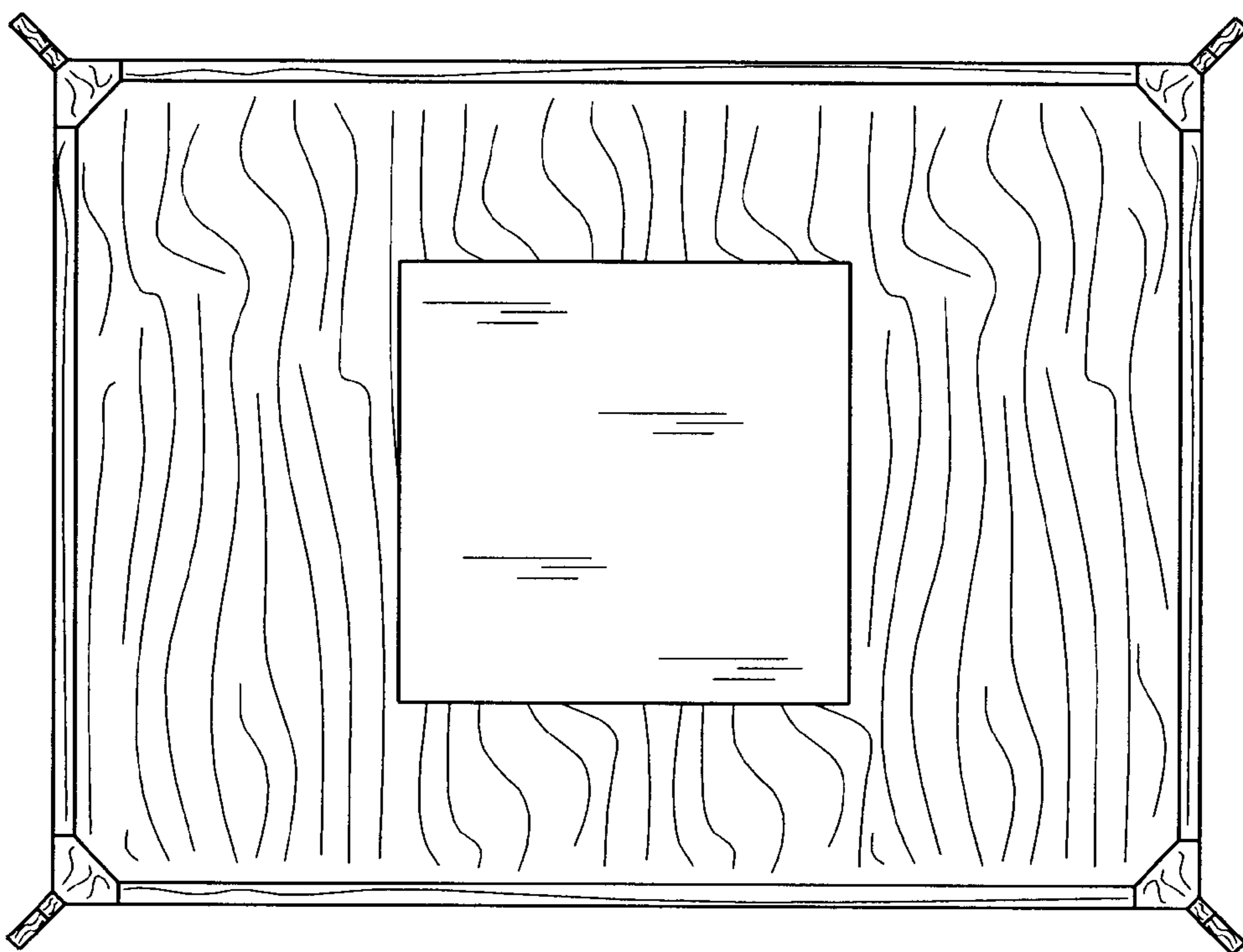


FIG. 6

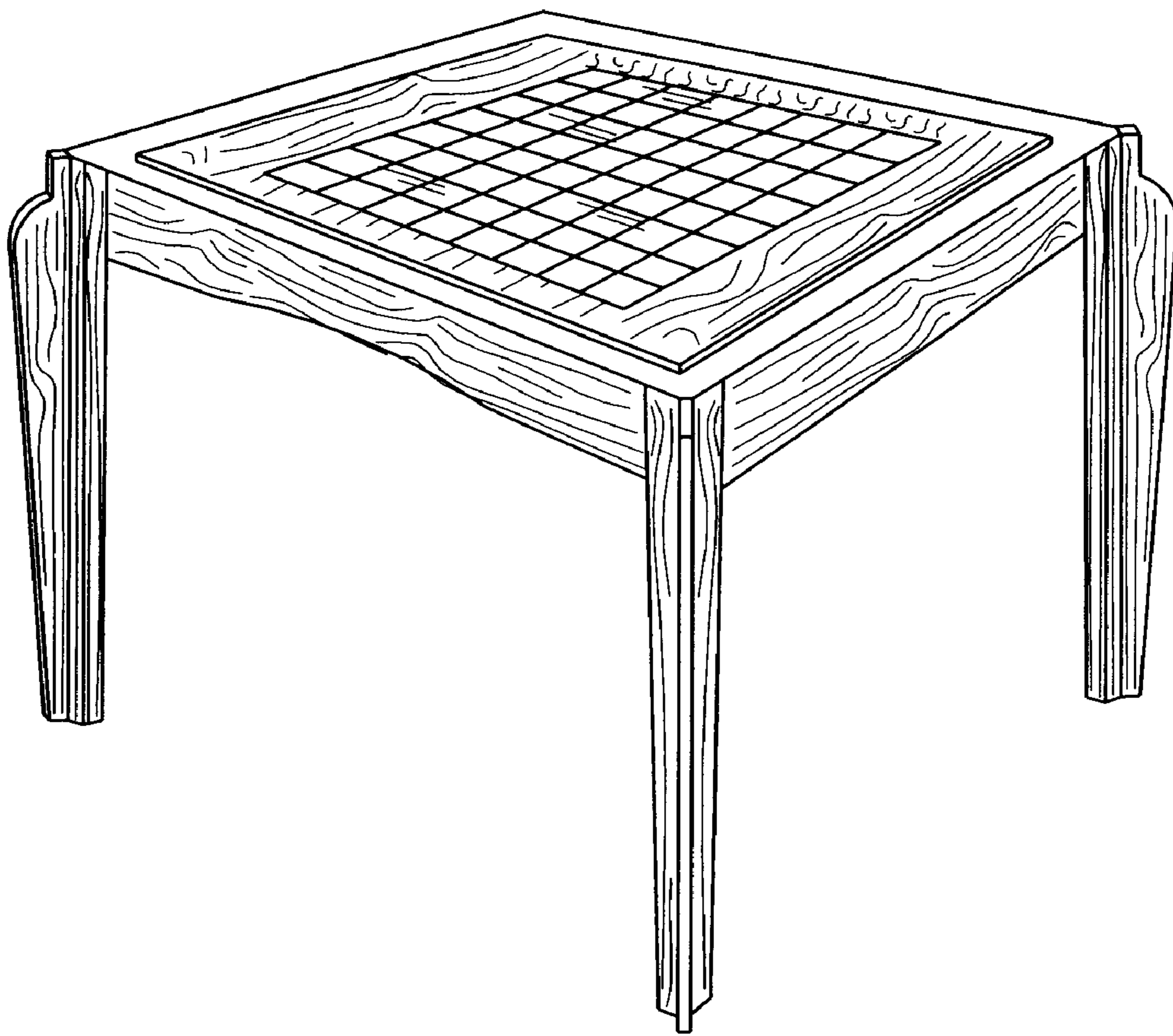


FIG. 7