



US00D534375S

(12) **United States Design Patent**
Sparkowski

(10) **Patent No.:** **US D534,375 S**
(45) **Date of Patent:** **** Jan. 2, 2007**

(54) **FLOOR SPINNER RACK**

(75) Inventor: **Robert P. Sparkowski**, Schaumburg, IL (US)

(73) Assignee: **Chicago Display Marketing Corporation**, River Grove, IL (US)

(**) Term: **14 Years**

(21) Appl. No.: **29/258,938**

(22) Filed: **Apr. 28, 2006**

D325,480 S	*	4/1992	Krautsack	D6/457
5,240,127 A	*	8/1993	Levin et al.	211/186
D369,036 S		4/1996	Wyatt et al.		
D369,037 S	*	4/1996	Wyatt et al.	D6/465
5,704,497 A		1/1998	Wyatt		
D435,743 S	*	1/2001	Glauth et al.	D6/465
D451,024 S	*	11/2001	Glauth et al.	D6/465
D478,739 S		8/2003	Sparkowski		
D478,745 S		8/2003	Sparkowski		
D486,982 S	*	2/2004	Hessell	D6/479
6,729,484 B1		5/2004	Sparkowski		
D497,738 S		11/2004	Sparkowski		
D500,419 S		1/2005	Sparkowski		
6,918,498 B1		7/2005	Sparkowski		

Related U.S. Application Data

(62) Division of application No. 29/199,827, filed on Feb. 19, 2004.

(51) **LOC (8) Cl.** **06-01**

(52) **U.S. Cl.** **D6/465**

(58) **Field of Classification Search** D6/458,
D6/511, 465, 460, 463, 464, 461; 211/163,
211/34, 36, 37, 78, 166, 181.1, 205, 196,
211/144, 187, 133.5, 131.5

See application file for complete search history.

* cited by examiner

Primary Examiner—Caron D. Veynar
Assistant Examiner—Sydney R. Buffalow

(74) *Attorney, Agent, or Firm*—Jansson, Shupe, Munger & Antaramian, Ltd.

(57) **CLAIM**

The ornamental design of the floor spinner rack, as shown and described.

DESCRIPTION

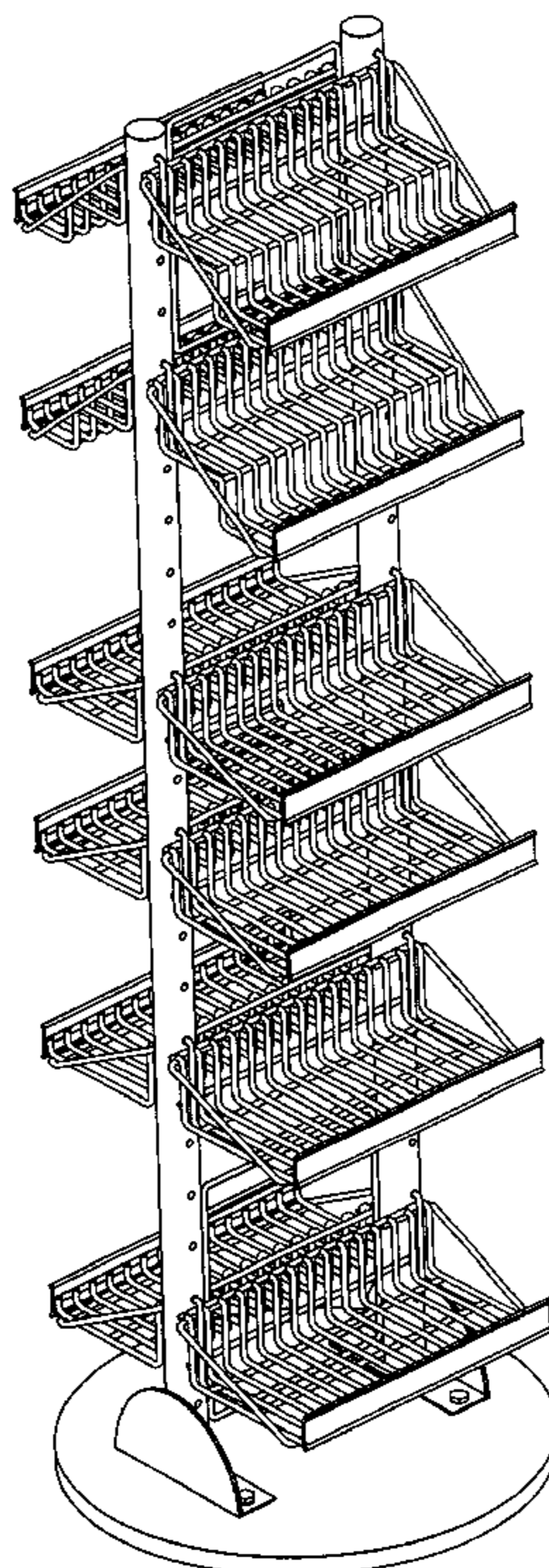
FIG. 1 is perspective view of the floor spinner rack;
FIG. 2 is a front view of the floor spinner rack;
FIG. 3 is a back view of the floor spinner rack;
FIG. 4 is one side view of the floor spinner rack;
FIG. 5 is the other side view of the floor spinner rack;
FIG. 6 is a top view of the floor spinner rack; and,
FIG. 7 is a bottom view of the floor spinner rack.

(56) **References Cited**

U.S. PATENT DOCUMENTS

D190,107 S	4/1961	Glaser	
D259,161 S	5/1981	Thauer	
D282,127 S	* 1/1986	Weiller D6/476
D288,038 S	2/1987	Henning	
D315,459 S	* 3/1991	Young et al. D6/465
D317,094 S	* 5/1991	Weinberg et al. D6/463

1 Claim, 4 Drawing Sheets



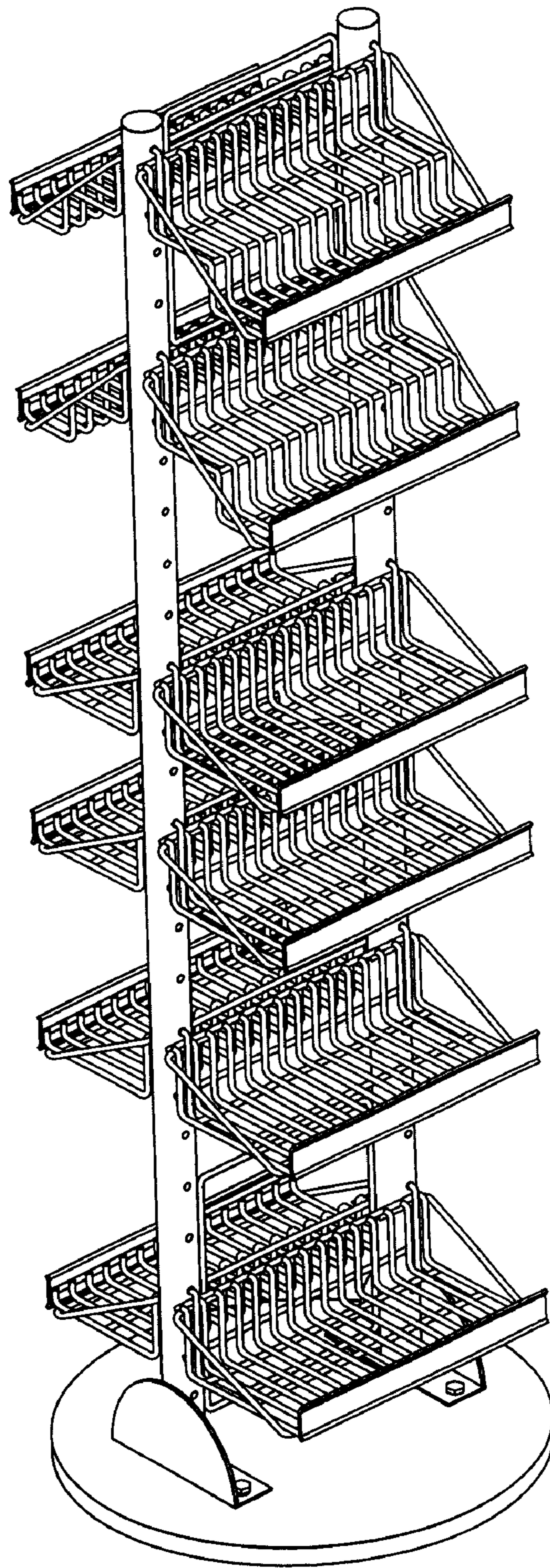


FIG.1

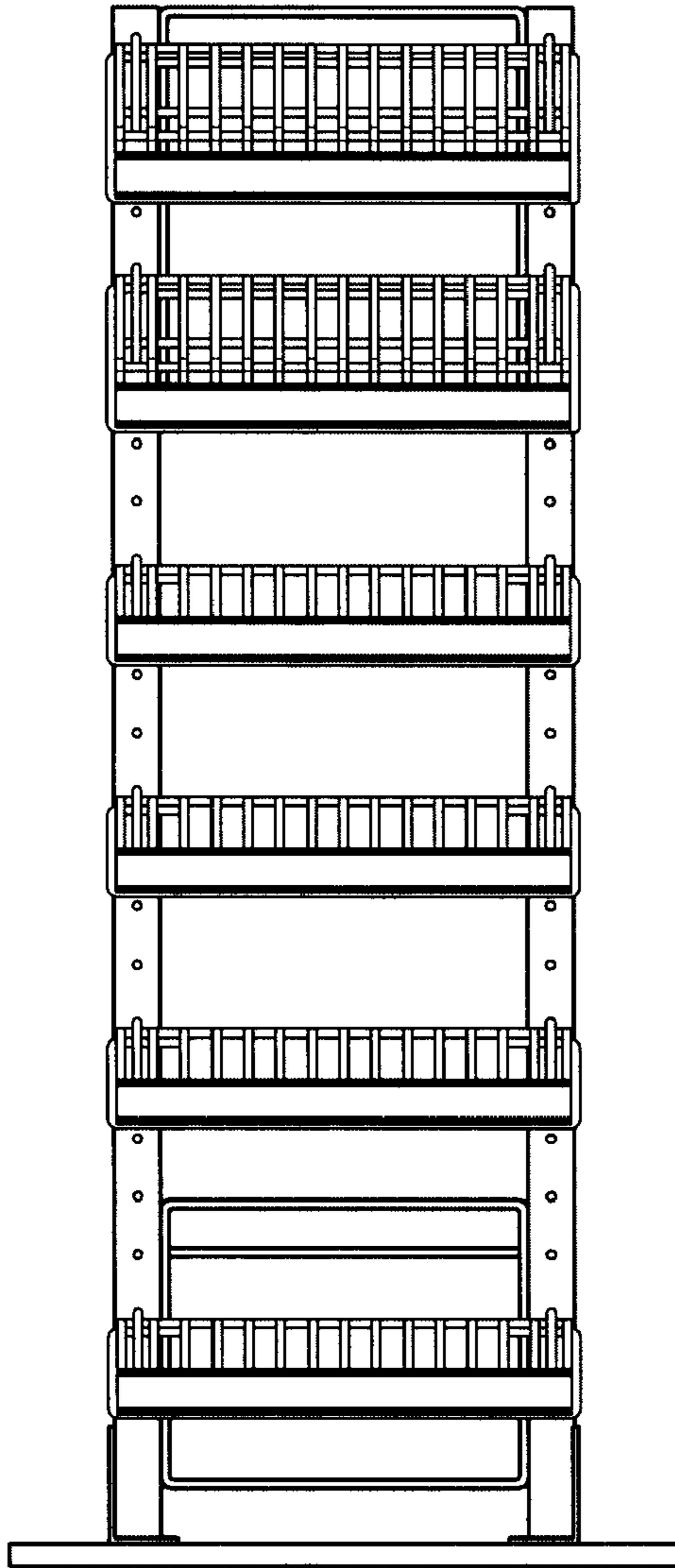


FIG. 2

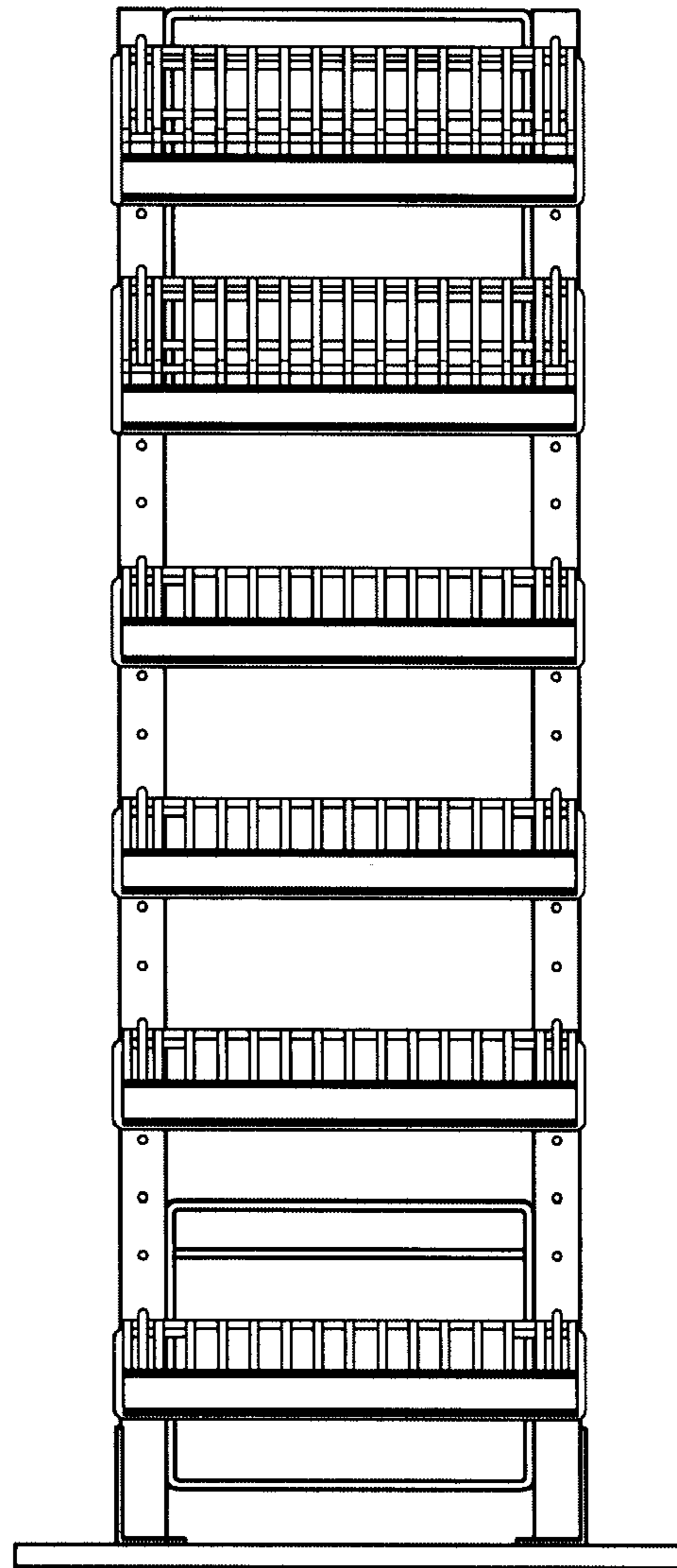


FIG. 3

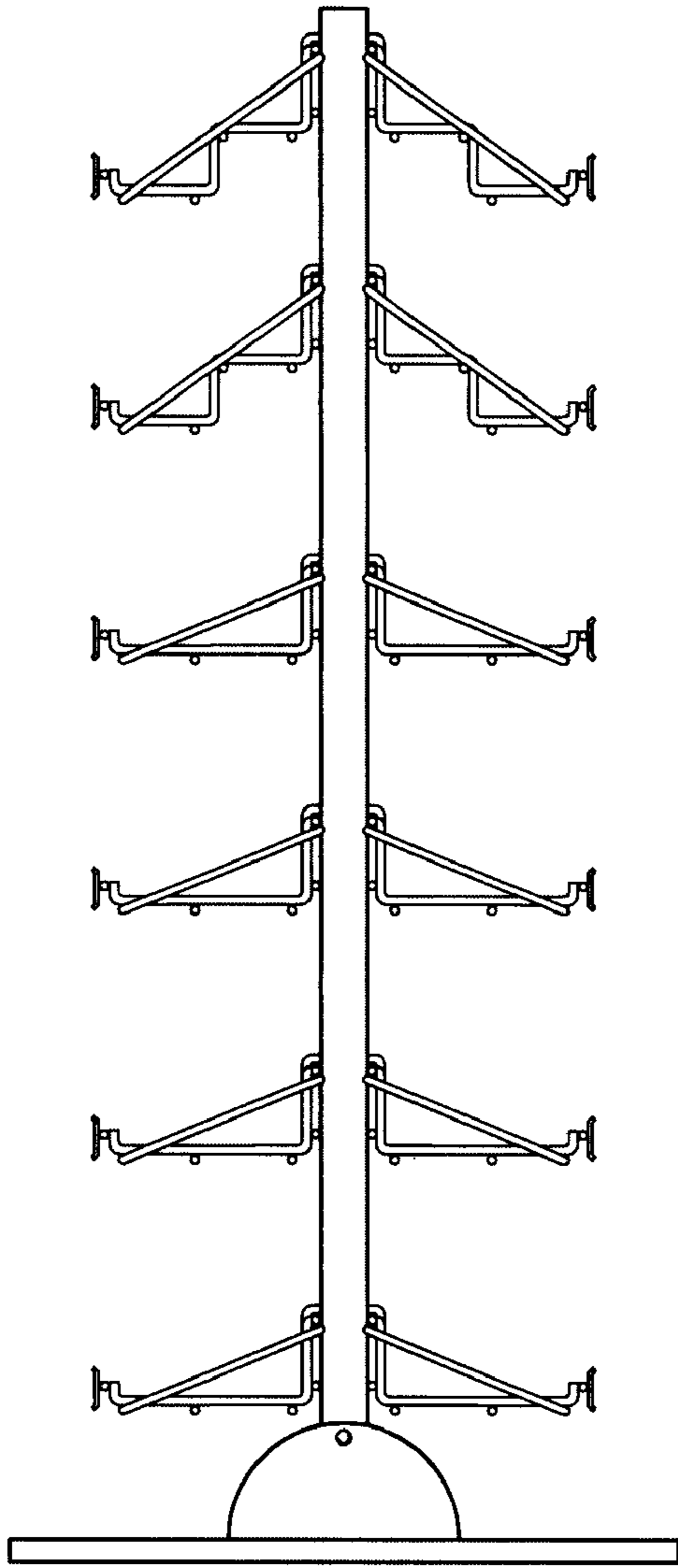


FIG. 4

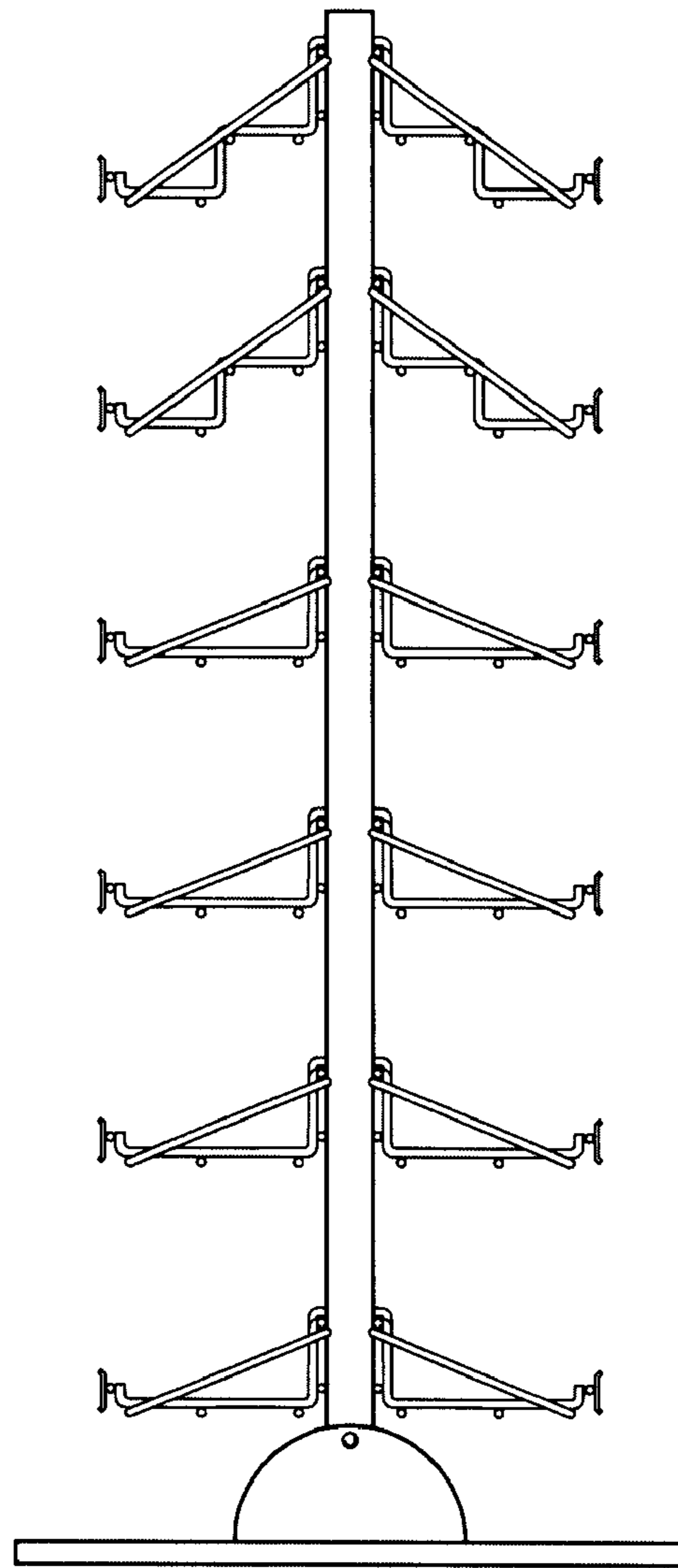


FIG. 5

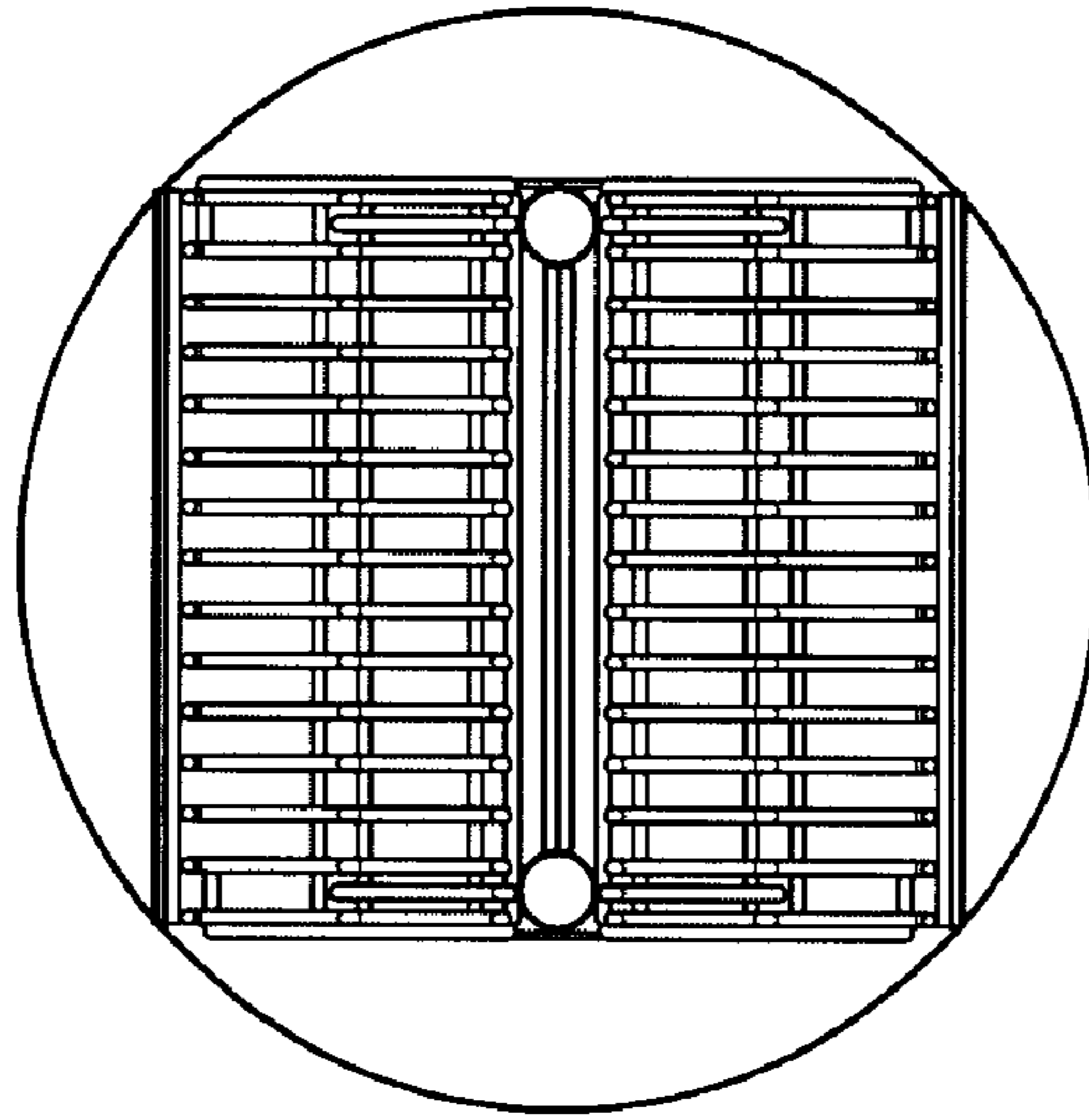


FIG. 6

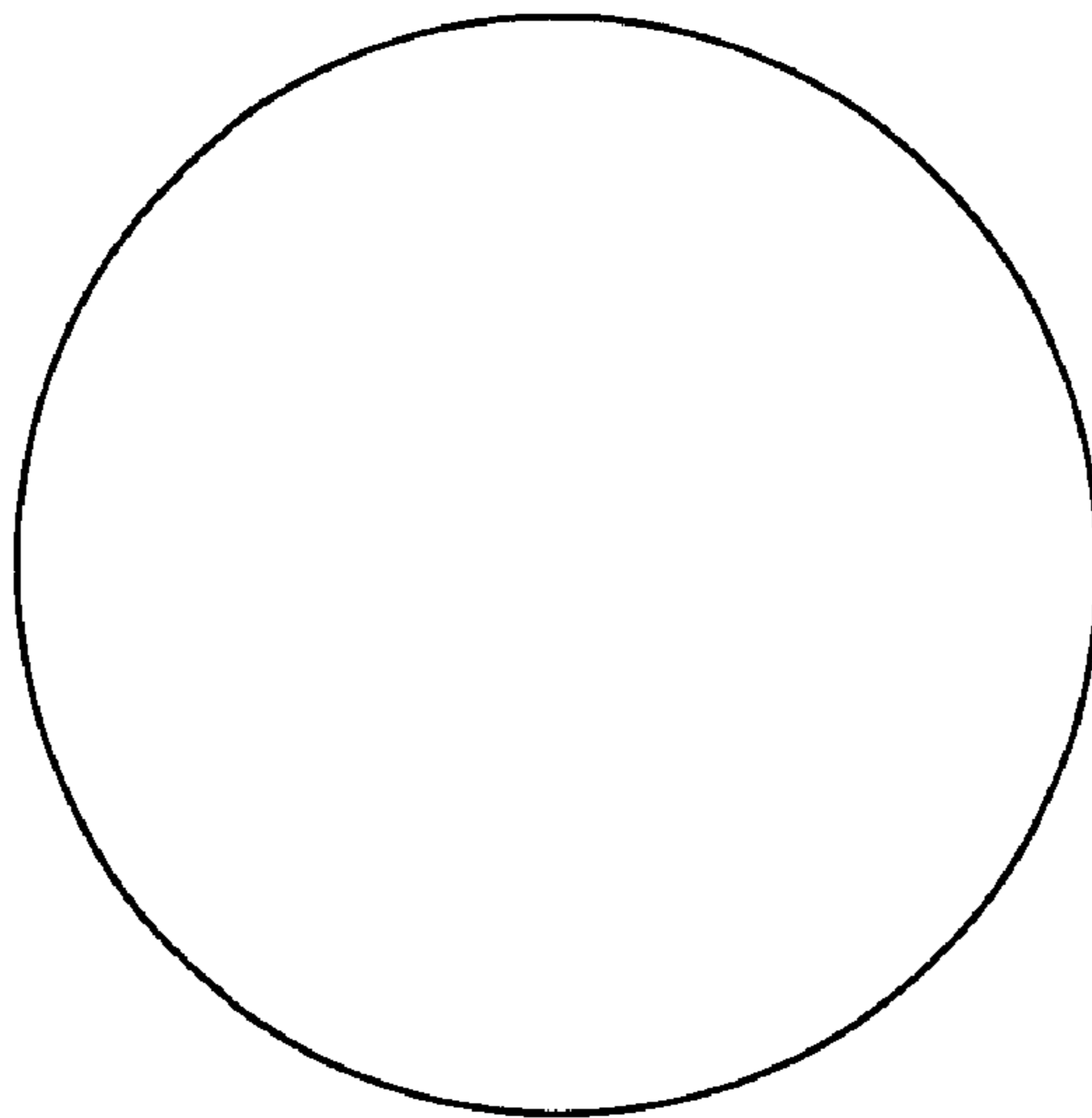


FIG. 7