



US00D534368S

(12) **United States Design Patent**
Karpinski

(10) **Patent No.:** **US D534,368 S**

(45) **Date of Patent:** **** Jan. 2, 2007**

(54) **REFRESHMENT STAND FOR SWIMMING POOLS**

(76) Inventor: **Joseph E. Karpinski**, 324 Third St.,
Carlstadt, NJ (US) 07072

(**) Term: **14 Years**

(21) Appl. No.: **29/208,545**

(22) Filed: **Jun. 30, 2004**

(51) **LOC (8) Cl.** **06-04**

(52) **U.S. Cl.** **D6/396; D6/555**

(58) **Field of Classification Search** D6/396,
D6/397, 449, 471, 480, 481, 553, 555; 108/18,
108/23, 25, 42, 47, 48; D15/79-81; D7/306;
D34/14, 25; 312/116

See application file for complete search history.

(56) **References Cited**

U.S. PATENT DOCUMENTS

2,246,432 A	6/1941	Cohen	311/22
3,125,040 A	3/1964	Roberson	108/18
3,162,495 A	* 12/1964	Swift	108/23
3,364,882 A	1/1968	Merrick	108/25
3,425,231 A	2/1969	Rehrer	61/69
3,624,732 A	11/1971	Bowden	108/50
4,122,780 A	10/1978	Brickman	108/25
4,384,857 A	5/1983	Hoy, Jr.	441/130
4,449,761 A	* 5/1984	Davis et al.	312/116
D278,193 S	* 4/1985	Boxall	D6/471
4,850,282 A	7/1989	Postic	108/47
4,893,363 A	1/1990	Huff	4/496
D326,024 S	* 5/1992	Boyd et al.	D6/480

5,273,468 A	12/1993	Nichols	441/6
D345,840 S	* 4/1994	Serrano	D34/25
5,333,322 A	8/1994	Weir	4/496
5,572,750 A	11/1996	Johnston	4/494
5,640,911 A	6/1997	Peters	108/26
5,823,121 A	10/1998	Reiter	108/147.19
D406,474 S	3/1999	Toledo et al.	D6/362
6,209,147 B1	4/2001	Wheaton	4/496
D443,745 S	* 6/2001	Mount	D34/14
6,253,950 B1	7/2001	Buck et al.	220/560
6,260,566 B1	7/2001	LaFave et al.	135/88.01
6,276,382 B1	8/2001	Bindschatel et al.	135/96
6,474,244 B1	11/2002	Karpinski	108/42
6,931,998 B1	* 8/2005	Leese	108/42

* cited by examiner

Primary Examiner—Robert M. Spear

Assistant Examiner—Mary Ann Calabrese

(74) *Attorney, Agent, or Firm*—McCarter & English, LLP

(57) **CLAIM**

What is claimed is the ornamental design for a refreshment stand for swimming pools, as shown and described.

DESCRIPTION

FIG. 1 is a perspective view of the refreshment stand for swimming pools of the present invention; FIG. 2 is a side view thereof, the opposite side view being a mirror image thereof; FIG. 3 is a rear view thereof; FIG. 4 is a front view thereof; FIG. 5 is a top view thereof; and, FIG. 6 is a bottom view thereof.

1 Claim, 6 Drawing Sheets

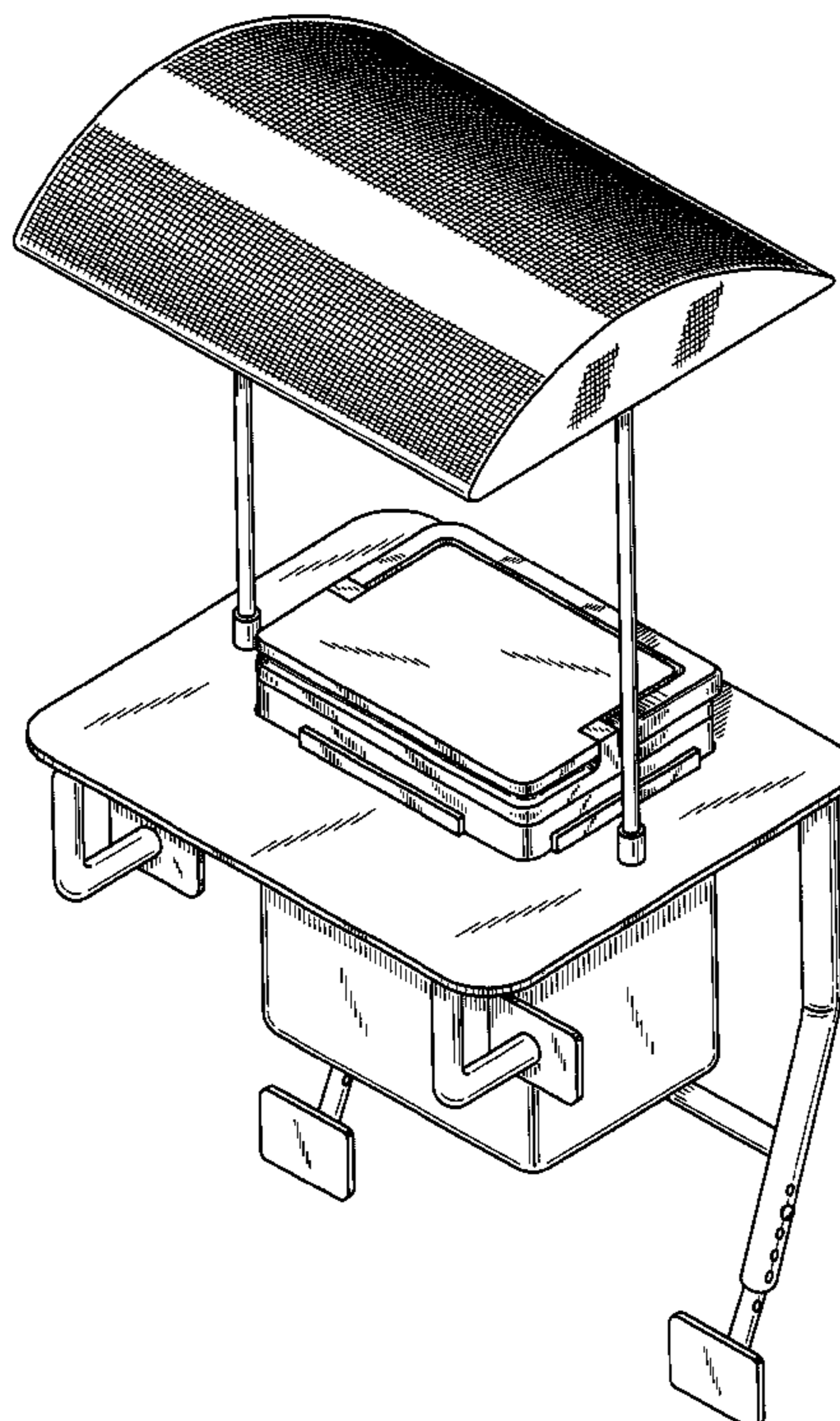


FIG. 1

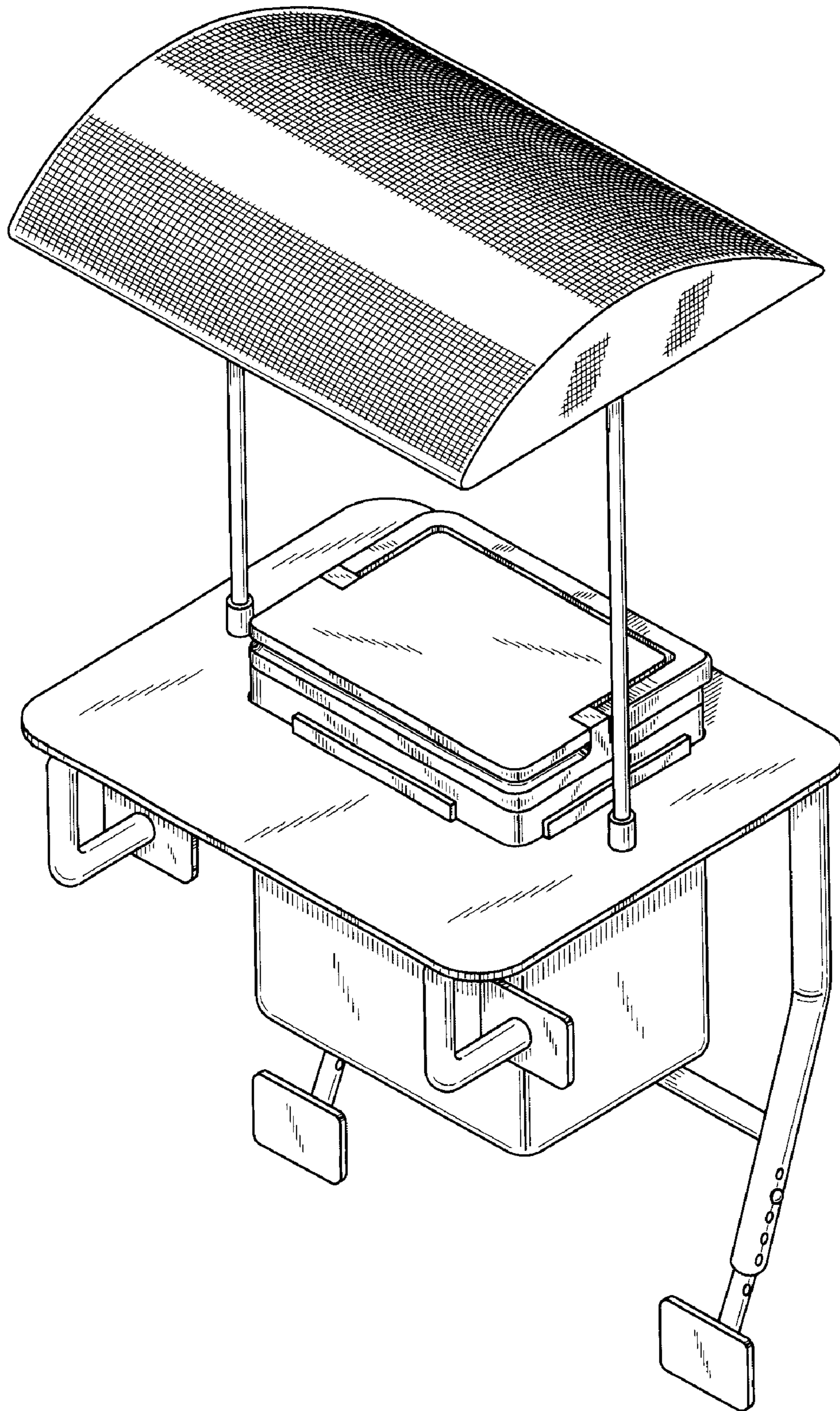


FIG. 2

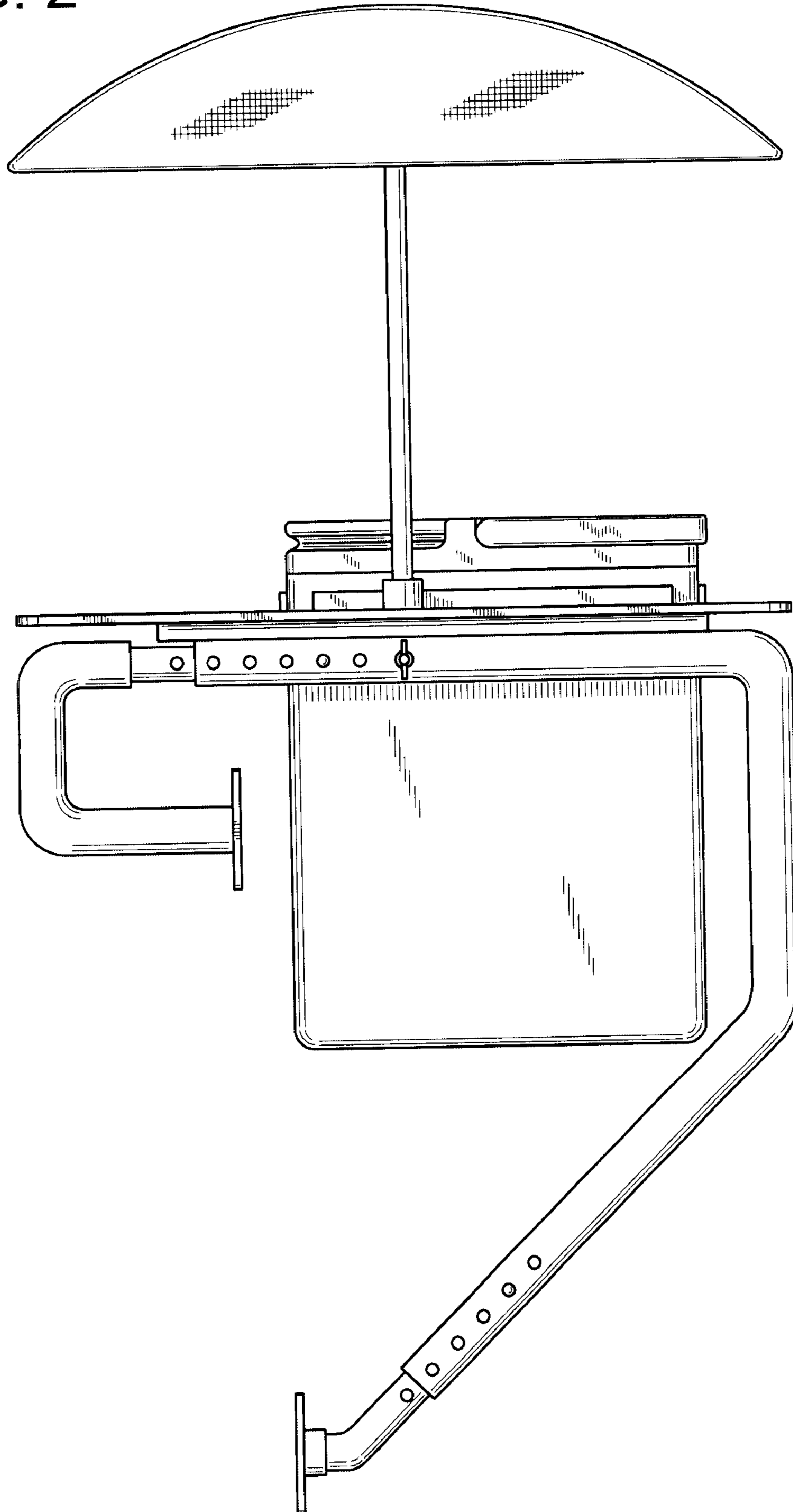


FIG. 3

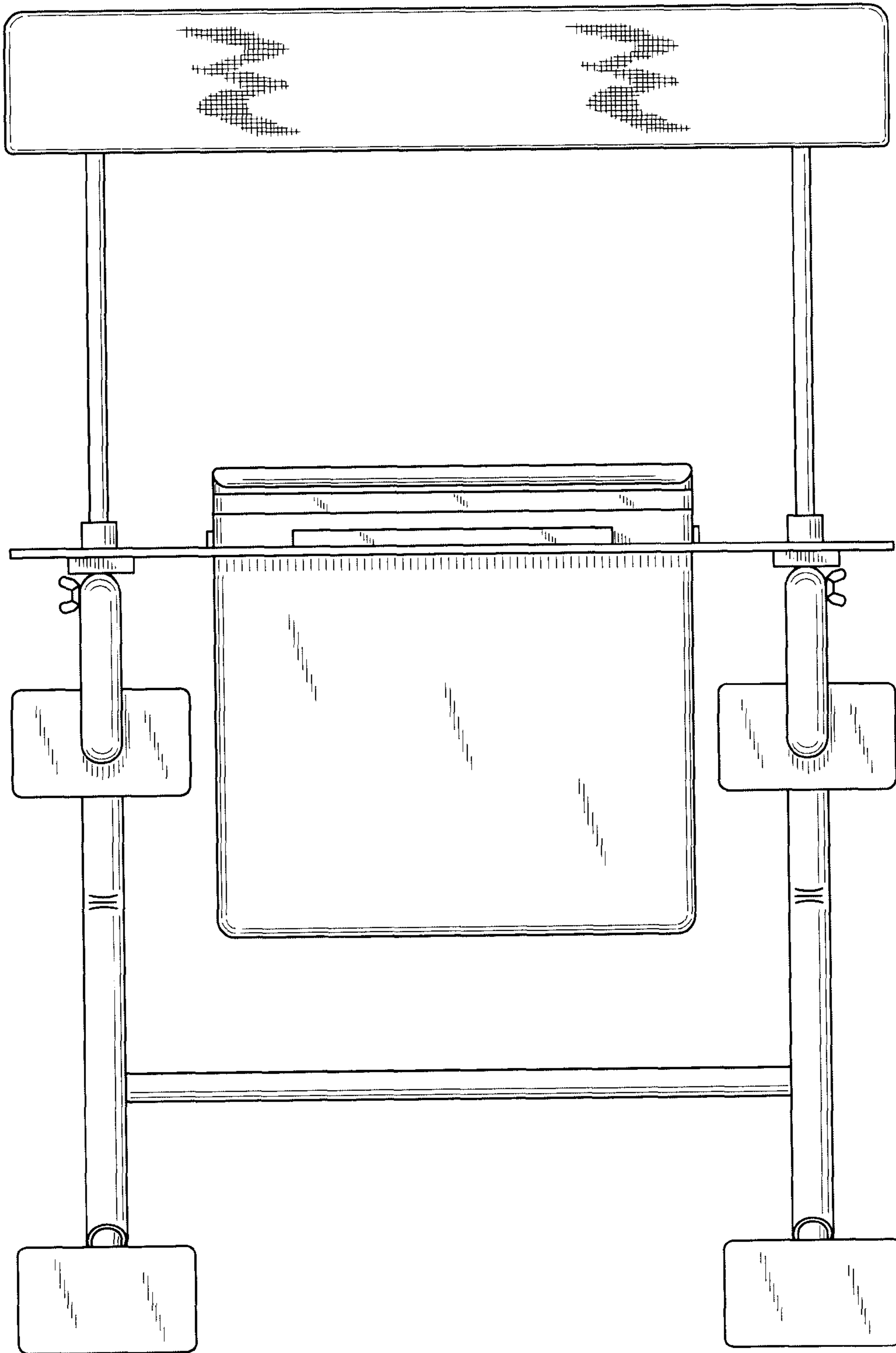


FIG. 4

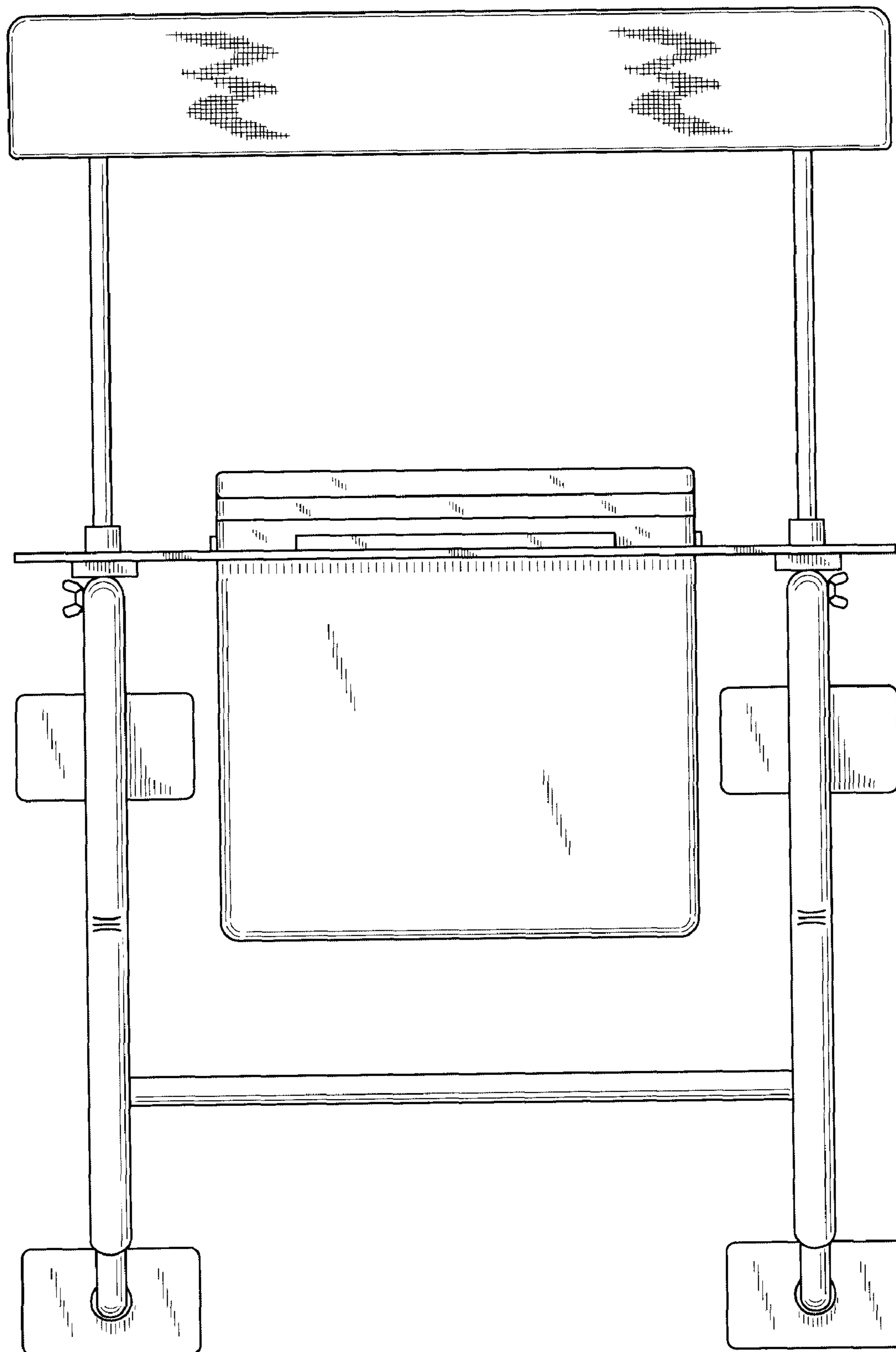


FIG. 5

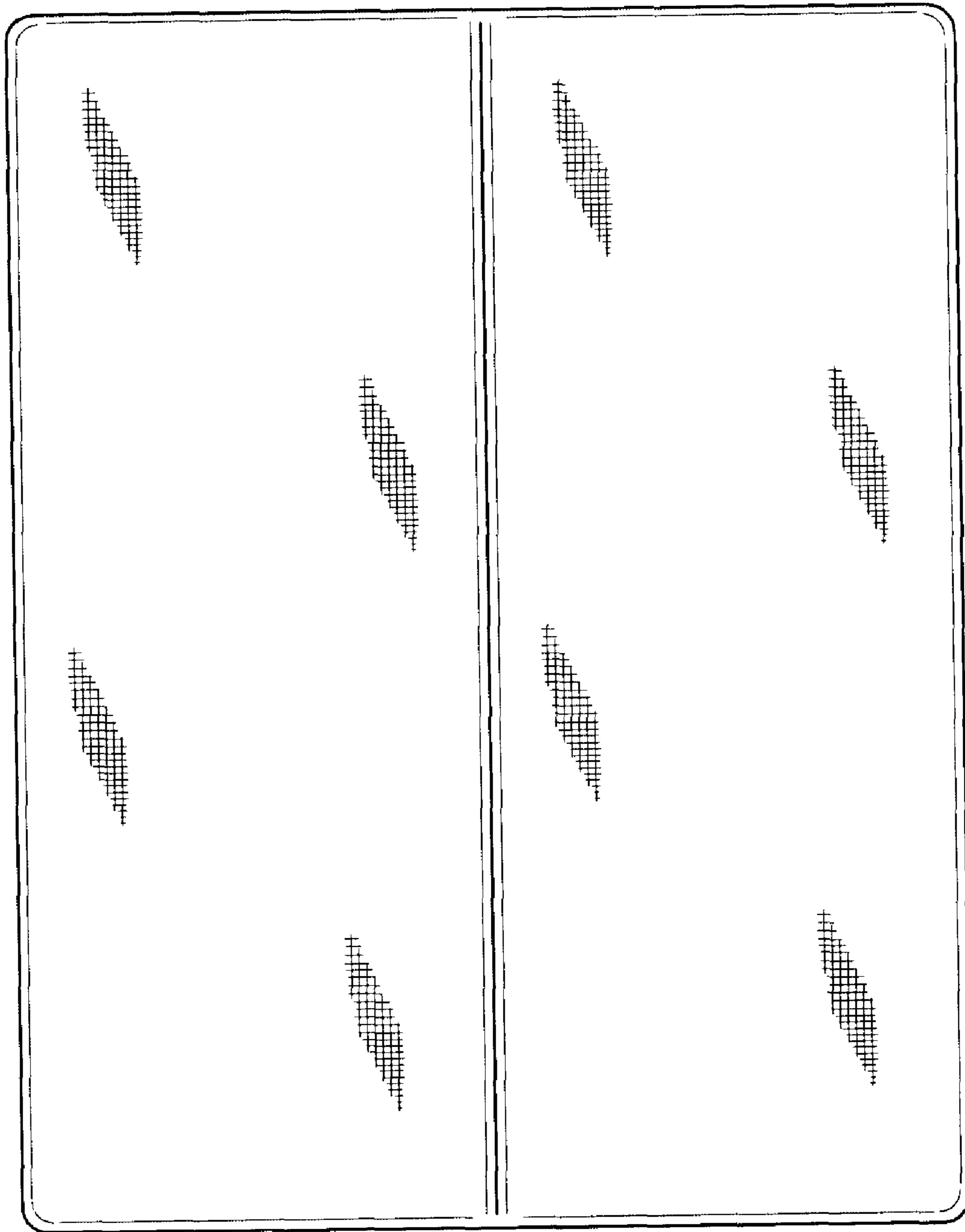


FIG. 6

