



US00D534364S

(12) **United States Design Patent**
Loew et al.

(10) **Patent No.:** **US D534,364 S**
(45) **Date of Patent:** **** Jan. 2, 2007**

- (54) **SEATING UNIT HAVING ARMRESTS**
- (75) Inventors: **Glen Oliver Loew**, Hamburg (DE);
Kurt R. Heidmann, Grand Rapids, MI (US)
- (73) Assignee: **Steelcase Development Corporation**,
Caledonia, MI (US)
- (**) Term: **14 Years**

| | | |
|----|------------|---------|
| EP | 1044634 | 10/2000 |
| EP | 1059051 | 12/2000 |
| EP | 1287765 | 3/2003 |
| JP | 2003079474 | 9/2003 |
| JP | 2003079478 | 9/2003 |
| WO | WO 9816140 | 4/1998 |
| WO | WO 0022960 | 4/2000 |
| WO | WO 0074531 | 12/2000 |
| WO | WO 0178558 | 10/2001 |

- (21) Appl. No.: **29/230,400**
- (22) Filed: **May 20, 2005**

Related U.S. Application Data

- (62) Division of application No. 29/189,522, filed on Sep. 5, 2003, now Pat. No. Des. 509,969.
 - (51) **LOC (8) Cl.** **06-01**
 - (52) **U.S. Cl.** **D6/366**
 - (58) **Field of Classification Search** D6/334-336,
D6/364, 365, 367, 498, 500-502; 297/411.2,
297/411.27, 411.36, 452.29, 300.1, 300.4,
297/452.63
- See application file for complete search history.

(56) **References Cited**

U.S. PATENT DOCUMENTS

| | | |
|-------------|---------|-------------------|
| D180,975 S | 5/1957 | Umanoff |
| D240,375 S | 7/1976 | Buhk |
| D260,056 S | 8/1981 | Sapper |
| D266,804 S | 11/1982 | Zapf |
| D327,781 S | 7/1992 | Citterio |
| D327,782 S | 7/1992 | Citterio |
| 5,318,347 A | 6/1994 | Tseng |
| D410,799 S | 6/1999 | Meda |
| 5,997,093 A | 12/1999 | Gollin et al. |
| 6,076,892 A | 6/2000 | van Hekken et al. |

(Continued)

FOREIGN PATENT DOCUMENTS

EP 0836819 4/1998

OTHER PUBLICATIONS

Exhibit A is a print-out from a website "cgi-ebay.com" disclosing an antique chair by designer, Hans J. Wegner, having a back cushion supported by spaced-apart back uprights and apparently having strips extending therebetween.

Chair: Soho Today. Apr. 2002.
Meda Executive Chair. Design within Reach.

Primary Examiner—Mimosa De
(74) *Attorney, Agent, or Firm*—Price, Heneveld, Cooper, DeWitt & Litton LLP

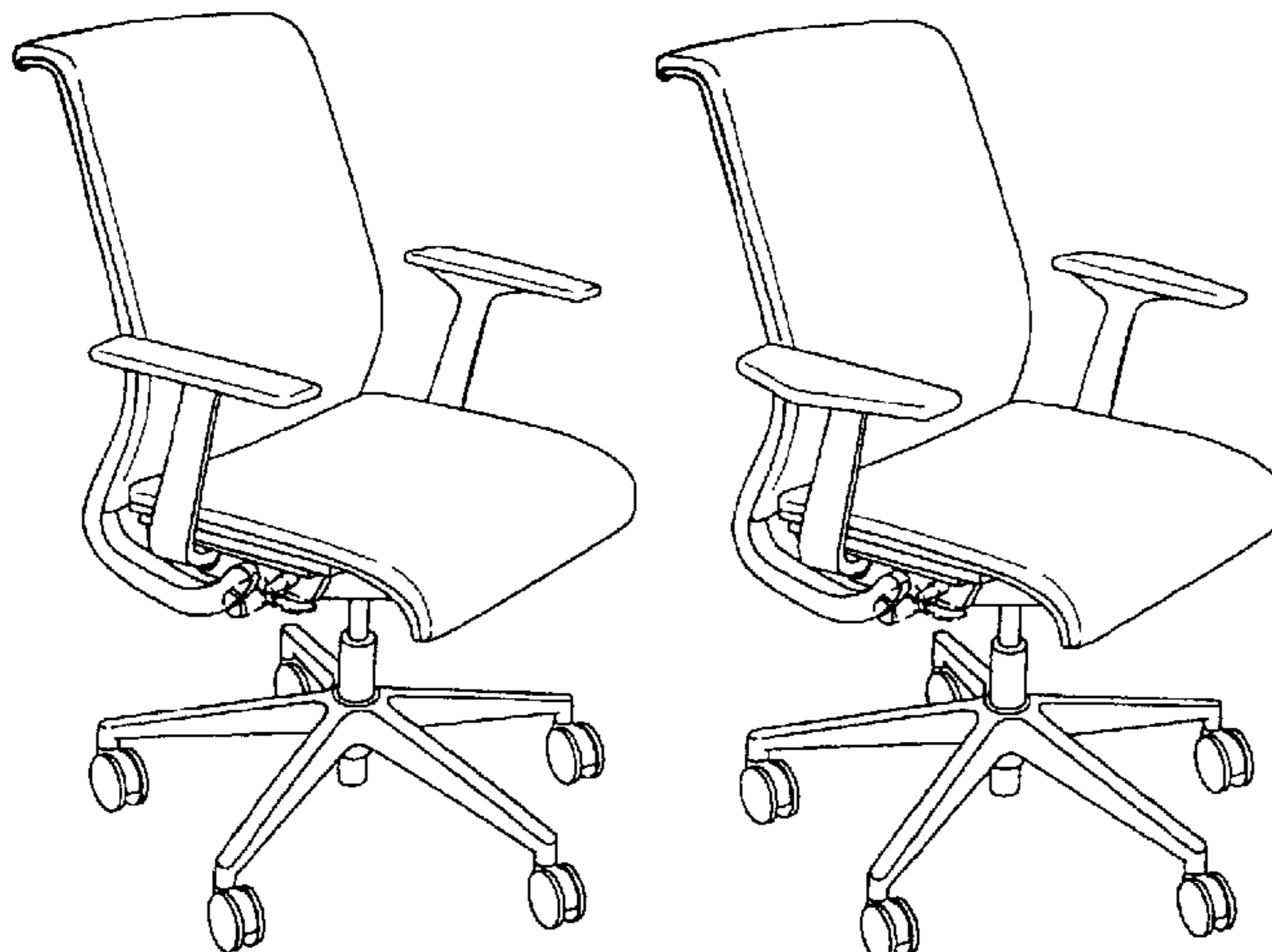
(57) **CLAIM**

We claim the ornamental design for a seating unit having armrests, as shown and described.

DESCRIPTION

FIGS. 1-2 are front and rear perspective views of a seating unit embodying the present invention;
FIGS. 3-8 are right, front, left, rear, top, and bottom views, respectively, of the seating unit shown in FIGS. 1-2.
FIGS. 9-10 are front and rear perspective views of a first embodiment seating unit; and,
FIGS. 11-16 are right, front, left, rear, top, and bottom views, respectively, of the seating unit shown in FIGS. 9-10.
The dashed lines in FIGS. 1-16 are to show the environment of the present articles, but do not form a part of the claimed invention.

1 Claim, 8 Drawing Sheets



US D534,364 S

Page 2

U.S. PATENT DOCUMENTS

| | | | | | | |
|--------------|---------|-------------------|-----------------|-----------|-----------------|------------------|
| 6,106,070 A | 8/2000 | Ritt et al. | D469,618 S | 2/2003 | Nagamitsu | |
| 6,149,236 A | 11/2000 | Brauning | D476,493 S | * 7/2003 | Nagamitsu | D6/366 |
| D436,259 S | 1/2001 | Nagamitsu | D476,820 S | 7/2003 | Nagamitsu | |
| D436,260 S | 1/2001 | Nagamitsu | D489,542 S | 5/2004 | Giugiaro | |
| D436,456 S | 1/2001 | Neil | D507,124 S | * 7/2005 | Yang | D6/366 |
| D437,132 S | 2/2001 | Nagamitsu | D509,671 S | * 9/2005 | Olson et al. | D6/366 |
| D437,497 S | 2/2001 | Brauning | D509,969 S | * 9/2005 | Loew et al. | D6/366 |
| D437,701 S | 2/2001 | Bellini et al. | 6,957,863 B1 | * 10/2005 | Heidmann et al. | 297/300.1 |
| D449,174 S | 10/2001 | Neil | 2002/0190561 A1 | 12/2002 | Phillips et al. | |
| D451,293 S | 12/2001 | Su | 2004/0051358 A1 | * 3/2004 | Bodnar et al. | 297/300.1 |
| D456,625 S | 5/2002 | Frenkler et al. | 2004/0245827 A1 | * 12/2004 | Bedford et al. | 297/300.1 |
| D457,739 S | 5/2002 | Pearce | 2004/0245839 A1 | * 12/2004 | Bodnar et al. | 297/452.63 |
| 6,394,553 B1 | 5/2002 | McAllister et al. | 2005/0029848 A1 | * 2/2005 | Heidmann et al. | 297/300.1 |
| 6,439,661 B1 | 8/2002 | Brauning | 2006/0006715 A1 | * 1/2006 | Chadwick et al. | 297/300.4 |
| D468,564 S | 1/2003 | Piretti et al. | | | | |

* cited by examiner

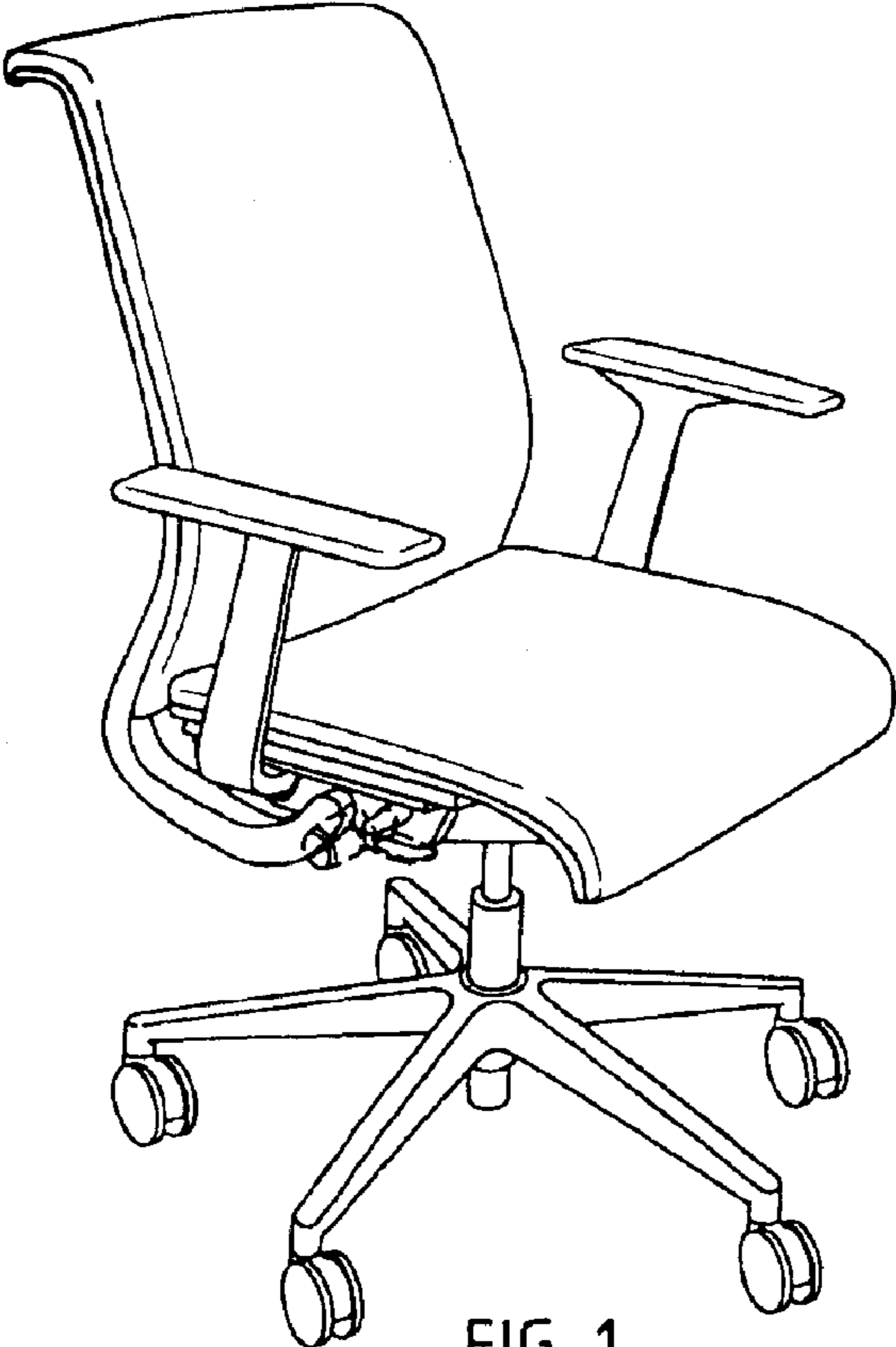


FIG. 1



FIG. 2

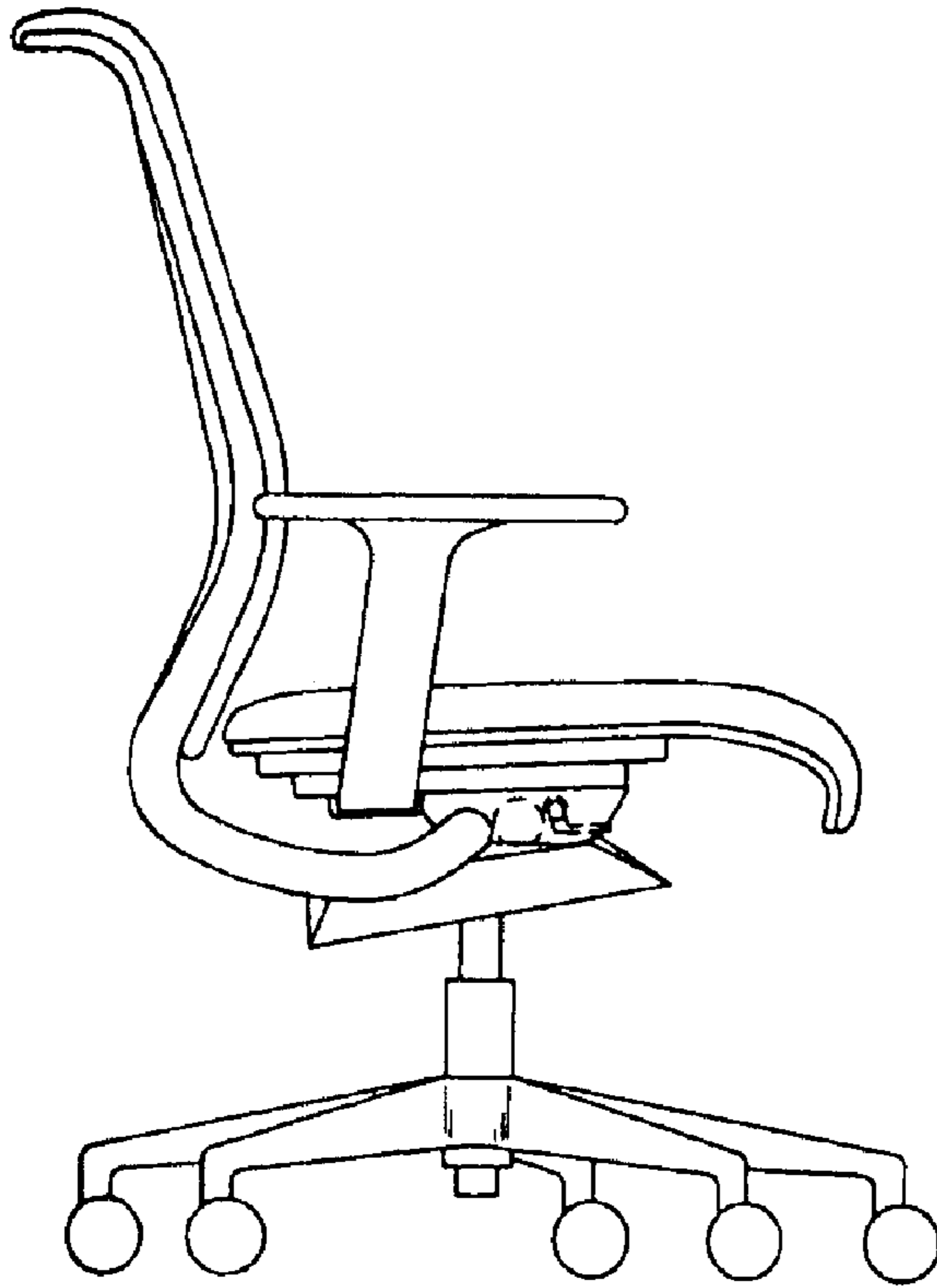


FIG. 3

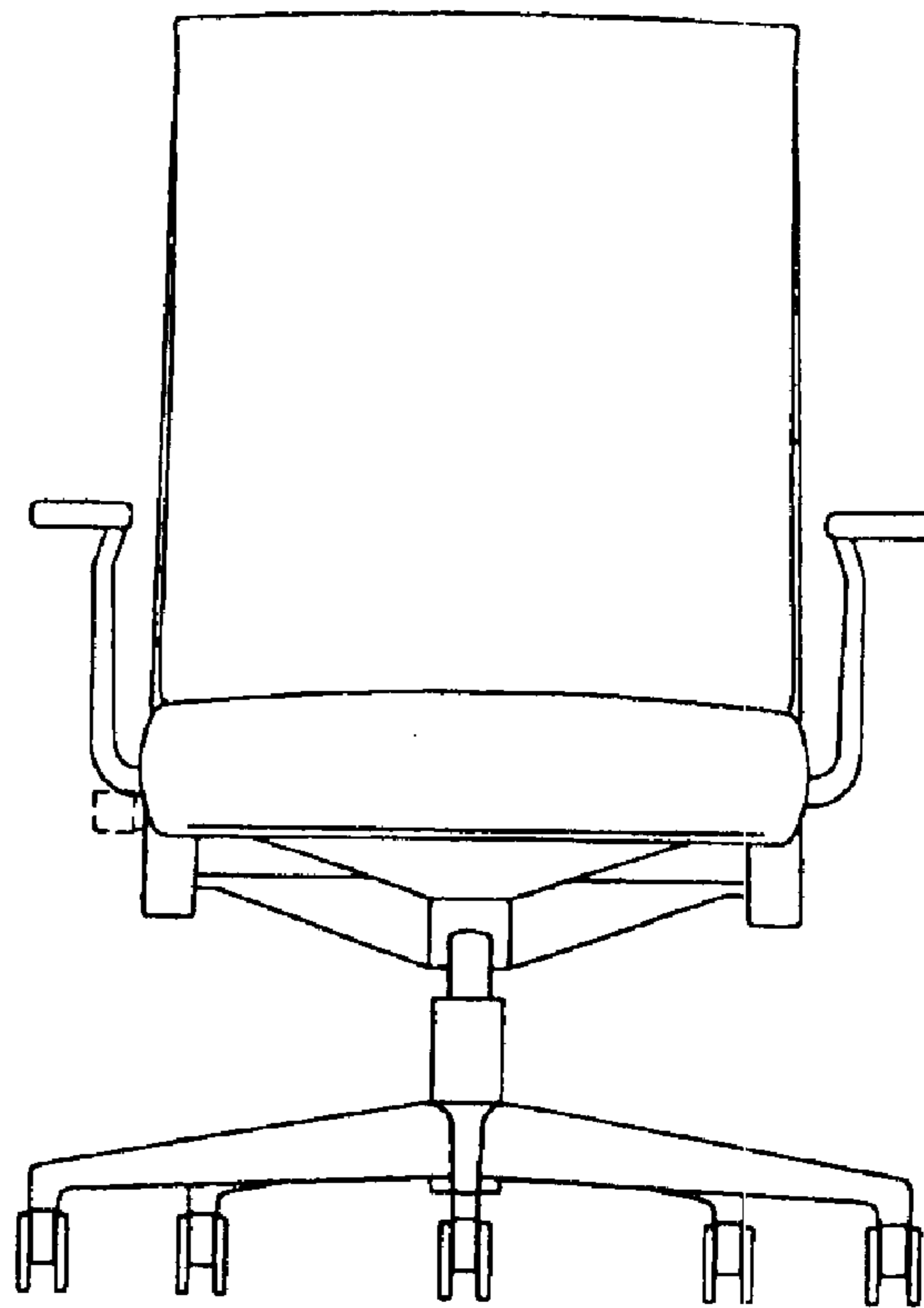


FIG. 4

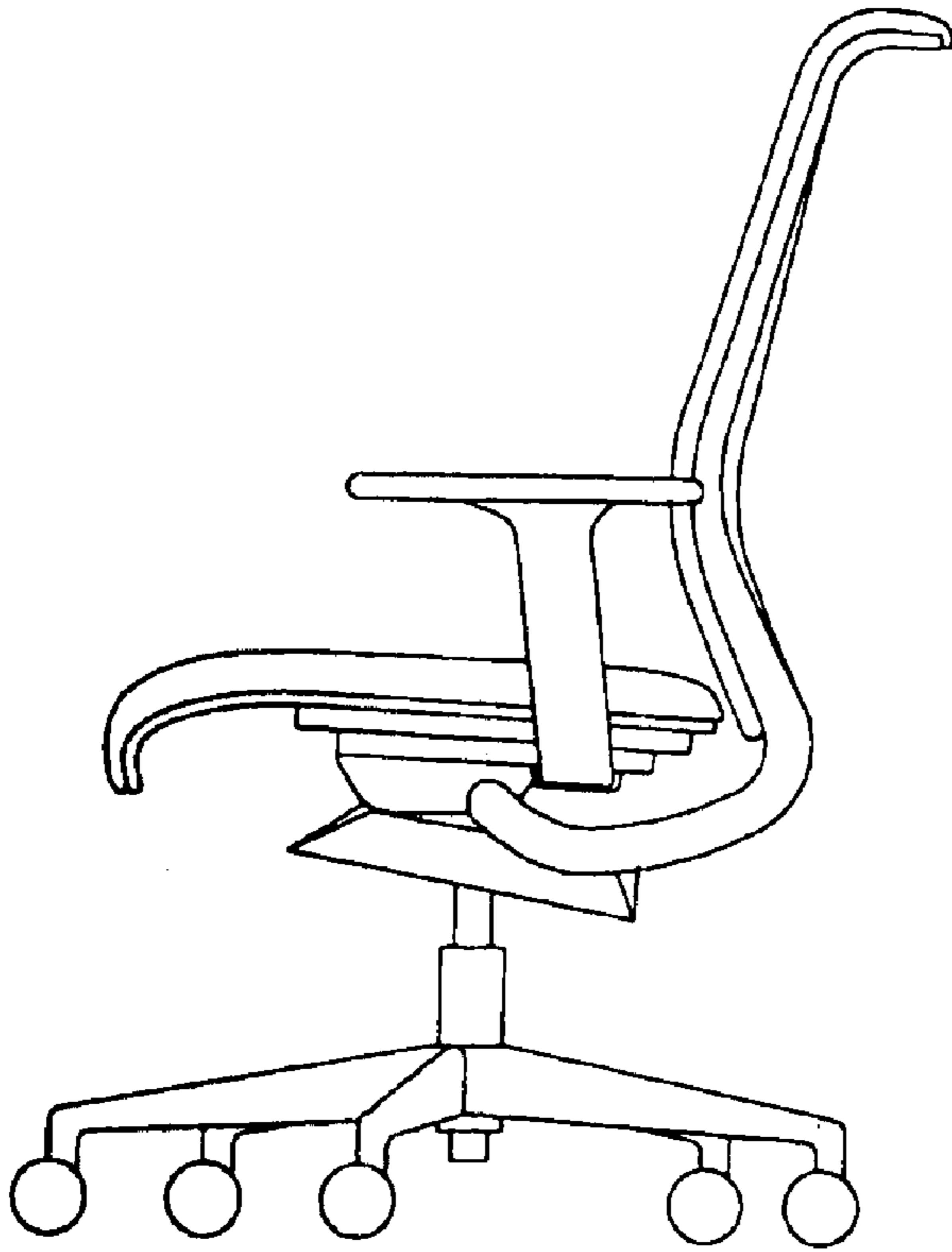


FIG. 5

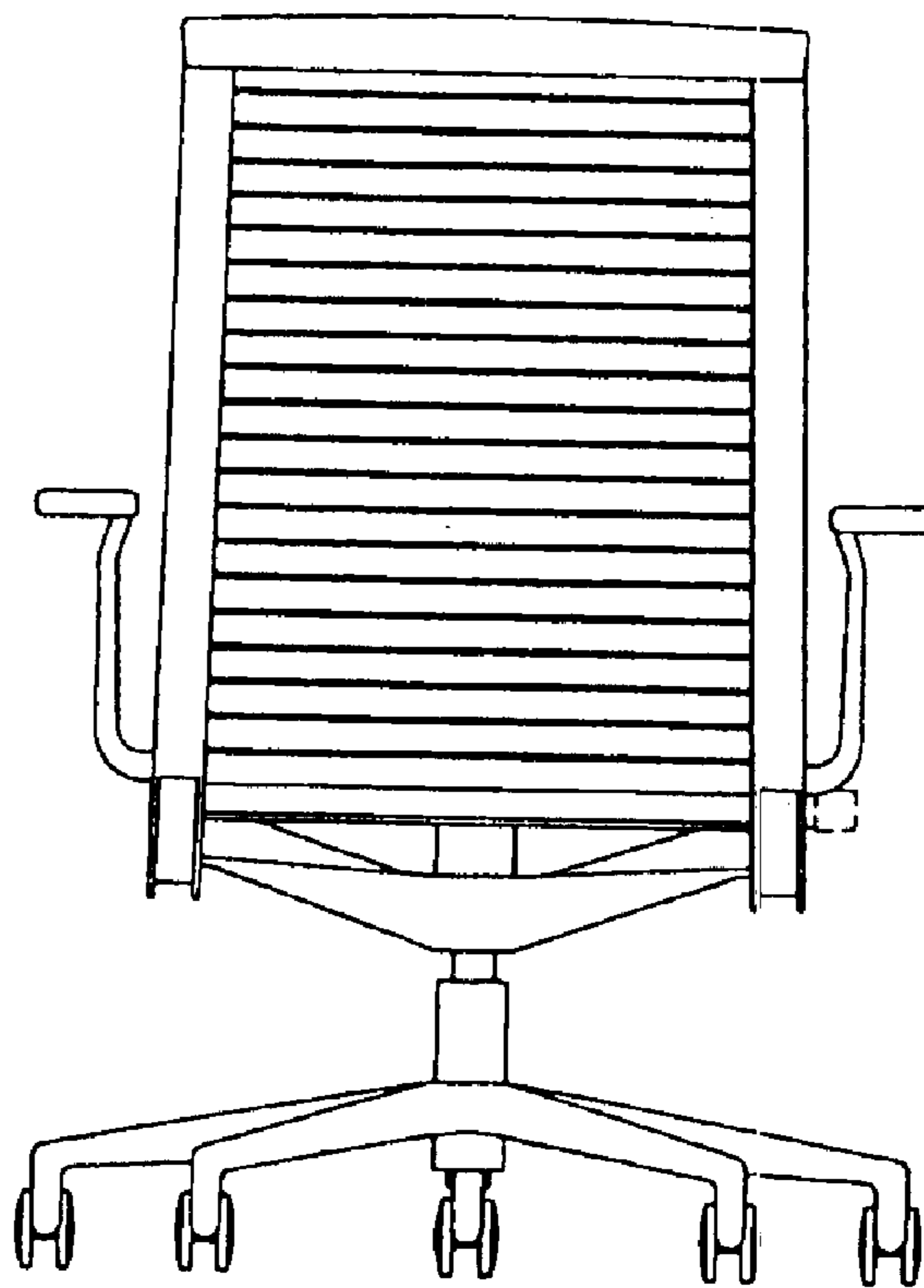


FIG. 6

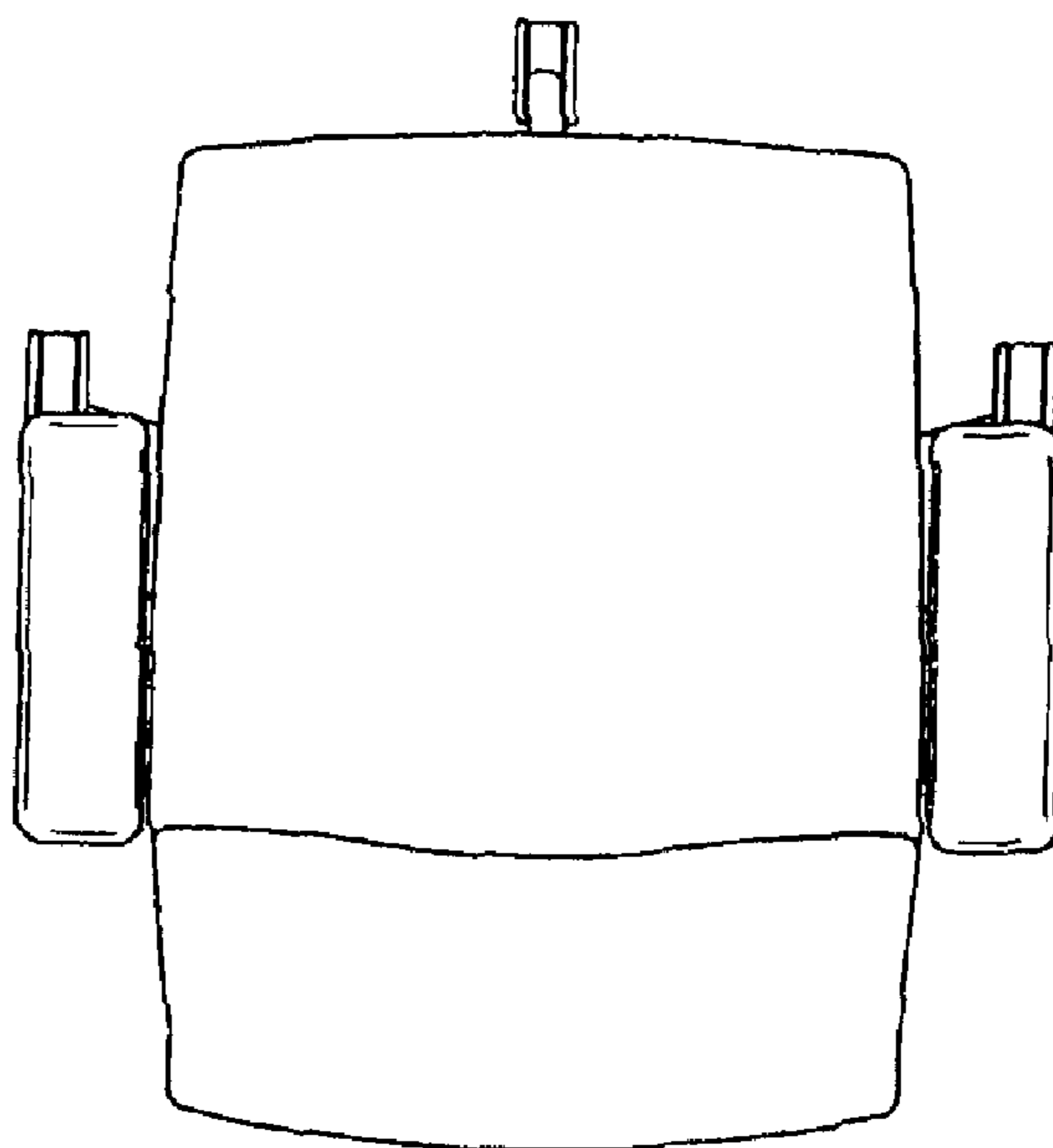


FIG. 7

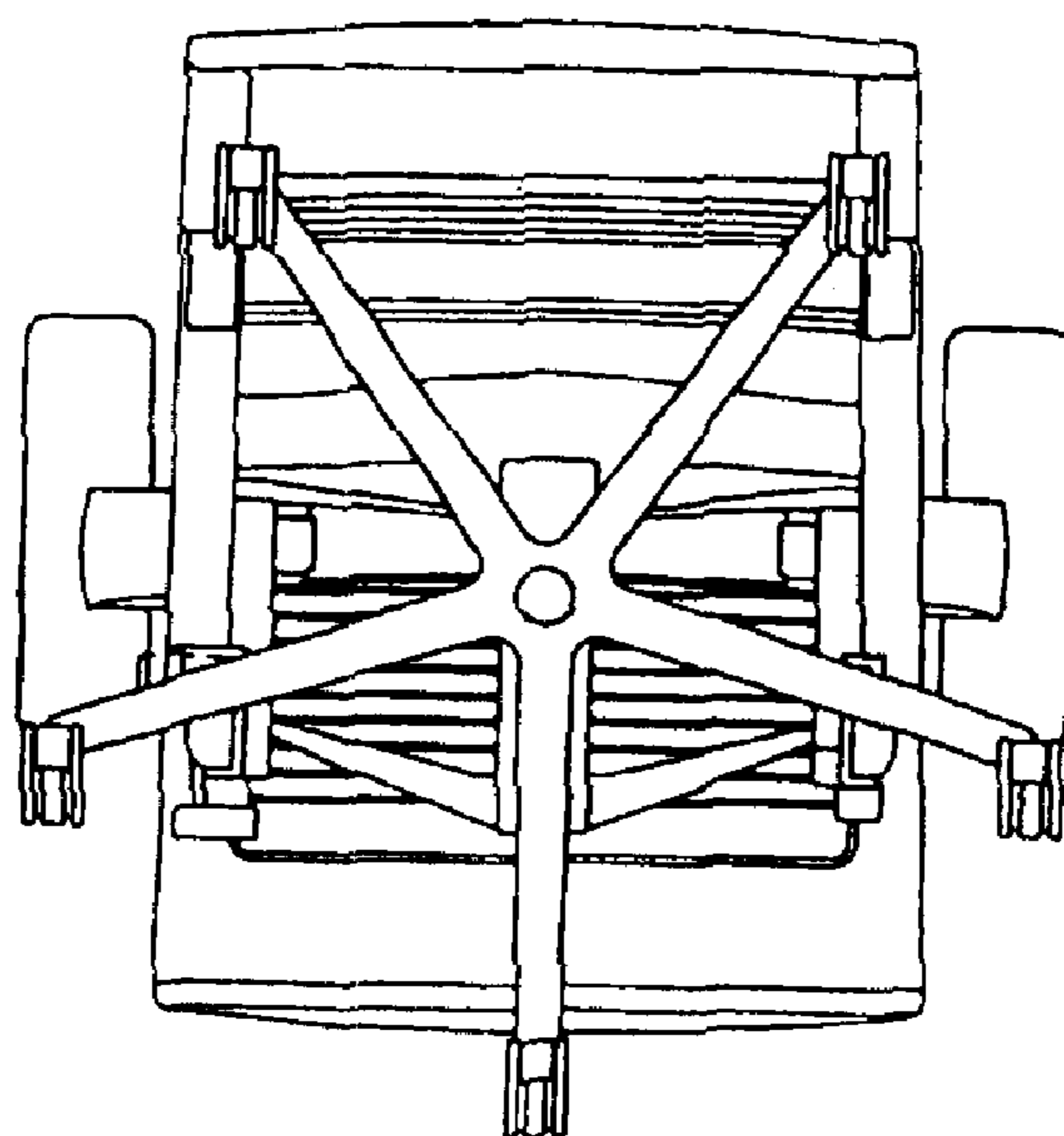


FIG. 8

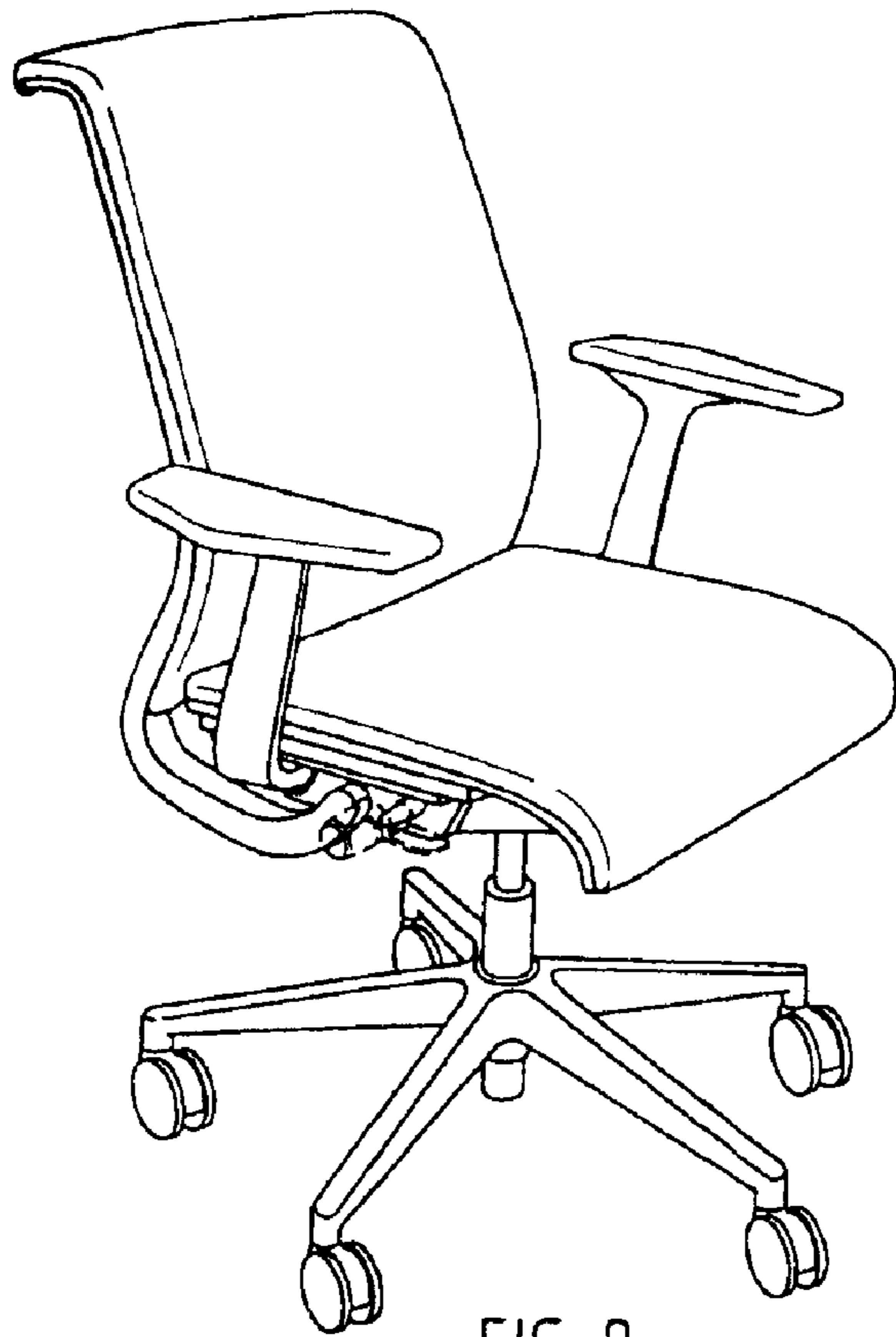


FIG. 9



FIG. 10

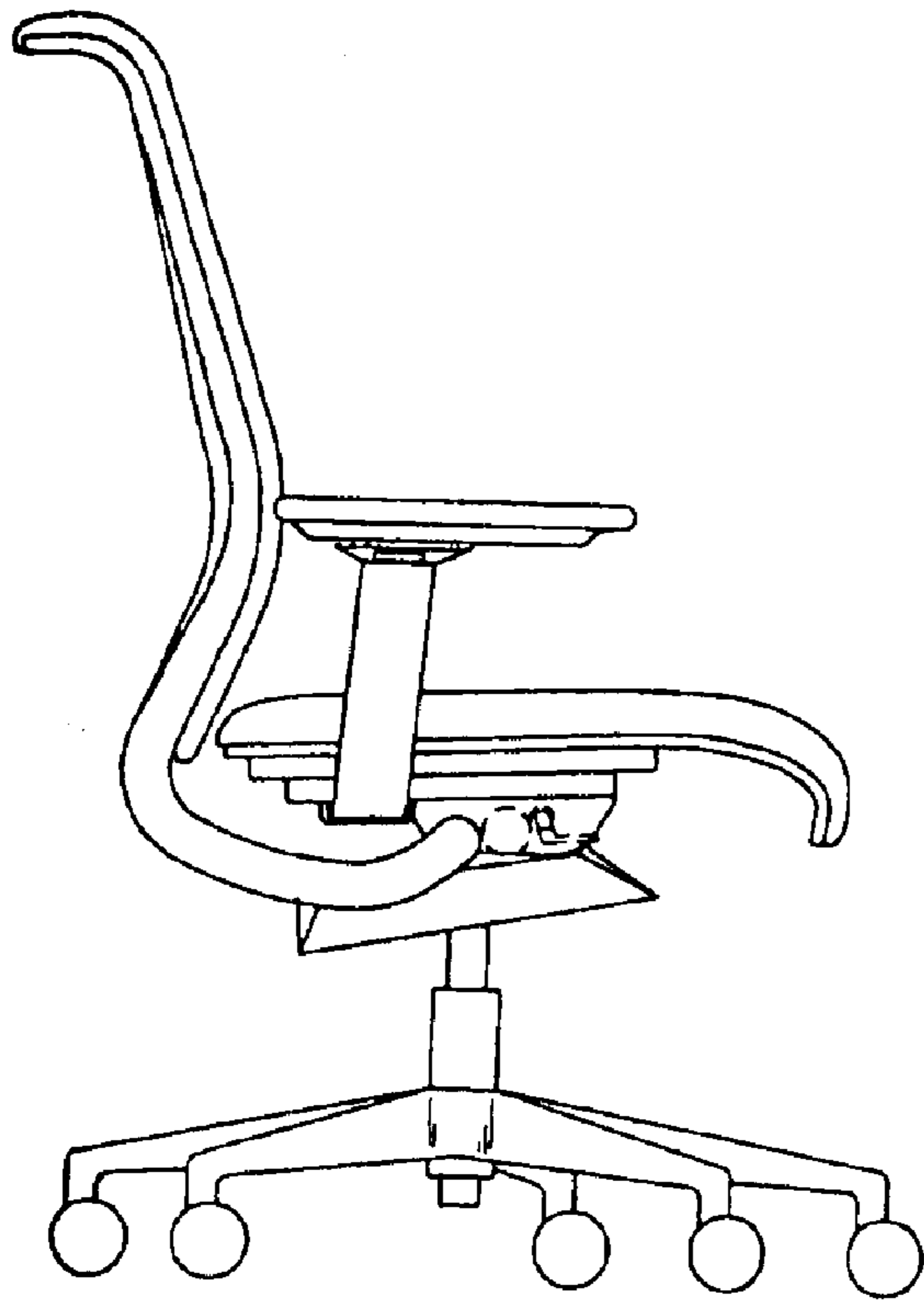


FIG. 11

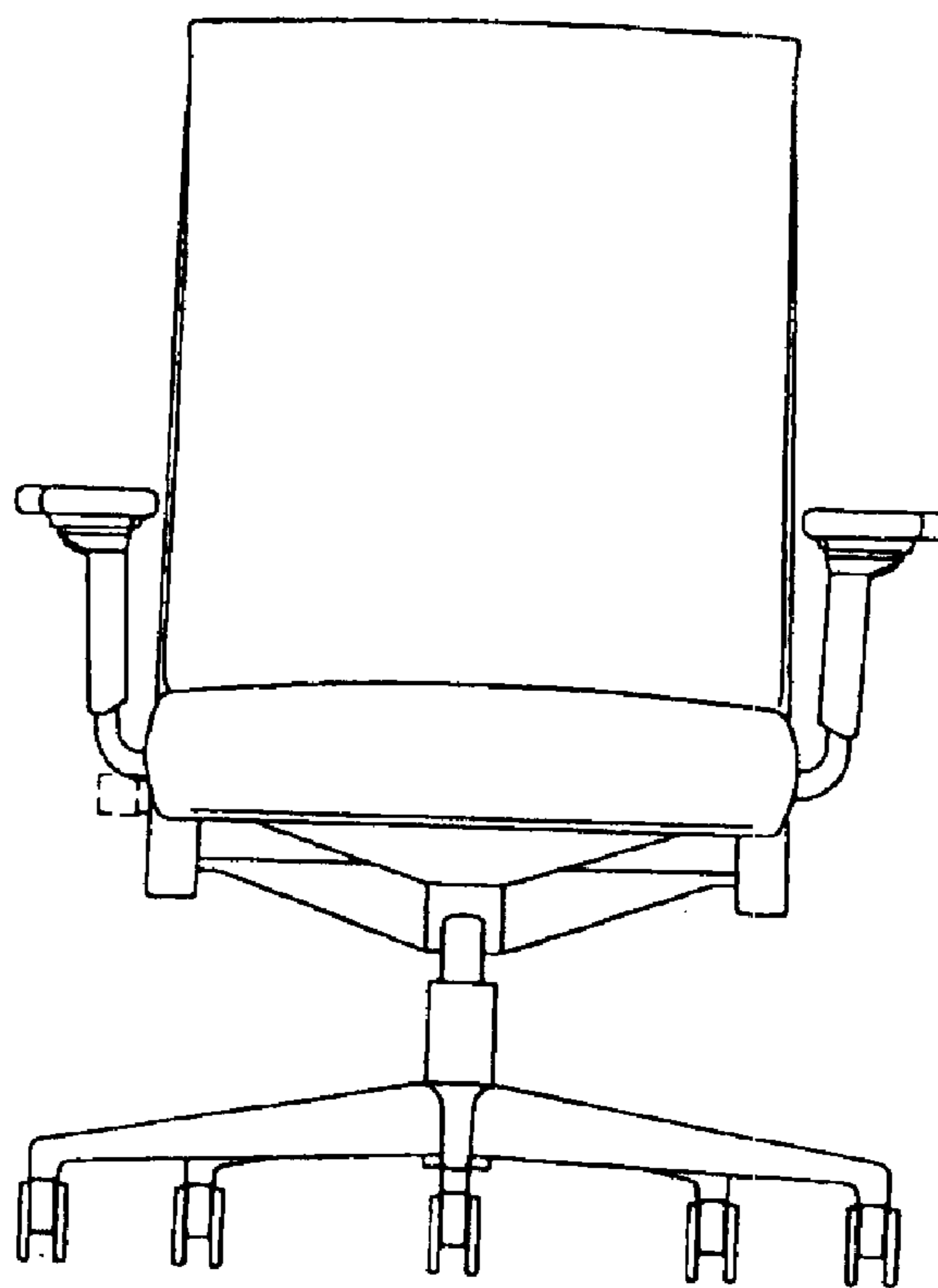


FIG. 12

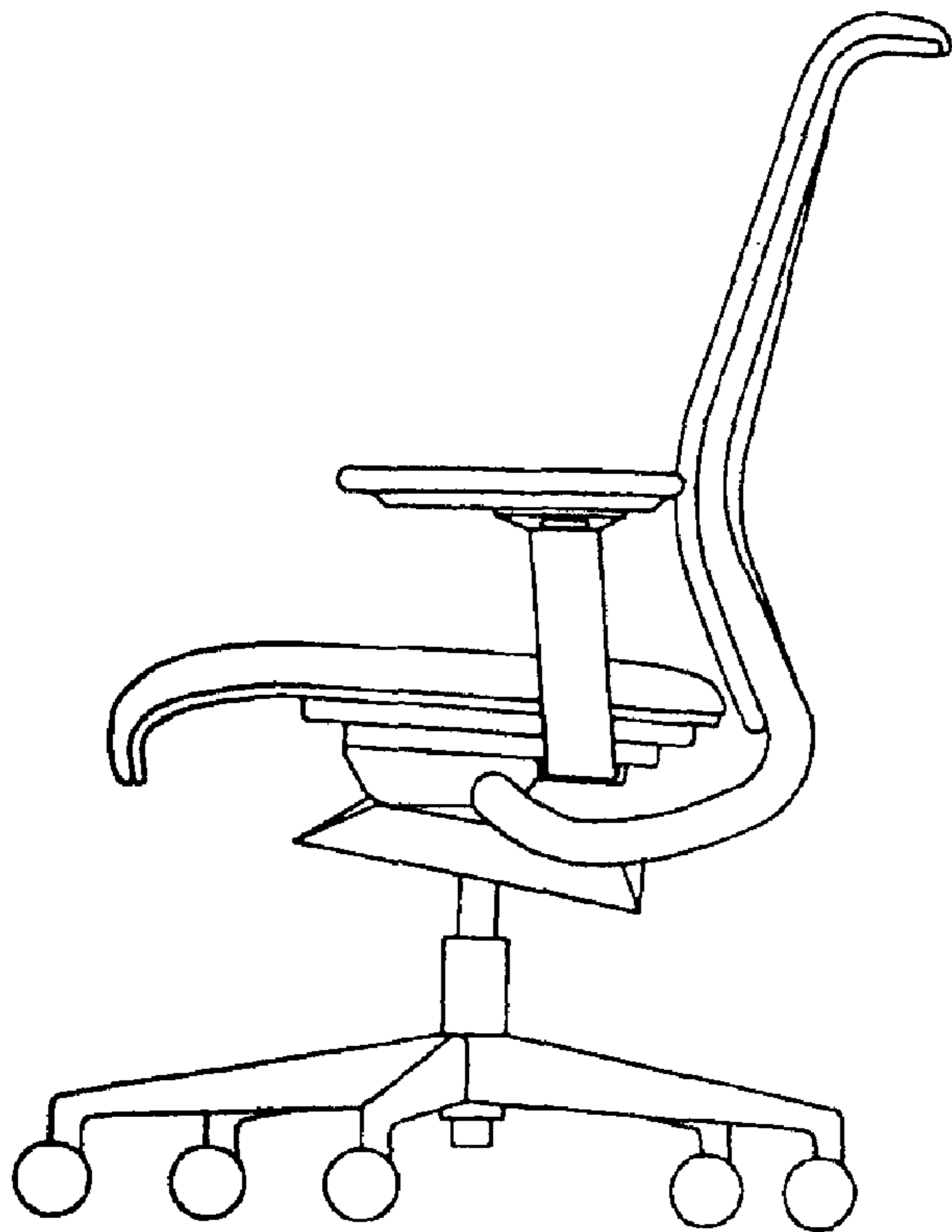


FIG. 13

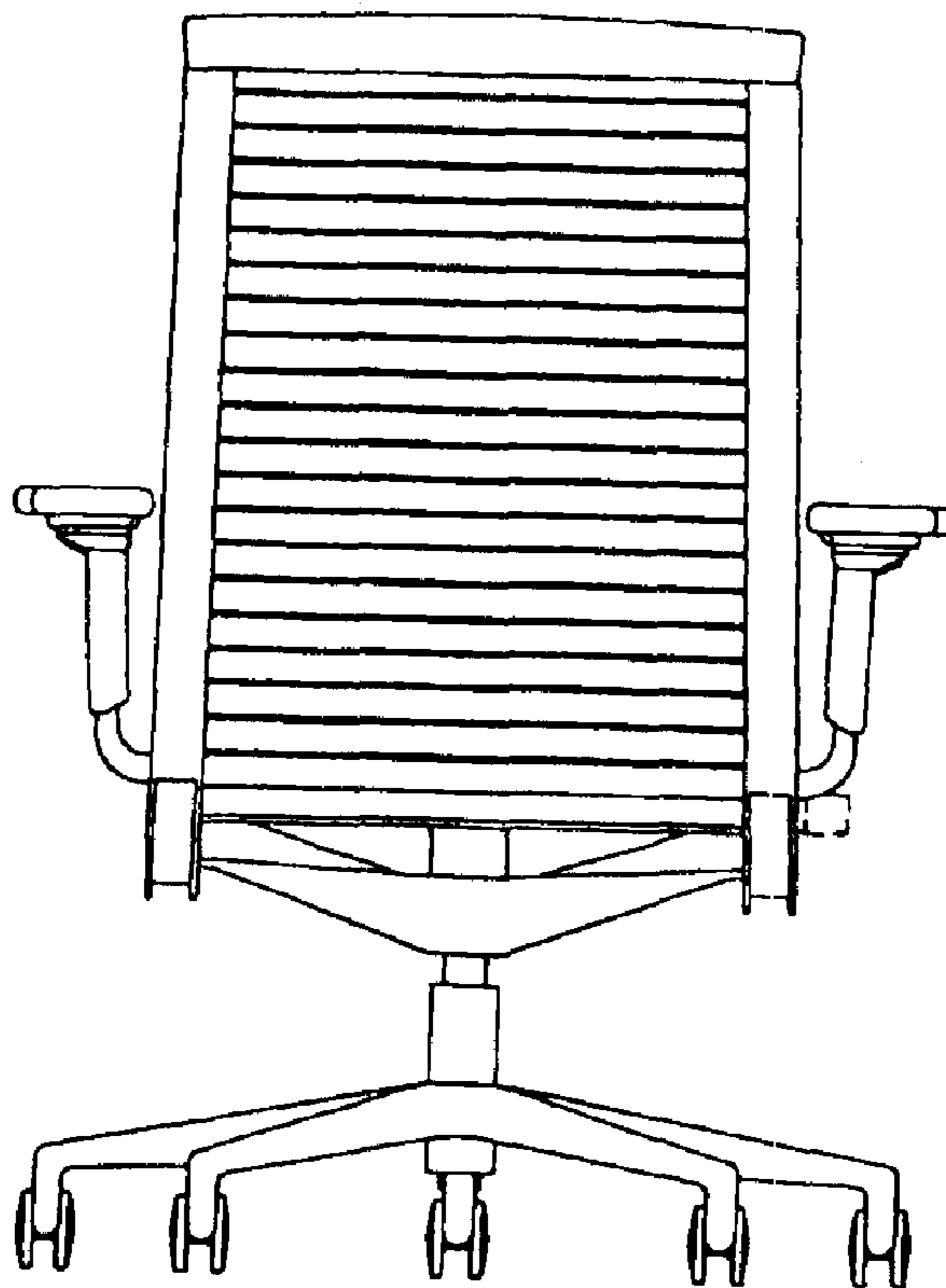


FIG. 14

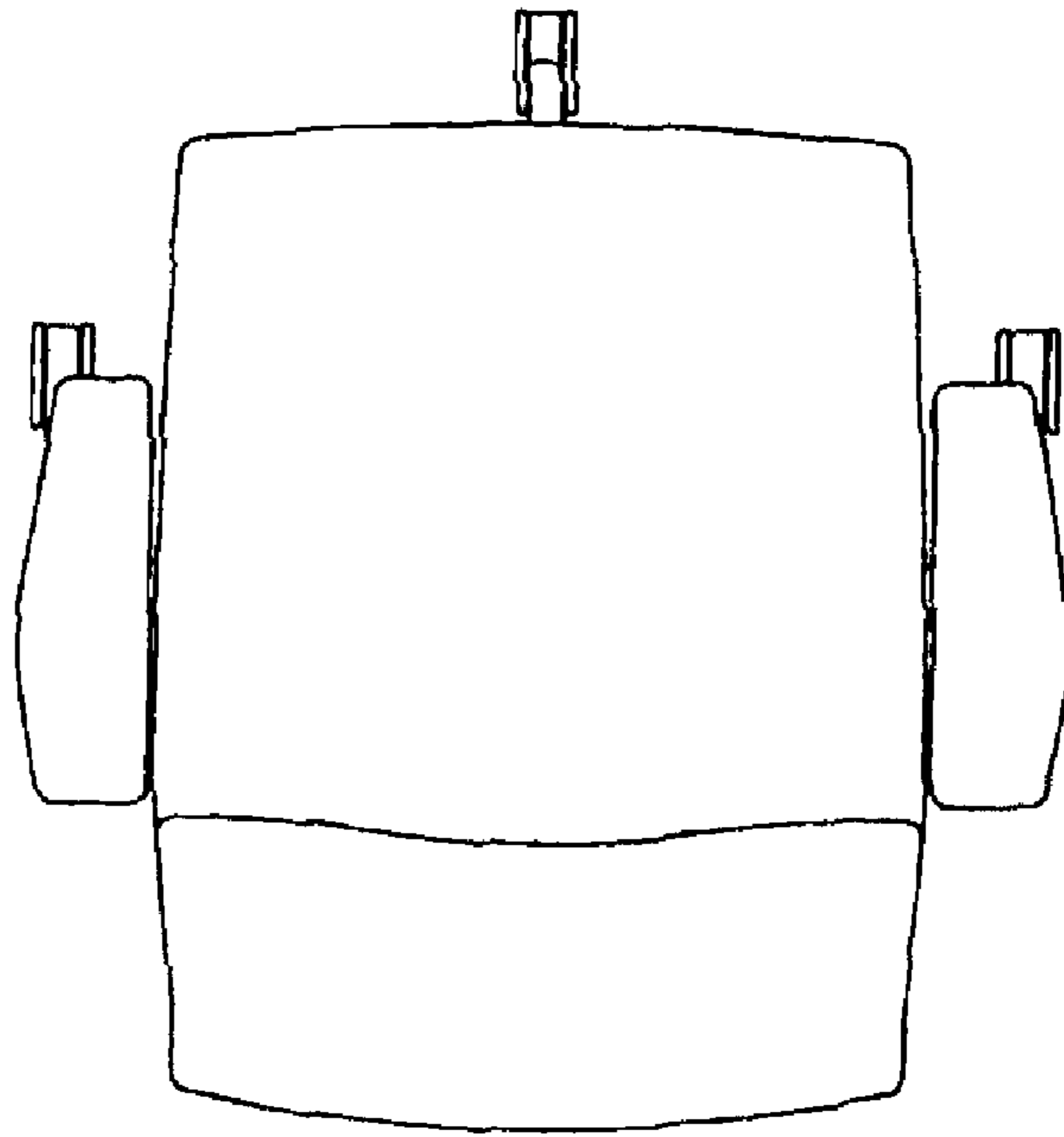


FIG. 15

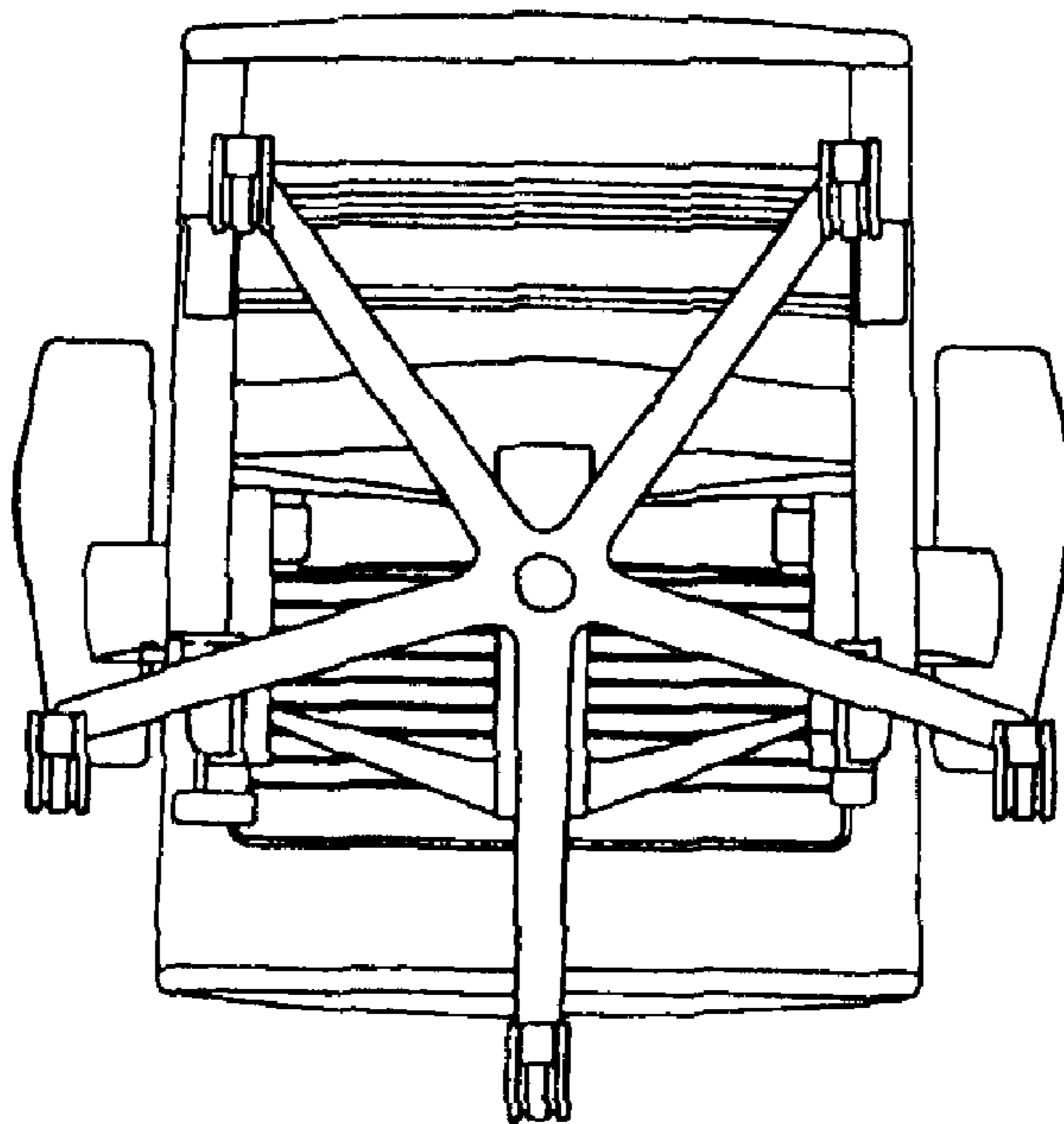


FIG. 16