



US00D534361S

(12) **United States Design Patent**
Wolf

(10) **Patent No.:** **US D534,361 S**

(45) **Date of Patent:** **** Jan. 2, 2007**

(54) **HANGER WITH AIR FRESHENER THEREIN**

(76) Inventor: **Thomas H. Wolf**, 1120 Thorndale Ave.,
Bensenville, IL (US) 60106

(**) Term: **14 Years**

(21) Appl. No.: **29/255,156**

(22) Filed: **Mar. 3, 2006**

(51) **LOC (8) Cl.** **06-08**

(52) **U.S. Cl.** **D6/323; D6/315; D23/366**

(58) **Field of Classification Search** 392/386,
392/390-394, 398, 401, 403, 405-406; 239/135-136,
239/34, 35, 56-58, 37, 41, 42, 60; 261/DIG. 17,
261/DIG. 65, DIG. 88, DIG. 89; D23/355-369;
D6/315-317, 323, 327

See application file for complete search history.

D242,414 S	*	11/1976	Salladay	D6/315
4,285,905 A	*	8/1981	Feit	422/4
D307,179 S	*	4/1990	Cole	D23/368
D341,946 S	*	12/1993	Graffigna	D6/316
5,515,978 A	*	5/1996	Moran	211/30
5,582,291 A	*	12/1996	Schroeder et al.	206/419
D389,565 S	*	1/1998	Scheuer et al.	D23/368
D411,373 S	*	6/1999	McKinney	D6/315
D464,810 S	*	10/2002	Thesen et al.	D6/315
D480,293 S	*	10/2003	Ismail	D8/372

* cited by examiner

Primary Examiner—Sandra S. Snapp

(74) *Attorney, Agent, or Firm*—James B. Conte; Barnes & Thornberg

(57) **CLAIM**

The ornamental design for a hanger with air freshener therein, as shown and described.

(56) **References Cited**

U.S. PATENT DOCUMENTS

1,741,068 A	*	12/1929	Newsom	239/60
1,758,347 A	*	5/1930	Beibin	383/12
D161,361 S	*	12/1950	Levine	D23/368
D170,655 S	*	10/1953	Rauch	D23/368
2,671,688 A	*	3/1954	Conner	239/60
2,755,954 A	*	7/1956	Anritter	220/4.21
D205,257 S	*	7/1966	Hellinger	D6/315
D211,795 S	*	7/1968	Woofen	D6/317
D212,420 S	*	10/1968	Wilson	D23/368
3,521,816 A	*	7/1970	Wilson	239/60

DESCRIPTION

FIG. 1 is a front right side perspective view of a hanger with air freshener therein showing my new design; FIG. 2 is a front elevation view thereof; FIG. 3 is a right side elevation view thereof; FIG. 4 is a left side elevation view thereof; FIG. 5 is a rear side elevation view thereof; FIG. 6 is a top plan view thereof; and, FIG. 7 is a bottom plan view thereof.

1 Claim, 2 Drawing Sheets

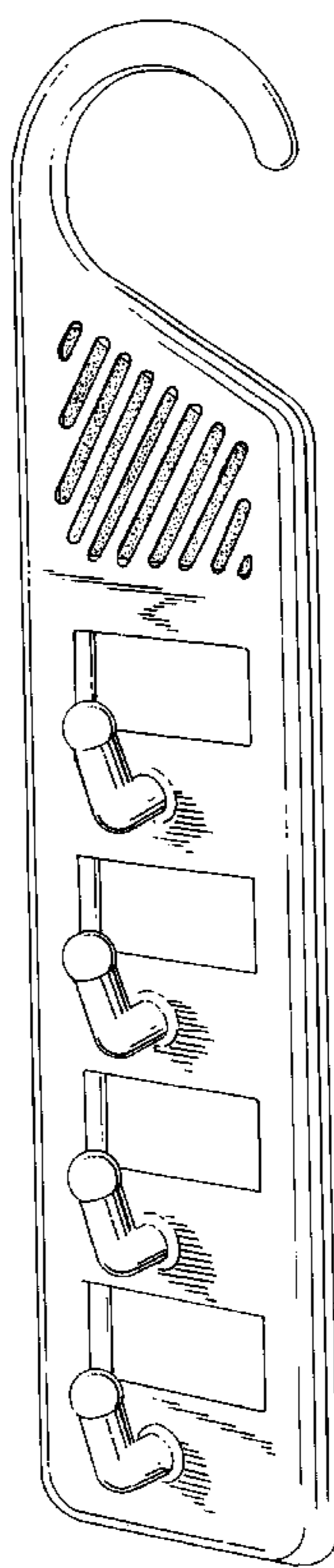


FIG. 1

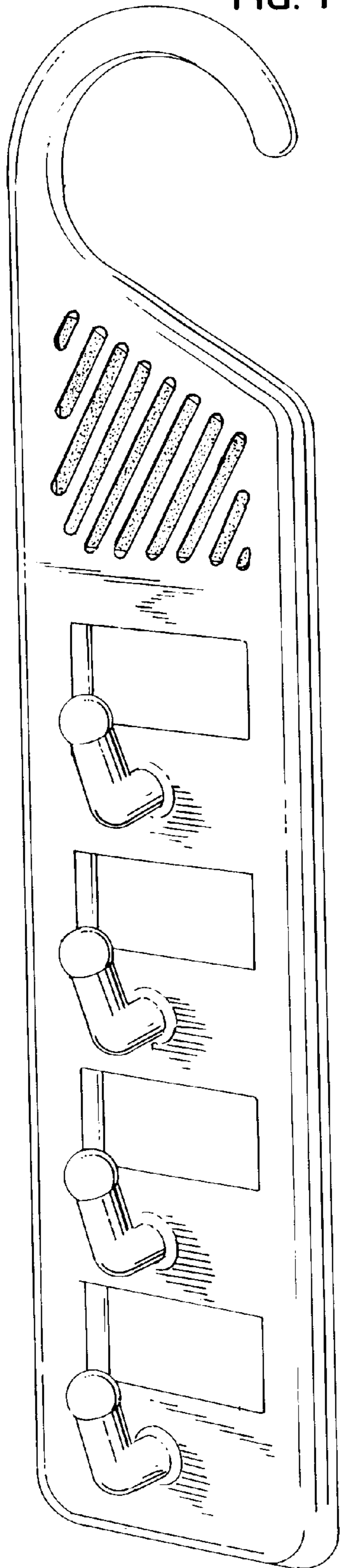


FIG. 2

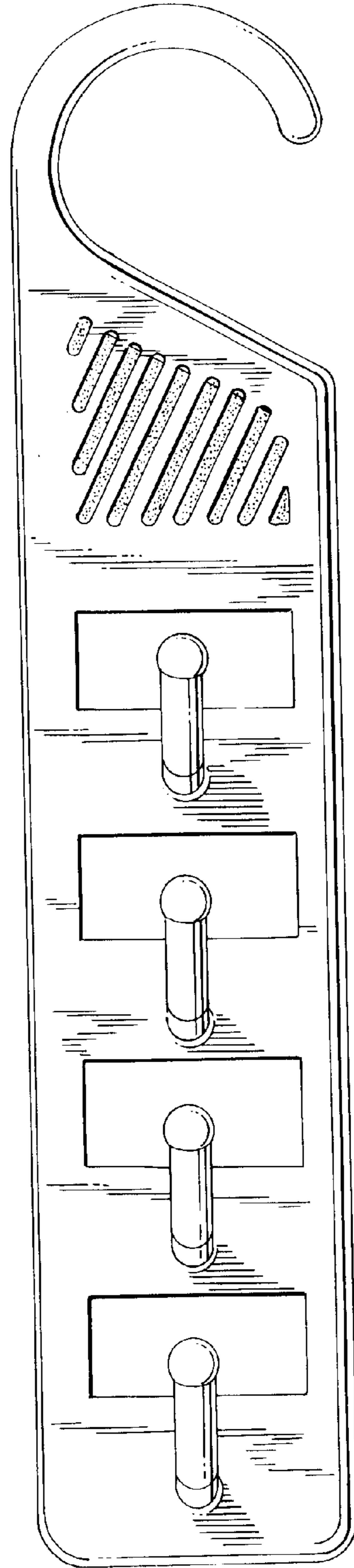


FIG. 3

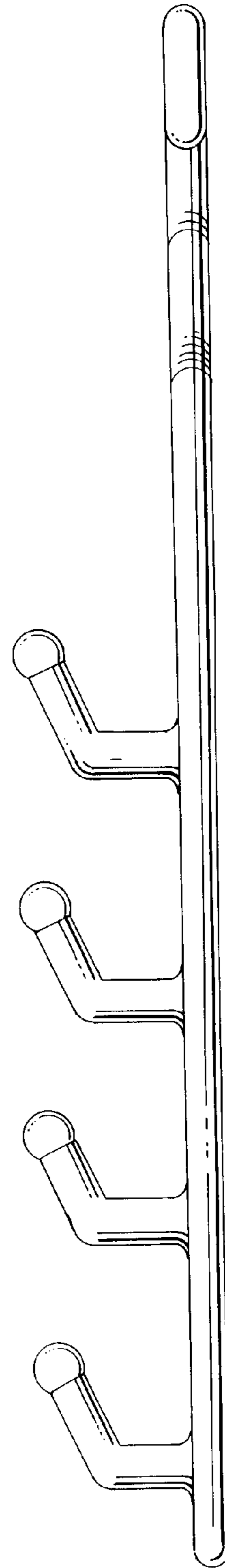


FIG. 4

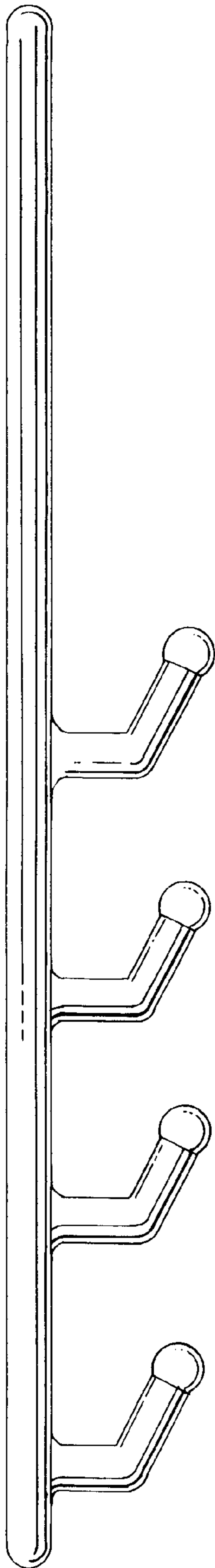


FIG. 5

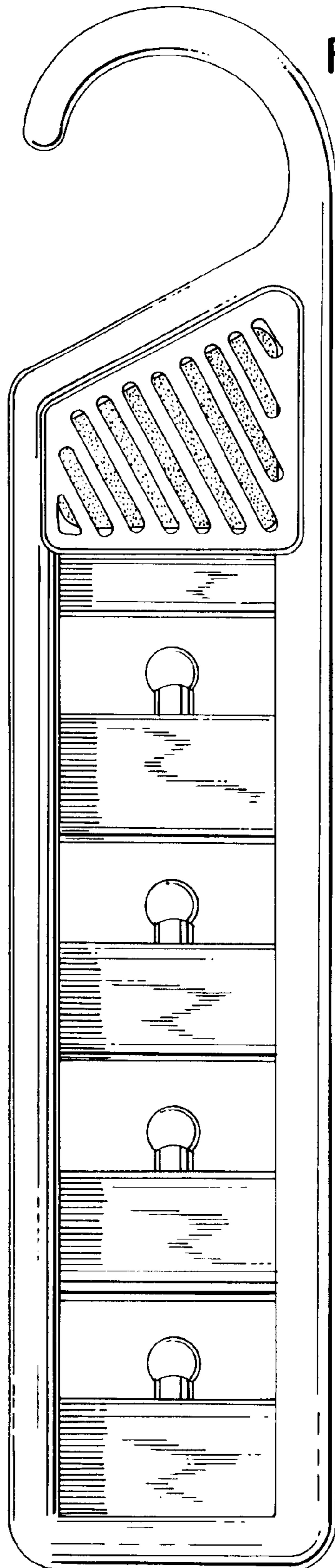


FIG. 6

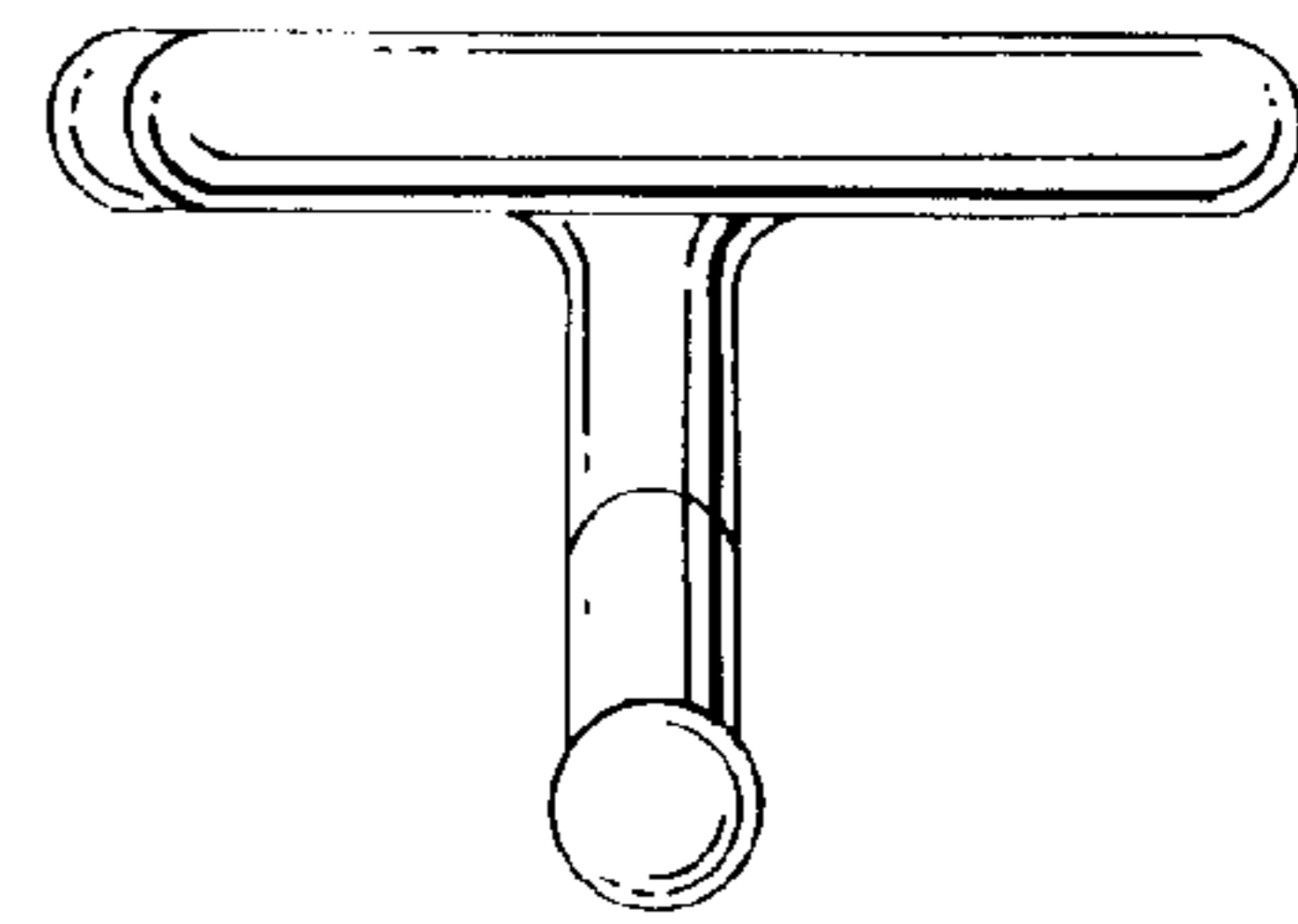


FIG. 7

