



US00D534355S

(12) **United States Design Patent**
Renahan

(10) **Patent No.:** **US D534,355 S**
(45) **Date of Patent:** **** Jan. 2, 2007**

- (54) **GOLF BAG CLUB DIVIDER**
- (75) Inventor: **Michael Renahan**, Penfield, NY (US)
- (73) Assignee: **Izzo Golf Inc.**, Macedon, NY (US)
- (**) Term: **14 Years**
- (21) Appl. No.: **29/219,540**
- (22) Filed: **Dec. 17, 2004**
- (51) **LOC (8) Cl.** **03-01**
- (52) **U.S. Cl.** **D3/320**
- (58) **Field of Classification Search** D3/254,
D3/255, 318, 320, 328, 328.1; 150/159, 160;
206/315.2, 315.3, 315.4, 315.8; 211/70.2;
383/87; 280/DIG. 6
See application file for complete search history.

(56) **References Cited**

U.S. PATENT DOCUMENTS

- D323,741 S * 2/1992 Antonious 206/315.3
- 5,226,533 A * 7/1993 Antonious 206/315.8
- D402,469 S * 12/1998 Suk D3/320

- D412,789 S * 8/1999 Suk D3/320
- D478,422 S * 8/2003 Chen D3/320
- D513,878 S * 1/2006 Anderson et al. D3/320

* cited by examiner

Primary Examiner—Louis S. Zarfes

Assistant Examiner—Monica A. Weingart

(74) *Attorney, Agent, or Firm*—Neal L. Slifkin

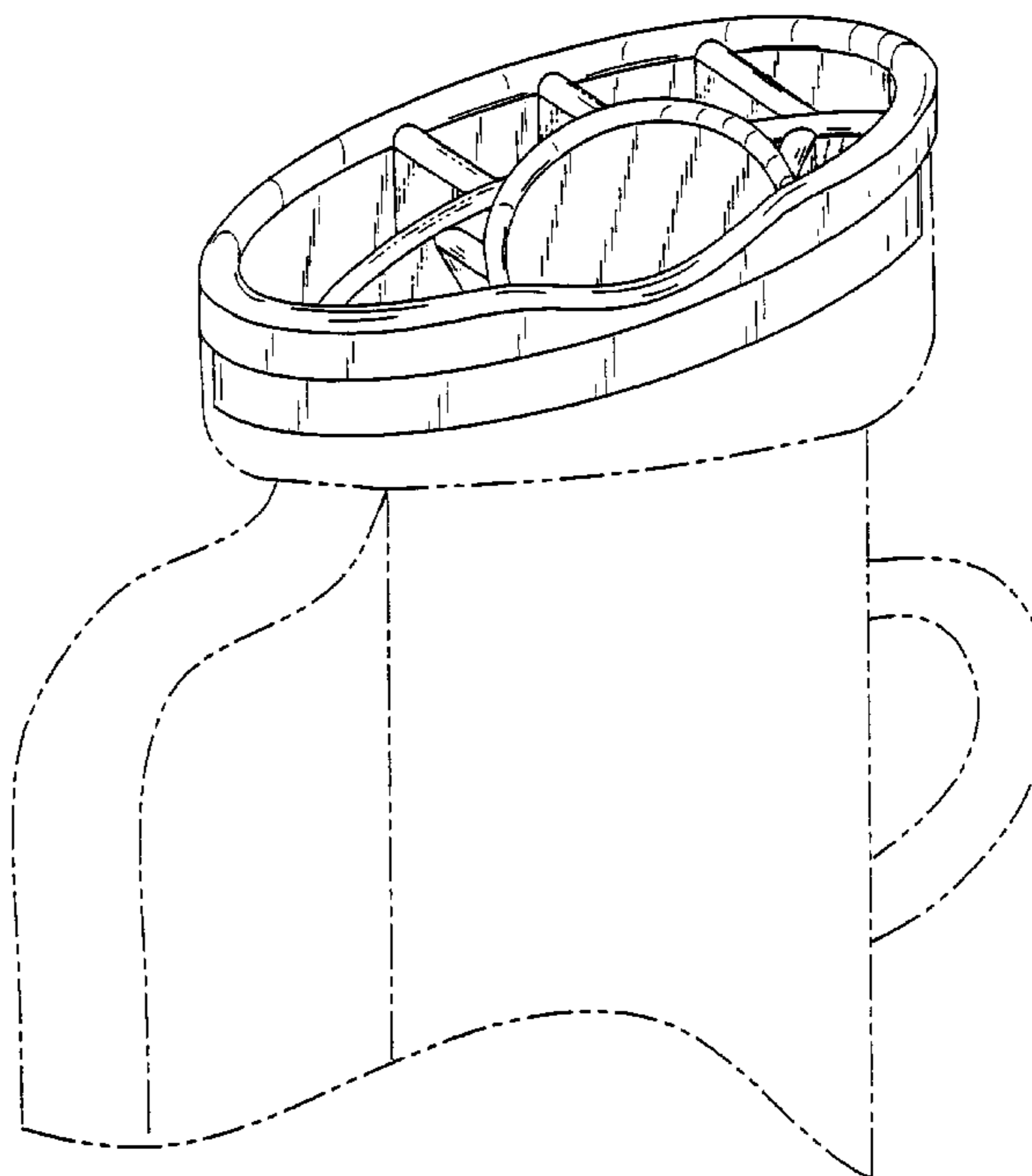
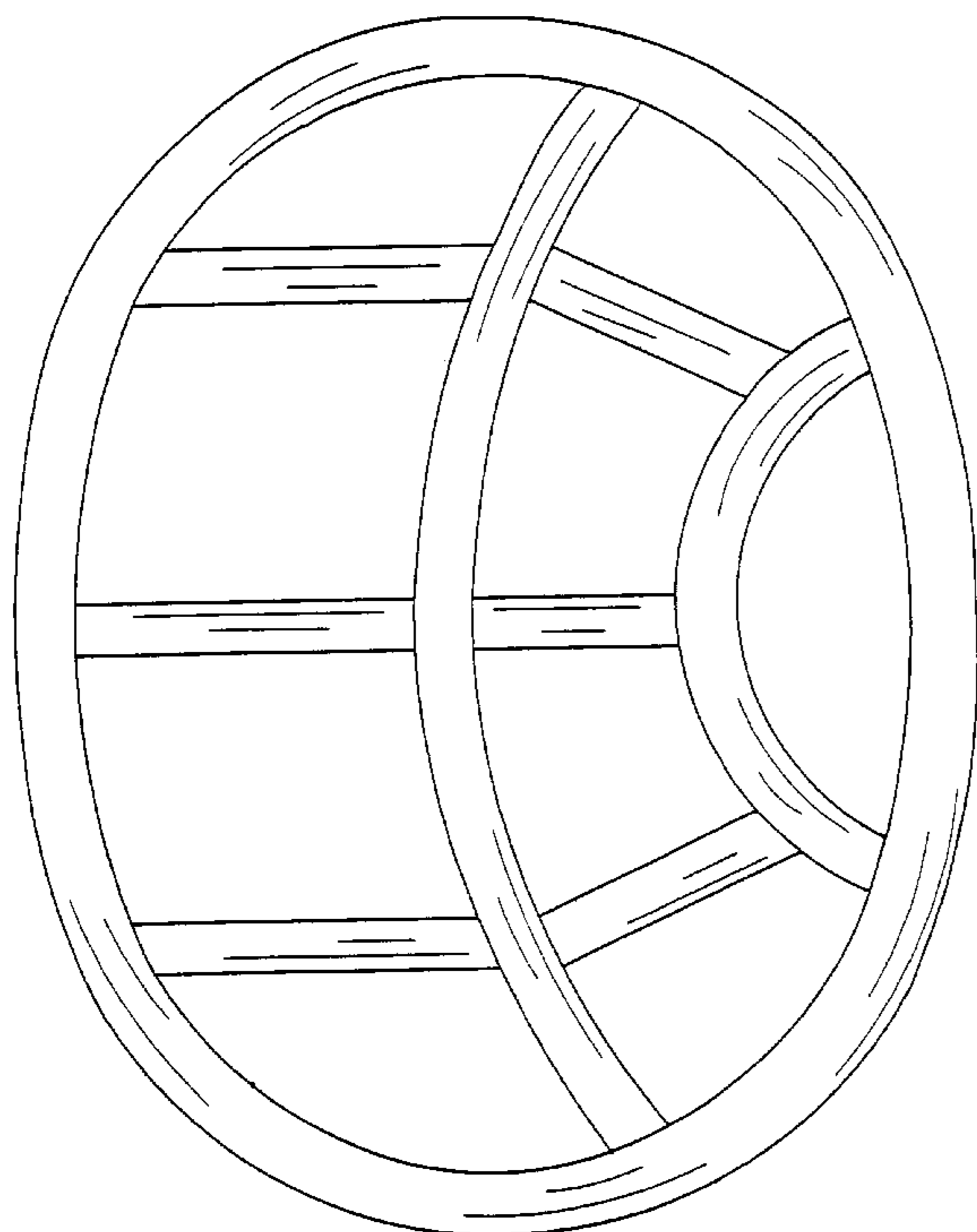
(57) **CLAIM**

The ornamental design of a golf bag club divider, as shown and described.

DESCRIPTION

FIG. 1 is a top plan view of a golf bag club divider showing my new design;
 FIG. 2 is a bottom plan view thereof;
 FIG. 3 is a front elevation view thereof;
 FIG. 4 is a rear elevation view thereof;
 FIG. 5 is a left side elevation view thereof;
 FIG. 6 is a right side elevation view thereof; and,
 FIG. 7 is a perspective view thereof.

1 Claim, 7 Drawing Sheets



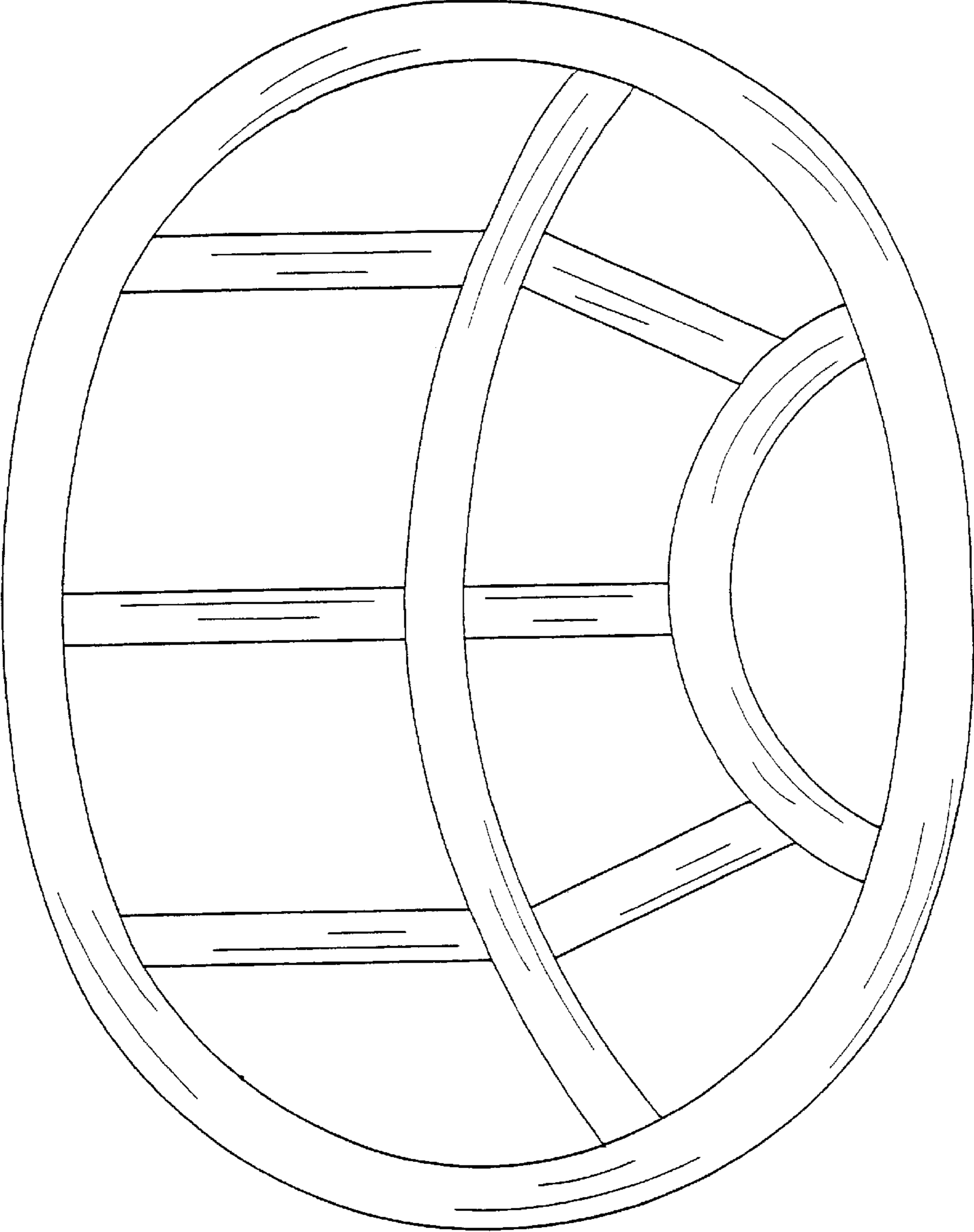


FIG. 1

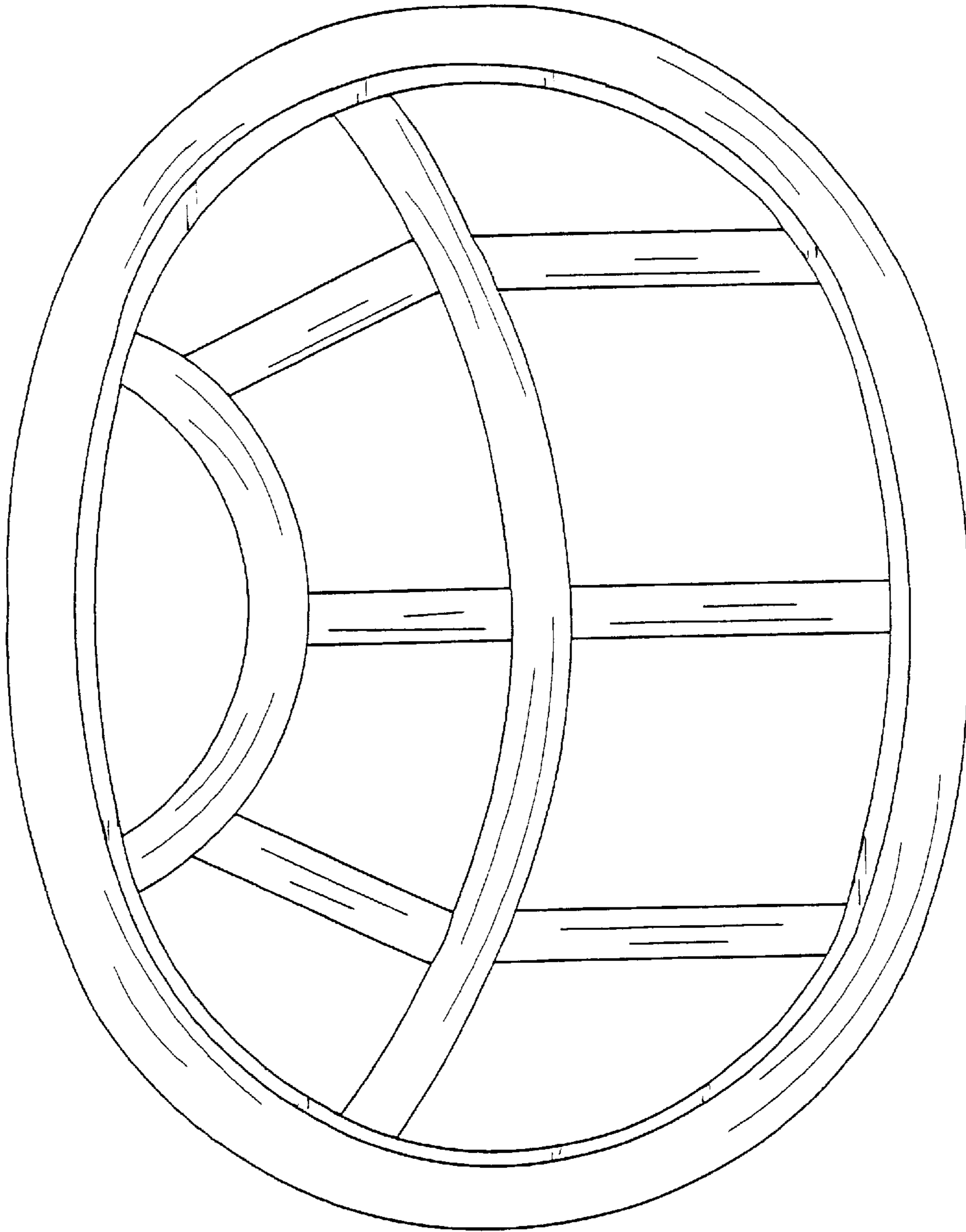


FIG. 2

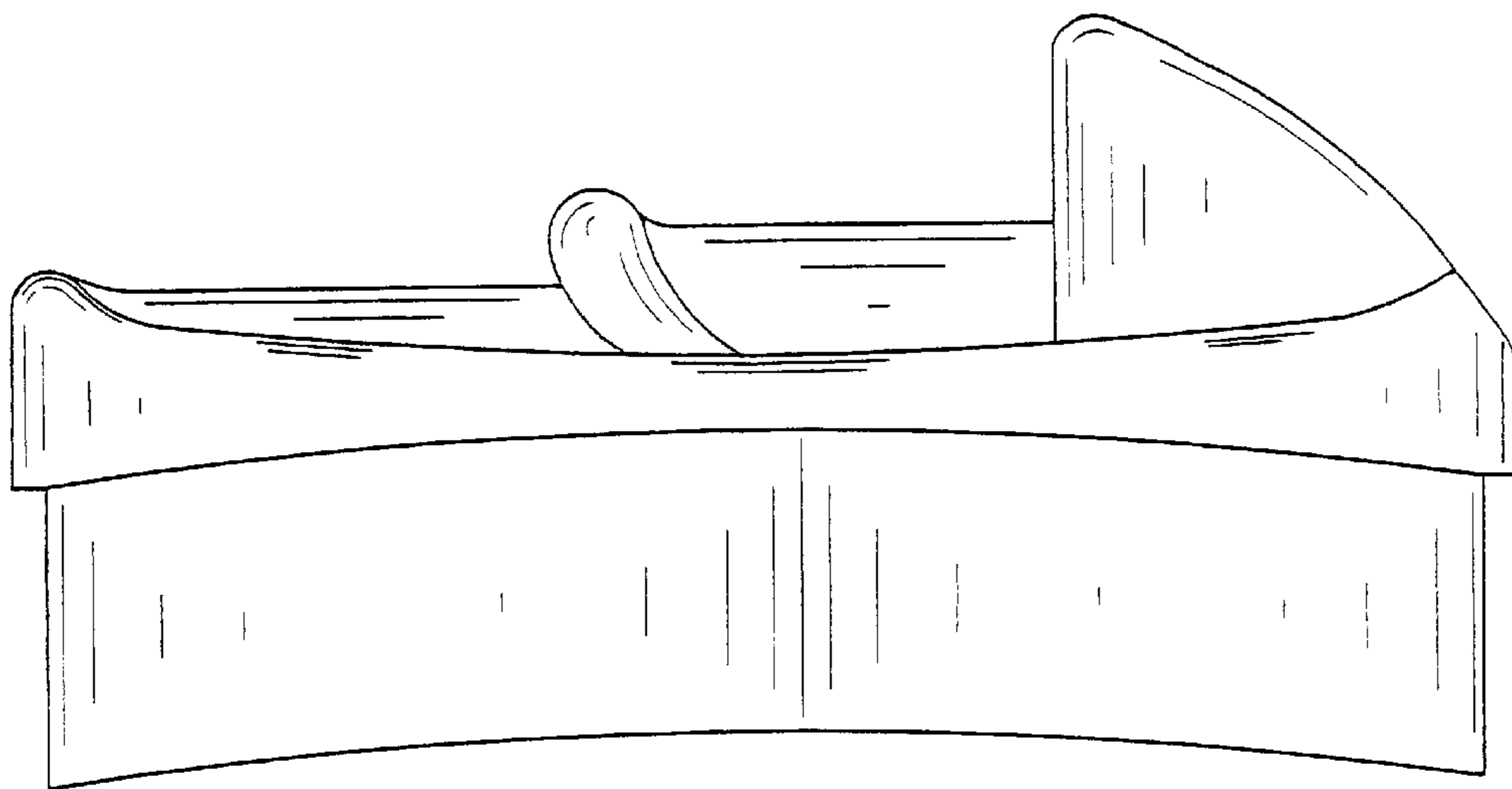


FIG. 3

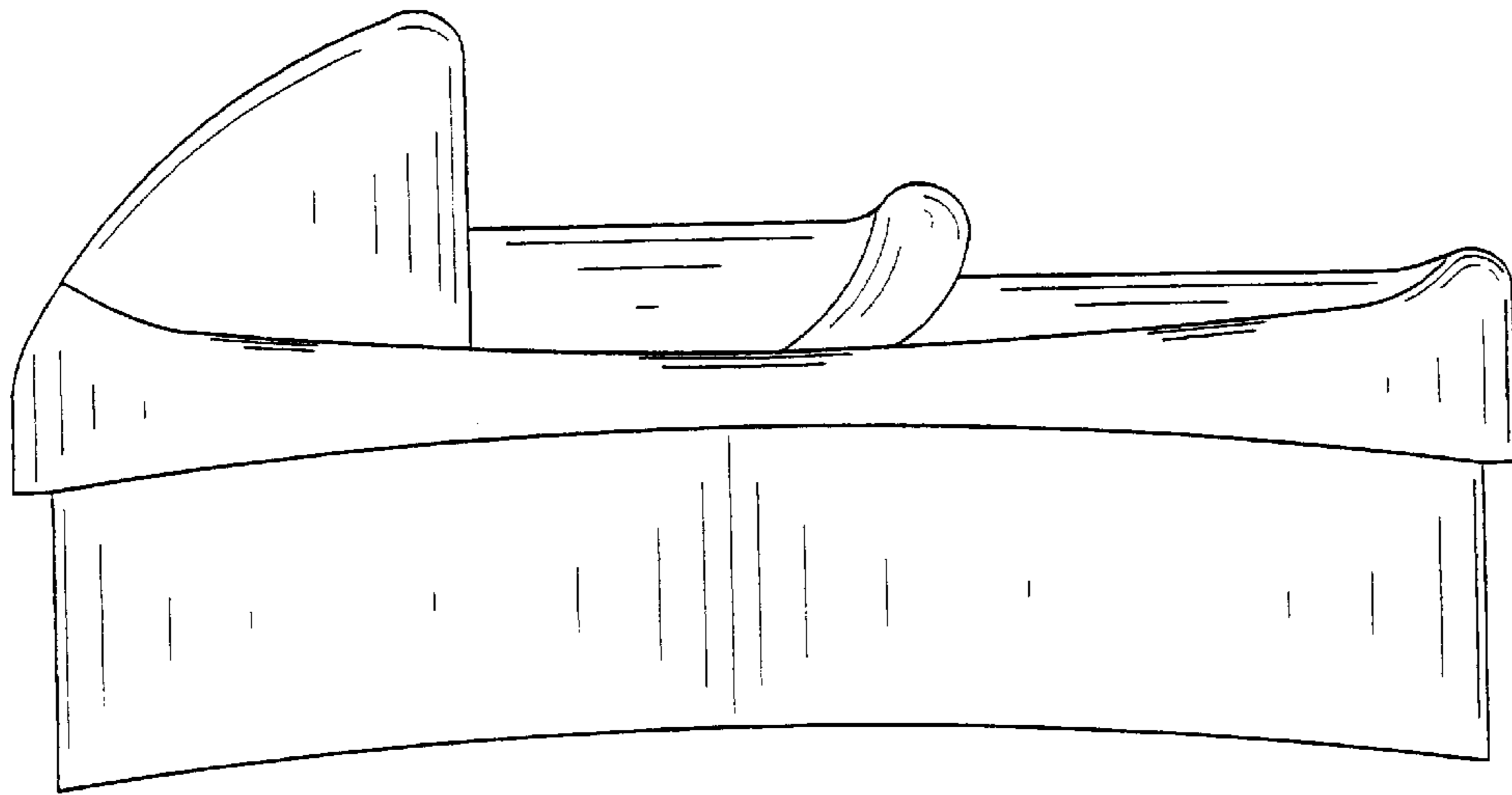


FIG. 4

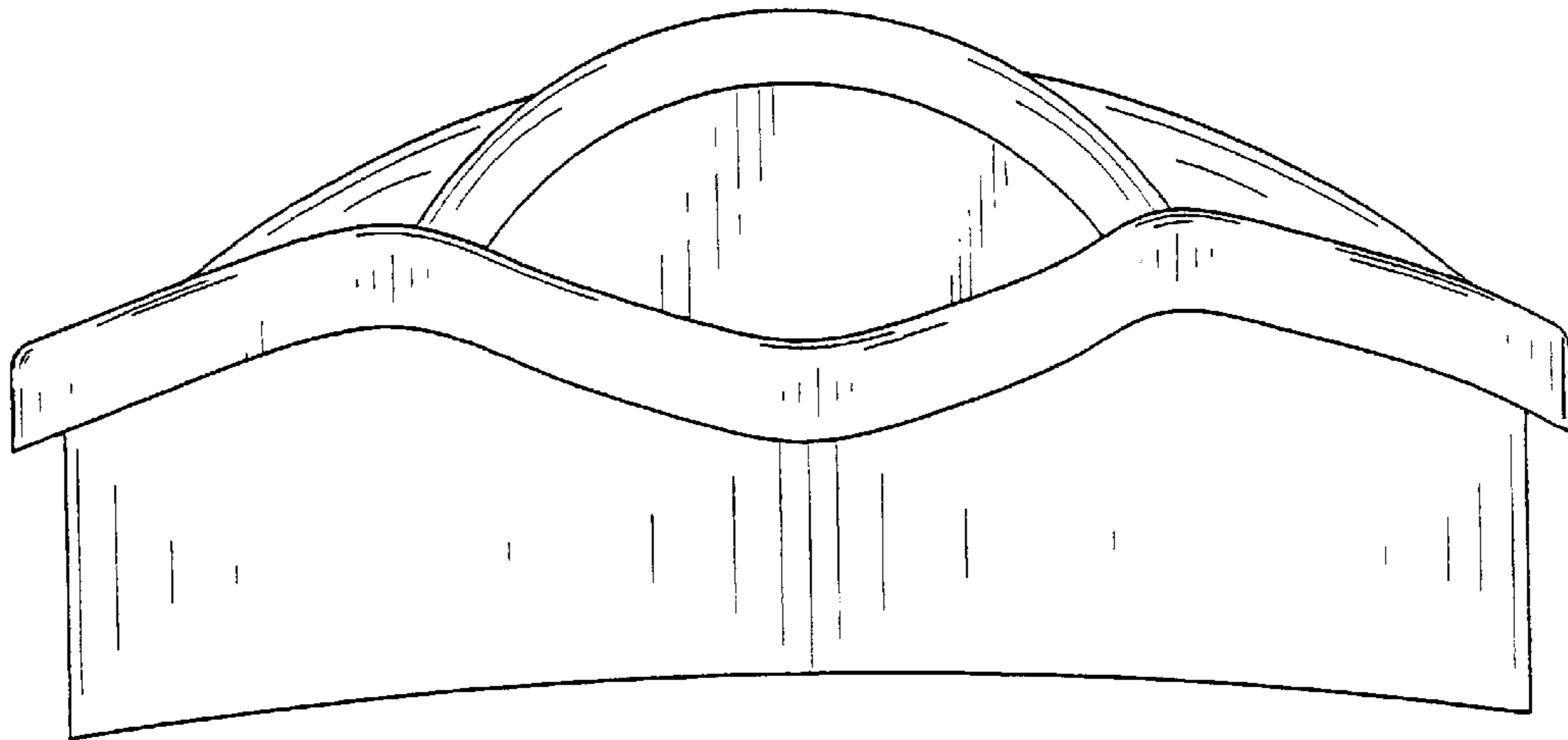


FIG. 5

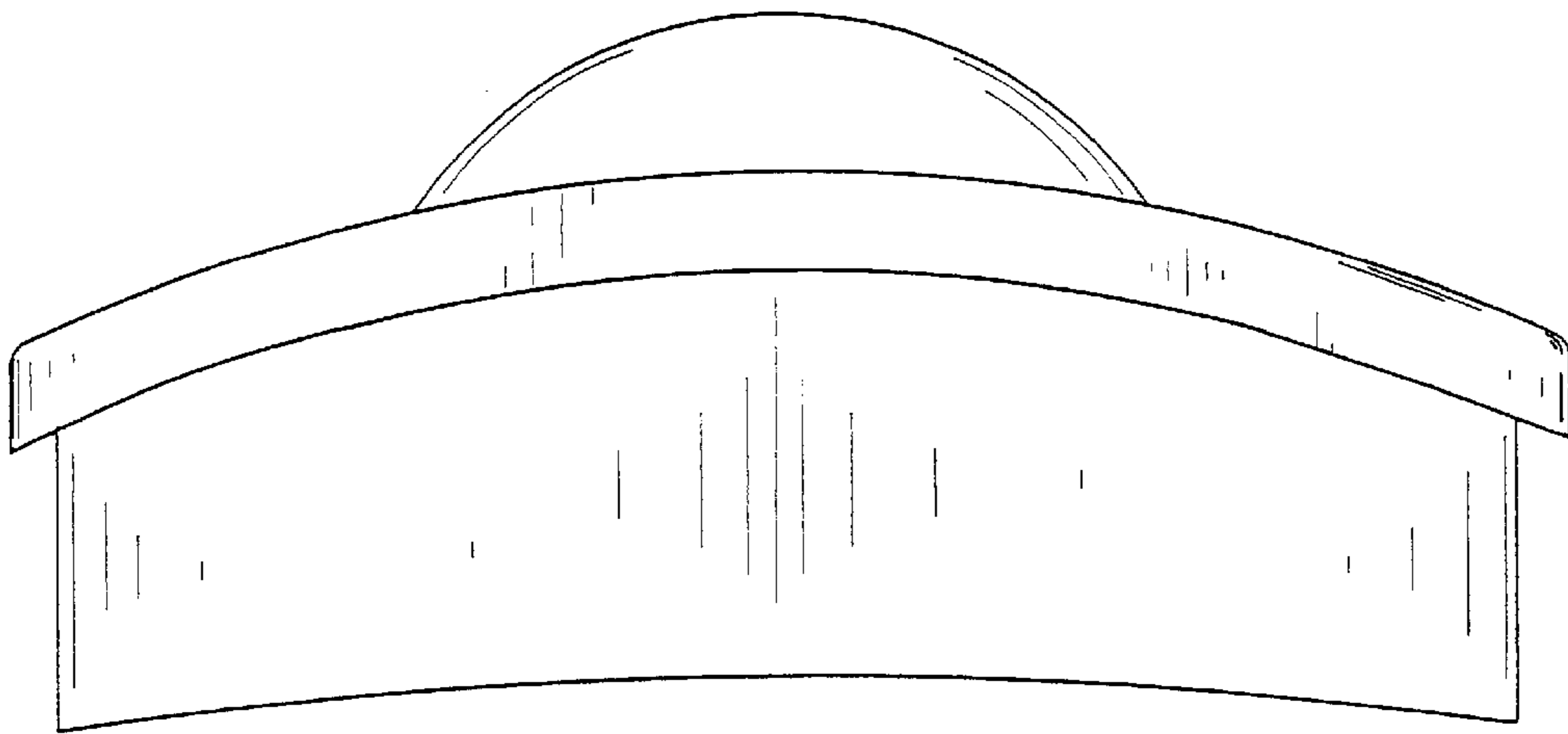


FIG. 6

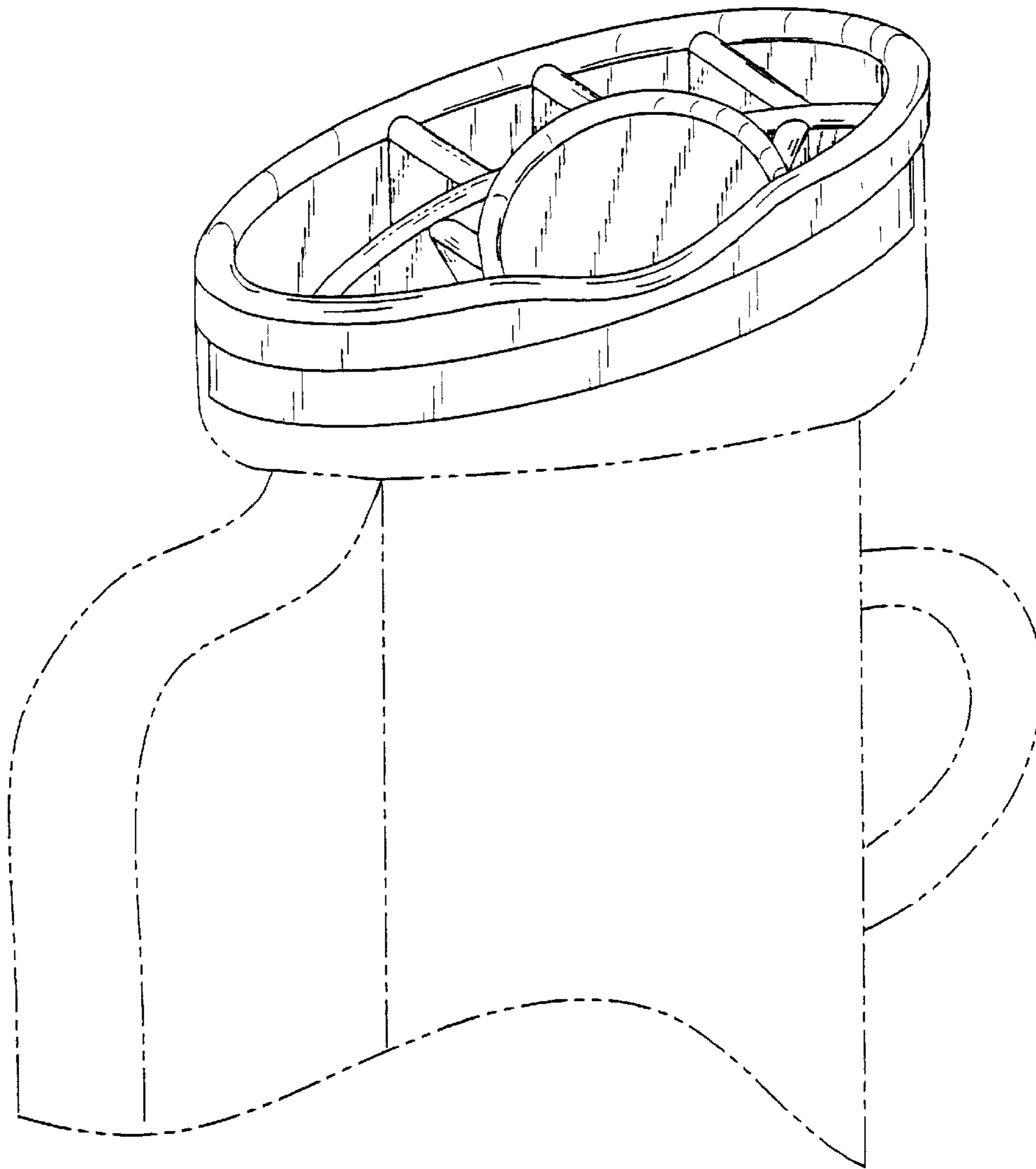


FIG. 7