



US00D534353S

(12) **United States Design Patent**
Hsieh

(10) **Patent No.:** **US D534,353 S**

(45) **Date of Patent:** **** Jan. 2, 2007**

(54) **LUGGAGE**

(75) Inventor: **Dick-Ming Hsieh**, Tainan Hsien (TW)

(73) Assignee: **Eminent Luggage Corp.**, Tainan Hsien (TW)

(**) Term: **14 Years**

(21) Appl. No.: **29/240,776**

(22) Filed: **Oct. 17, 2005**

(51) **LOC (8) Cl.** **03-01**

(52) **U.S. Cl.** **D3/279; D3/283; D3/301**

(58) **Field of Classification Search** D3/215-217,
D3/273, 276, 279, 283, 301, 902; 190/18 A,
190/100-101, 110-115, 124-127, 900; 280/47.17
See application file for complete search history.

(56) **References Cited**

U.S. PATENT DOCUMENTS

3,233,803 A * 2/1966 Gray 224/262
D387,198 S * 12/1997 Lehmann et al. D3/217
5,875,876 A * 3/1999 Wang 190/18 A

D451,274 S * 12/2001 Kegels D3/217
D460,618 S * 7/2002 Szyf D3/279
D463,663 S * 10/2002 Magana D3/279

* cited by examiner

Primary Examiner—Philip S. Hyder

Assistant Examiner—RoseLynne (Ulm) Cody

(74) *Attorney, Agent, or Firm*—Marger Johnson & McCollom PC

(57) **CLAIM**

The ornamental design for luggage, as shown and described.

DESCRIPTION

FIG. 1 is a perspective view of luggage showing my new design;

FIG. 2 is a front elevational view thereof;

FIG. 3 is a rear elevational view thereof;

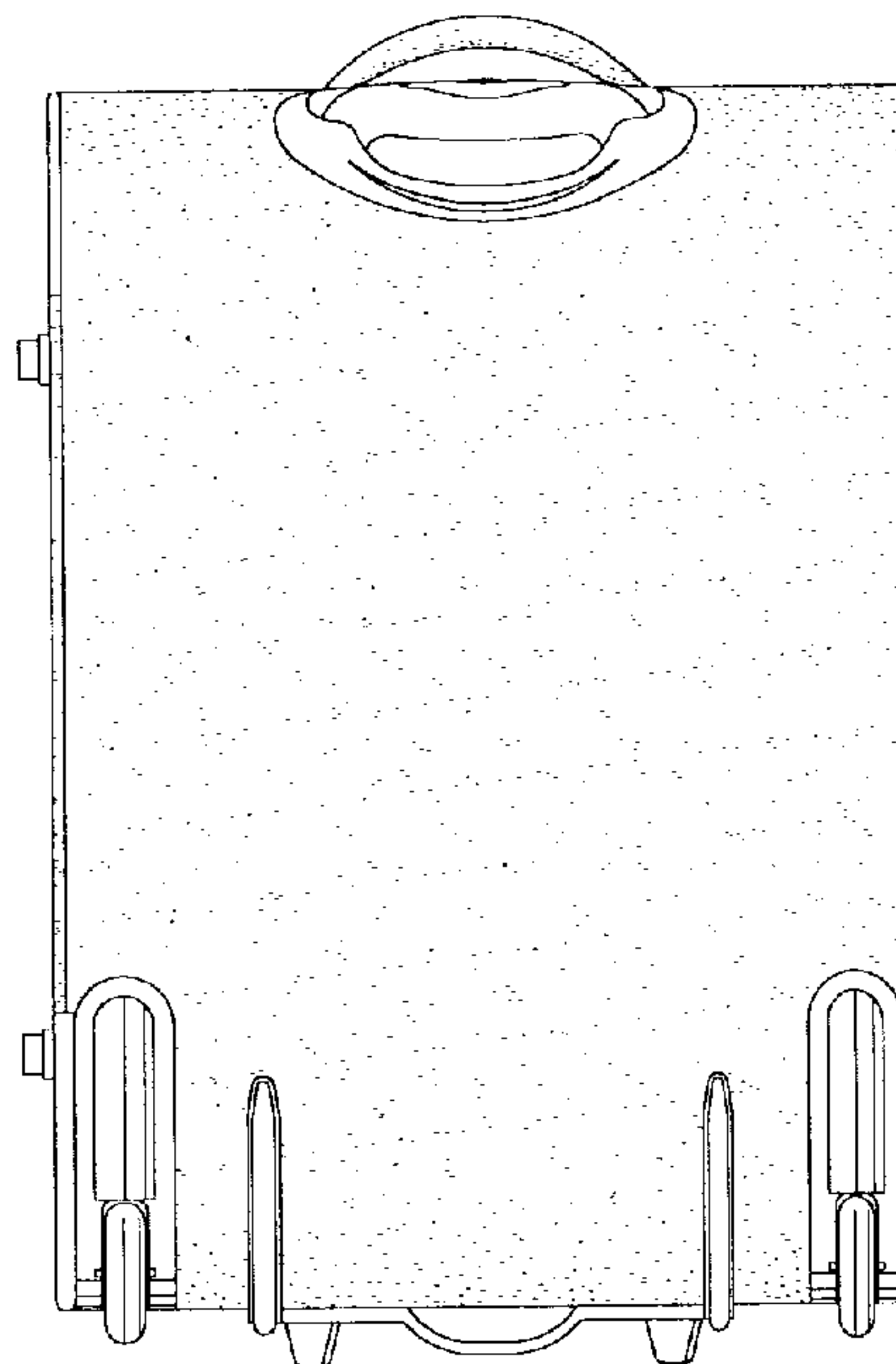
FIG. 4 is a left side elevational view thereof;

FIG. 5 is a right side elevational view thereof;

FIG. 6 is a top plan view thereof; and,

FIG. 7 is a bottom plan view thereof.

1 Claim, 4 Drawing Sheets



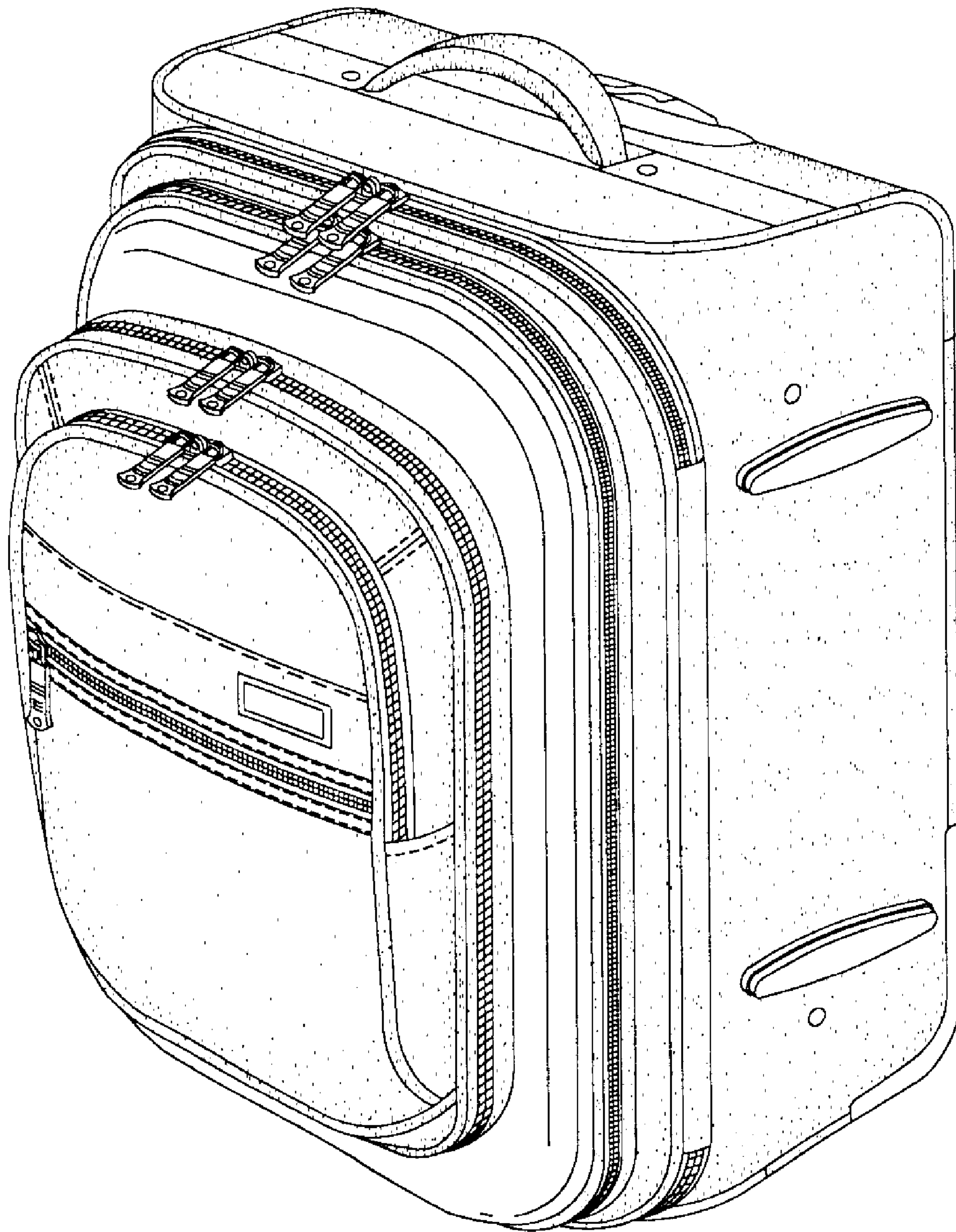


FIG. 1

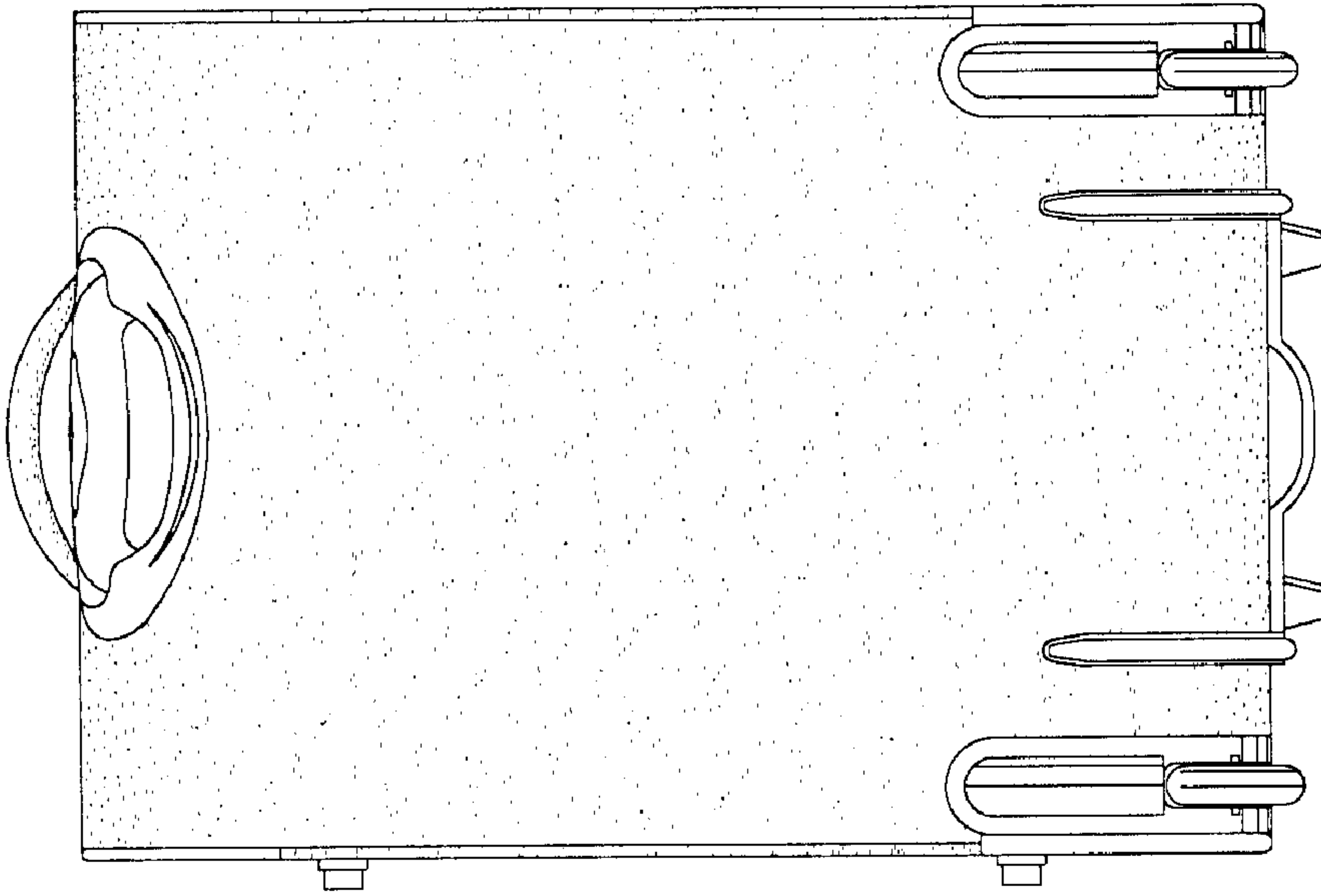


FIG. 3

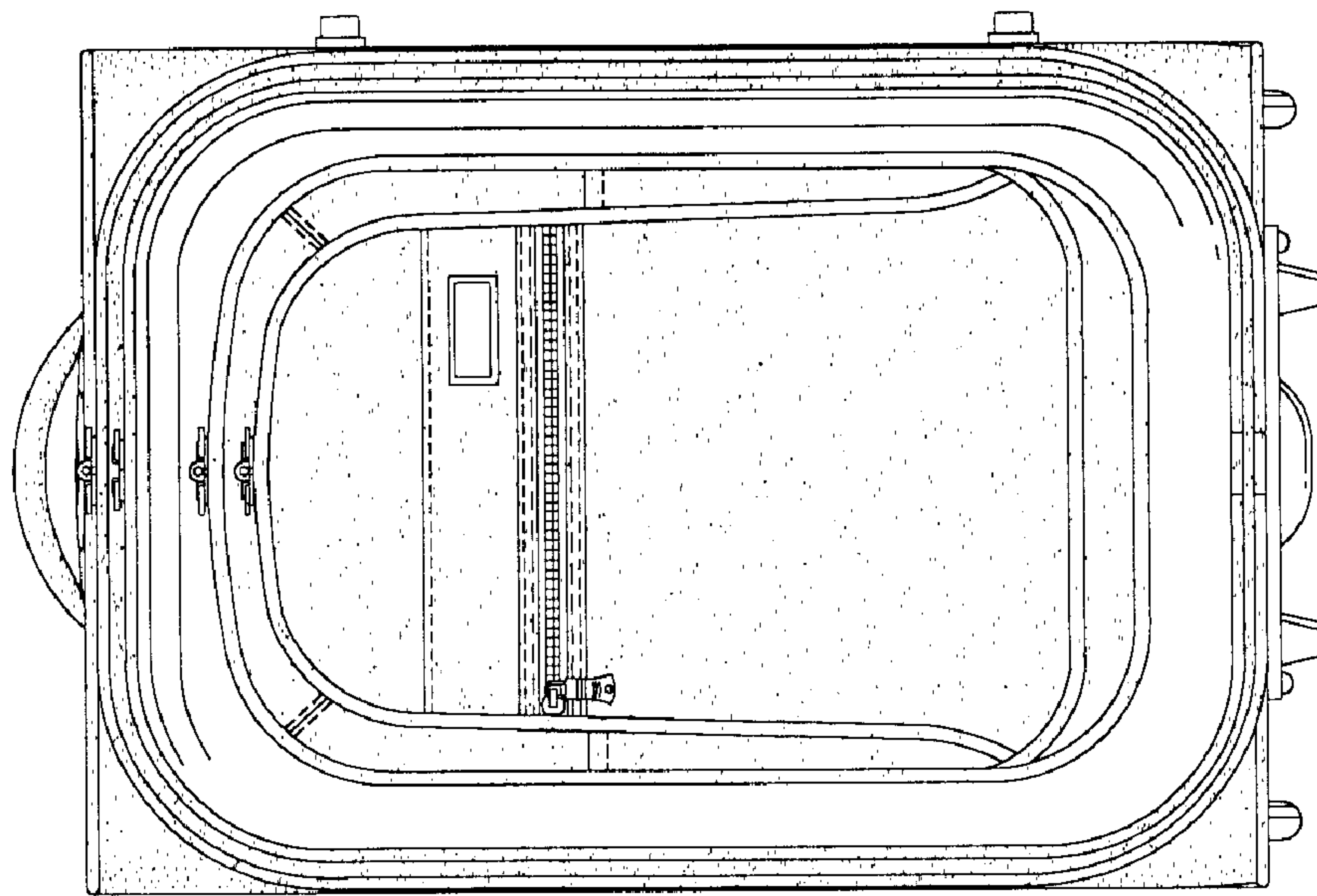


FIG. 2

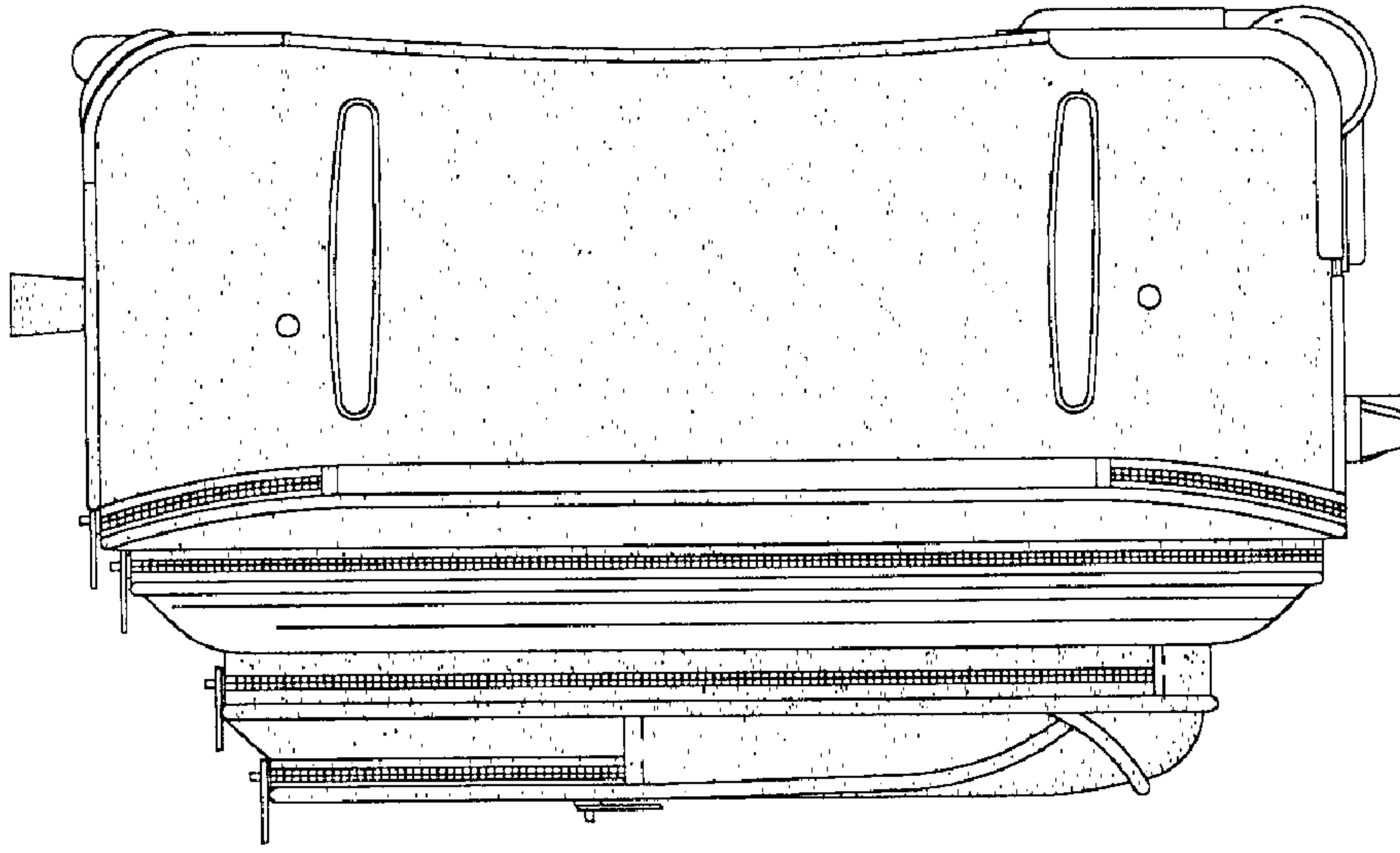


FIG. 5

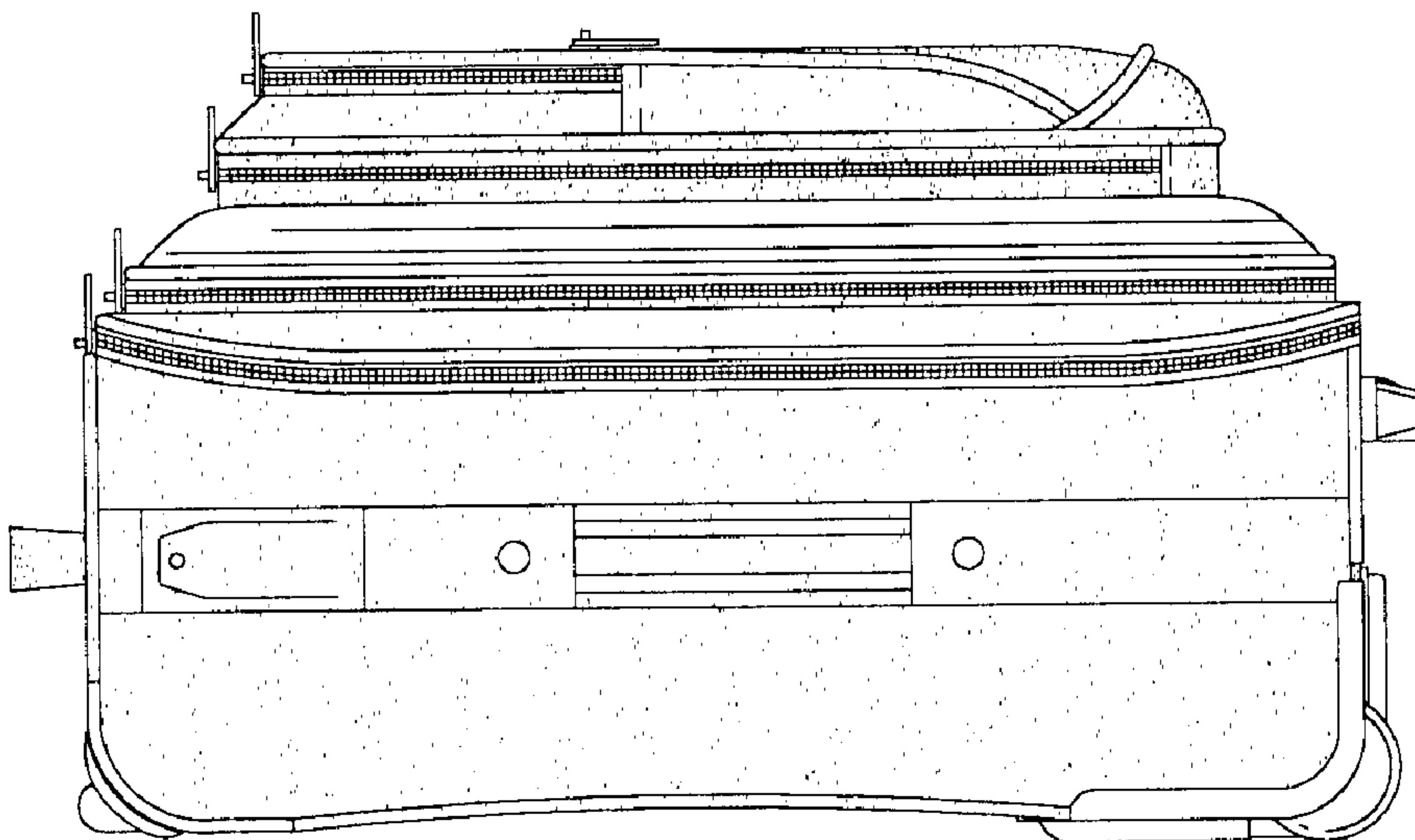


FIG. 4

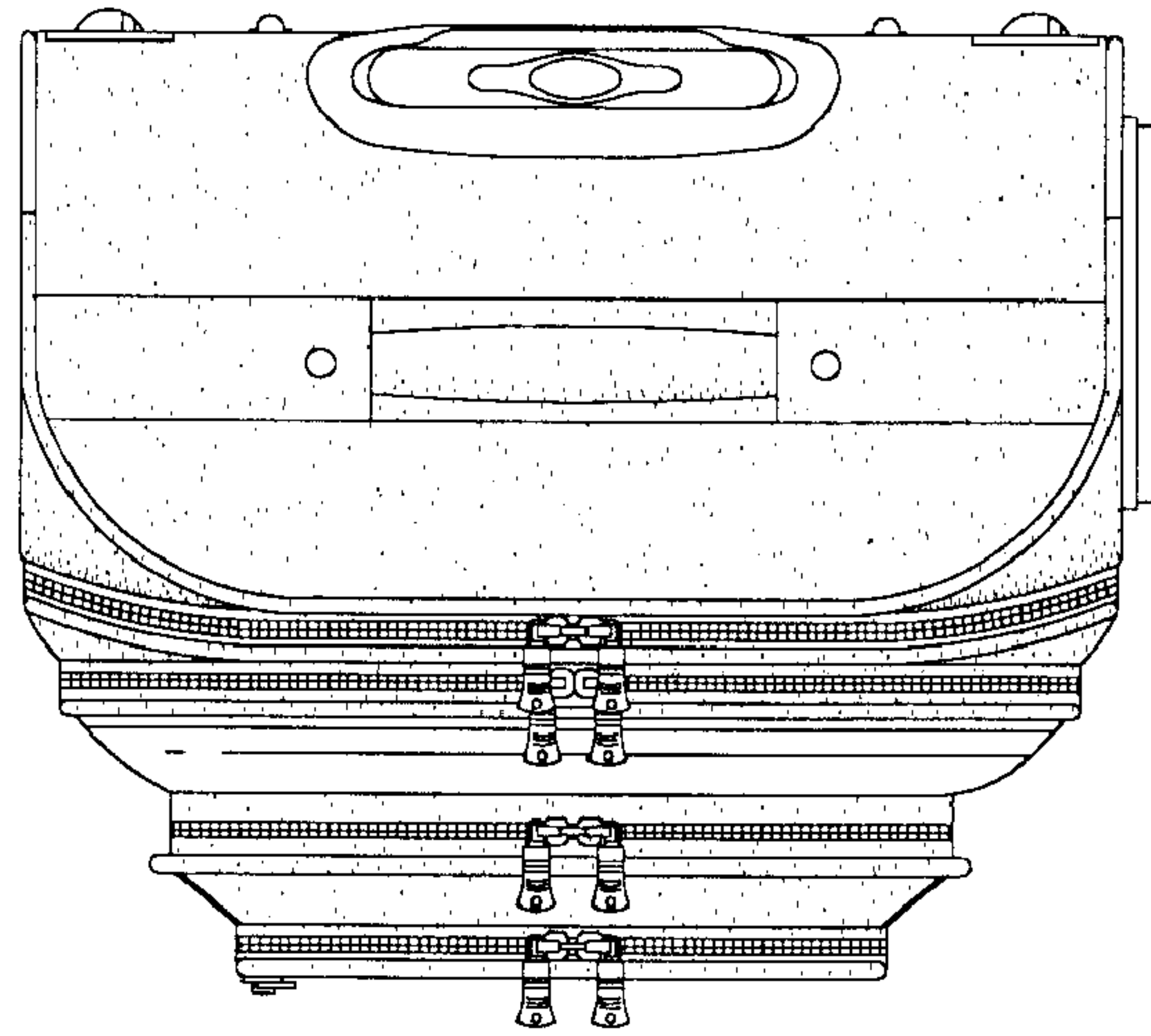


FIG. 6

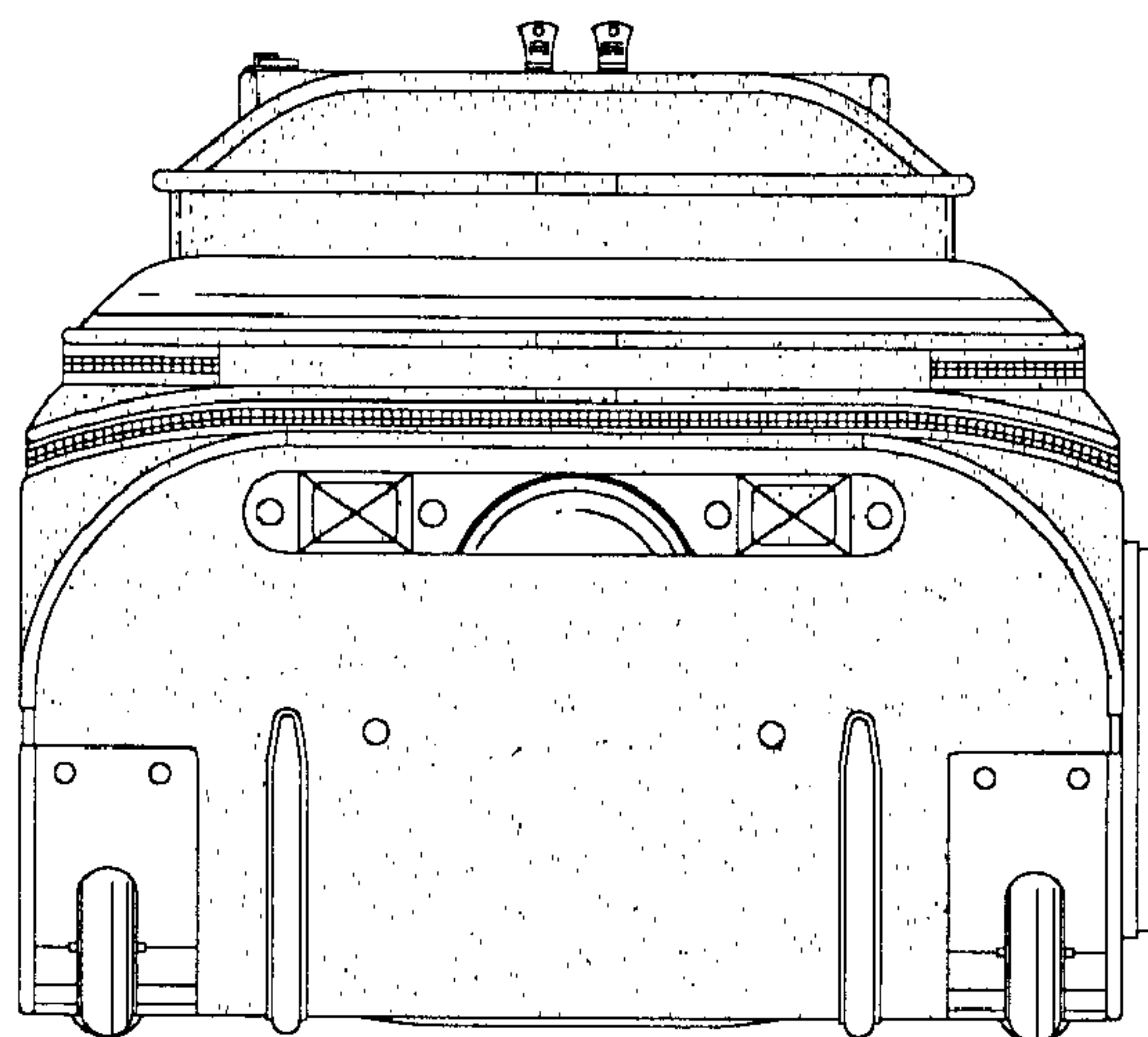


FIG. 7