



US00D534349S

(12) **United States Design Patent**  
**Cardoso**

(10) **Patent No.:** **US D534,349 S**

(45) **Date of Patent:** **\*\* Jan. 2, 2007**

(54) **HANDBAG**

(75) Inventor: **Leylani Cardoso**, Miami, FL (US)

(73) Assignee: **NuFold, Inc.**, Miami, FL (US)

(\*\*) Term: **14 Years**

(21) Appl. No.: **29/237,382**

(22) Filed: **Aug. 29, 2005**

(51) **LOC (8) Cl.** ..... **03-01**

(52) **U.S. Cl.** ..... **D3/243**

(58) **Field of Classification Search** ..... D3/201,  
D3/205, 230–246, 900–902, 303, 315, 226,  
D3/276, 289; 190/1, 100, 112, 102–110;  
150/30–31, 100, 103–104, 106–115, 117–122,  
150/127–128, 130; D9/654, 702–704  
See application file for complete search history.

(56) **References Cited**

**U.S. PATENT DOCUMENTS**

- 905,034 A \* 11/1908 Weidemann ..... 150/123
- 1,450,570 A \* 4/1923 Zukerberg ..... 190/115
- D112,826 S \* 1/1939 Goldsmith ..... D3/246
- D135,568 S \* 4/1943 Botham ..... D3/243

- D461,633 S \* 8/2002 Guyon ..... D3/246
- D489,892 S \* 5/2004 Cassegrain ..... D3/246
- D489,896 S \* 5/2004 Cassegrain ..... D3/246

\* cited by examiner

*Primary Examiner*—Louis S. Sarfas

*Assistant Examiner*—Kathleen Sims

(74) *Attorney, Agent, or Firm*—Ruden, McClosky, Smith,  
Schuster & Russell, P.A.; Stanley A. Kim

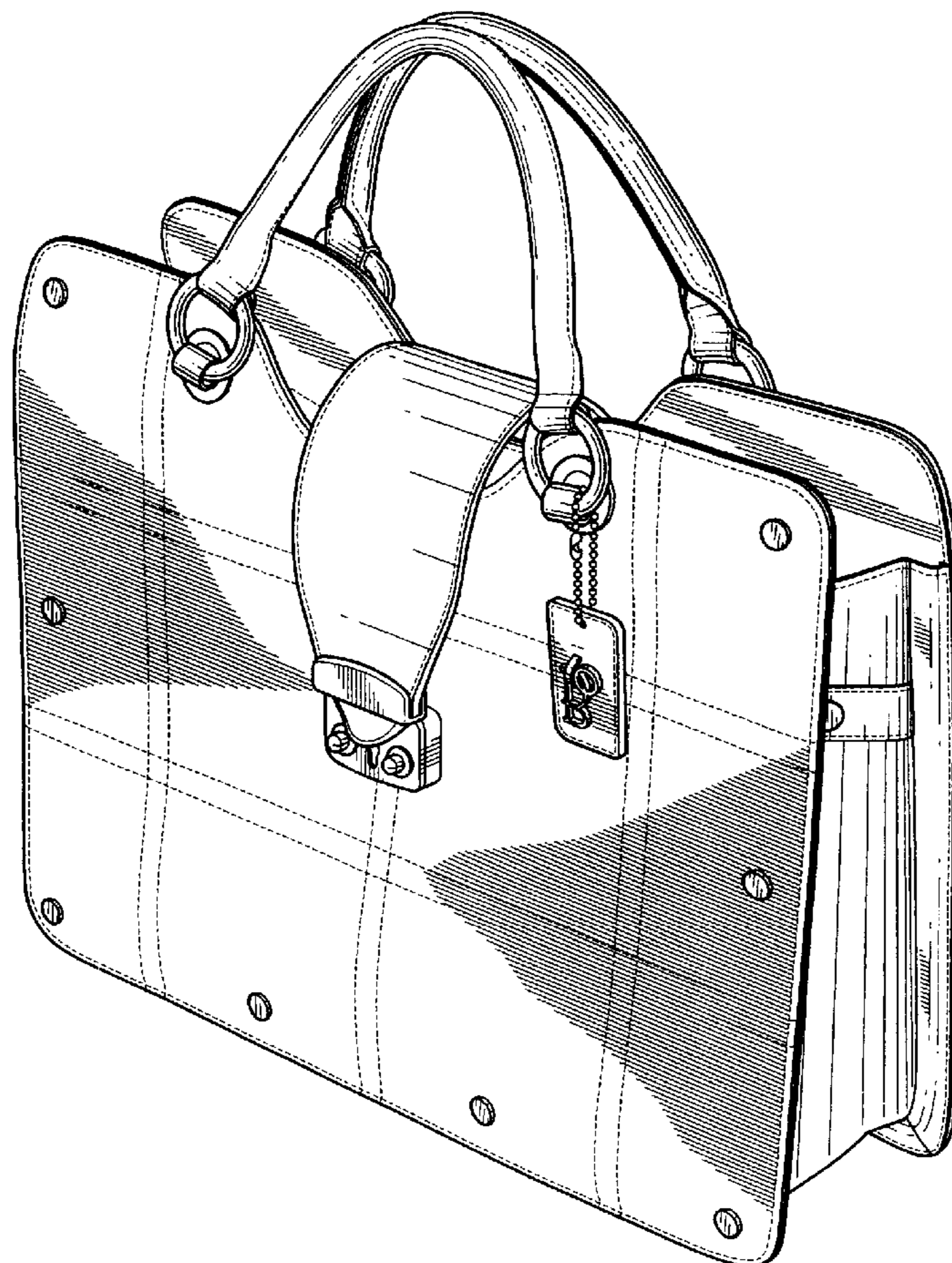
(57) **CLAIM**

The ornamental design for a handbag, as shown and described.

**DESCRIPTION**

FIG. 1 is a perspective view of the handbag.  
FIG. 2 is a front view of the handbag.  
FIG. 3 is a rear view of the handbag.  
FIG. 4 is a right side view of the handbag.  
FIG. 5 is a left side view of the handbag.  
FIG. 6 is a top view of the handbag; and,  
FIG. 7 is a bottom view of the handbag.  
The broken lines shown in FIGS. 1–5 represent conventional stitching.

**1 Claim, 5 Drawing Sheets**



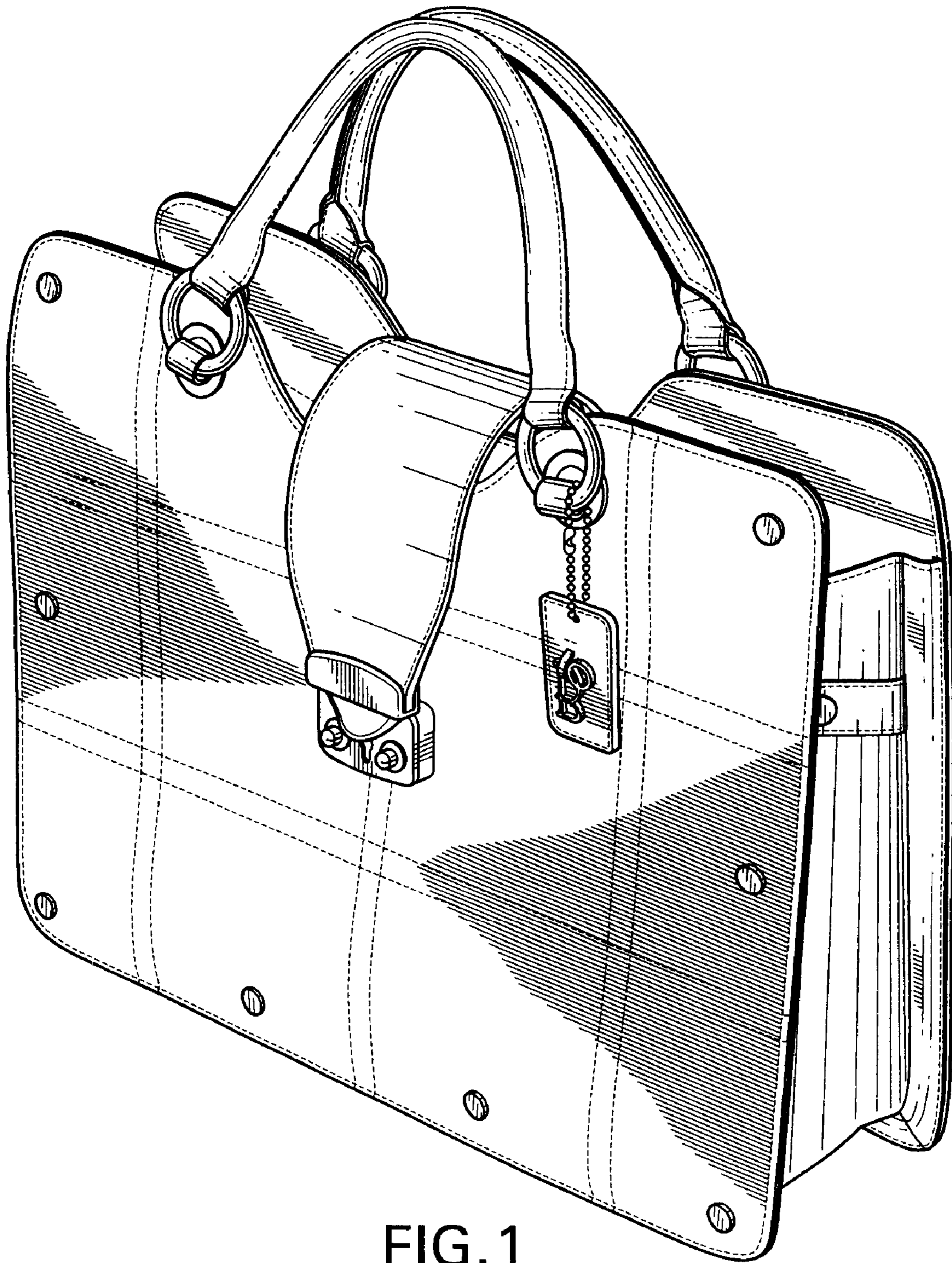


FIG. 1

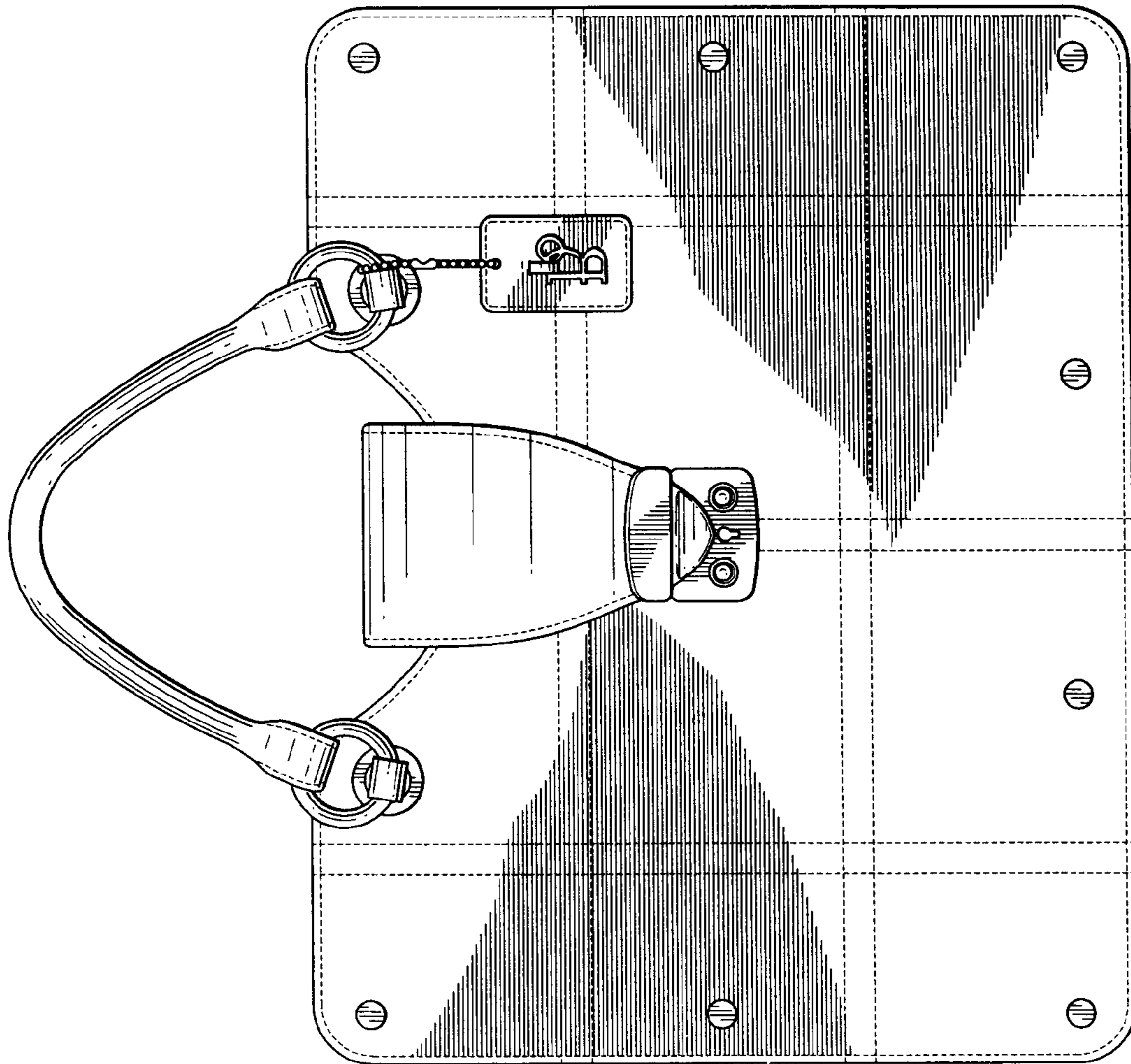


FIG.2

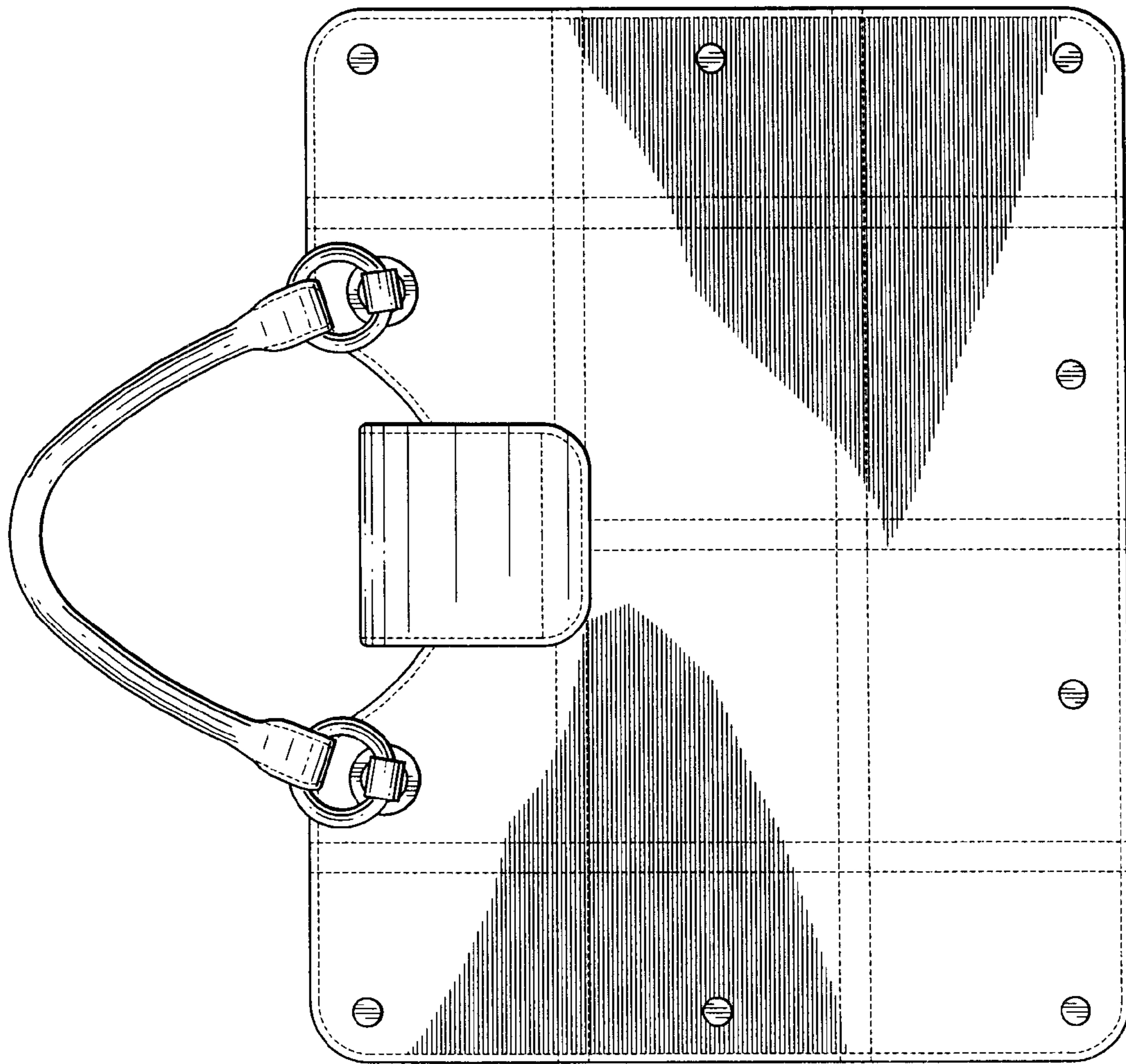


FIG. 3

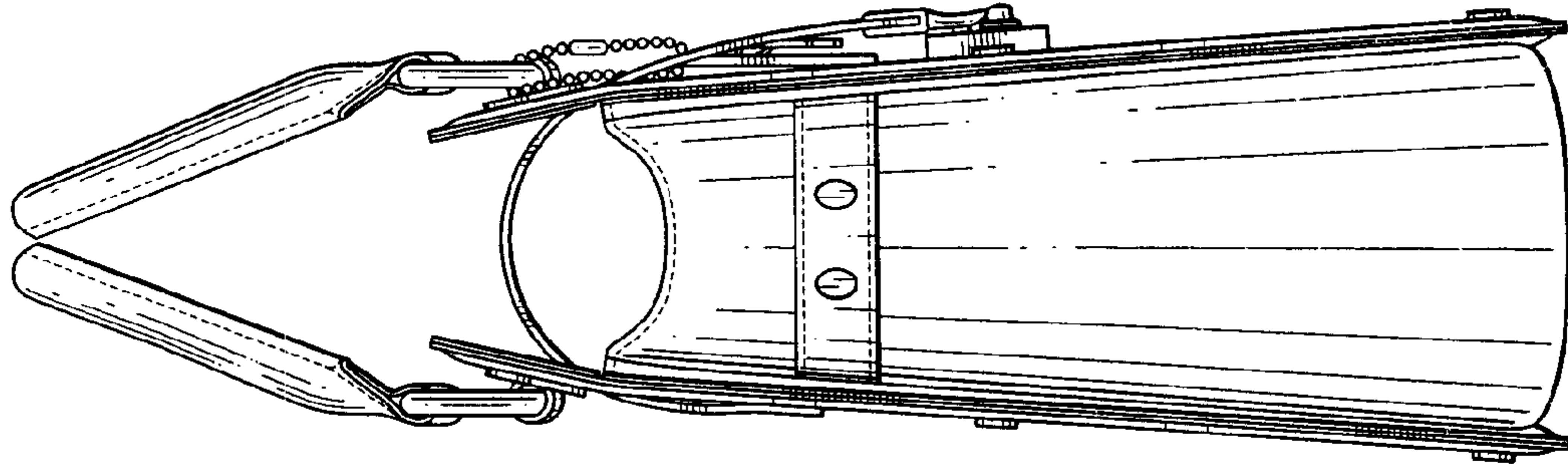


FIG. 5

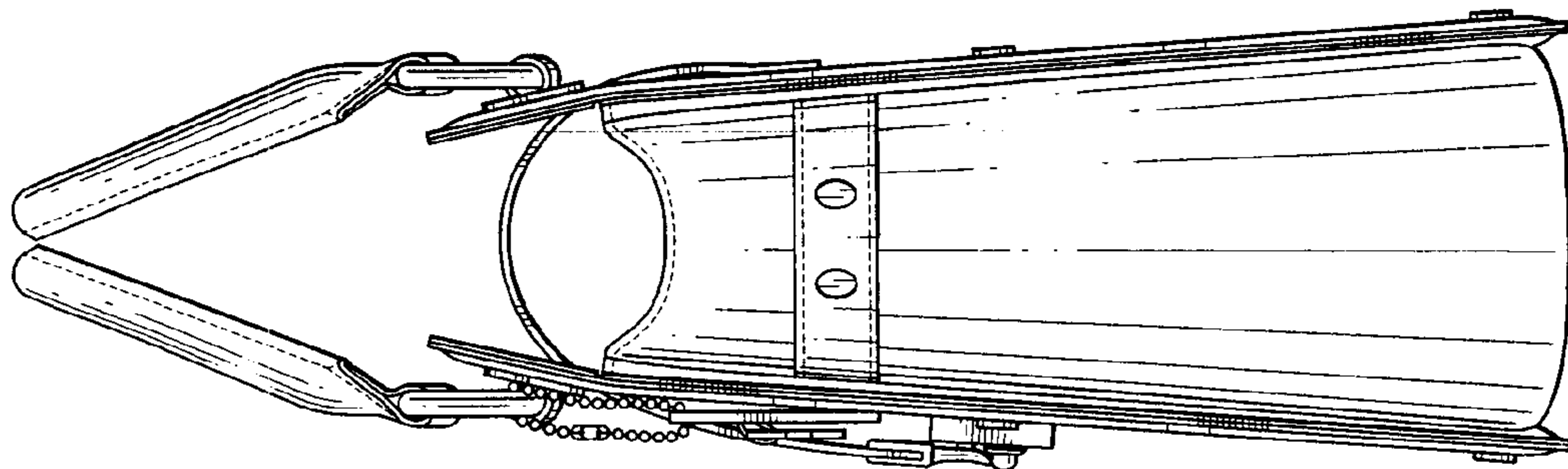


FIG. 4

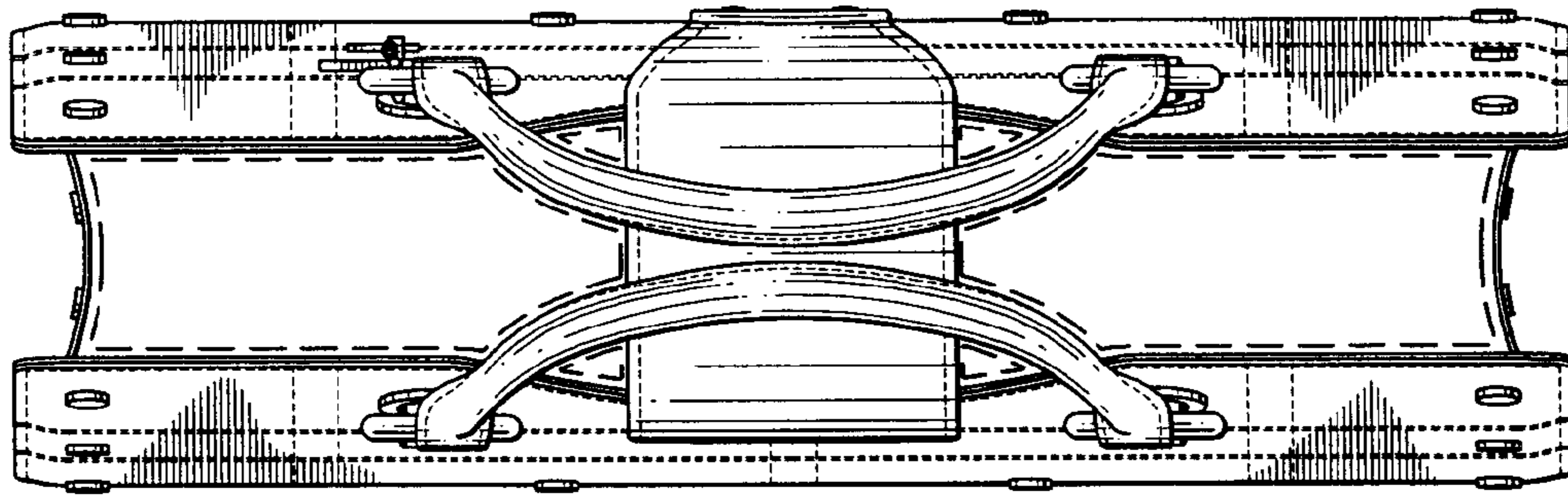


FIG. 6

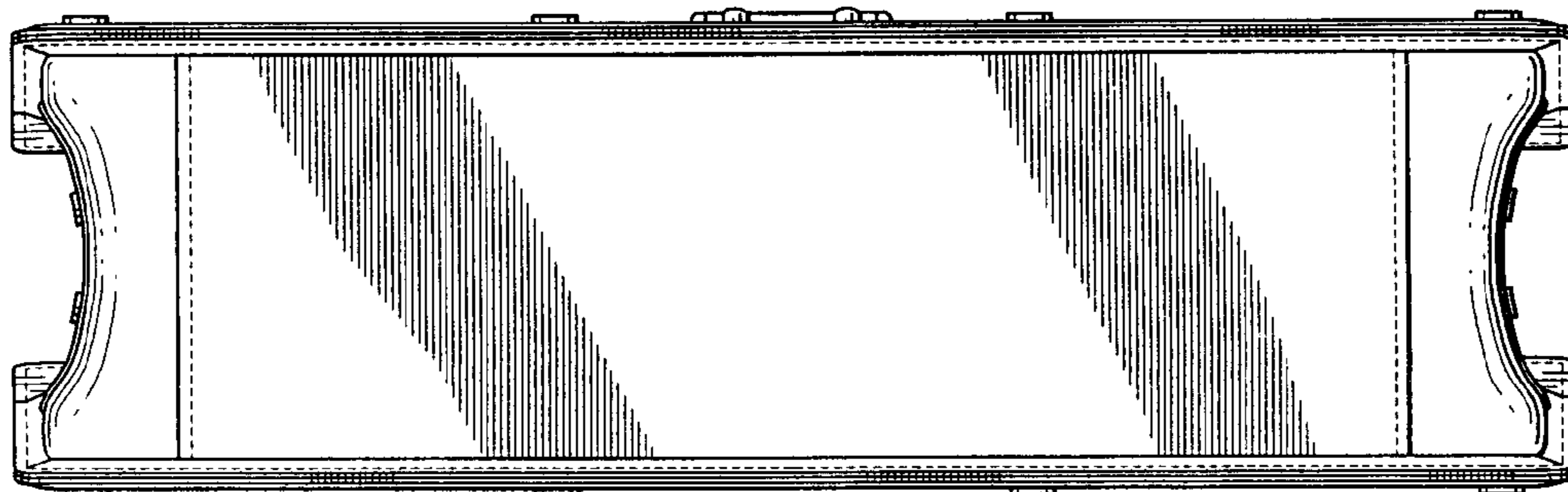


FIG. 7