



US00D534332S

(12) **United States Design Patent**
McClaskie

(10) **Patent No.:** **US D534,332 S**

(45) **Date of Patent:** **** Jan. 2, 2007**

(54) **OUTSOLE FOR A SHOE**

(76) **Inventor:** **Thomas E. McClaskie**, 1803 Meadow Ridge Ct., Bethlehem, PA (US) 18015

(**) **Term:** **14 Years**

(21) **Appl. No.:** **29/213,394**

(22) **Filed:** **Sep. 16, 2004**

(51) **LOC (8) Cl.** **02-04**

(52) **U.S. Cl.** **D2/95; D2/947; D2/954; D2/956**

(58) **Field of Classification Search** D2/902, D2/946-949, 951-960; 36/3 B, 22 R, 24.5, 36/25 R, 28, 32 R, 34 R, 67 A, 59 C
See application file for complete search history.

(56) **References Cited**

U.S. PATENT DOCUMENTS

D84,816 S	*	8/1931	Freudenberg	D5/16
1,974,543 A		9/1934	Reymond		
2,046,217 A		6/1936	Strauss		
2,079,237 A		5/1937	Allard		
2,160,768 A		5/1939	Wasser		
2,344,069 A		3/1944	Wasser		
D145,943 S	*	11/1946	Knisely	D2/955
3,091,871 A		6/1963	Tronche		
3,175,310 A		3/1965	MacQuaid		
3,175,311 A		3/1965	MacQuaid		
3,191,321 A		6/1965	Brutting		
3,213,551 A		10/1965	Krauss		
3,407,518 A		10/1968	MacQuaid et al.		
3,525,165 A		8/1970	Randall, Jr.		
3,561,142 A		2/1971	Streit, Sr. et al.		
4,231,170 A		11/1980	Griswold	36/72
4,366,629 A		1/1983	Scherz	36/4
4,562,652 A		1/1986	Hensler	36/102
4,908,963 A		3/1990	Krajcir et al.	36/77
4,995,174 A		2/1991	Hong et al.	36/72
5,048,203 A		9/1991	Kling	36/32
5,185,944 A		2/1993	Okajima	36/45

D343,507 S	*	1/1994	Gramola	D2/948
D346,480 S	*	5/1994	Davidson	D2/961
5,499,459 A		3/1996	Tomaro	36/10
5,526,584 A		6/1996	Bleimhofer et al.	36/10
D378,240 S	*	3/1997	Merceron	D2/953
5,738,937 A		4/1998	Baychar	428/316.6
D480,203 S	*	10/2003	Matis et al.	D2/952
D485,663 S	*	1/2004	Magro	D2/916
D495,121 S	*	8/2004	McClaskie	D2/952
D495,856 S	*	9/2004	McClaskie	D2/952
D499,535 S	*	12/2004	McClaskie	D2/953
D503,263 S	*	3/2005	Lebo	D2/952
D505,778 S	*	6/2005	McClaskie	D2/959
D509,647 S	*	9/2005	McClaskie	D2/952
D513,839 S	*	1/2006	McClaskie	D2/952
2003/0139219 A1	*	7/2003	Kurzweil	472/136

* cited by examiner

Primary Examiner—Celia A. Murphy

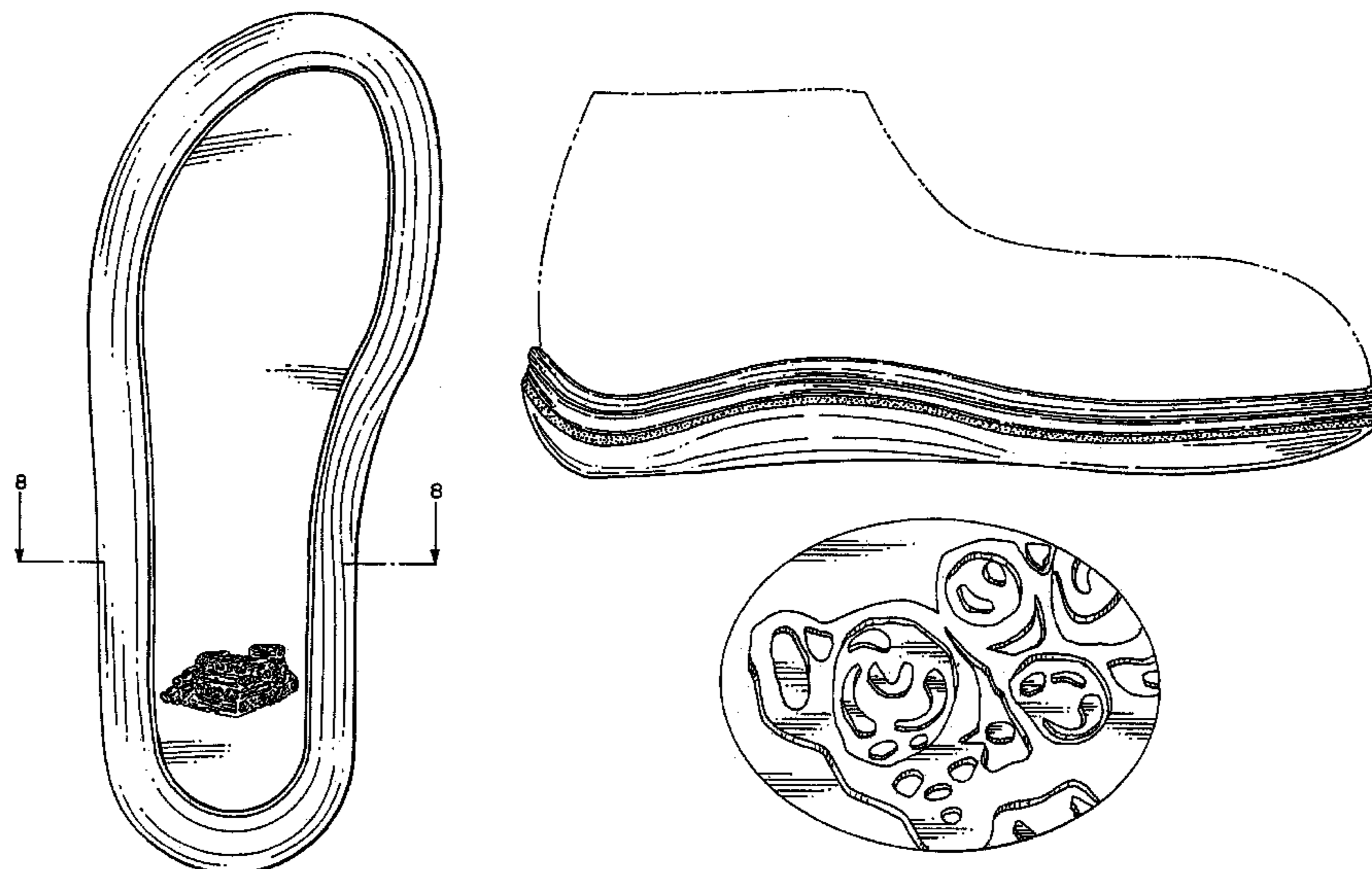
(57) **CLAIM**

I claim the ornamental design for an outsole for a shoe, as shown and described.

DESCRIPTION

FIG. 1 is a bottom plan view of an outsole for a shoe showing my new design;
 FIG. 2 is a left side view thereof;
 FIG. 3 is a right side view thereof;
 FIG. 4 is a front view thereof;
 FIG. 5 is a rear view thereof;
 FIG. 6 is an enlarged view of the feature shown on the heel in FIG. 1
 FIG. 7 is a detail view of the area labeled as 7 in FIG. 6; and,
 FIG. 8 is a cross sectional view taken line 8—8 of FIG. 1.
 The broken lines showing a shoe upper in FIGS. 2-5 along with the broken lines in the cross-section shown in FIG. 8 represent the portions of the design that form no part of the claim.

1 Claim, 6 Drawing Sheets



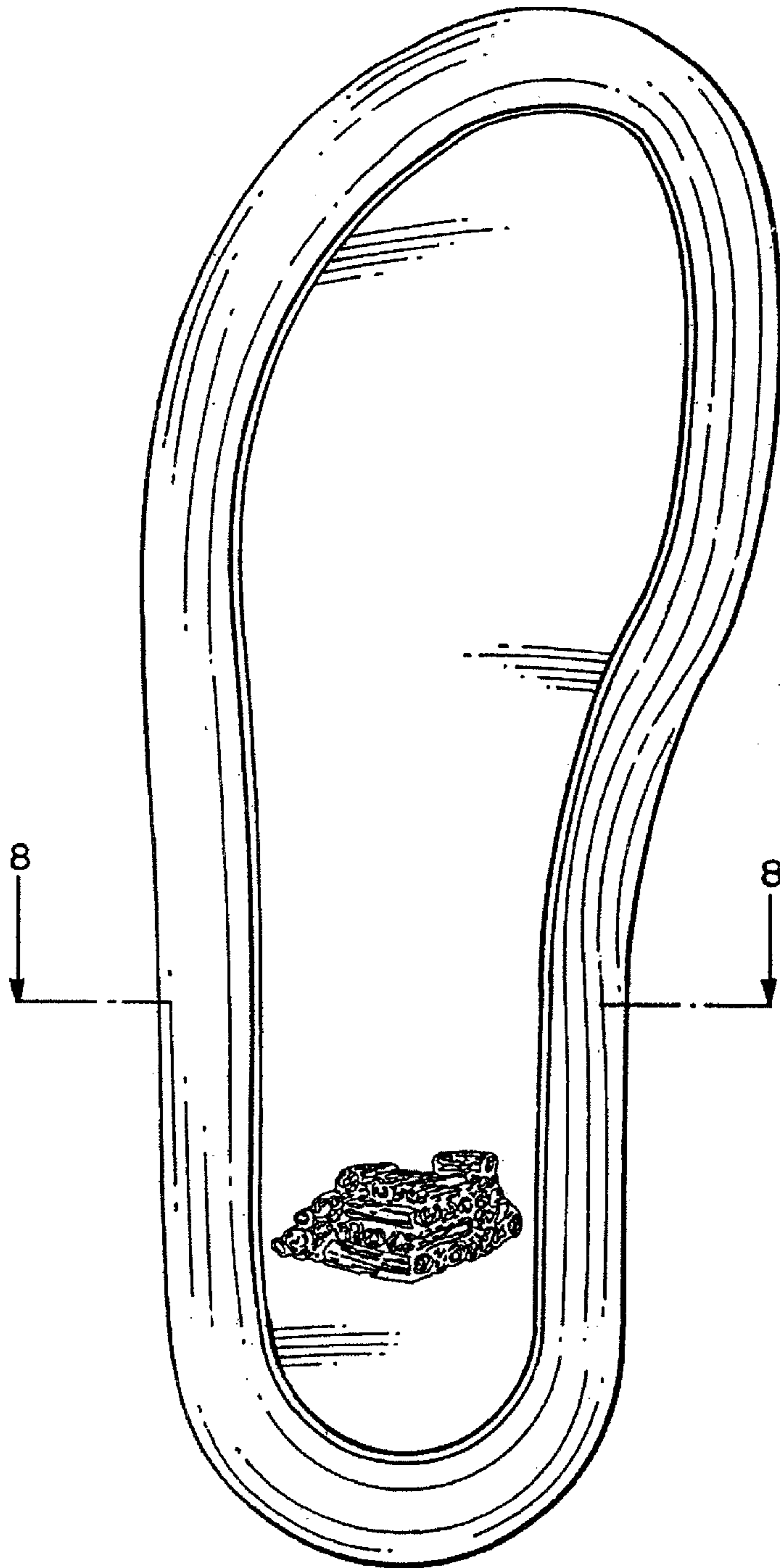


FIG. 1

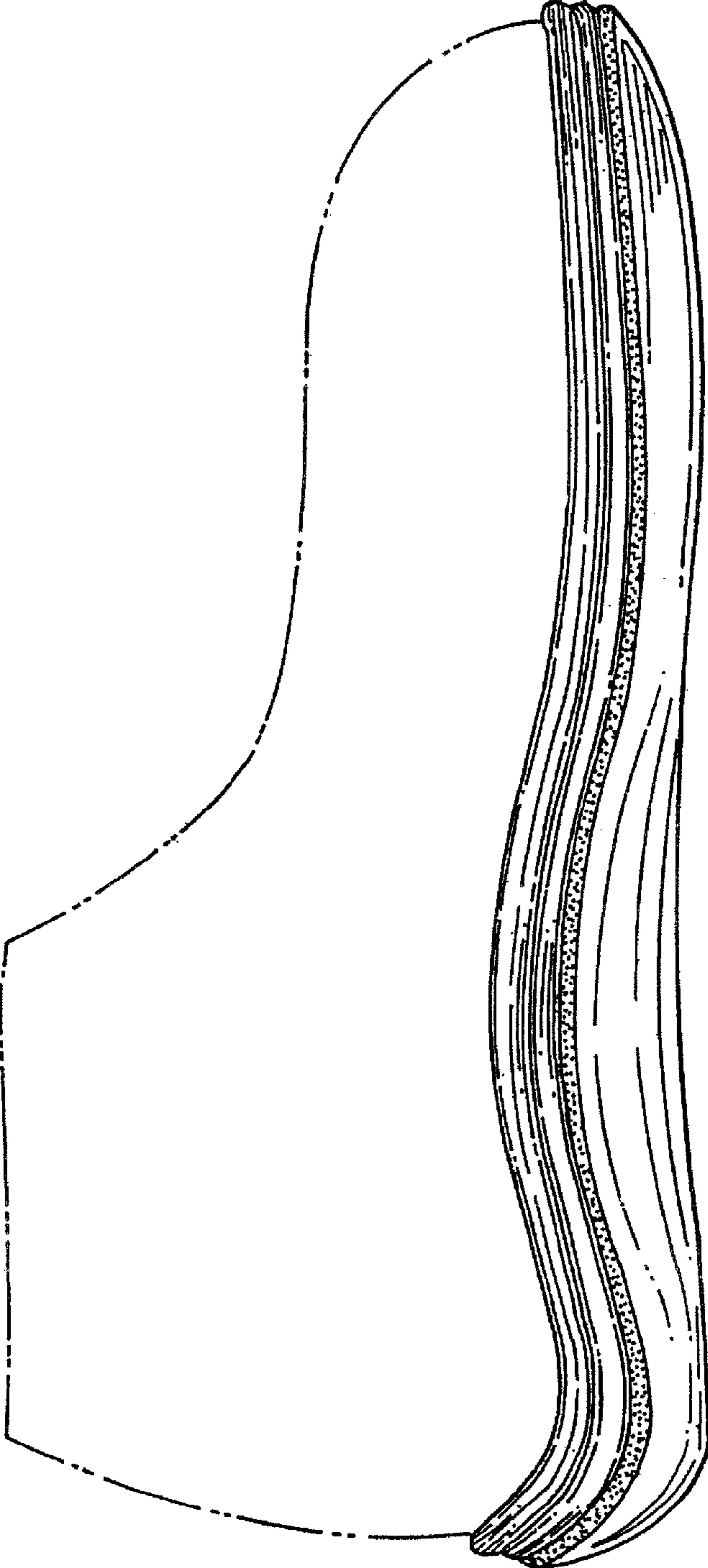


FIG. 2

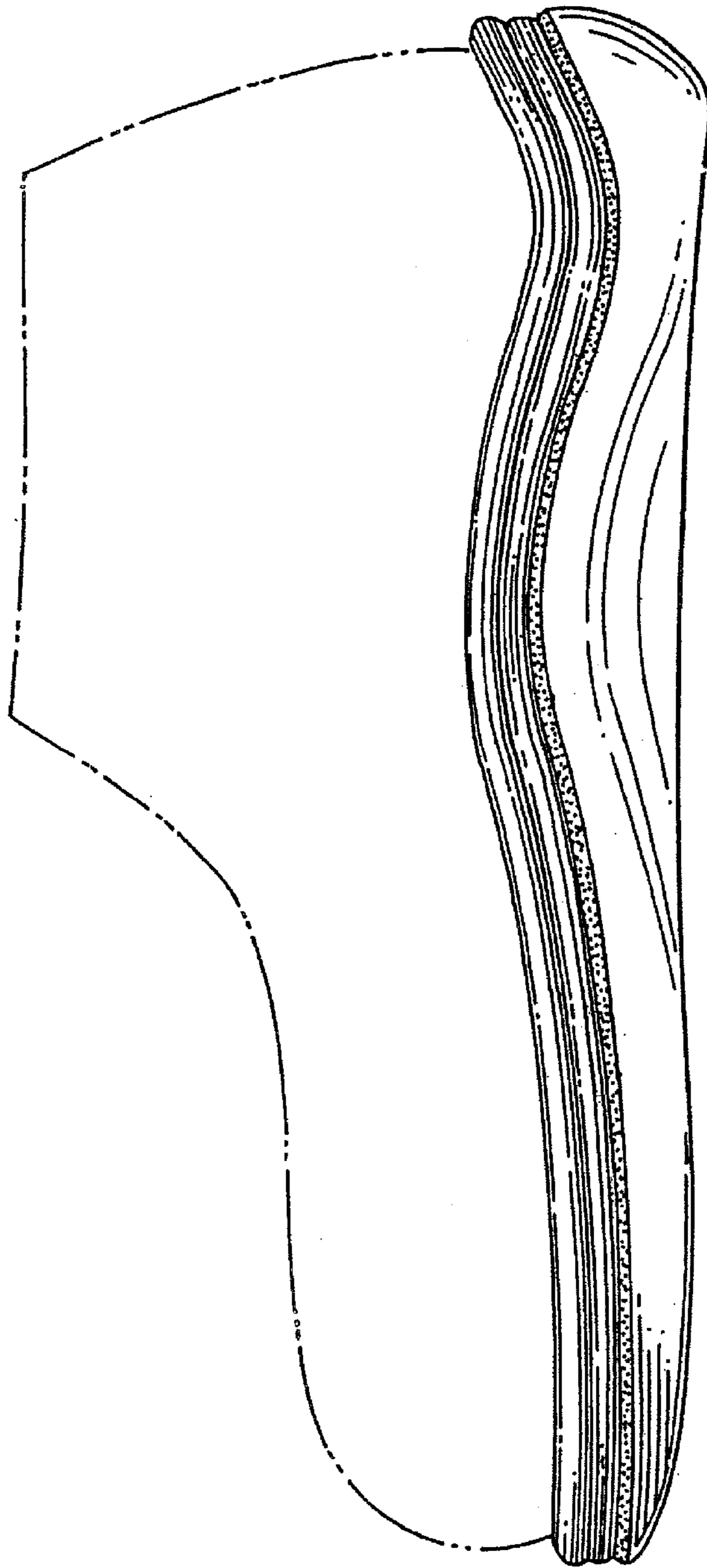


FIG. 3

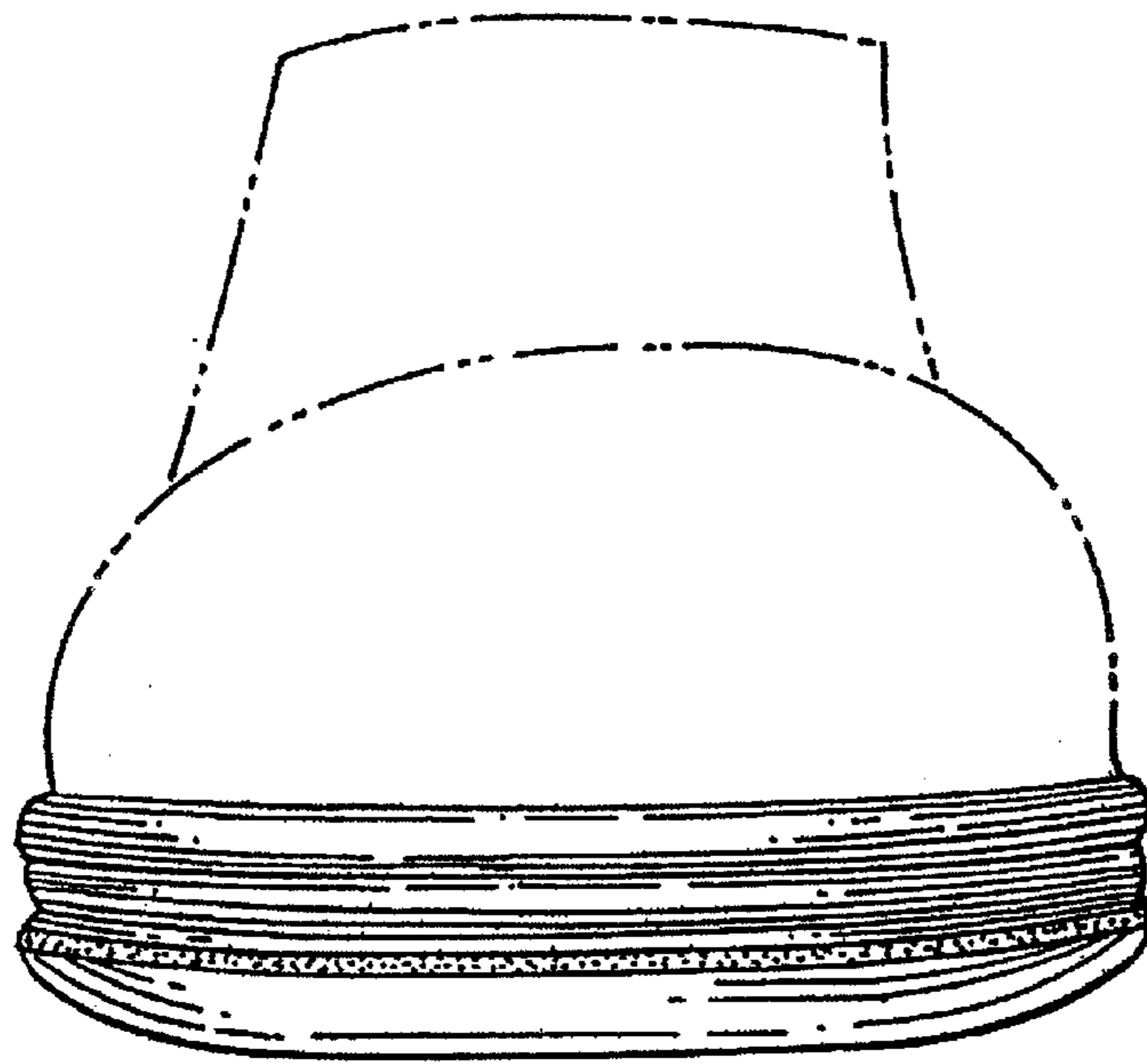


FIG. 4

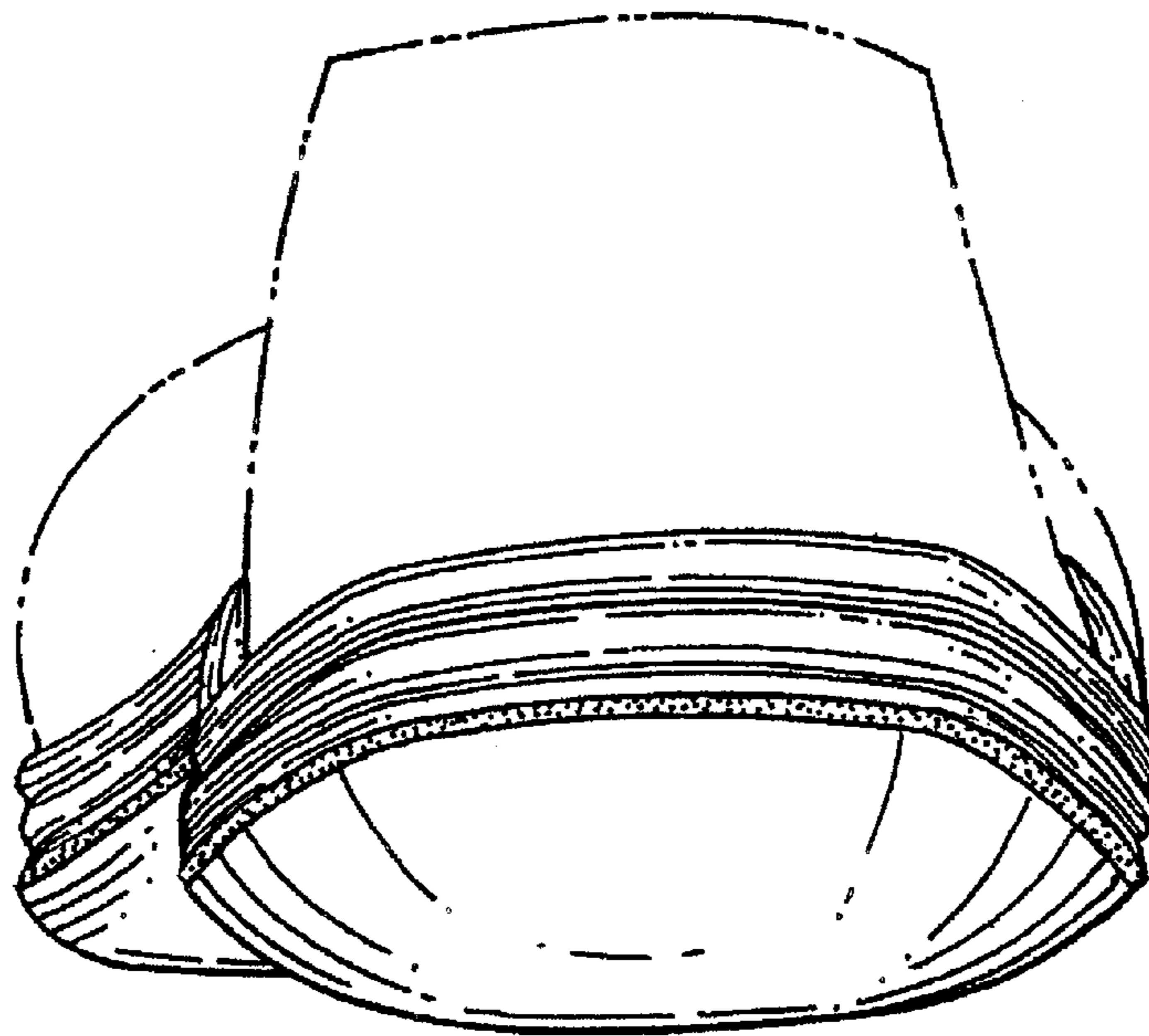


FIG. 5

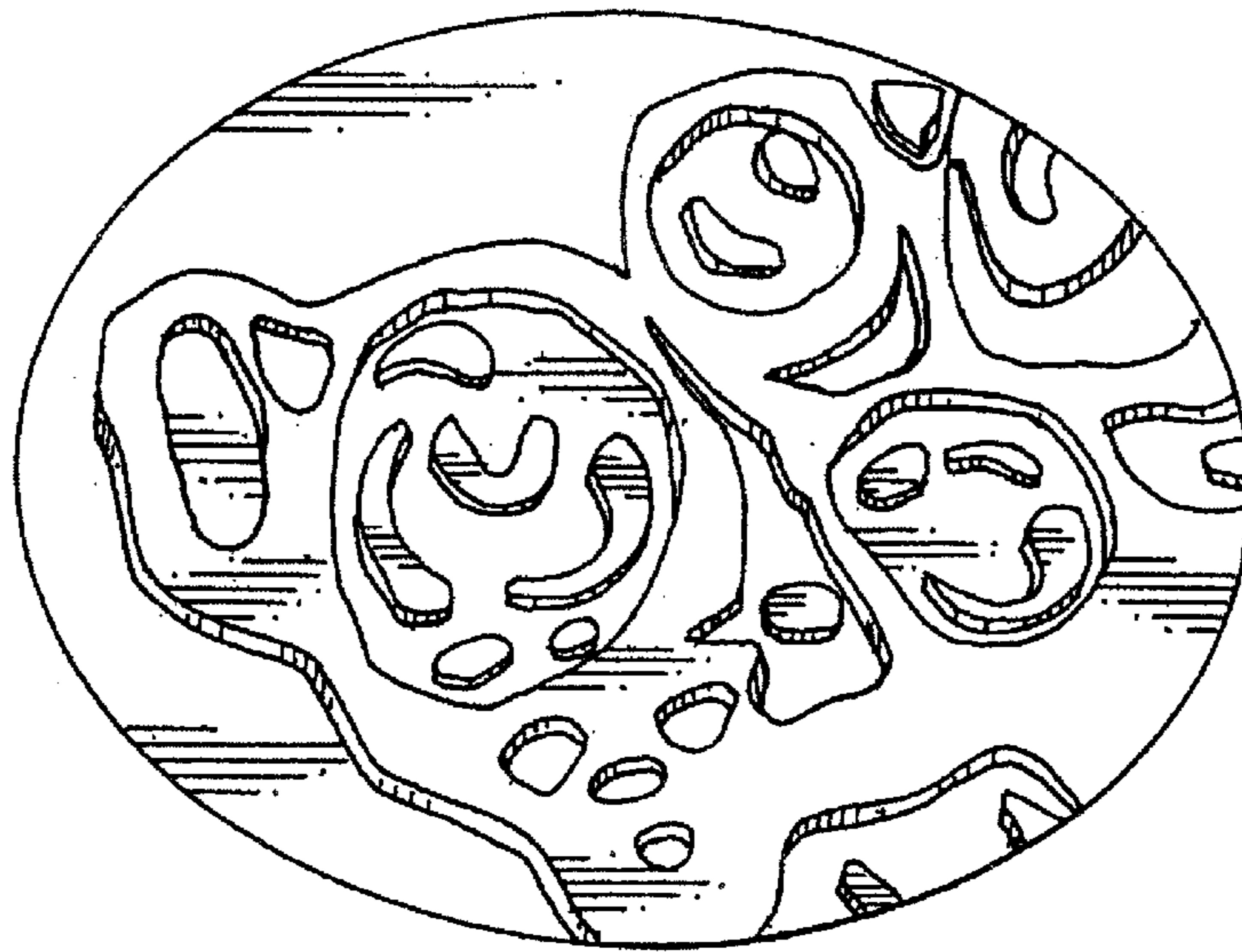


FIG. 7

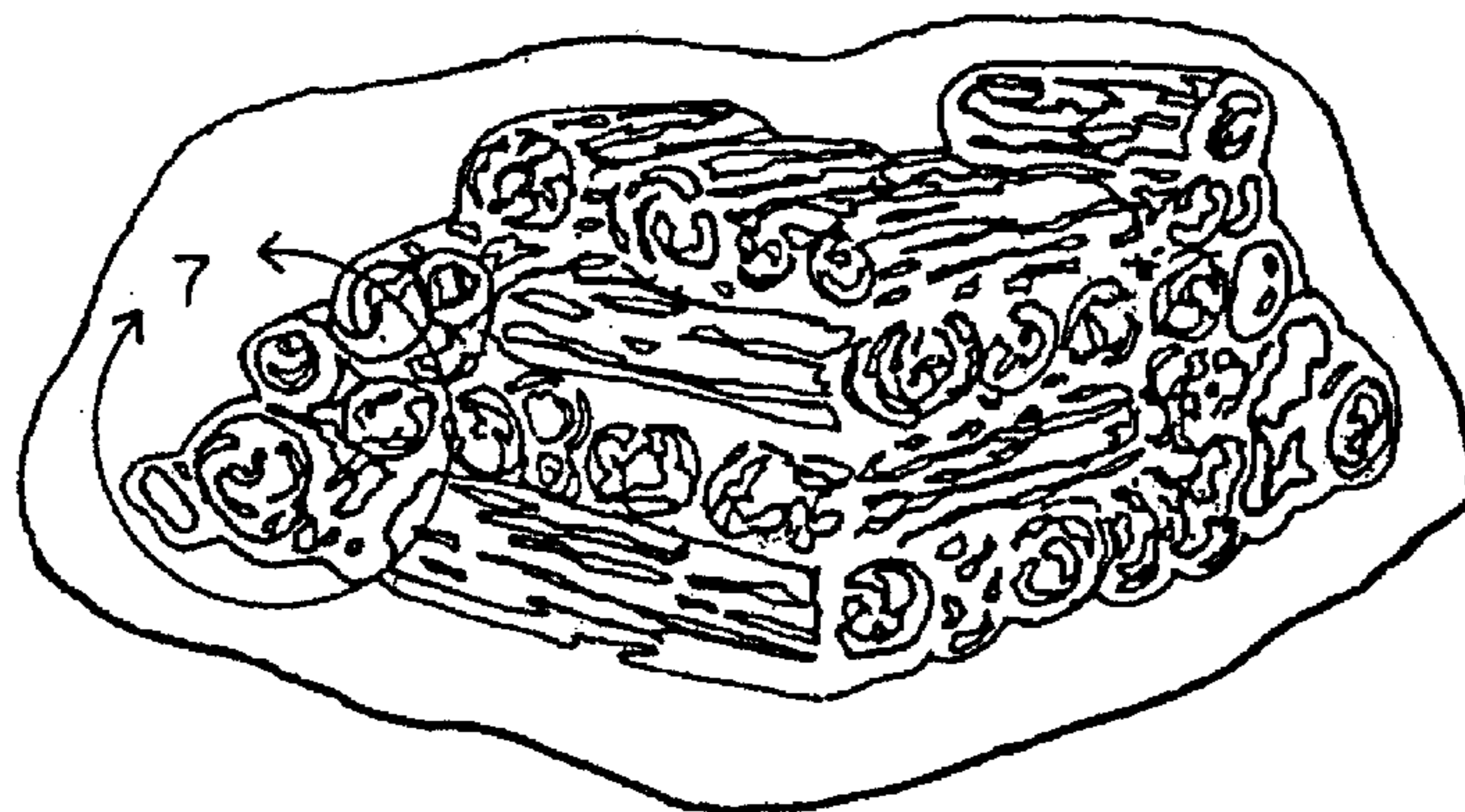


FIG. 6

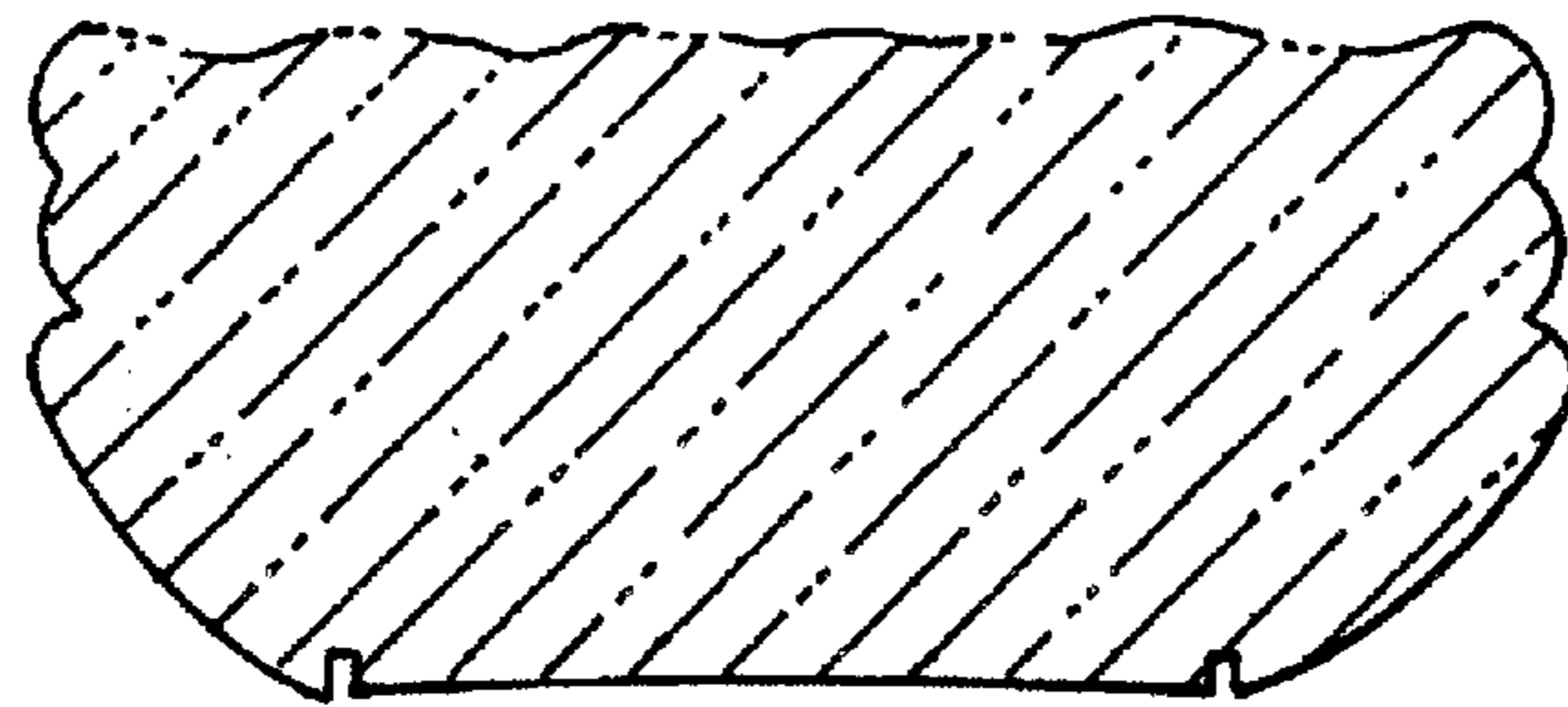


FIG. 8

UNITED STATES PATENT AND TRADEMARK OFFICE
CERTIFICATE OF CORRECTION

PATENT NO. : Des. 534,332 S
APPLICATION NO. : 29/213394
DATED : January 2, 2007
INVENTOR(S) : Thomas E. McClaskie

Page 1 of 1

It is certified that error appears in the above-identified patent and that said Letters Patent is hereby corrected as shown below:

Title Page insert:

-- Item (73) Assignee: Columbia Insurance Company, Omaha, NE (US) -- and
-- Item (74) *Attorney, Agent, or Firm* – St. Onge Steward Johnston & Reens LLC. --

Signed and Sealed this

Thirteenth Day of March, 2007

A handwritten signature in black ink on a dotted background. The signature reads "Jon W. Dudas" in a cursive style.

JON W. DUDAS

Director of the United States Patent and Trademark Office