



US00D534331S

(12) **United States Design Patent**
Axelrod

(10) **Patent No.:** **US D534,331 S**

(45) **Date of Patent:** **** Jan. 2, 2007**

(54) **PET CHEW**

(75) Inventor: **Glen S. Axelrod**, Colts Neck, NJ (US)

(73) Assignee: **T.F.H. Publications, Inc.**, Neptune City, NJ (US)

(**) Term: **14 Years**

(21) Appl. No.: **29/252,539**

(22) Filed: **Jan. 24, 2006**

(51) **LOC (8) Cl.** **01-06**

(52) **U.S. Cl.** **D1/121; D1/122**

(58) **Field of Classification Search** D1/101,
D1/121-2, 125, 127-9, 199; 426/76, 94,
426/104, 144, 805; D30/160; 119/709
See application file for complete search history.

(56) **References Cited**

U.S. PATENT DOCUMENTS

D116,174 S	*	8/1939	Trabold	D1/199
2,246,770 A	*	6/1941	Wessel	426/87
D231,417 S	*	4/1974	Maiola	D1/121
D239,215 S	*	3/1976	Miller	D1/120
D270,299 S	*	8/1983	Arend	D1/199
D277,045 S	*	1/1985	Arend	D1/199
D283,460 S	*	4/1986	Thomassen et al.	D1/121
D309,520 S	*	7/1990	Thomassen et al.	D1/121
D404,887 S	*	2/1999	Prins	D1/129
D429,866 S	*	8/2000	Zhang et al.	D1/121

D439,391 S	*	3/2001	Sheen et al.	D1/101
D469,238 S	*	1/2003	Bedi et al.	D1/121
D498,896 S	*	11/2004	Stoddart et al.	D1/101

* cited by examiner

Primary Examiner—Robin Webster

Assistant Examiner—Karen E. Patterson

(74) *Attorney, Agent, or Firm*—Grossman, Tucker, Perreault & Pfeleger, PLLC

(57) **CLAIM**

The original design for a pet chew, as shown and described.

DESCRIPTION

FIG. 1 is a perspective view of a first embodiment of a pet chew of the present invention;

FIG. 2 is a top view of the pet chew of FIG. 1;

FIG. 3 is a bottom view of the pet chew of FIG. 1;

FIG. 4 is a front view of the pet chew of FIG. 1;

FIG. 5 is a rear view of the pet chew of FIG. 1;

FIG. 6 is a left side view of the pet chew of FIG. 1;

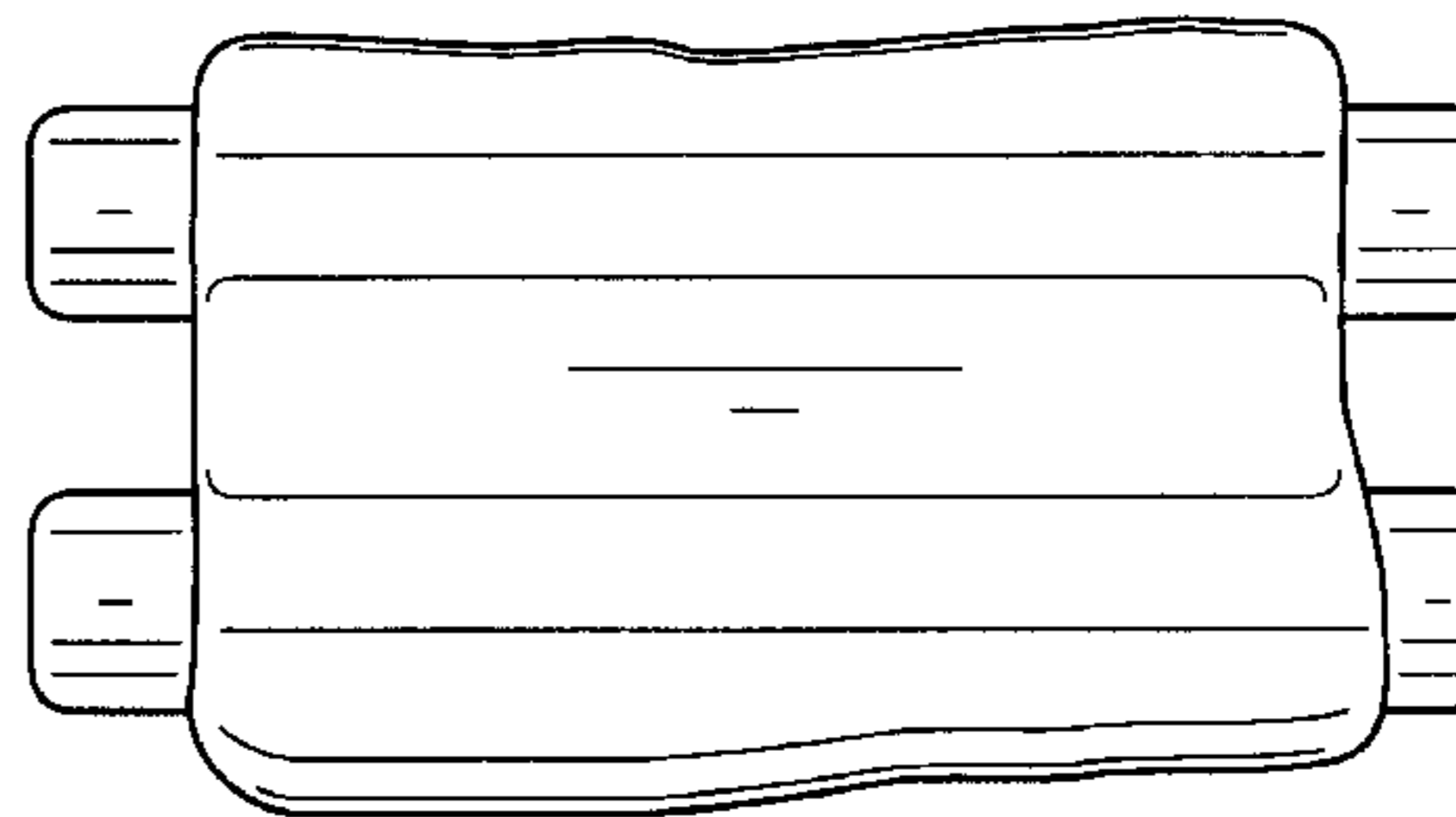
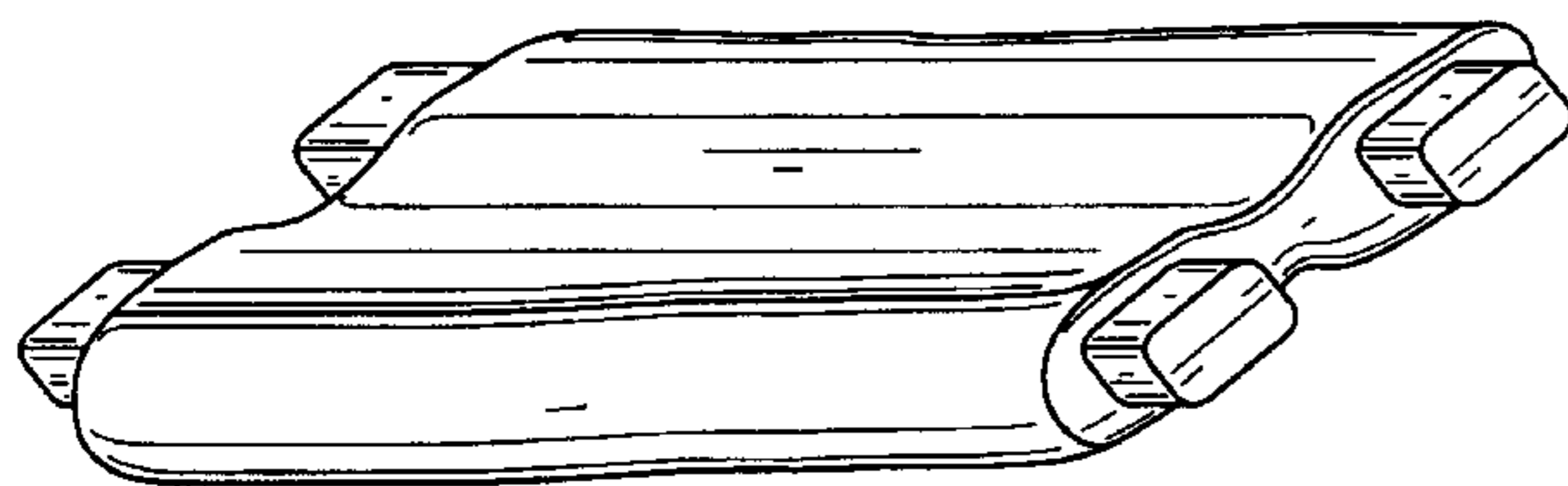
FIG. 7 is a right side view of the pet chew of FIG. 1;

FIG. 8 is a perspective view of a pet chew of FIG. 1 shown in a different environment; and,

FIG. 9 is a perspective view of a pet chew of FIG. 1 shown in a different environment.

The broken lines are for illustrative purposes only and form no part of the claimed invention.

1 Claim, 9 Drawing Sheets



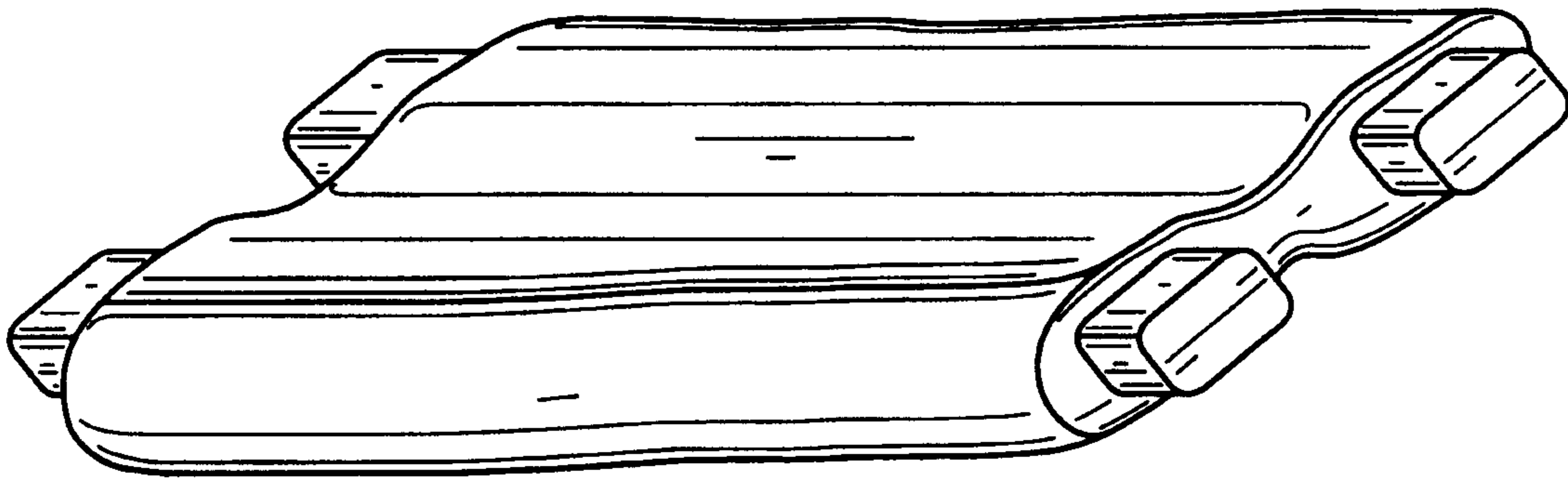


FIG. 1

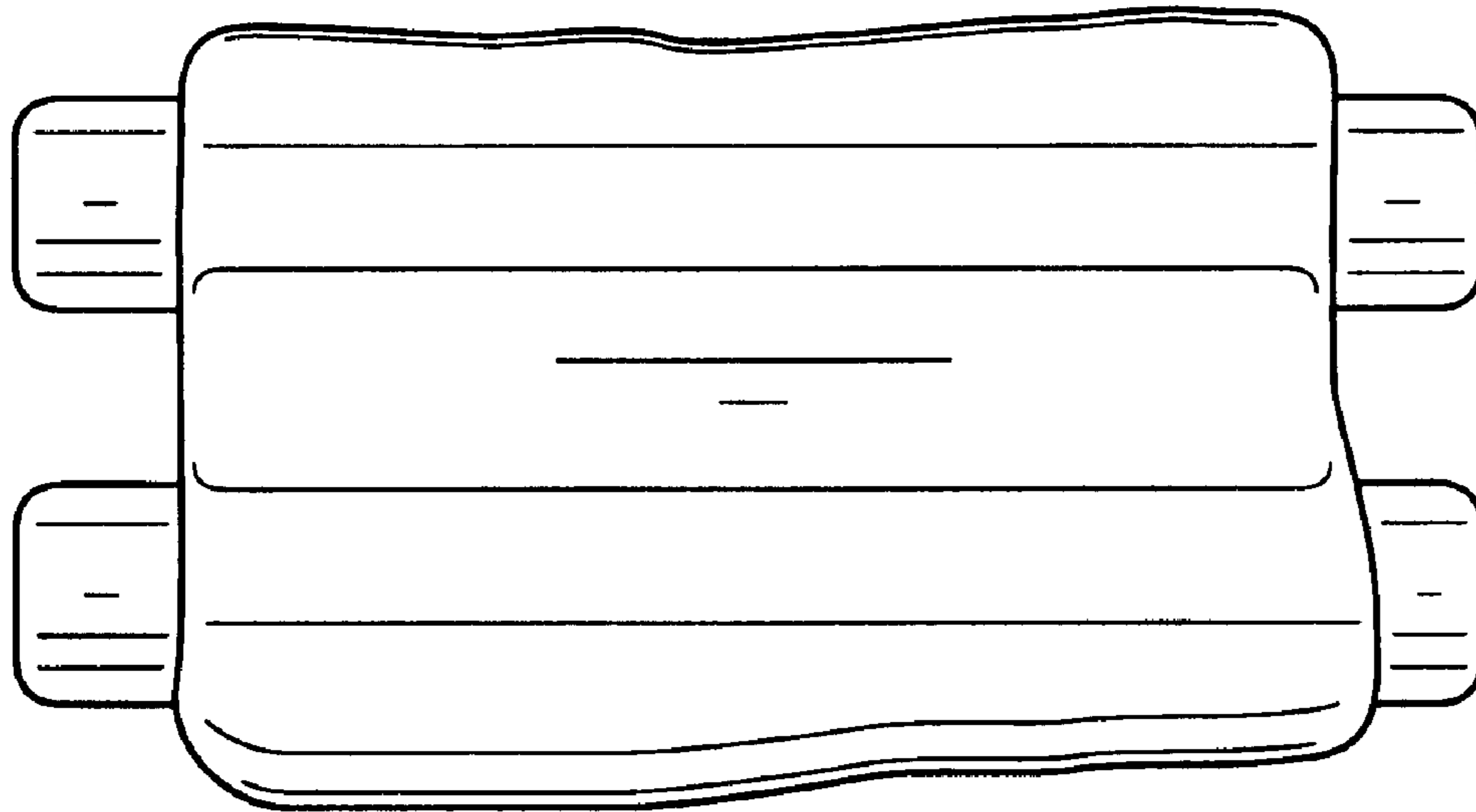


FIG. 2

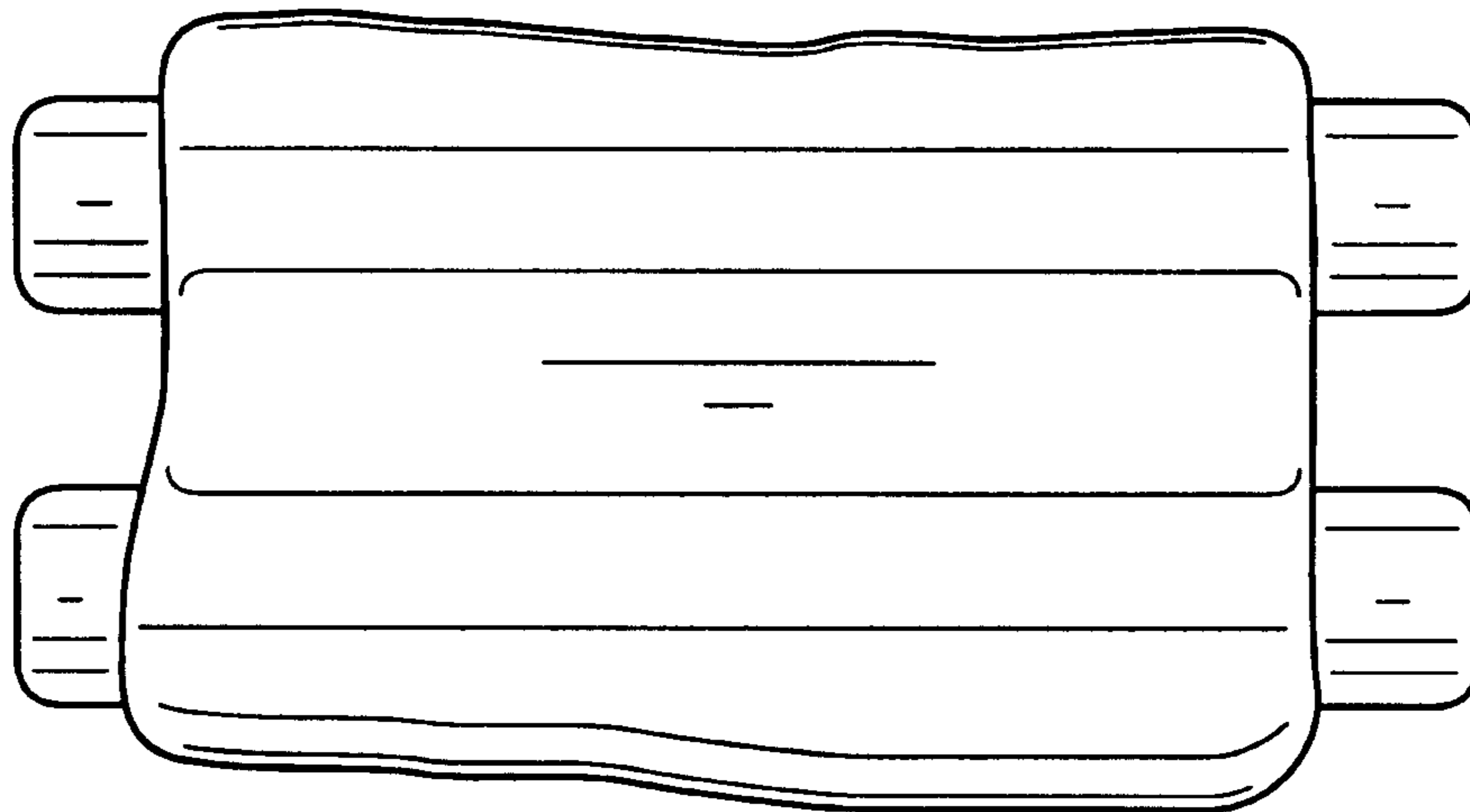


FIG. 3

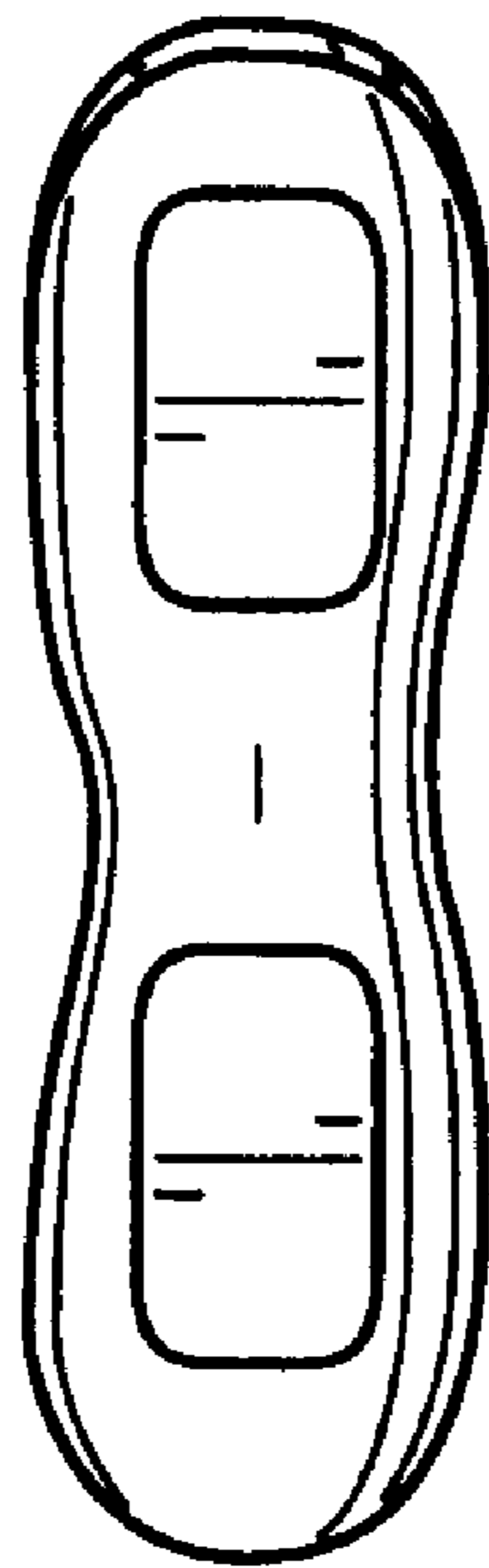


FIG. 4

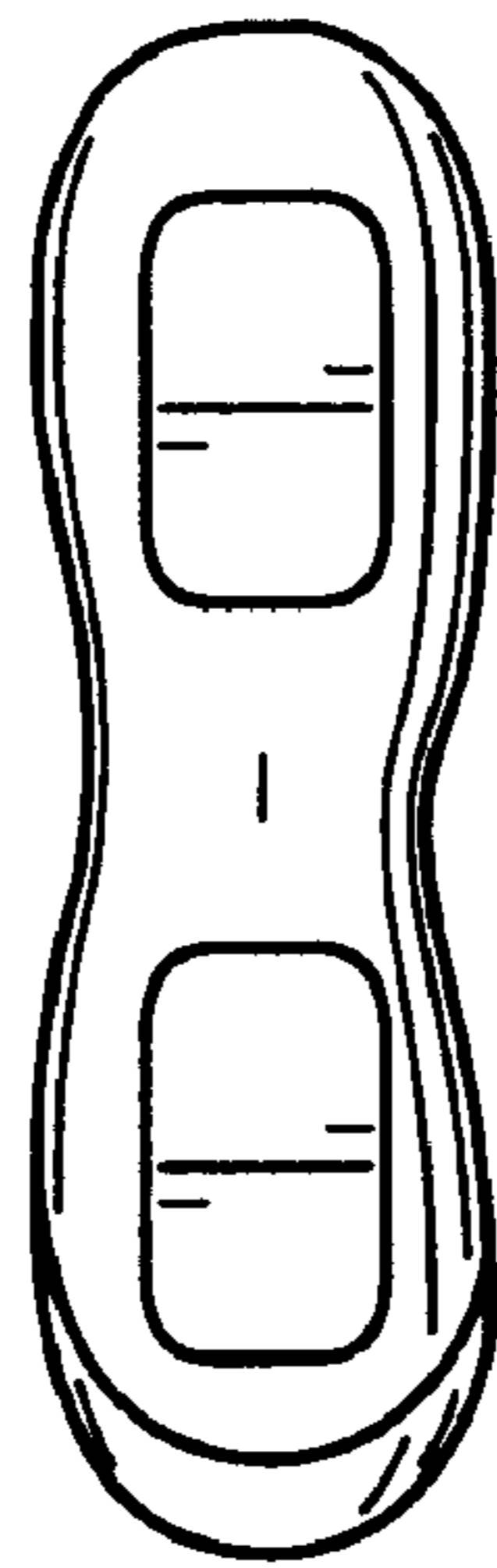


FIG. 5

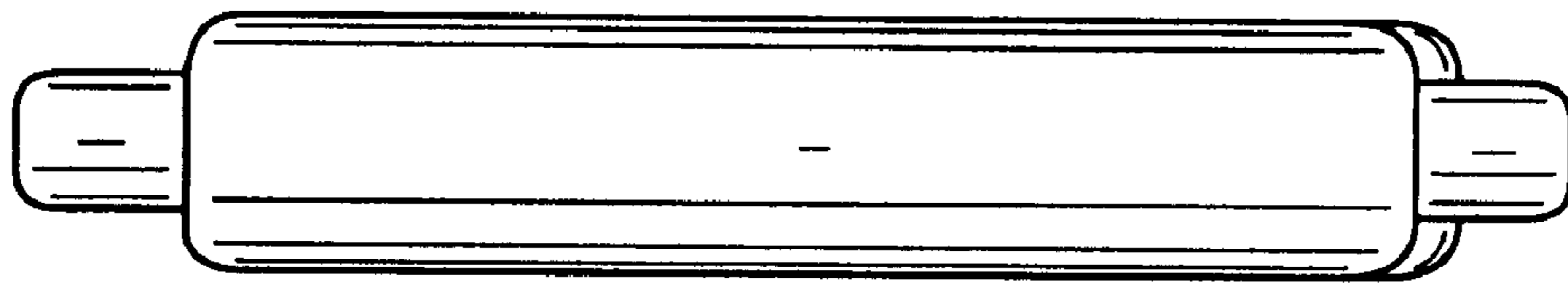


FIG. 6

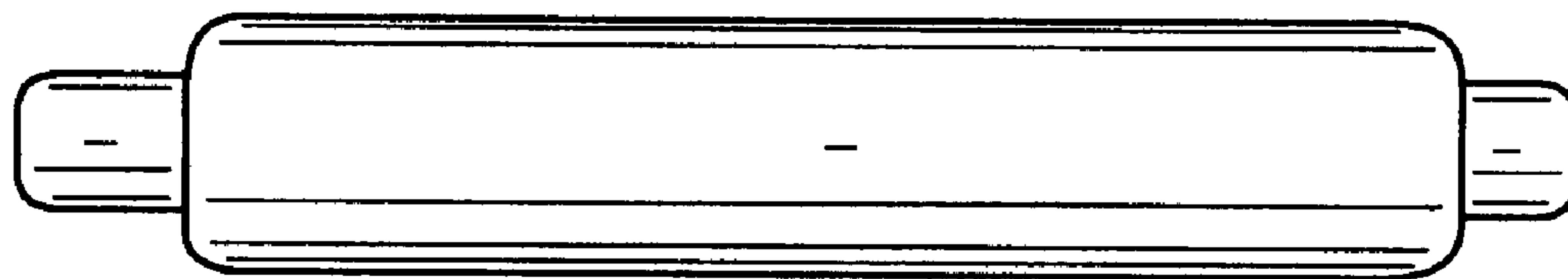


FIG. 7

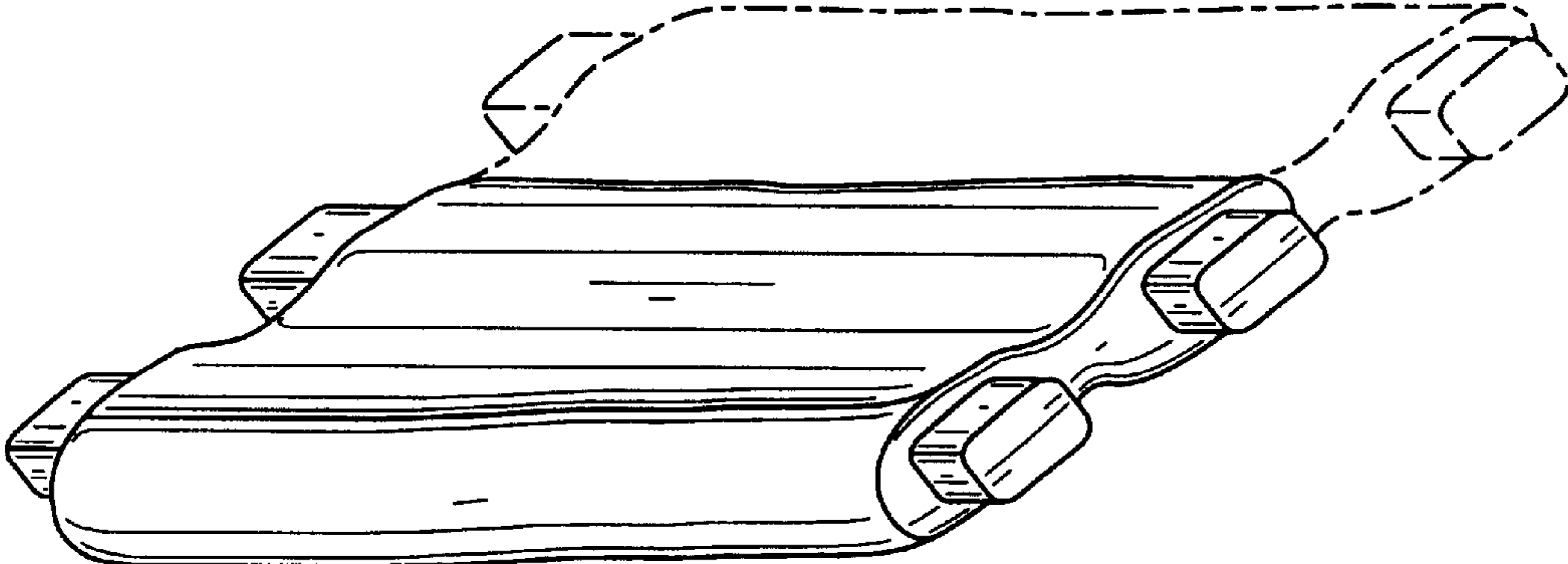


FIG. 8

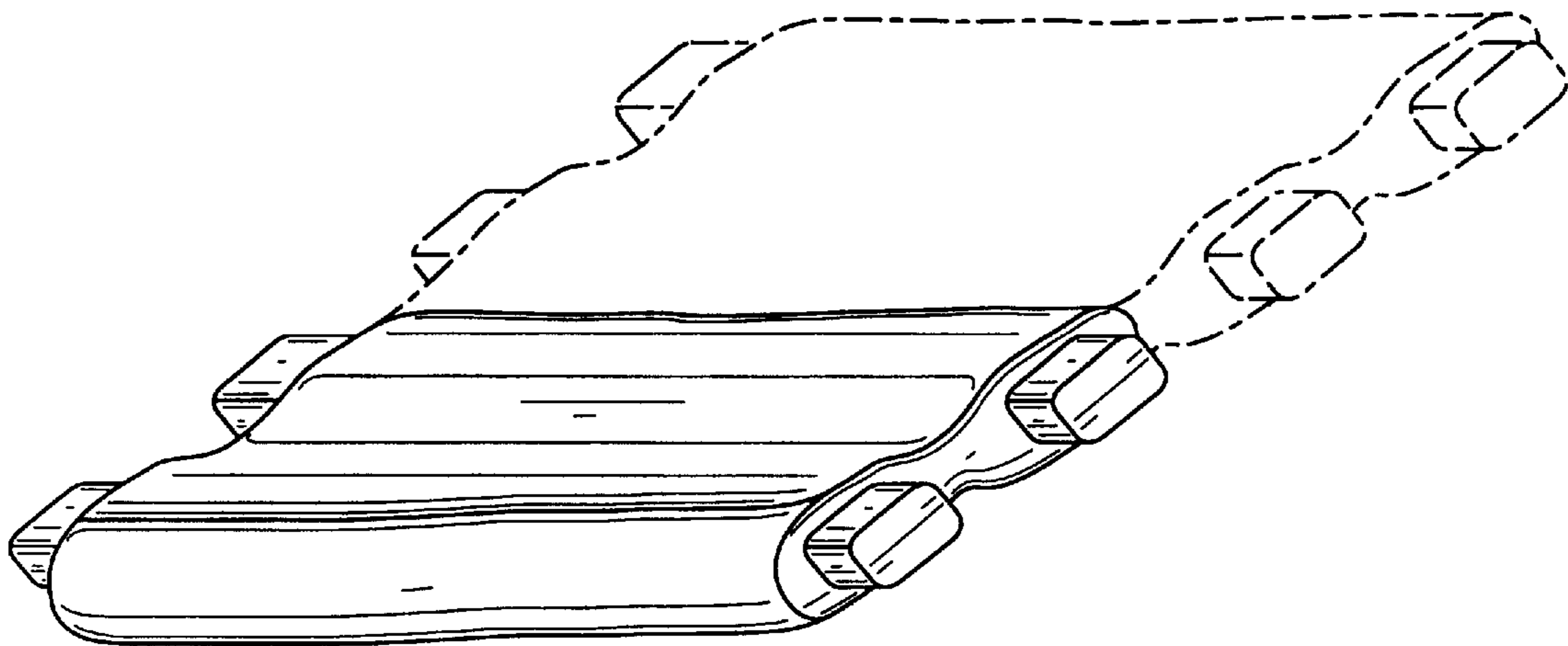


FIG. 9