



US00D534325S

(12) **United States Design Patent**
Kramer

(10) **Patent No.:** **US D534,325 S**

(45) **Date of Patent:** **** Dec. 26, 2006**

(54) **COLLECTION DEVICE WITH SELF SEALING RETENTION SYSTEM**

(75) Inventor: **Michael Kramer**, Springdale, AR (US)

(73) Assignee: **Alto U.S. Inc.**, Springdale, AR (US)

(**) Term: **14 Years**

(21) Appl. No.: **29/218,155**

(22) Filed: **Nov. 29, 2004**

(51) **LOC (8) Cl.** **15-05**

(52) **U.S. Cl.** **D32/30**

(58) **Field of Classification Search** D32/20,
D32/22, 29, 19, 1, 15, 25, 31-33, 30; 15/321,
15/302, 353, 50.1, 347, 320, 322, 415.1,
15/330, 331, 334; 239/146, 147, 149; D3/201,
D3/304

See application file for complete search history.

4,870,714 A	10/1989	Miner	
4,993,457 A	* 2/1991	Berfield 137/899
5,063,633 A	* 11/1991	Ingermann et al. 15/320
D340,556 S	* 10/1993	Berfield et al. D32/1
5,448,794 A	9/1995	Walch et al.	
5,551,122 A	9/1996	Burkhardt et al.	
5,581,842 A	12/1996	Seith	
5,974,623 A	11/1999	Cummins et al.	
6,224,471 B1	5/2001	Clowers et al.	
D447,943 S	* 9/2001	Justice D9/424
D447,944 S	* 9/2001	Justice D9/424
6,618,898 B1	9/2003	Tingle	
6,711,777 B1	3/2004	Frederick et al.	
6,758,731 B1	7/2004	Dutterer et al.	
6,792,649 B1	9/2004	Paterson et al.	
D506,584 S	* 6/2005	Whittaker D32/25

* cited by examiner

Primary Examiner—Louis S. Zarfes

Assistant Examiner—Kathleen Sims

(74) *Attorney, Agent, or Firm*—Blackwell Sanders Peper Martin LLP

(56) **References Cited**

U.S. PATENT DOCUMENTS

1,871,024 A	8/1932	Barber	
2,008,431 A	7/1935	Aitken	
2,143,970 A	1/1939	Blood	
2,252,160 A	8/1941	Blood	
2,945,558 A	7/1960	Cordell	
D190,773 S	* 6/1961	Koch D23/202
D214,811 S	* 7/1969	Gaudry D32/30
3,938,283 A	2/1976	Keith, Jr.	
D240,698 S	* 7/1976	Durkee D32/30
D251,674 S	* 4/1979	Sayward D23/202
4,601,735 A	7/1986	Morton, Jr.	
4,765,099 A	8/1988	Tanner	
4,800,614 A	1/1989	Kopco et al.	

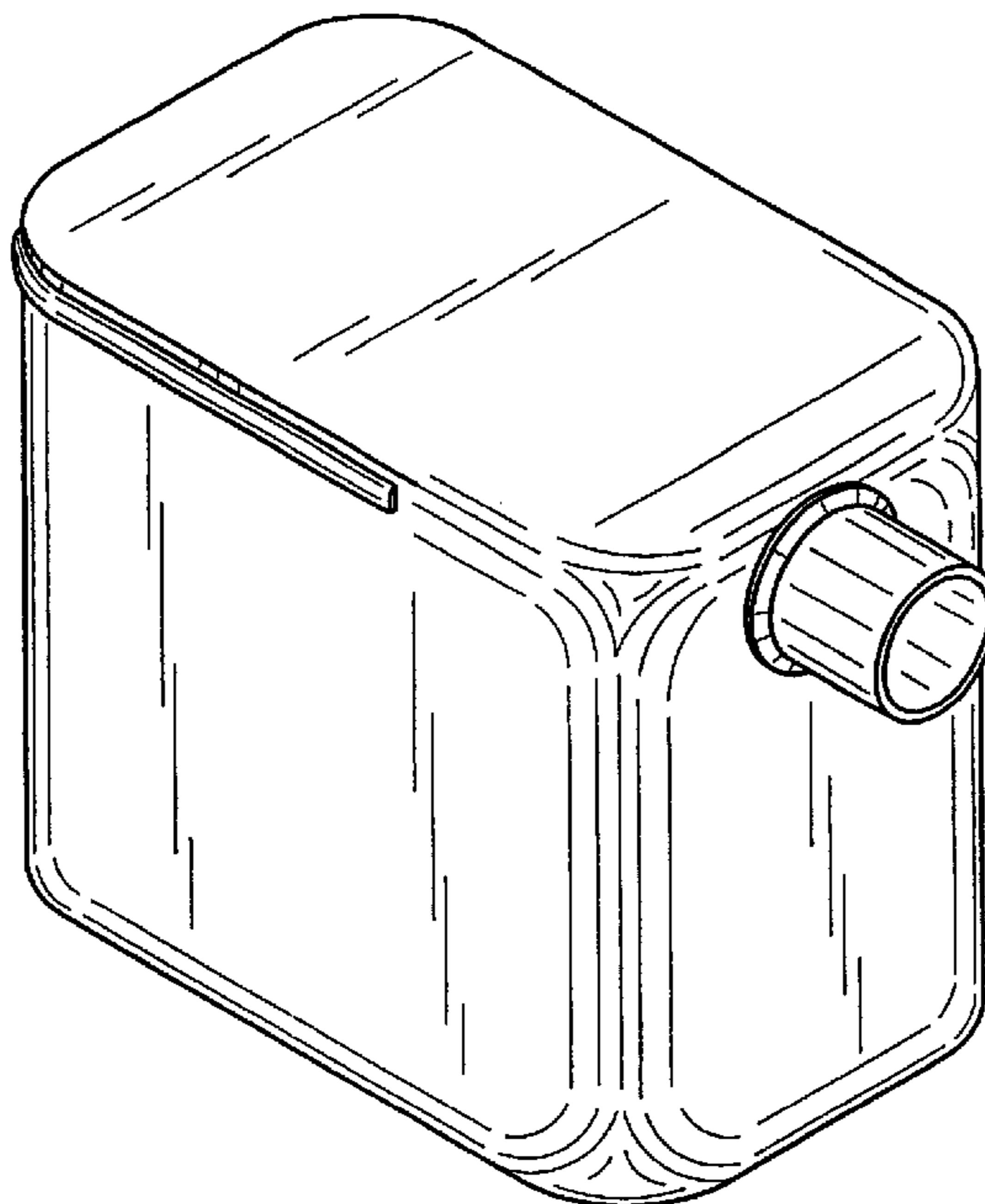
(57) **CLAIM**

The ornamental design for a collection device with self sealing retention system, as shown and described.

DESCRIPTION

FIG. 1 is a top perspective view of a collection device; FIG. 2 is a front elevational view thereof; FIG. 3 is a rear elevational view thereof; FIG. 4 is a right side elevational view thereof; FIG. 5 is a left side elevational view thereof; FIG. 6 is a top plan view thereof; and, FIG. 7 is a bottom plan view thereof.

1 Claim, 2 Drawing Sheets



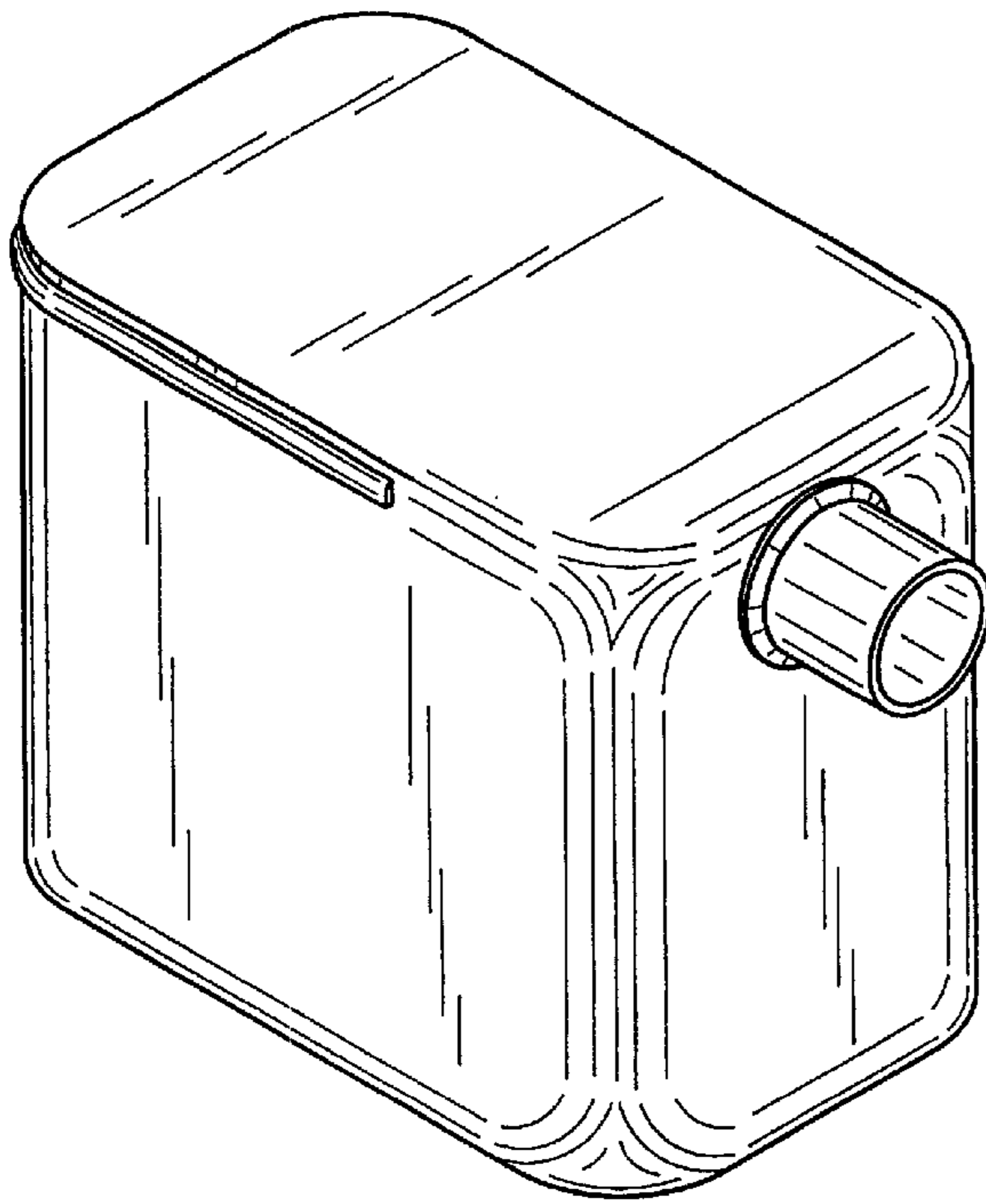


FIG. 1

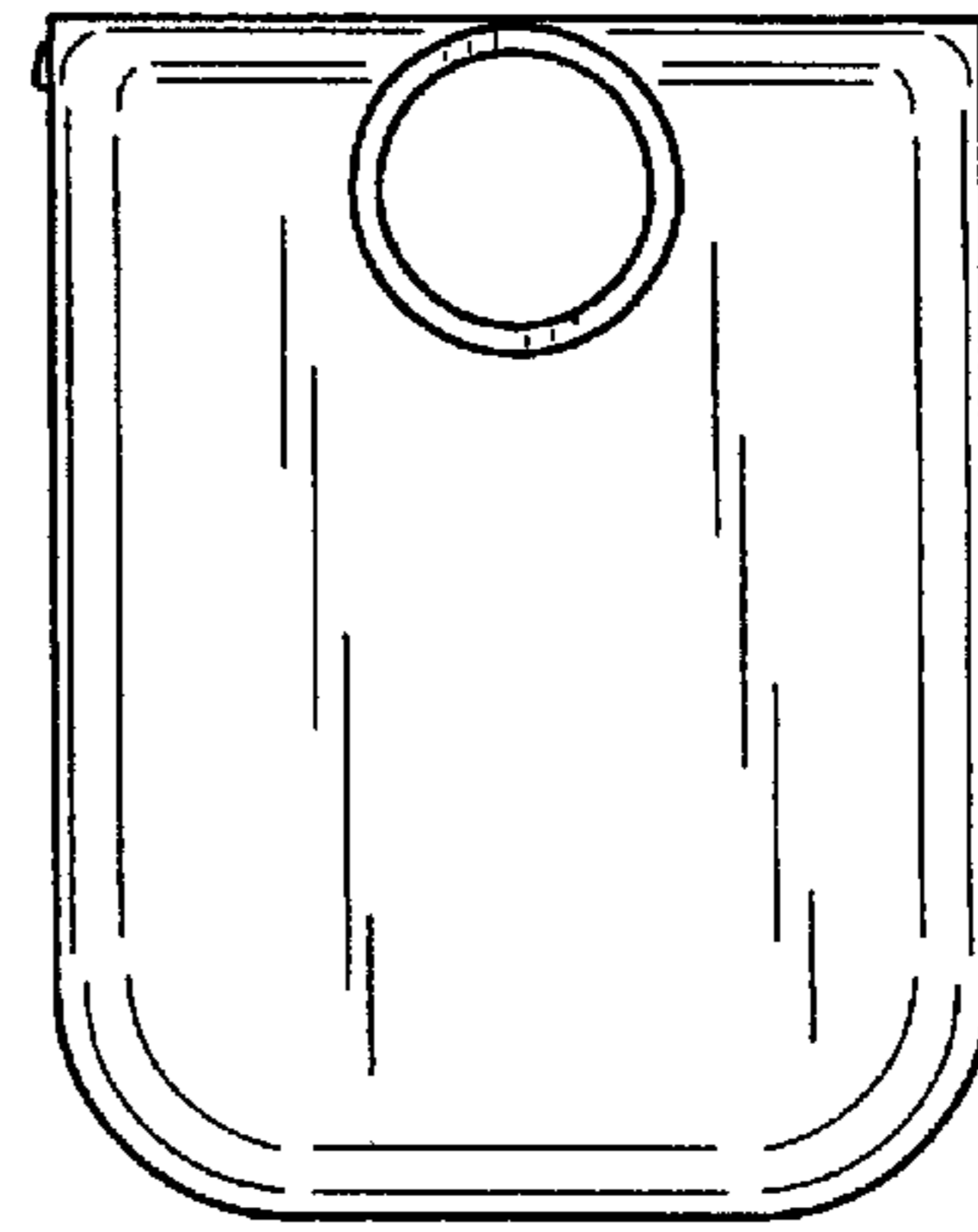


FIG. 2

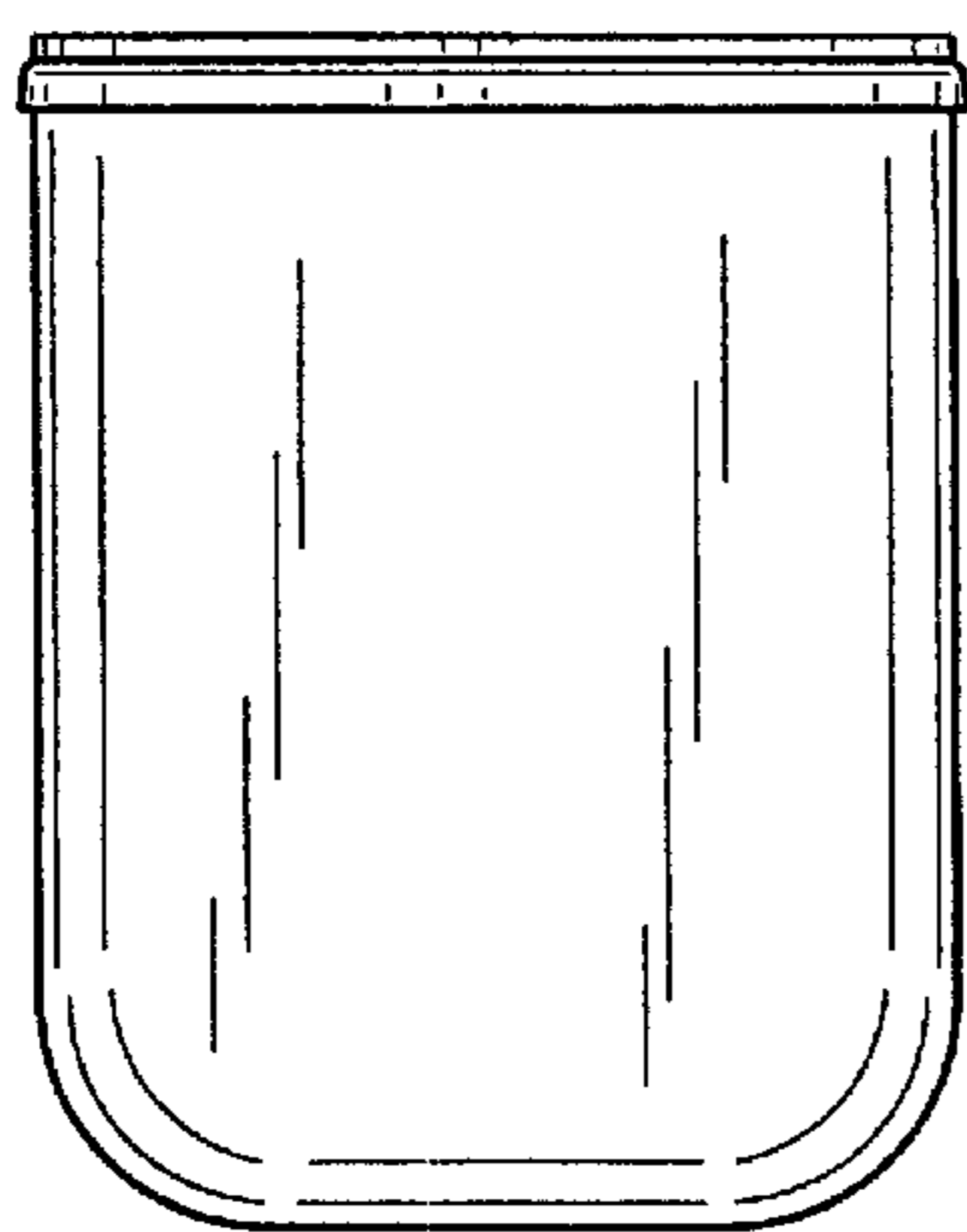


FIG. 3

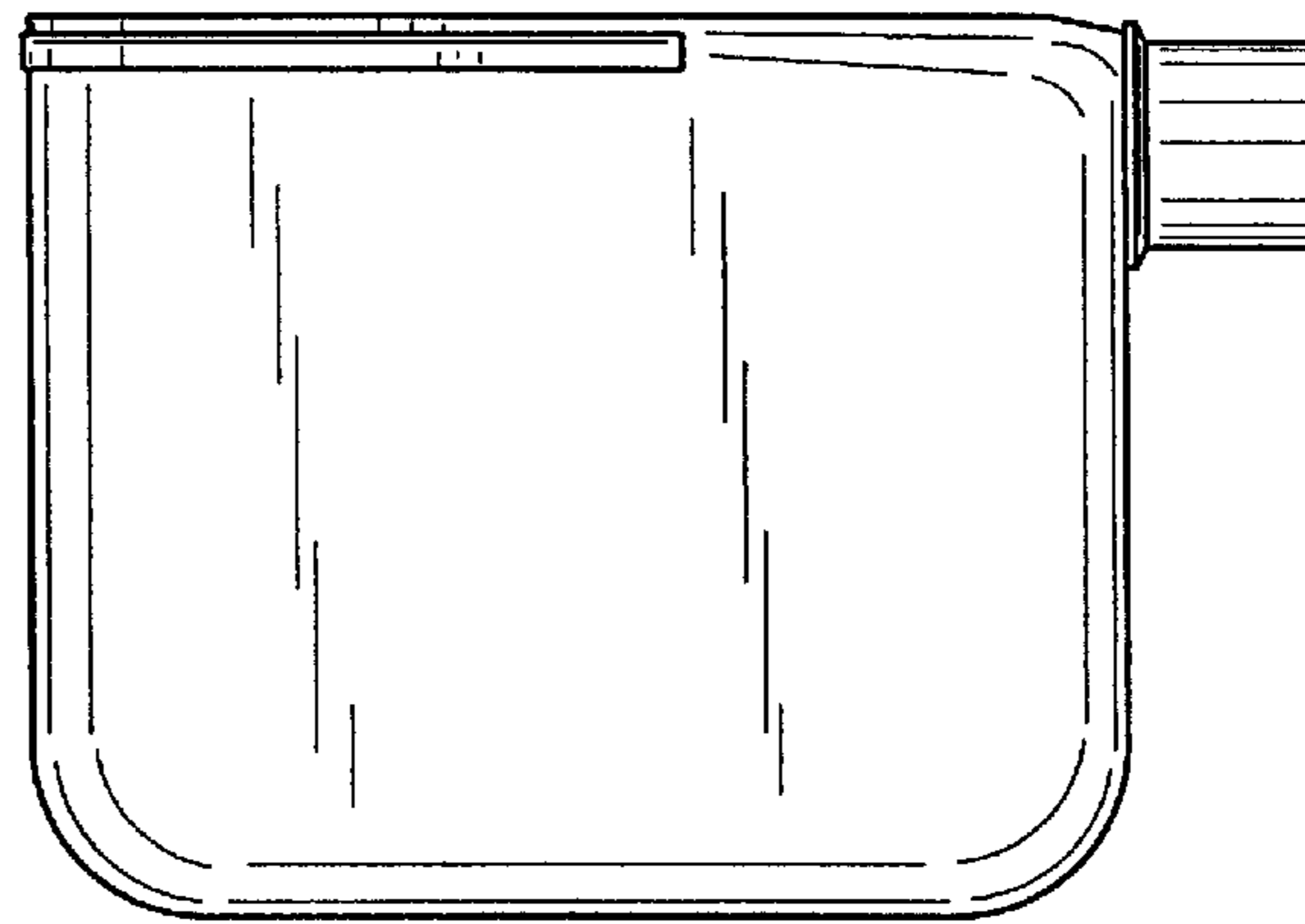


FIG. 4

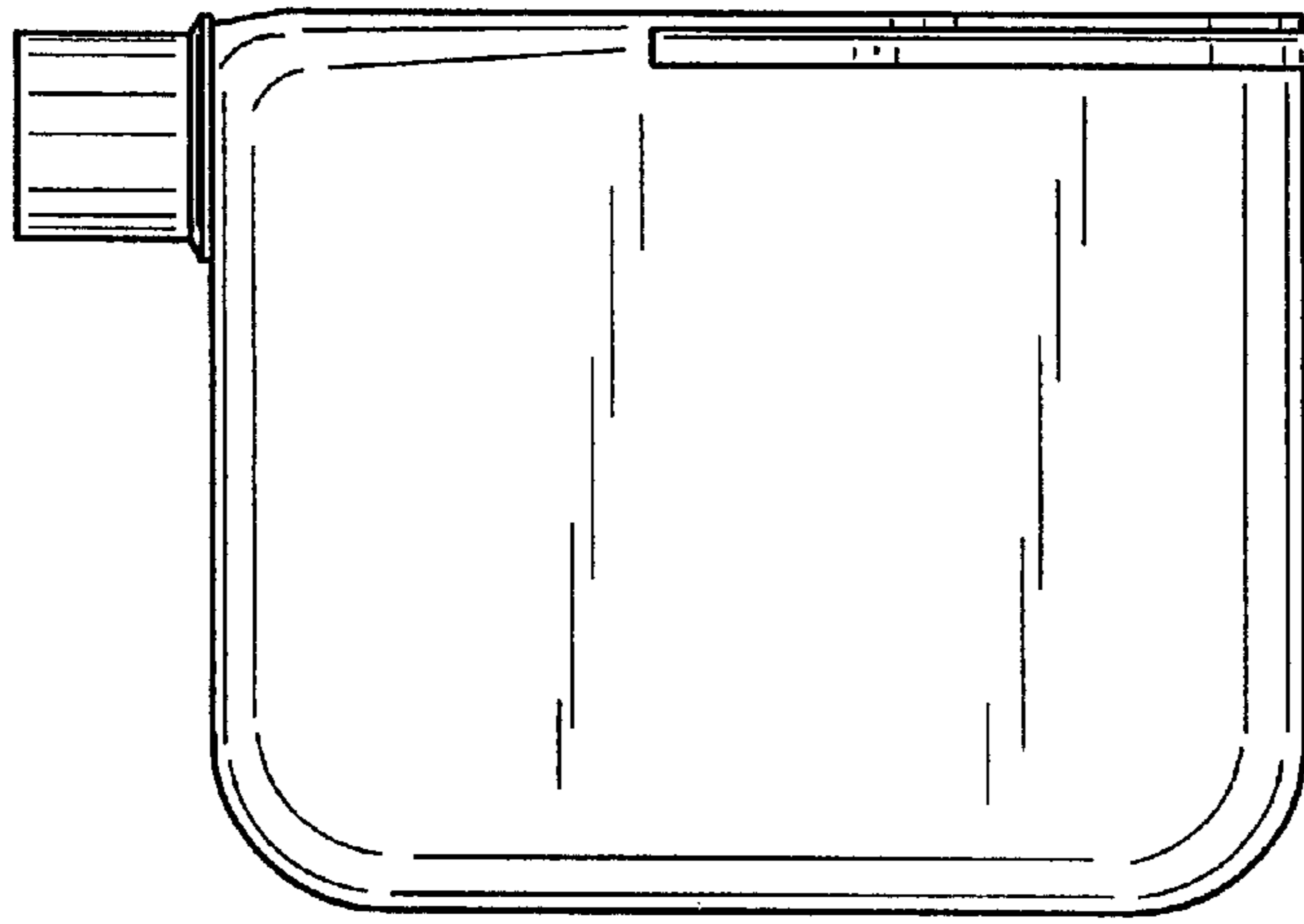


FIG. 5

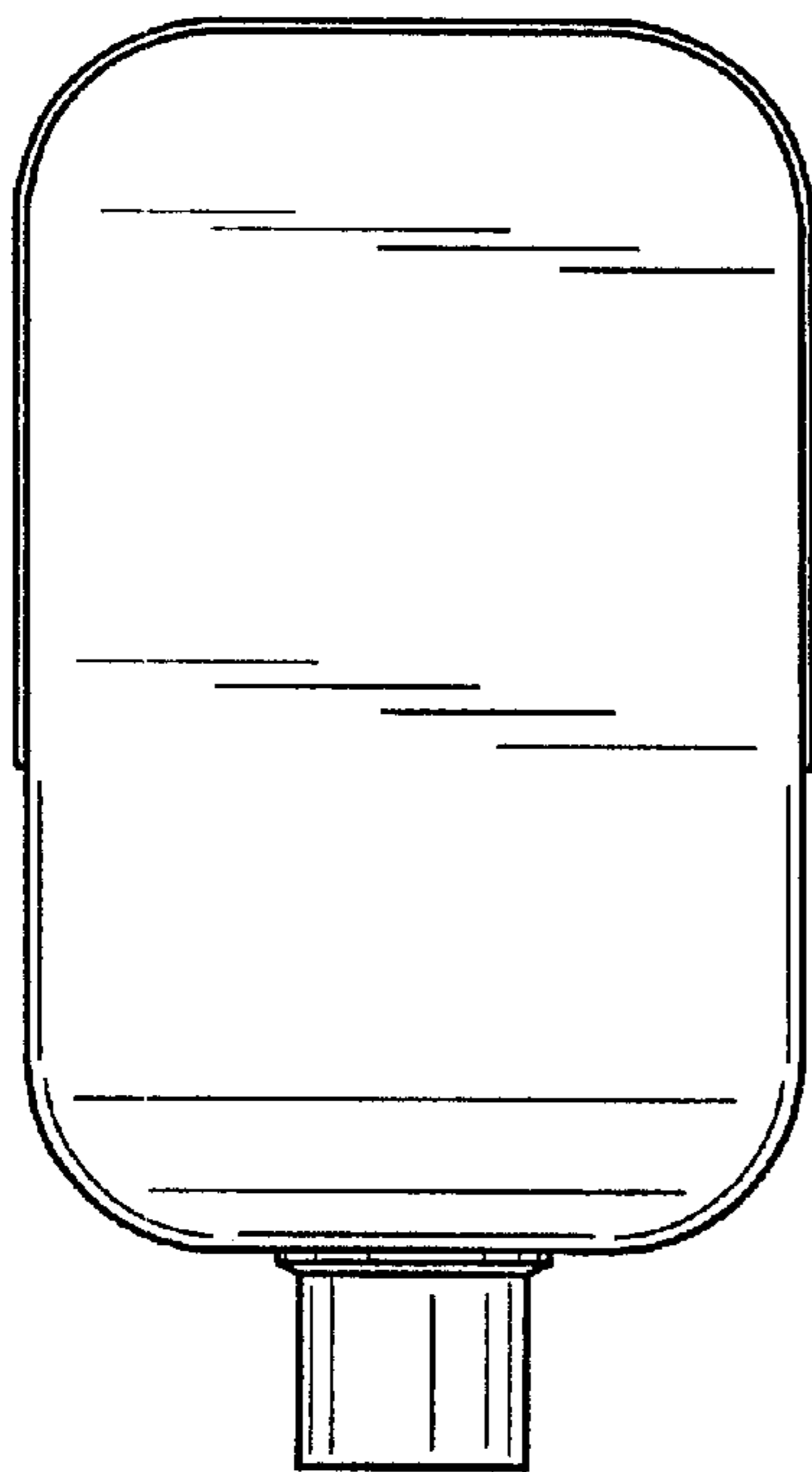


FIG. 6

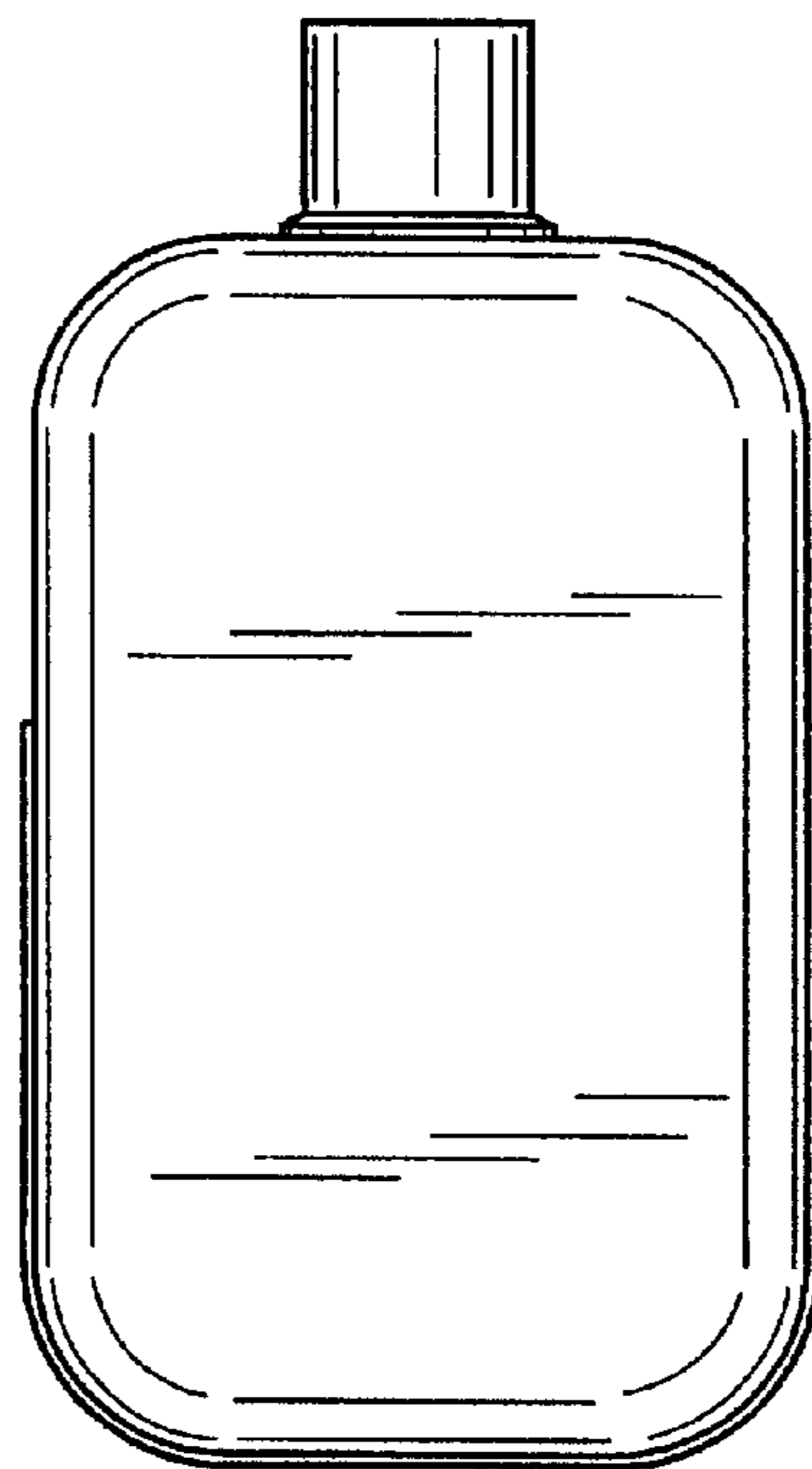


FIG. 7