



US00D534324S

(12) **United States Design Patent**
Dyson et al.

(10) **Patent No.:** **US D534,324 S**

(45) **Date of Patent:** **** Dec. 26, 2006**

(54) **SURFACE-TREATING APPLIANCE**

(75) Inventors: **James Dyson**, Dodington (GB);
Gordon James Howes, Wiltshire (GB);
Stuart Lloyd Genn, Wiltshire (GB);
Nicholas Timothy Spence, Hampshire
(GB)

(73) Assignee: **Dyson Limited**, Wiltshire (GB)

(**) Term: **14 Years**

(21) Appl. No.: **29/234,435**

(22) Filed: **Jul. 19, 2005**

(30) **Foreign Application Priority Data**

Jan. 19, 2005 (GB) 3020041

(51) **LOC (8) Cl.** **15-05**

(52) **U.S. Cl.** **D32/22**

(58) **Field of Classification Search** D32/21,
D32/22-23, 31, 34; 15/320-321, 327.1, 327.2,
15/323, 329, 334-335, 347, 350, 351, 353,
15/361, 410-411, DIG. 10; 55/346, DIG. 3,
55/459.1, 337, 429; 95/271; D21/526
See application file for complete search history.

(56) **References Cited**

U.S. PATENT DOCUMENTS

D309,203 S * 7/1990 Goodrich D32/22

D429,776 S * 8/2000 Gammack et al. D21/526
D439,379 S * 3/2001 Gammack et al. D32/22
6,442,791 B1 * 9/2002 McRae Thomson et al. .. 15/334
D475,820 S * 6/2003 Dyson et al. D32/22
6,974,488 B1 * 12/2005 Dyson 55/346
6,993,807 B1 * 2/2006 Courtney 15/320

* cited by examiner

Primary Examiner—Ruth McInroy

(74) *Attorney, Agent, or Firm*—Morrison & Foerster LLP

(57) **CLAIM**

We claim the ornamental design for a surface-treating appliance, as shown and described.

DESCRIPTION

FIG. 1 is a front and side perspective view of a surface-treating appliance showing our new design;

FIG. 2 is a front view thereof;

FIG. 3 is a rear view thereof;

FIG. 4 is a side view thereof;

FIG. 5 is a view of the opposite side of FIG. 4;

FIG. 6 is a top plan view thereof; and,

FIG. 7 is a bottom plan view thereof.

1 Claim, 7 Drawing Sheets

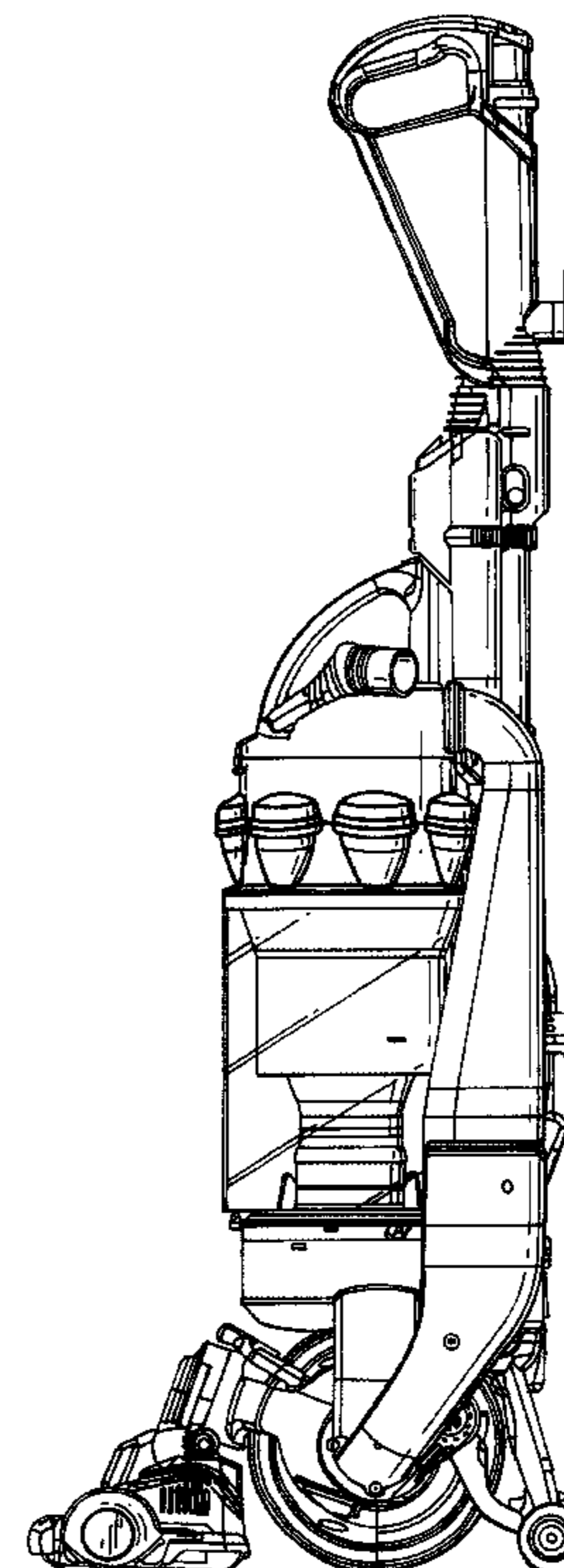
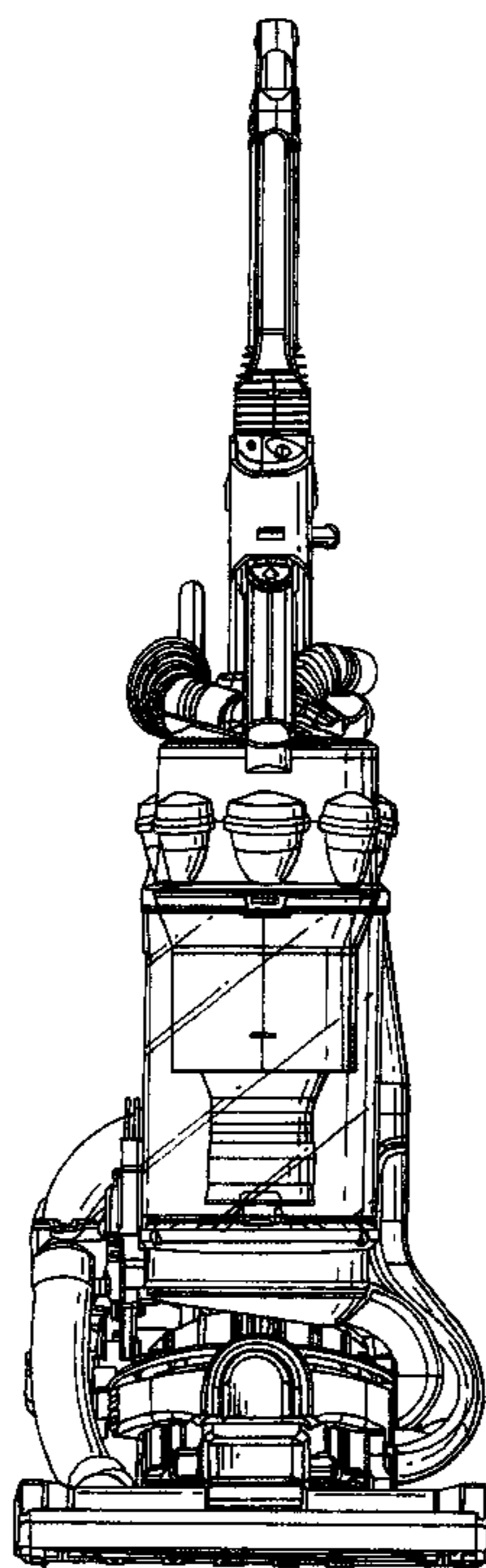
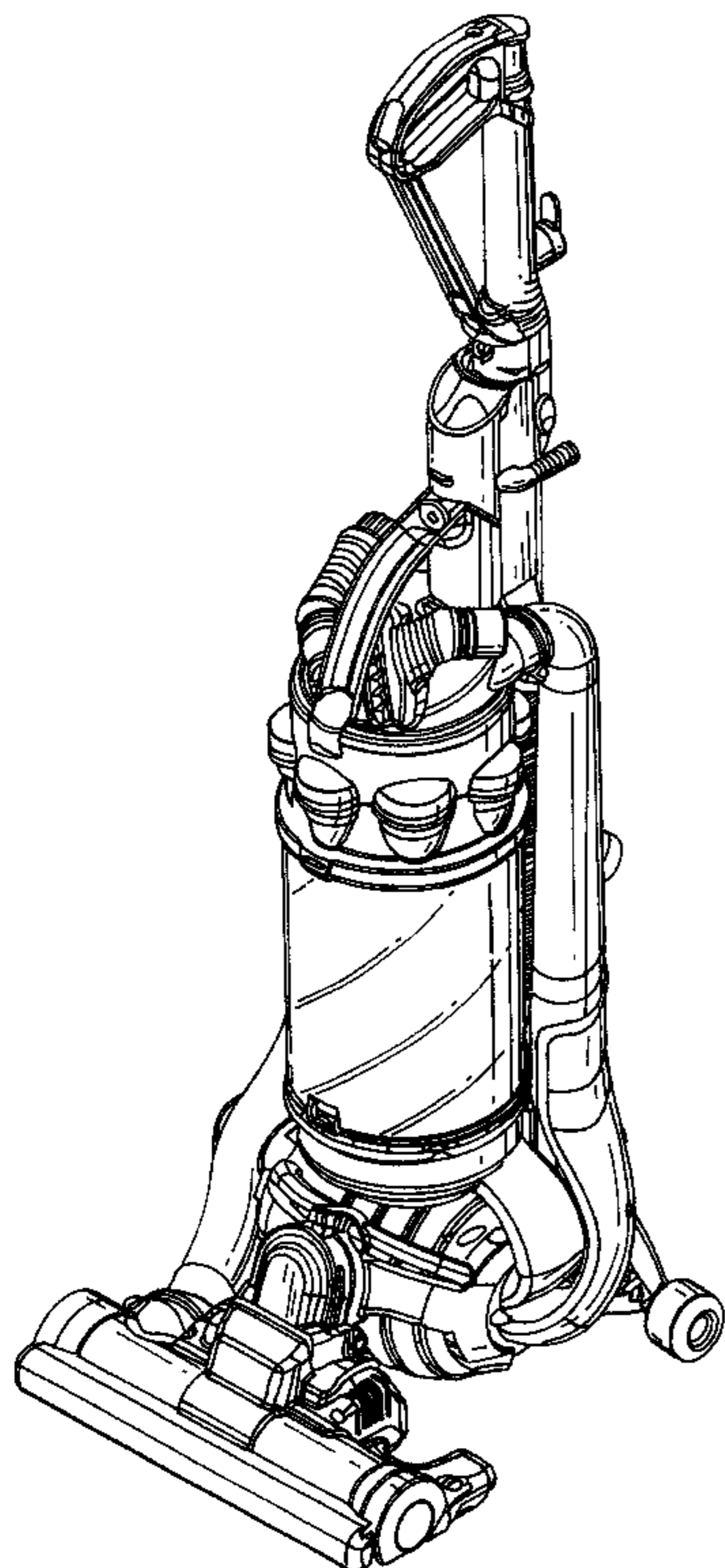


Fig. 1

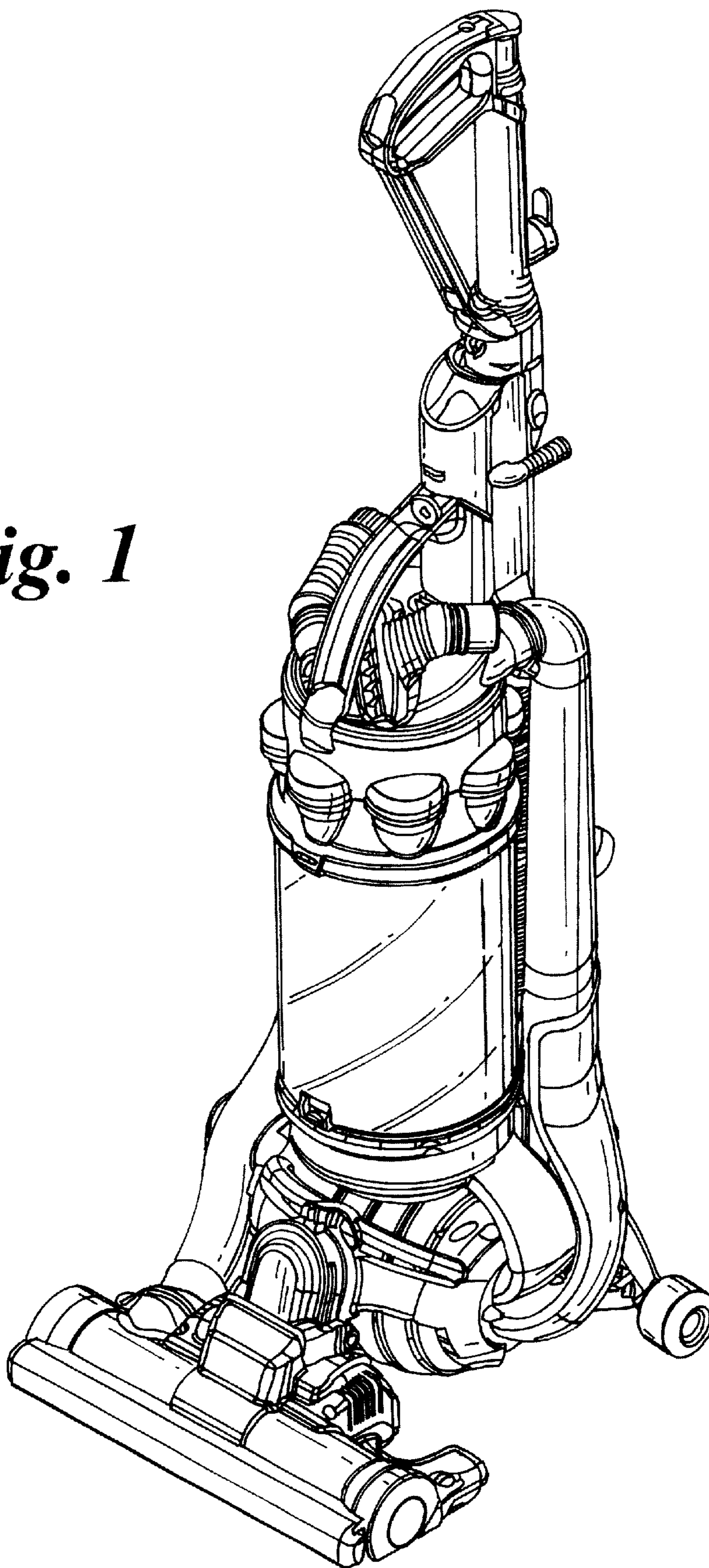


Fig. 2

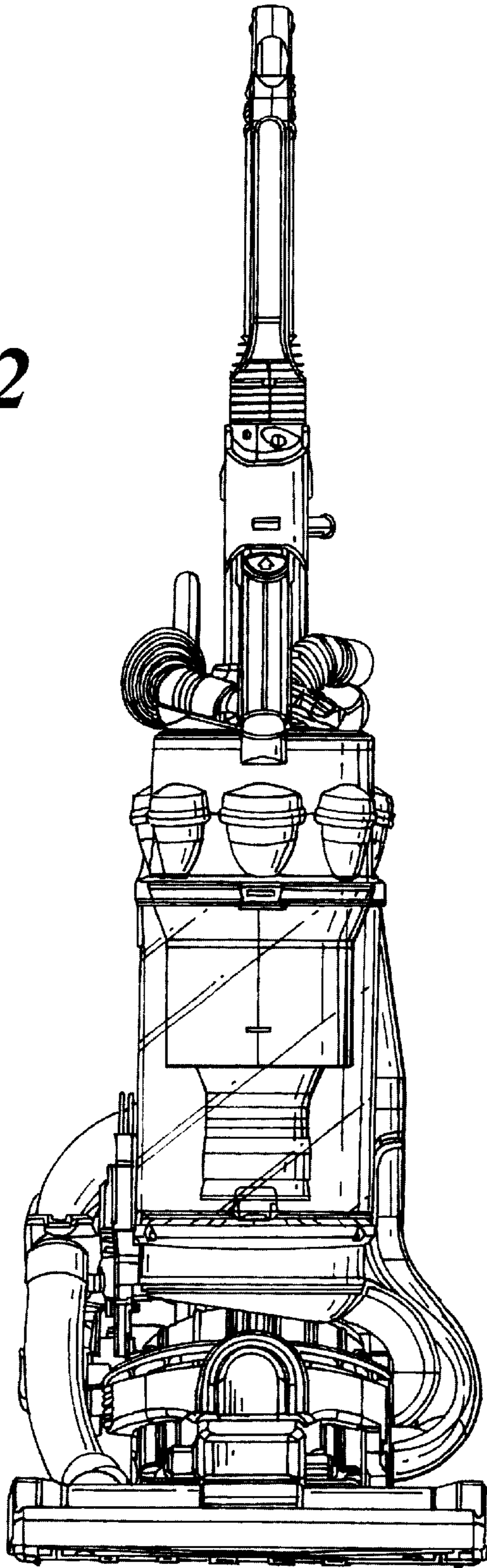


Fig. 3

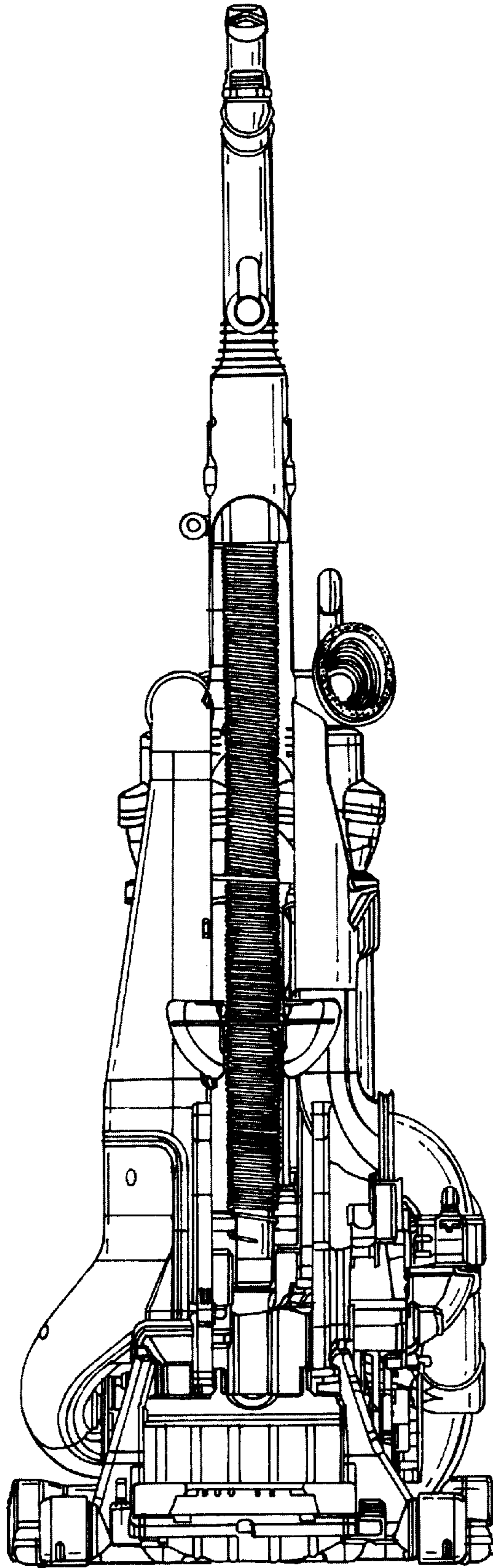
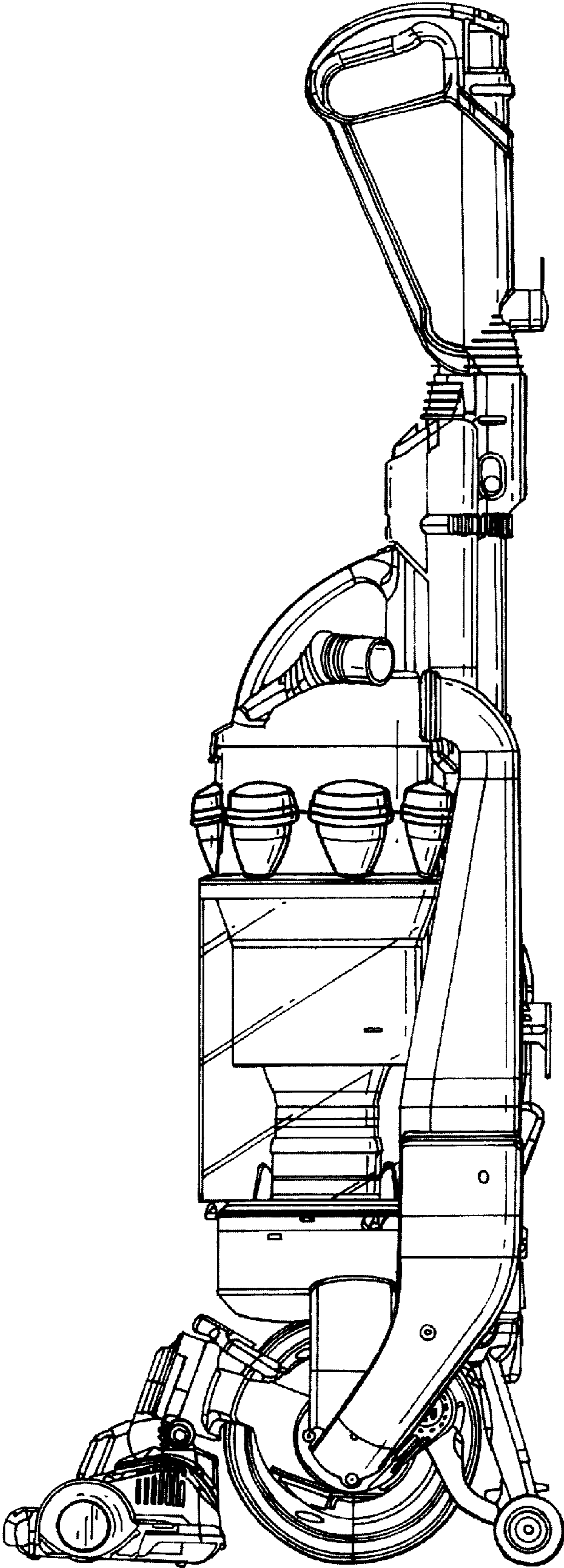


Fig. 4



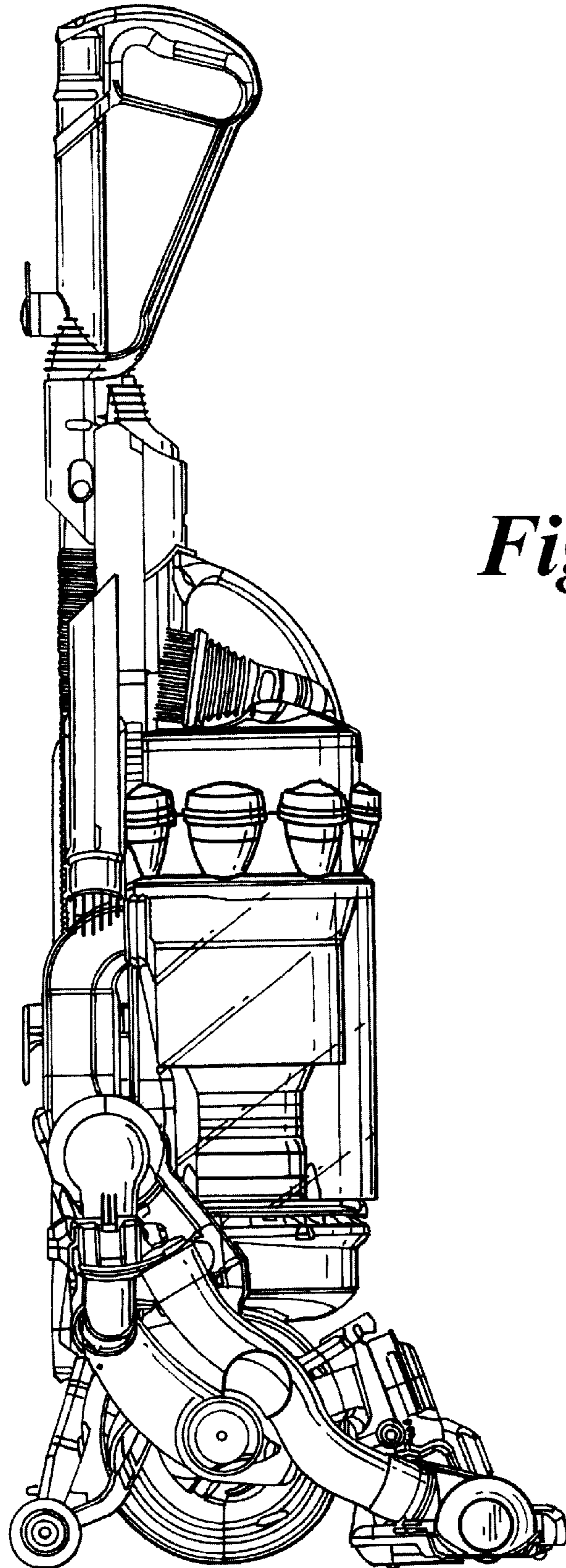


Fig. 5

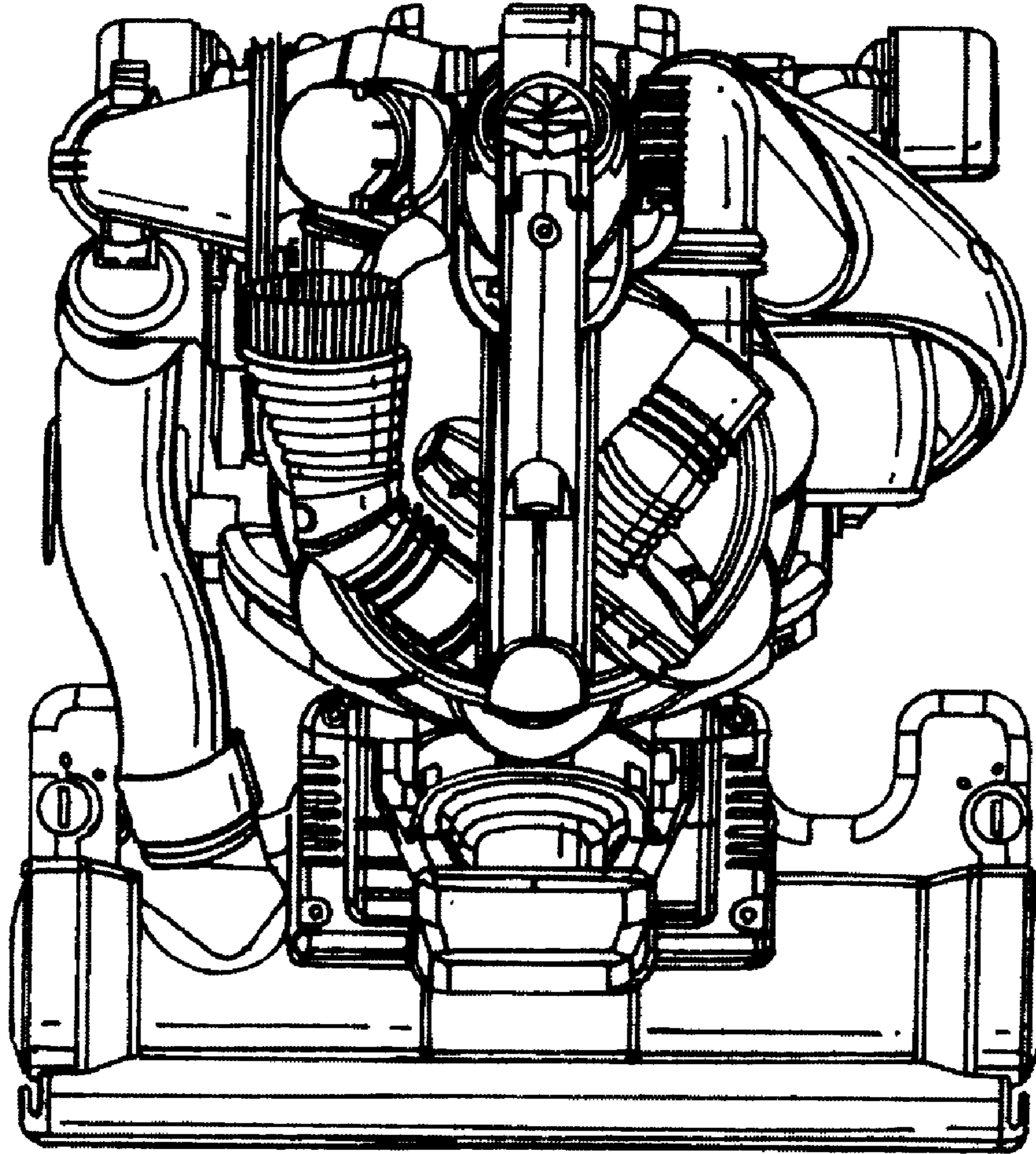


Fig. 6

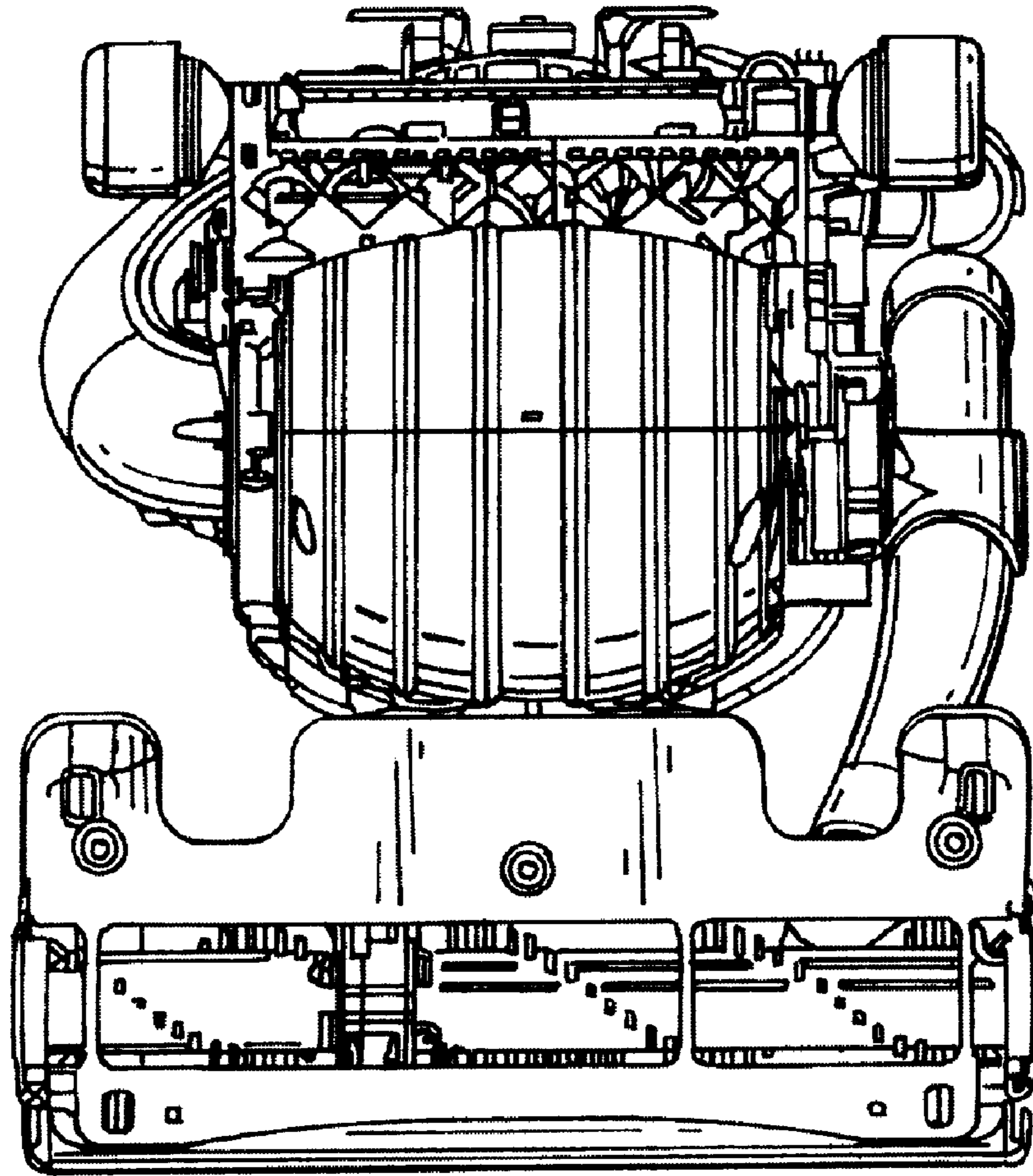


Fig. 7