



US00D534323S

(12) **United States Design Patent**  
**Hong**

(10) **Patent No.:** **US D534,323 S**

(45) **Date of Patent:** **\*\* Dec. 26, 2006**

(54) **CORDLESS CAR POLISHER**

(76) Inventor: **Liang-ming Hong**, 138 Huang Yang  
Shan Road, Wenlin, Zhejiang (CN),  
317500

(\*\*) Term: **14 Years**

(21) Appl. No.: **29/207,811**

(22) Filed: **Jun. 18, 2004**

(51) **LOC (8) Cl.** ..... **15-05**

(52) **U.S. Cl.** ..... **D32/19**

(58) **Field of Classification Search** ..... D32/1,  
D32/15, 16, 17, 19, 20, 21, 22, 18, 25, 31;  
15/23, 28, 32, 34, 21.1, 22.1, 22.2, 97.1;  
D4/102, 100, 127, 129; D8/61, 62  
See application file for complete search history.

(56) **References Cited**

**U.S. PATENT DOCUMENTS**

D273,173 S \* 3/1984 Poon ..... D8/62  
D353,310 S \* 12/1994 Izumisawa ..... D8/62

D377,892 S \* 2/1997 Sung ..... D8/62  
D381,248 S \* 7/1997 Sung ..... D8/62  
D392,778 S \* 3/1998 McCracken ..... D32/19  
D443,397 S \* 6/2001 Williams ..... D32/19  
6,342,002 B1 \* 1/2002 Wang ..... 451/359  
D471,329 S \* 3/2003 Heun ..... D32/15  
D475,489 S \* 6/2003 McLelland ..... D32/15

\* cited by examiner

*Primary Examiner*—Louis S. Zarfaz

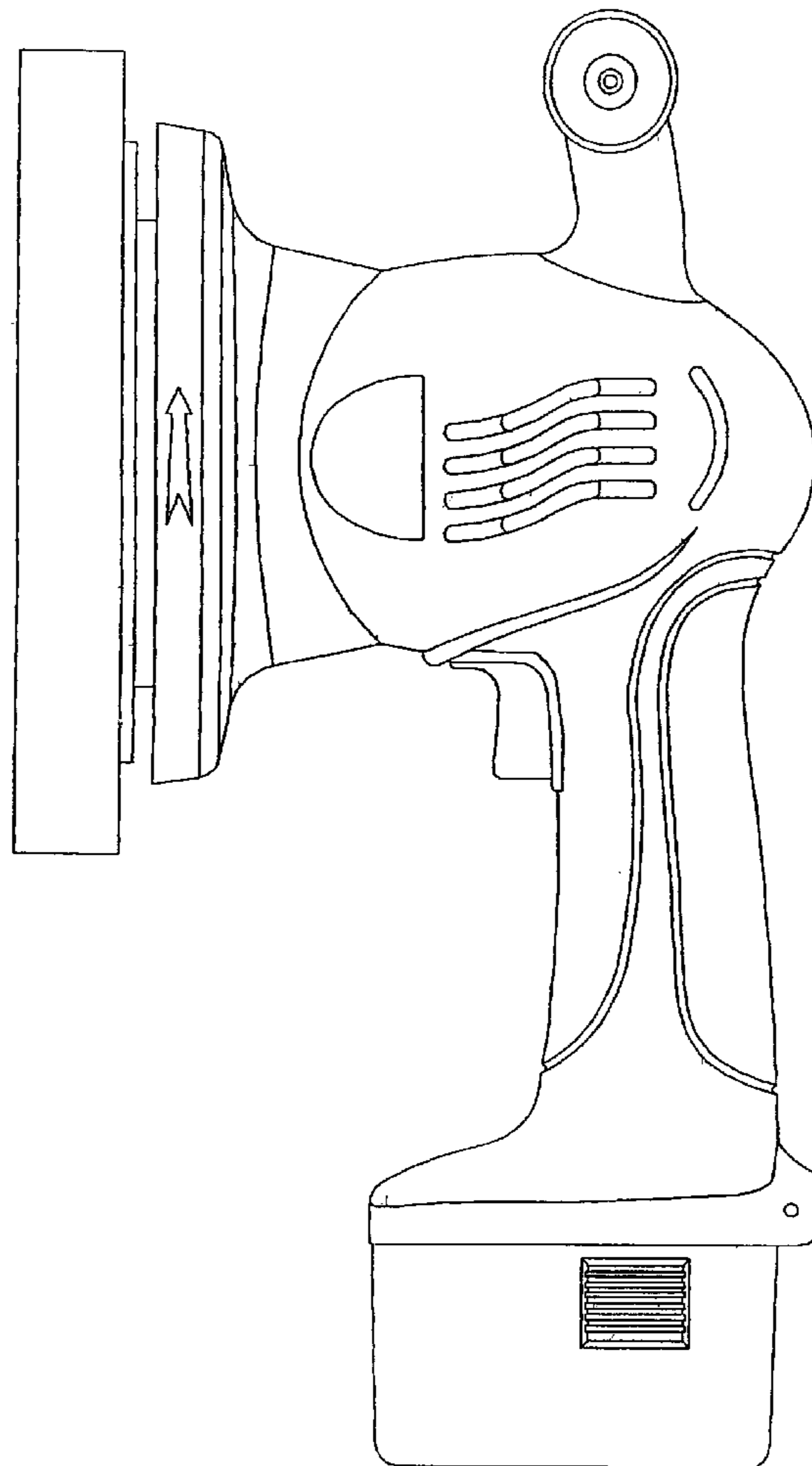
(57) **CLAIM**

The ornamental design for a cordless car polisher, as shown.

**DESCRIPTION**

FIG. 1 is a right side elevational view of a cordless car polisher showing my new design;  
FIG. 2 is a left side elevational view thereof;  
FIG. 3 is a rear elevational view thereof;  
FIG. 4 is a front elevational view thereof;  
FIG. 5 is a top plan view thereof; and,  
FIG. 6 is a bottom plan view thereof.

**1 Claim, 6 Drawing Sheets**



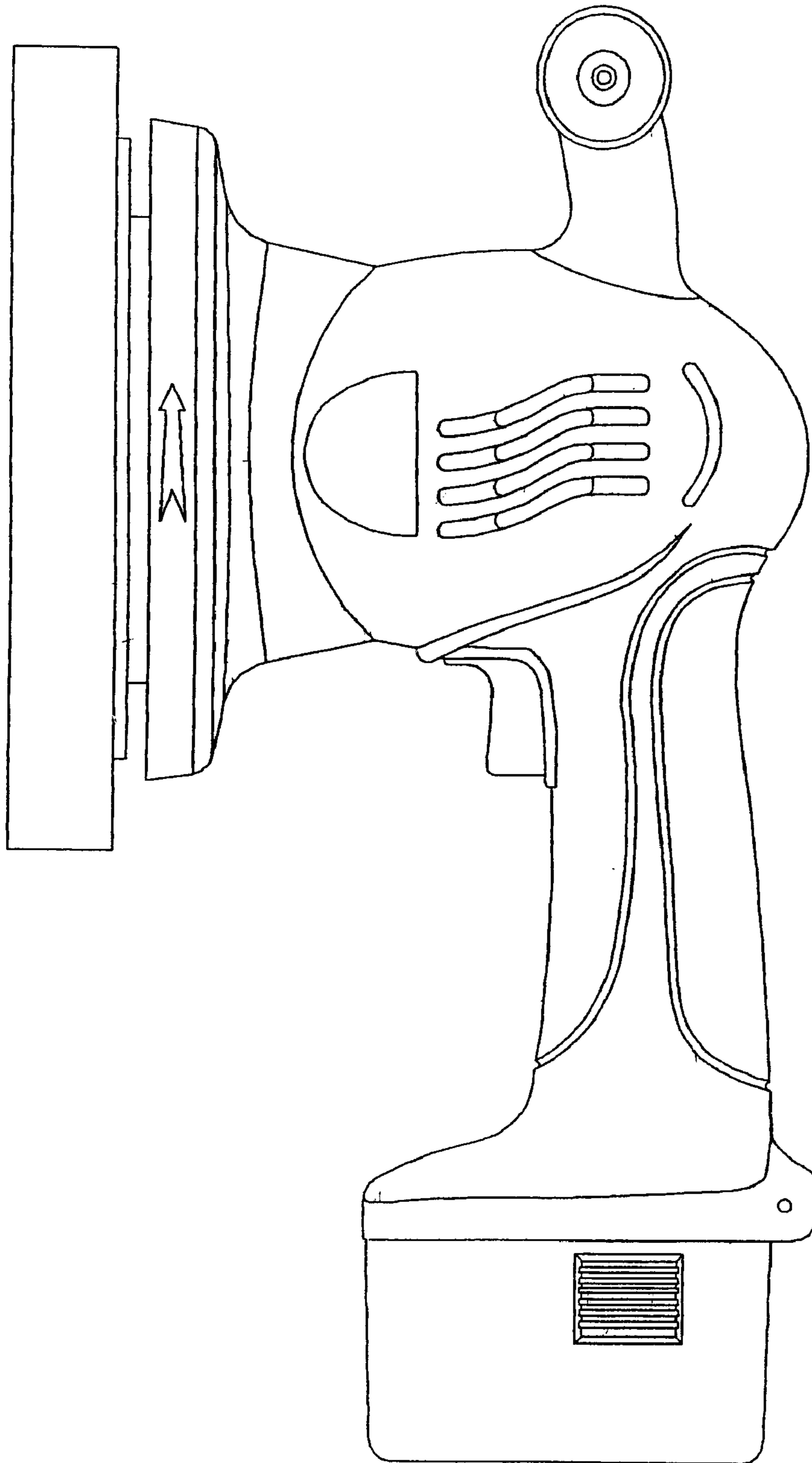


Fig. 1

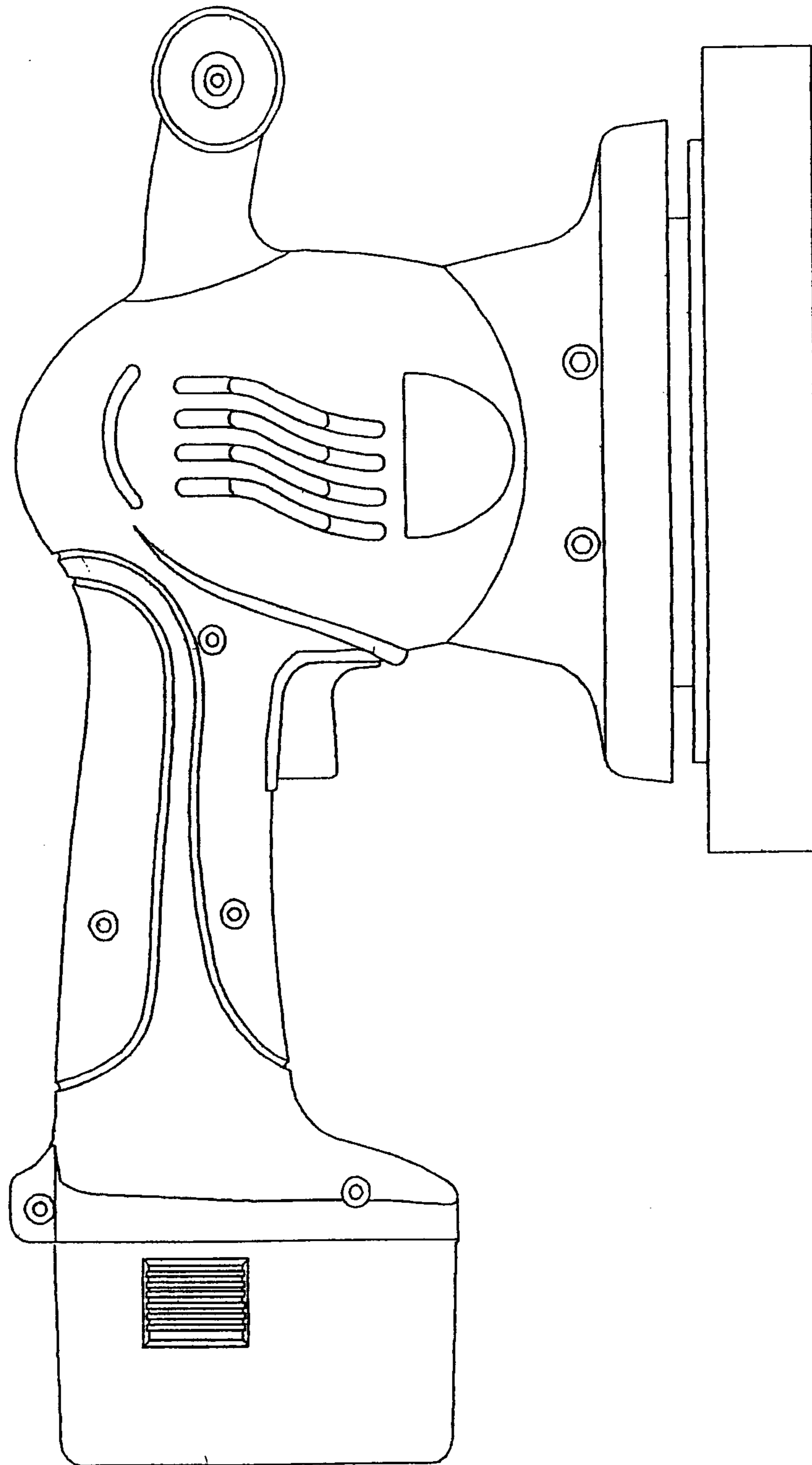


Fig. 2

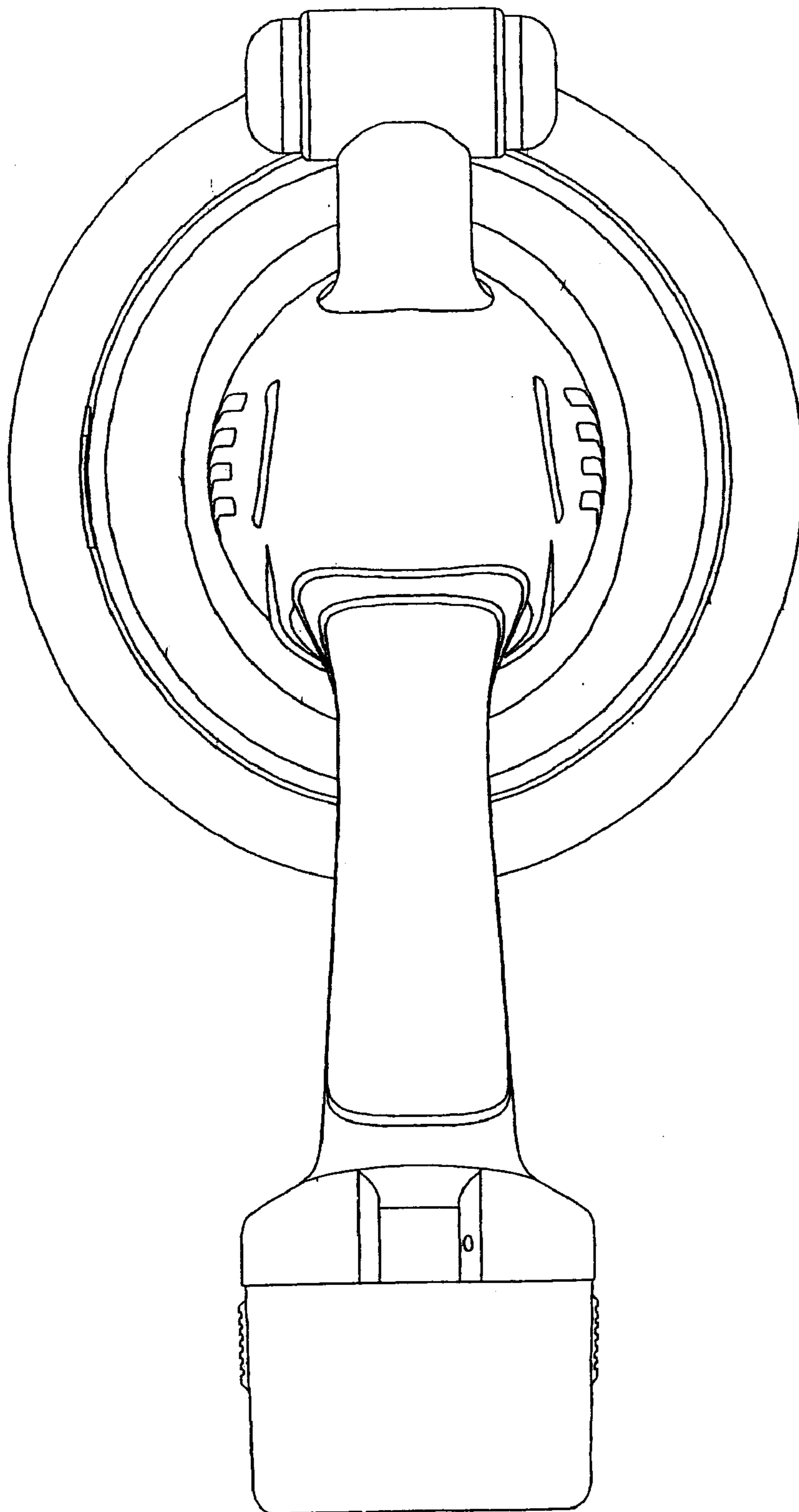


Fig. 3

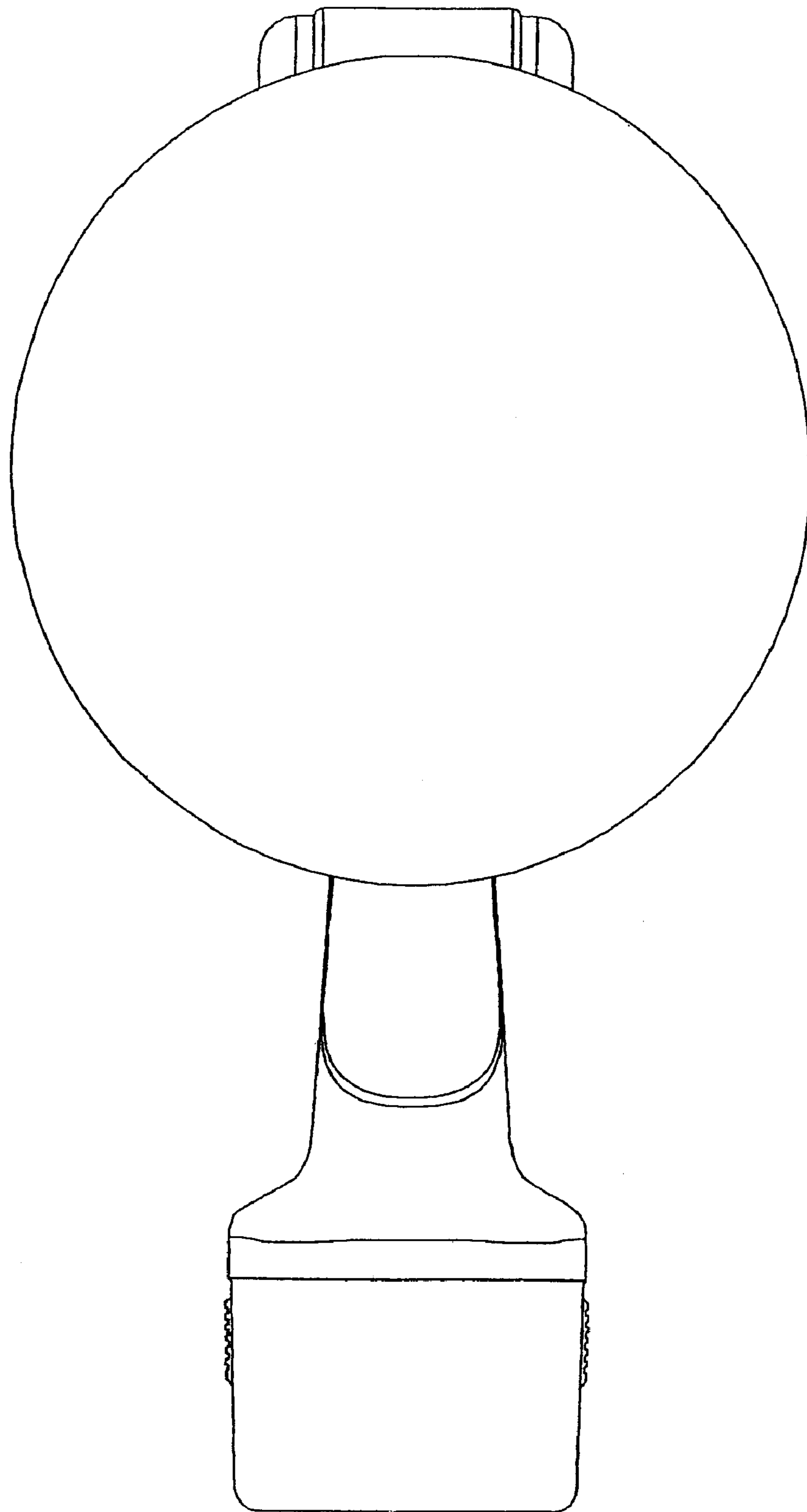


Fig. 4

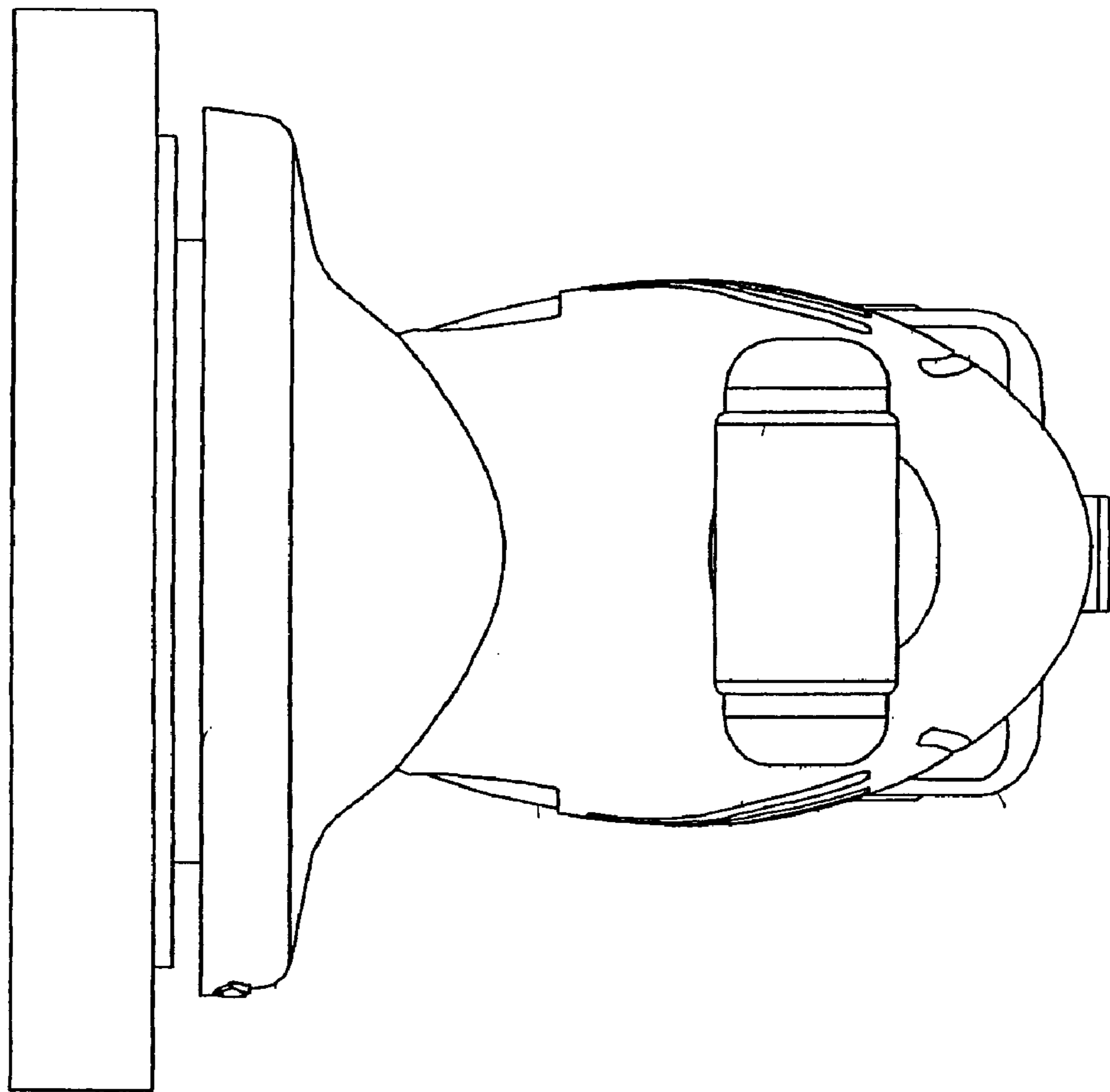


Fig. 5

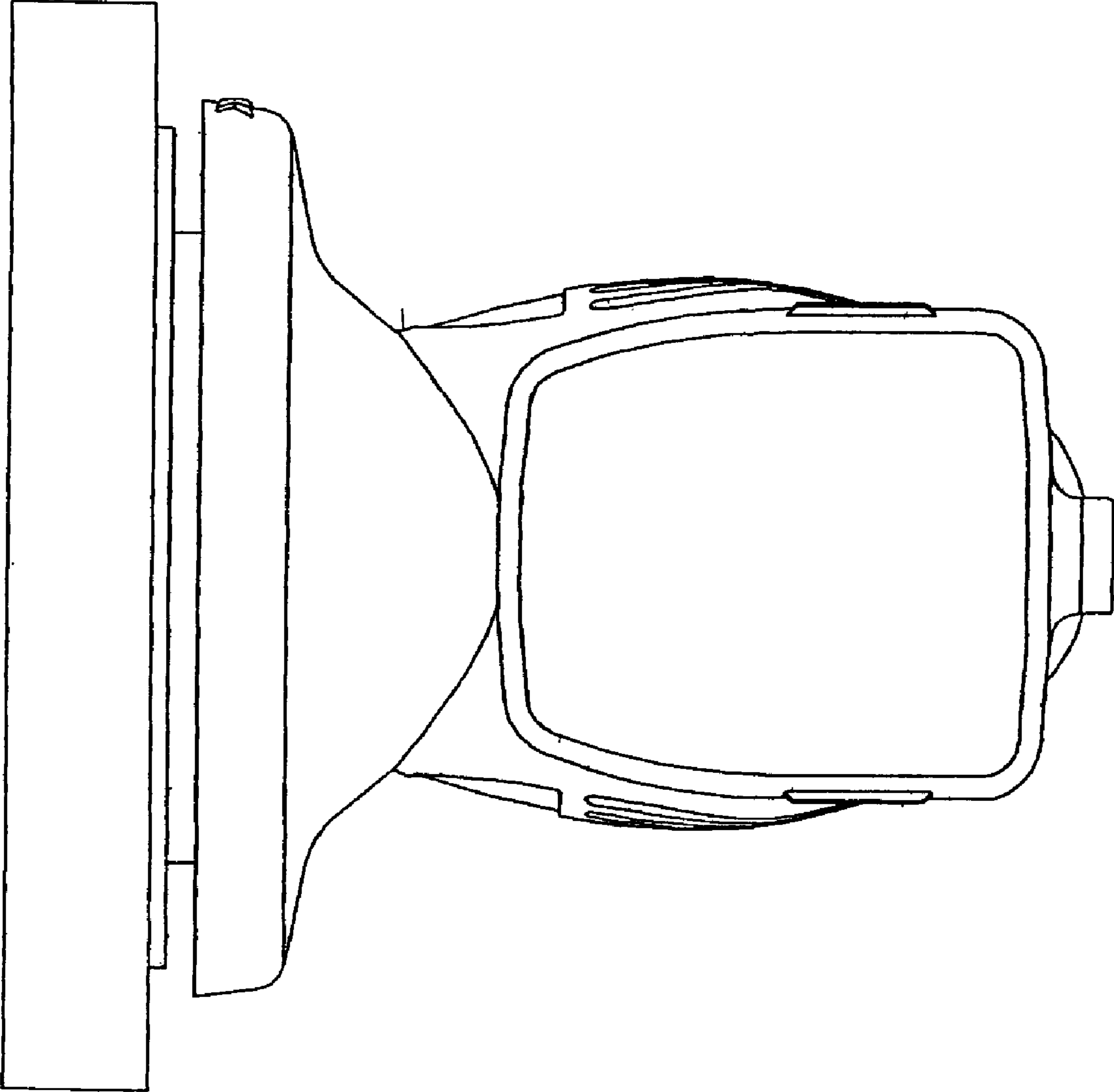


Fig. 6