

US00D534321S

(12) **United States Design Patent** (10) **Patent No.:** **US D534,321 S**
Simpson et al. (45) **Date of Patent:** **** Dec. 26, 2006**

(54) **PET LITTER PAN HOUSING**
(75) Inventors: **Jeffrey M. Simpson**, 381 Oak Ridge Dr., Auburn, AL (US) 36830; **Mark A. Haley**, Asheville, NC (US)
(73) Assignee: **Jeffrey M. Simpson**, Auburn, AL (US)
(**) Term: **14 Years**

5,249,549 A 10/1993 Rockaitis, III
5,282,542 A 2/1994 Mo
D347,304 S * 5/1994 Hellem D30/161
5,337,700 A * 8/1994 Toft 119/168
5,469,807 A 11/1995 Kosmaczeska
5,626,098 A 5/1997 Askins et al.
5,649,500 A 7/1997 Klavemann et al.

(Continued)

FOREIGN PATENT DOCUMENTS

GB 2 238 296 A 5/1991

OTHER PUBLICATIONS

In the Company of Dogs, Spring Preview 2001—Catalog, Portland, Tennessee; p. 8, Delux Sport Utility Tricycle with bamboo and rattan wrapped baskets for pets.

Primary Examiner—Cathy Anne MacCormac
(74) *Attorney, Agent, or Firm*—Gardner Groft Santos & Greenwald, P.C.

(21) Appl. No.: **29/180,465**
(22) Filed: **Apr. 24, 2003**
(51) **LOC (8) Cl.** **30-99**
(52) **U.S. Cl.** **D30/161; D30/108; D30/118**
(58) **Field of Classification Search** D30/108–112, D30/114–118, 161; D3/314; 119/161, 163–170, 119/416–420, 428–430, 433, 435, 452–453, 119/459–460, 462–464, 467, 475, 482, 496–497, 119/311, 329, 28.5, 456, 493
See application file for complete search history.

(57) **CLAIM**

The ornamental design for a pet litter pan housing, as shown and described.

(56) **References Cited**

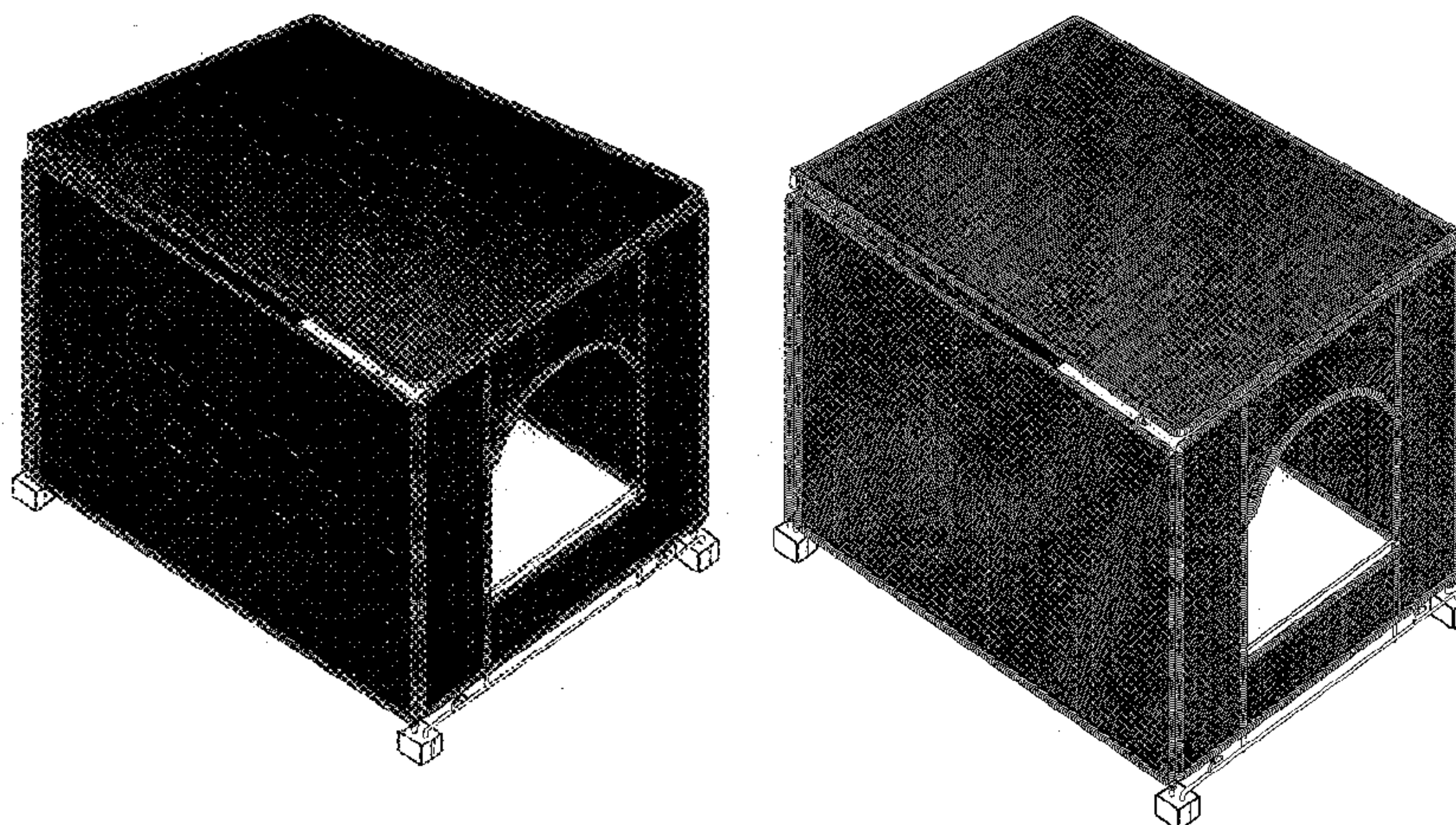
U.S. PATENT DOCUMENTS

989,029 A 4/1911 Newcomb
1,211,762 A 1/1917 Sawyer
2,560,661 A 7/1951 Poovey
2,789,531 A 4/1957 Diefendorf
2,892,562 A 6/1959 Smithson
3,738,322 A 6/1973 Smith
3,774,929 A 11/1973 Stanley
3,978,616 A 9/1976 Pennock
4,027,625 A 6/1977 Wheeler
D245,191 S * 7/1977 Gore D30/161
4,224,899 A 9/1980 Cruchelow et al.
4,256,056 A 3/1981 Sou
D287,650 S 1/1987 Braeuner
4,696,259 A 9/1987 Fewox
4,762,085 A 8/1988 Ondrasik
4,763,606 A * 8/1988 Ondrasik, II 119/474
D308,589 S * 6/1990 Shay D30/161
D310,740 S * 9/1990 Mannschreck D30/161
4,989,546 A 2/1991 Cannaday
5,167,202 A 12/1992 Bradford et al.
5,203,281 A 4/1993 Harwich

DESCRIPTION

FIG. 1 is a perspective view of a litter pan housing according to one embodiment of the present design;
FIG. 2 is a front view of the litter pan housing of FIG. 1;
FIG. 3 is a right side view of the litter pan housing of FIG. 1, the left side being a mirror image;
FIG. 4 is a back view of the litter pan housing of FIG. 1;
FIG. 5 is a top view of the litter pan housing of FIG. 1;
FIG. 6 is a bottom view of the litter pan housing of FIG. 1;
FIG. 7 is a perspective view of a litter pan housing according to another embodiment of the present design;
FIG. 8 is a front view of the litter pan housing of FIG. 7;
FIG. 9 is a right side view of the litter pan housing of FIG. 7, the left side being a mirror image;
FIG. 10 is a back view of the litter pan housing of FIG. 7;
FIG. 11 is a top view of the litter pan housing of FIG. 7; and,
FIG. 12 is a bottom view of the litter pan housing of FIG. 7.

1 Claim, 12 Drawing Sheets



US D534,321 S

Page 2

U.S. PATENT DOCUMENTS

D382,374 S	8/1997	Burks	6,192,834 B1	2/2001	Kolozsvari	
5,669,331 A	9/1997	Richmond	D442,748 S	5/2001	Farrugia	
5,845,970 A	12/1998	Schwartz	6,230,915 B1	5/2001	Liu	
5,890,455 A	4/1999	Donchey	6,318,294 B1	11/2001	Richmond et al.	
5,931,326 A	8/1999	Weng	6,354,245 B1	3/2002	Roddy et al.	
5,943,982 A	8/1999	Askins et al.	D467,041 S	* 12/2002	Cortes-Reuter D30/109
5,960,744 A	10/1999	Rutman	D473,351 S	* 4/2003	Critchley D30/161
5,967,090 A	10/1999	Hui	D483,156 S	12/2003	Simpson	
D427,730 S	7/2000	Powers et al.	D491,700 S	* 6/2004	Abajian D30/161
6,131,534 A	10/2000	Axelrod	D501,584 S	* 2/2005	Abajian D30/161

* cited by examiner

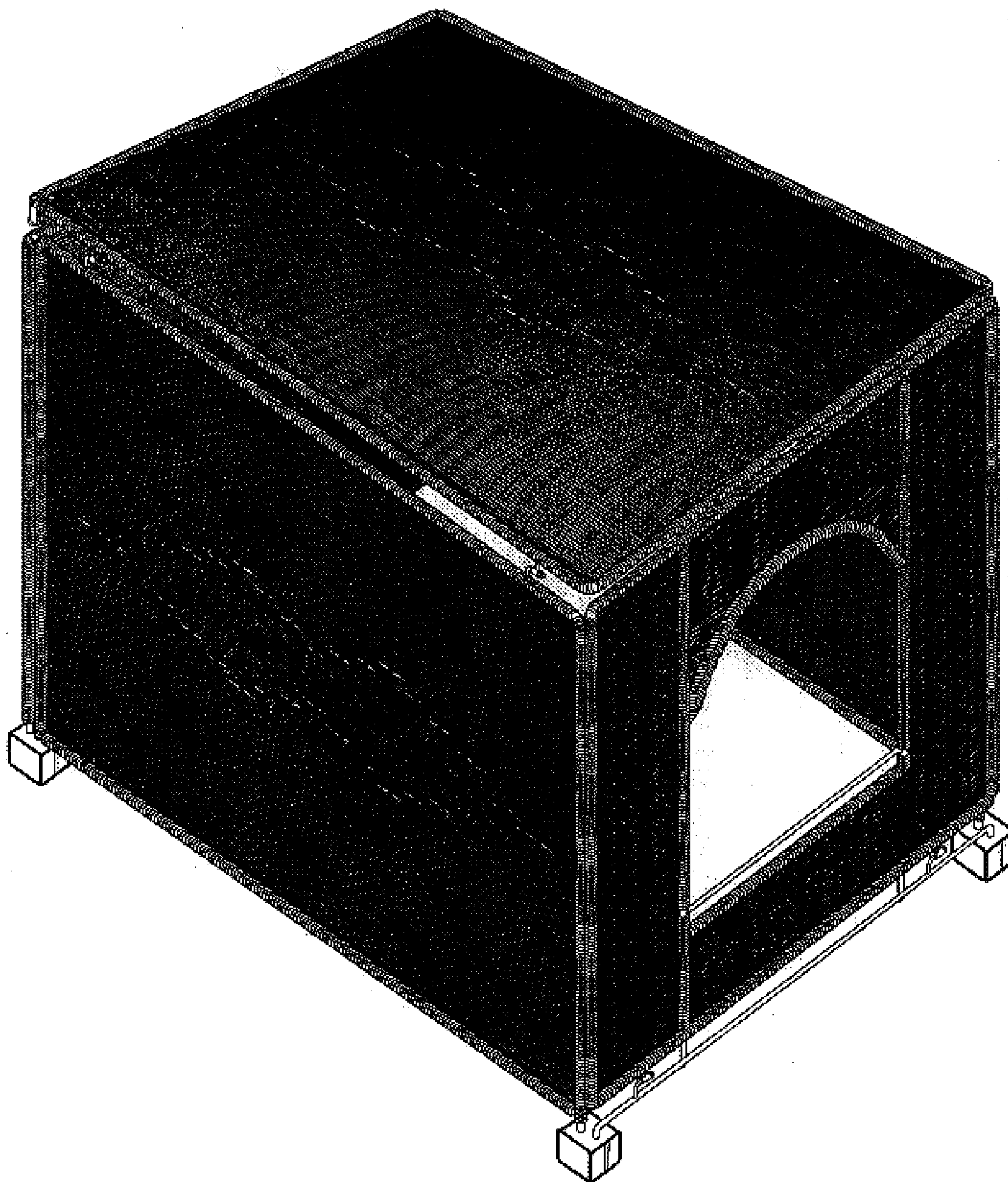


Fig. 1

Fig. 2

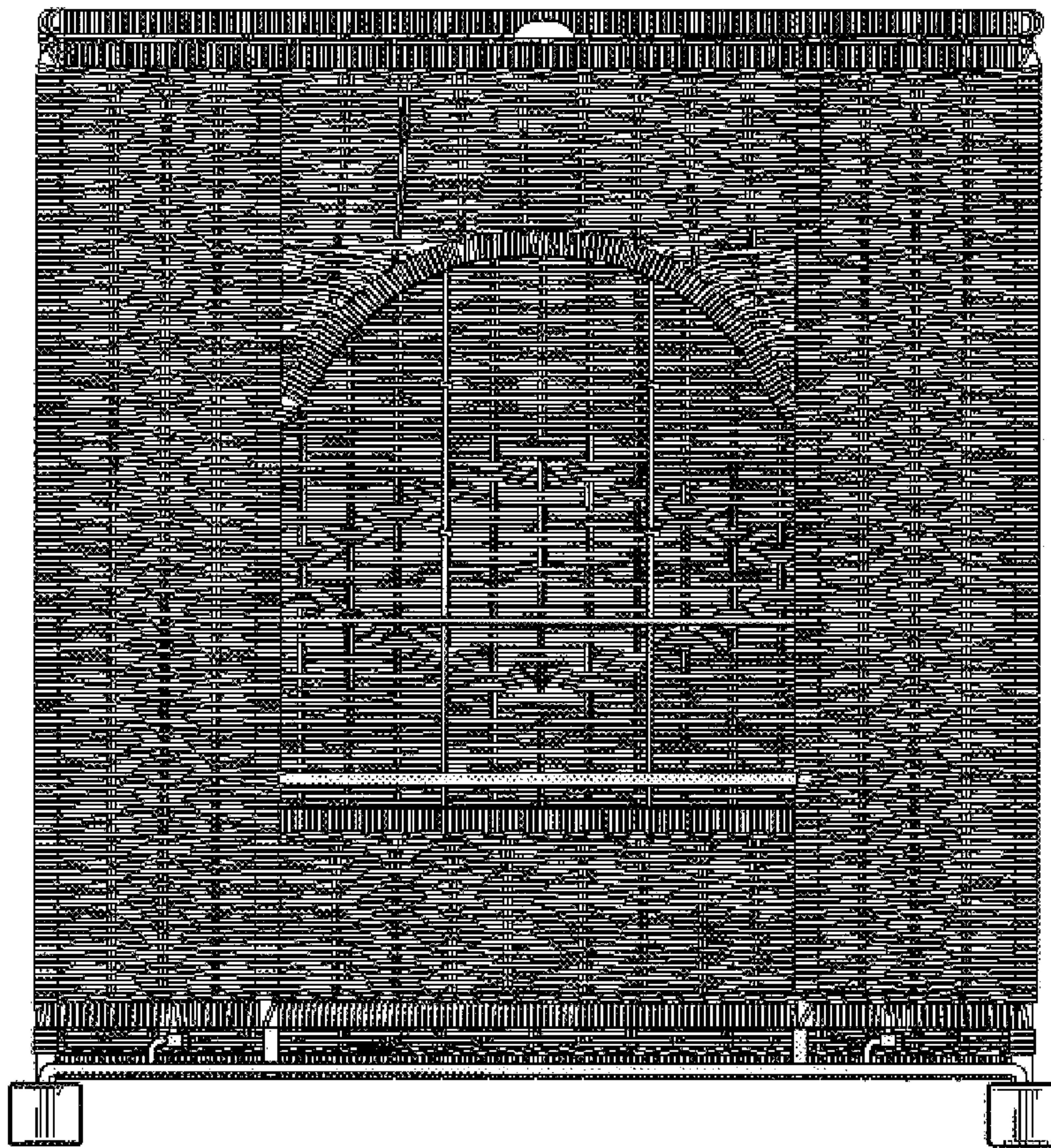


Fig. 3

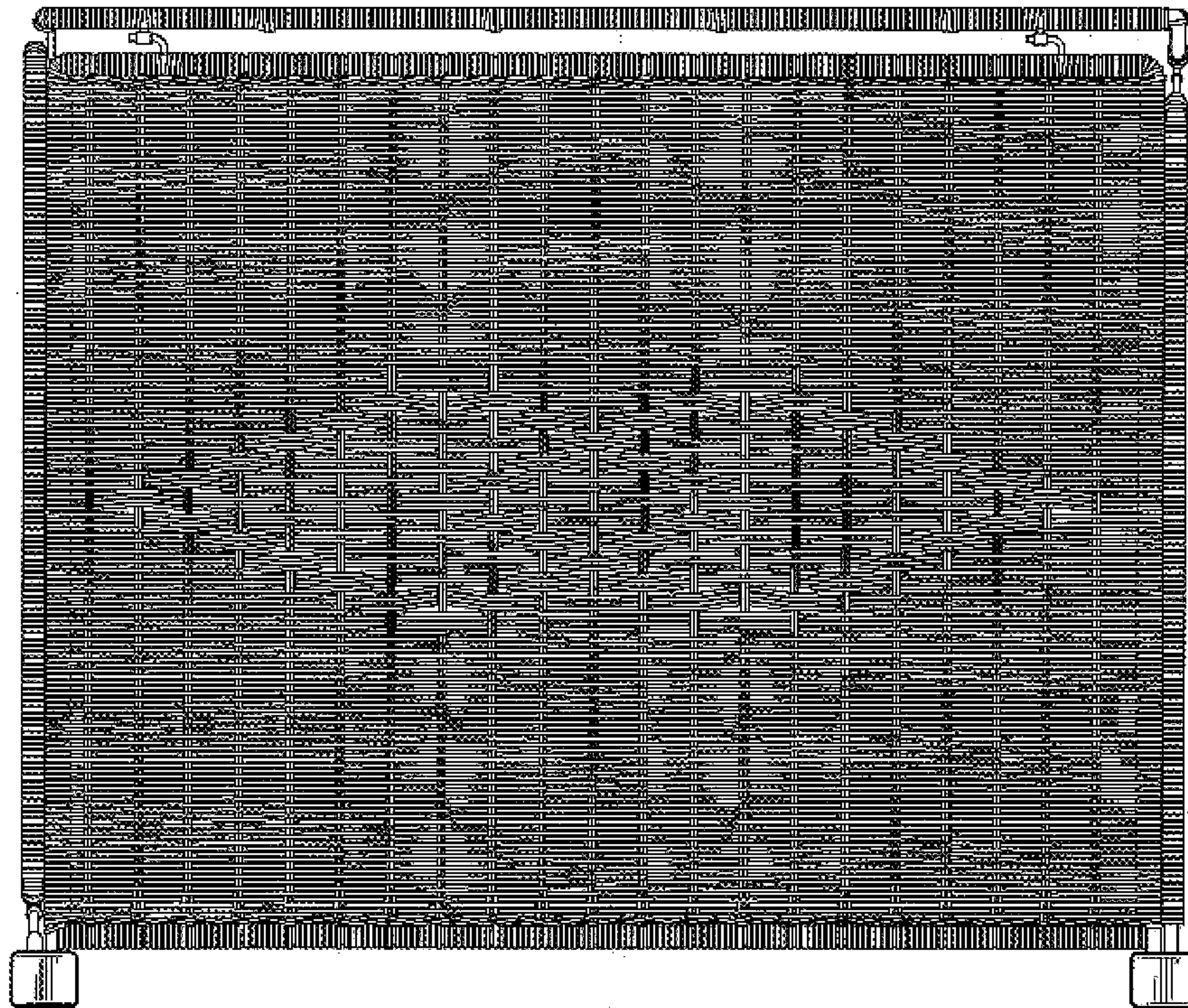


Fig. 4

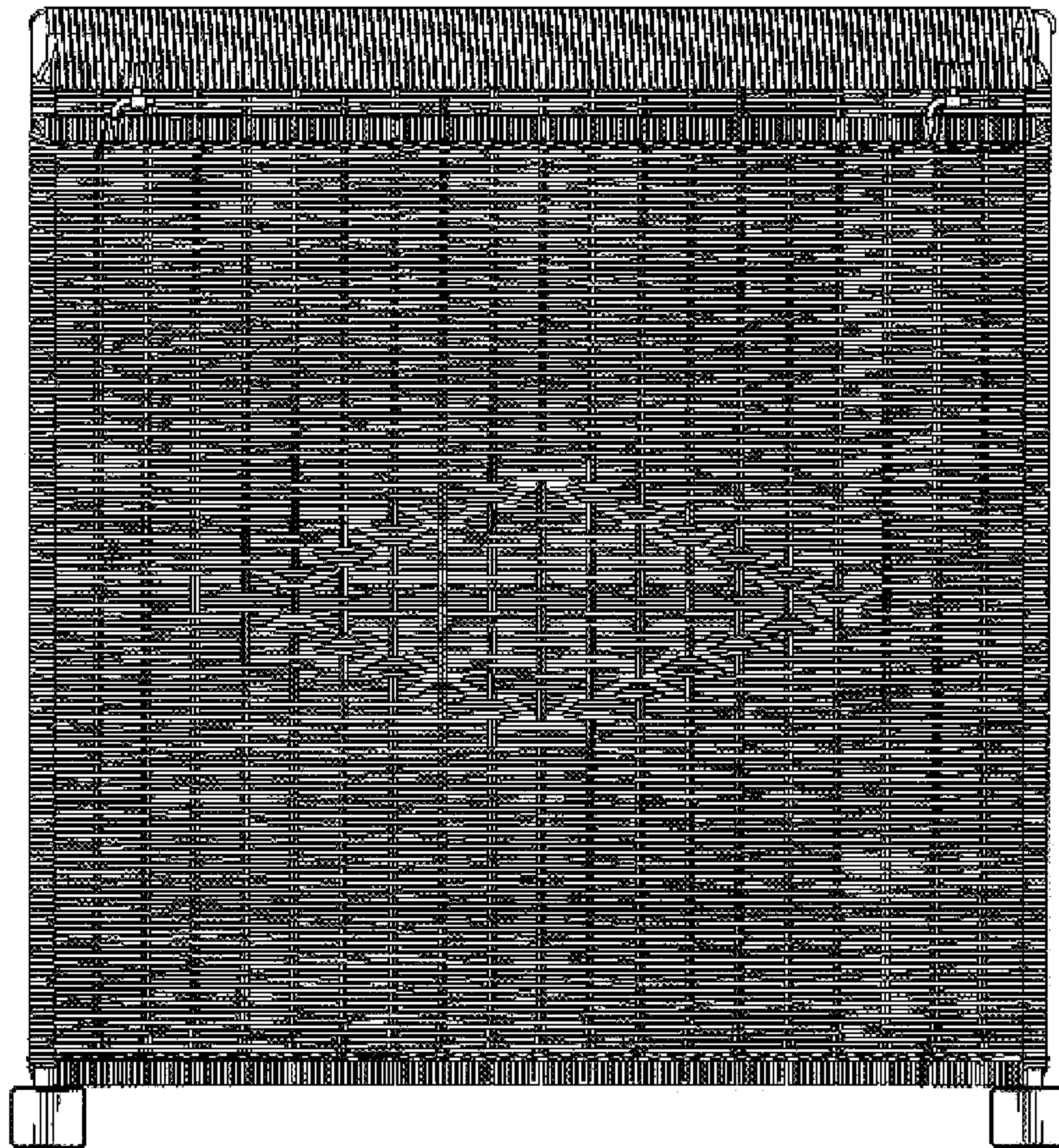


Fig. 5

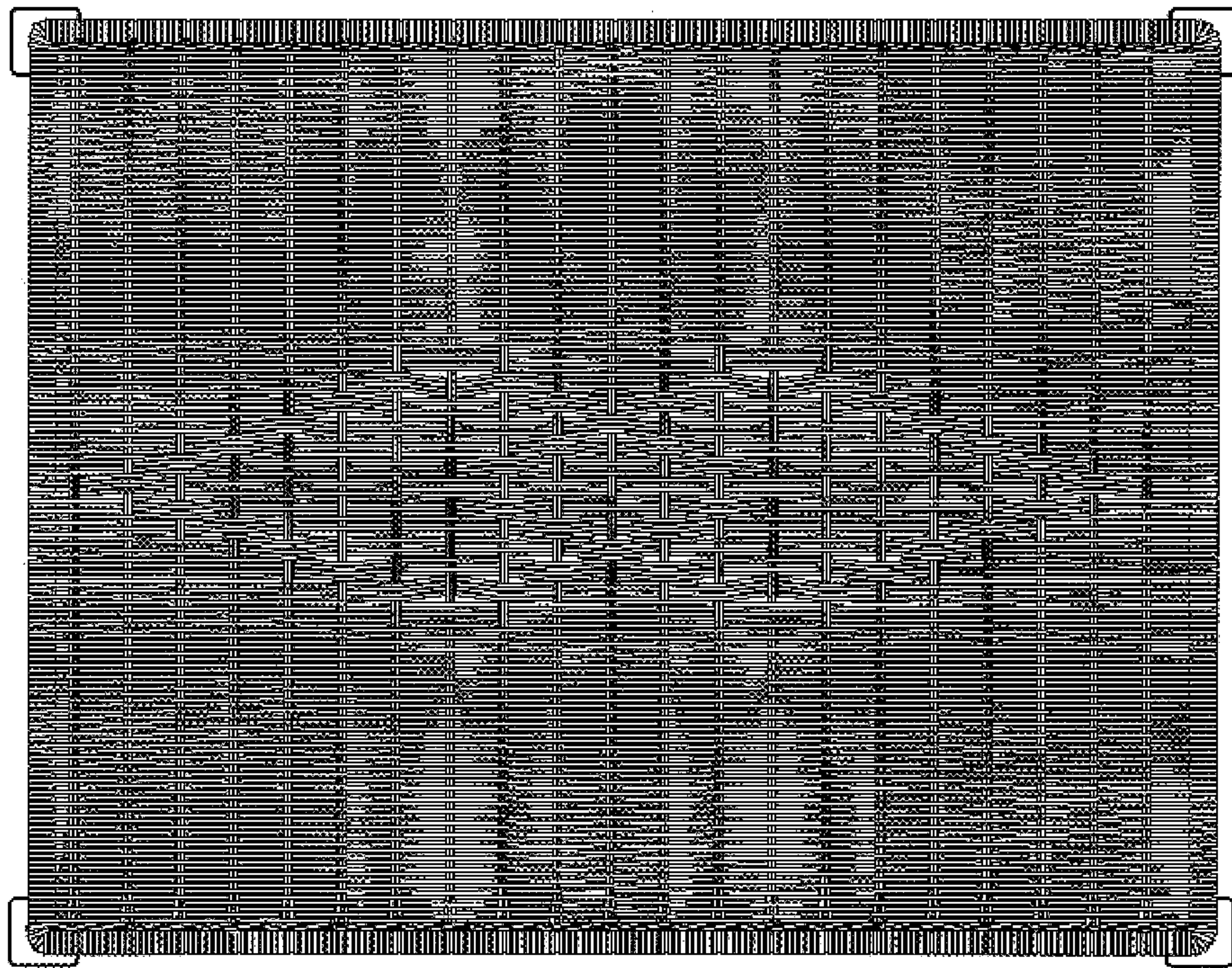
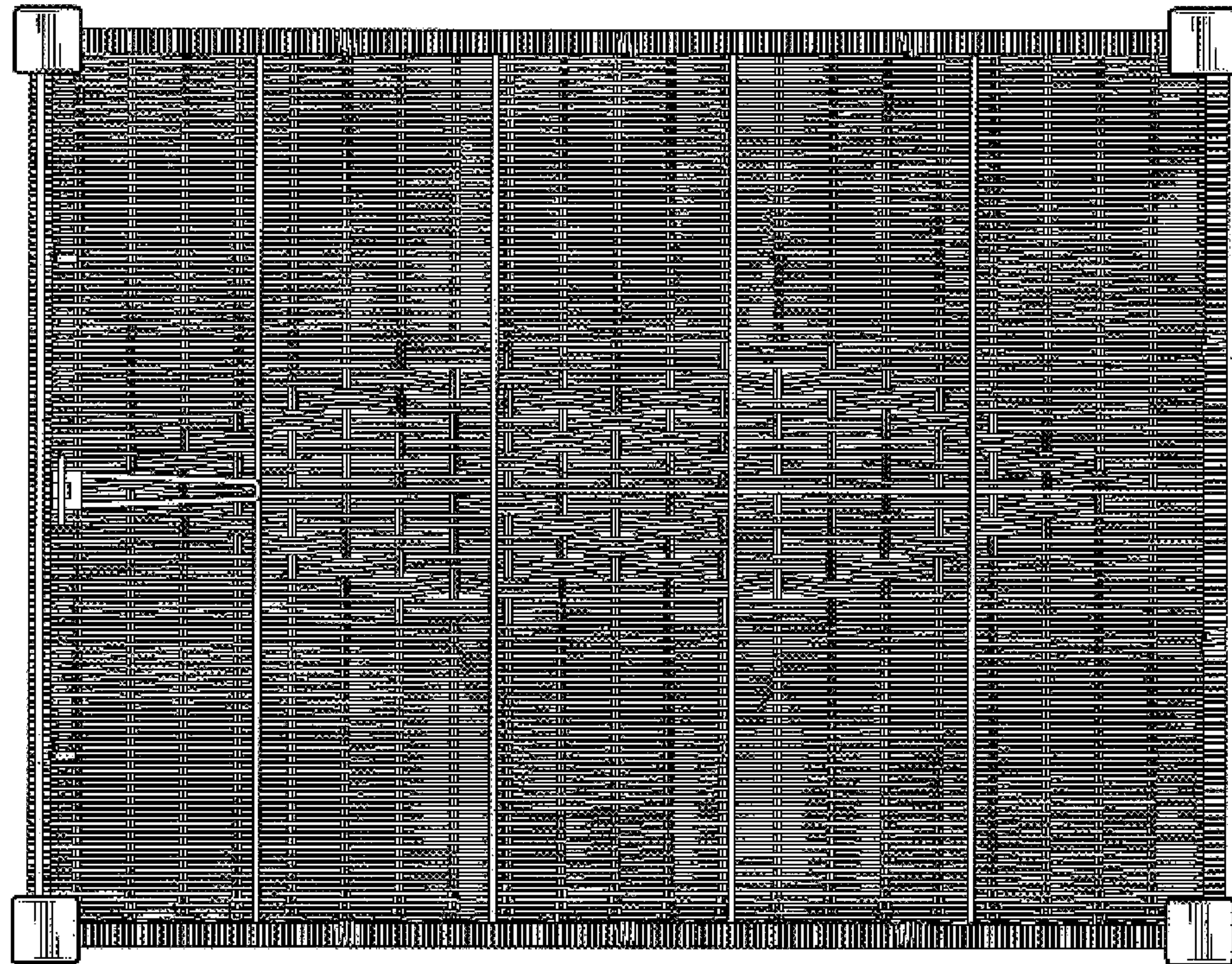


Fig. 6



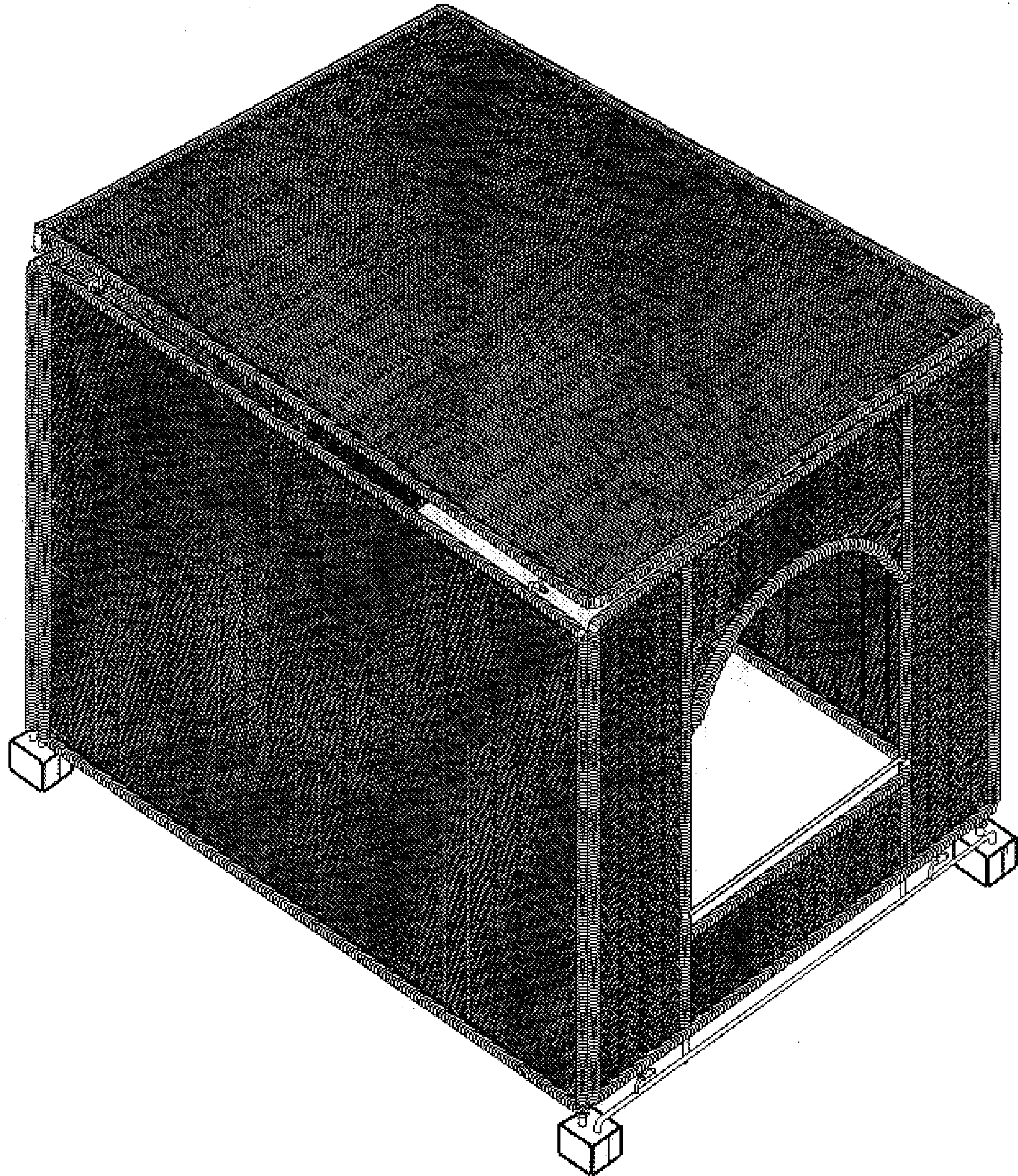


Fig. 1

Fig. 8

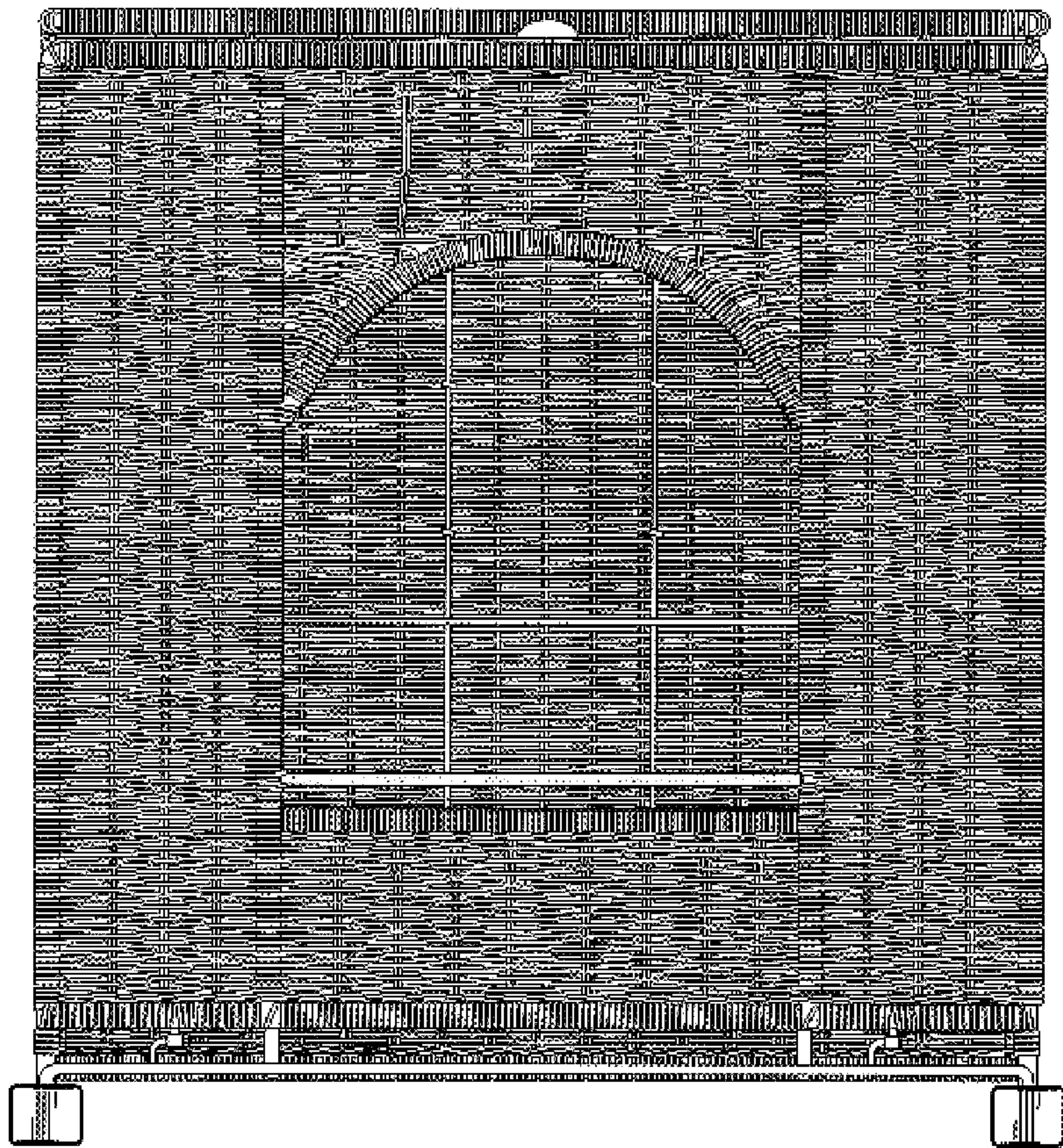


Fig. 9

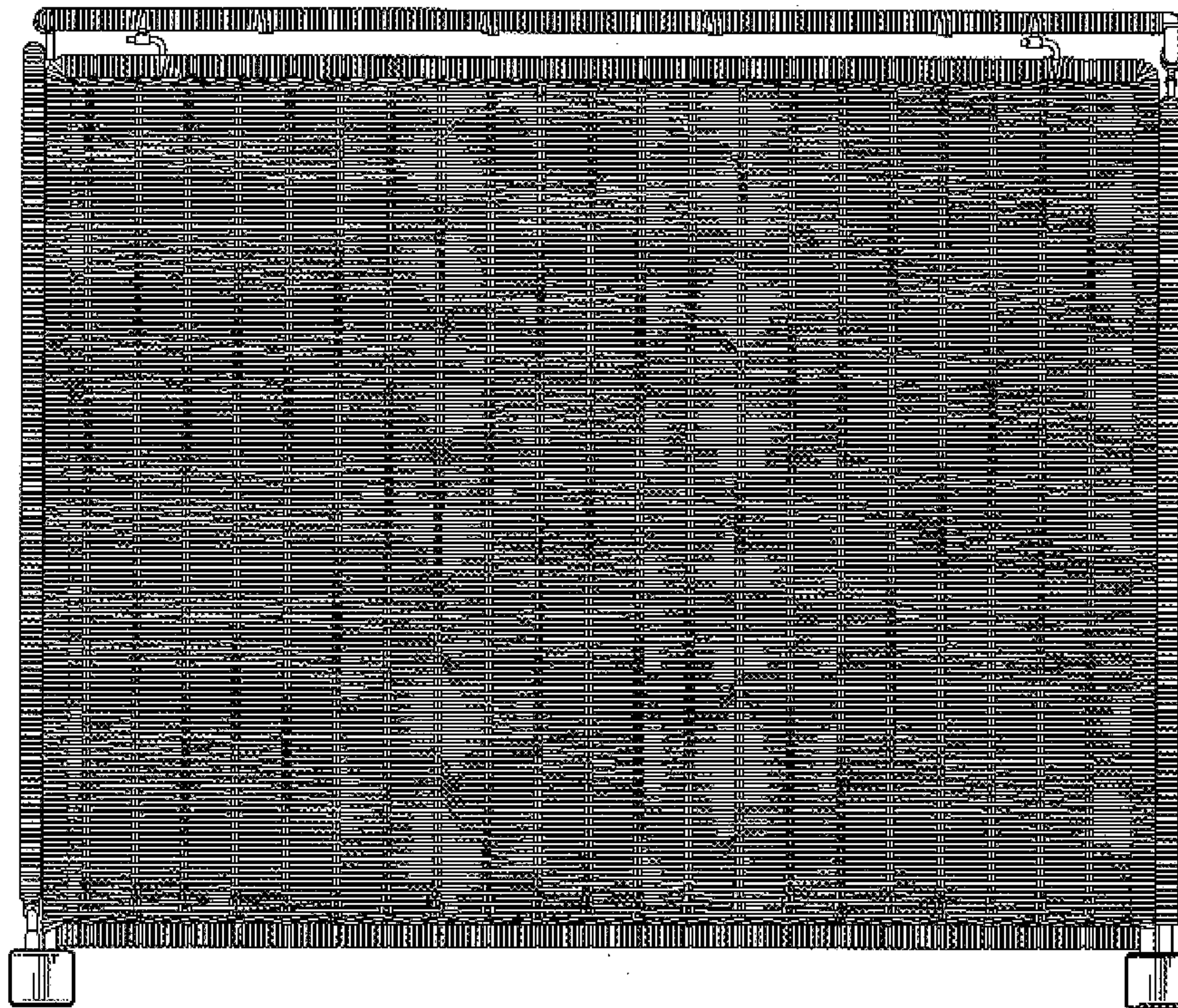


Fig. 10

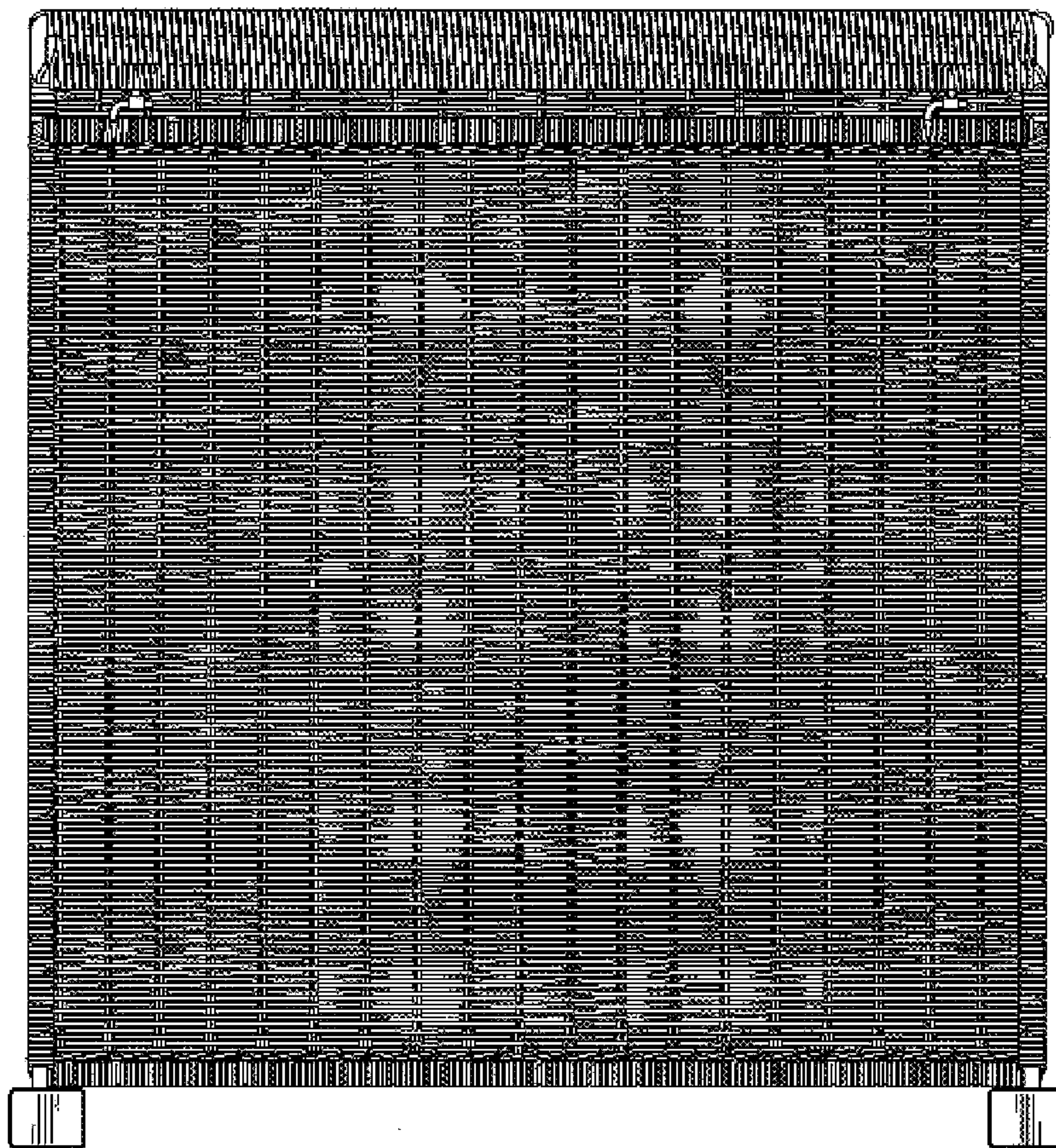


Fig. 11

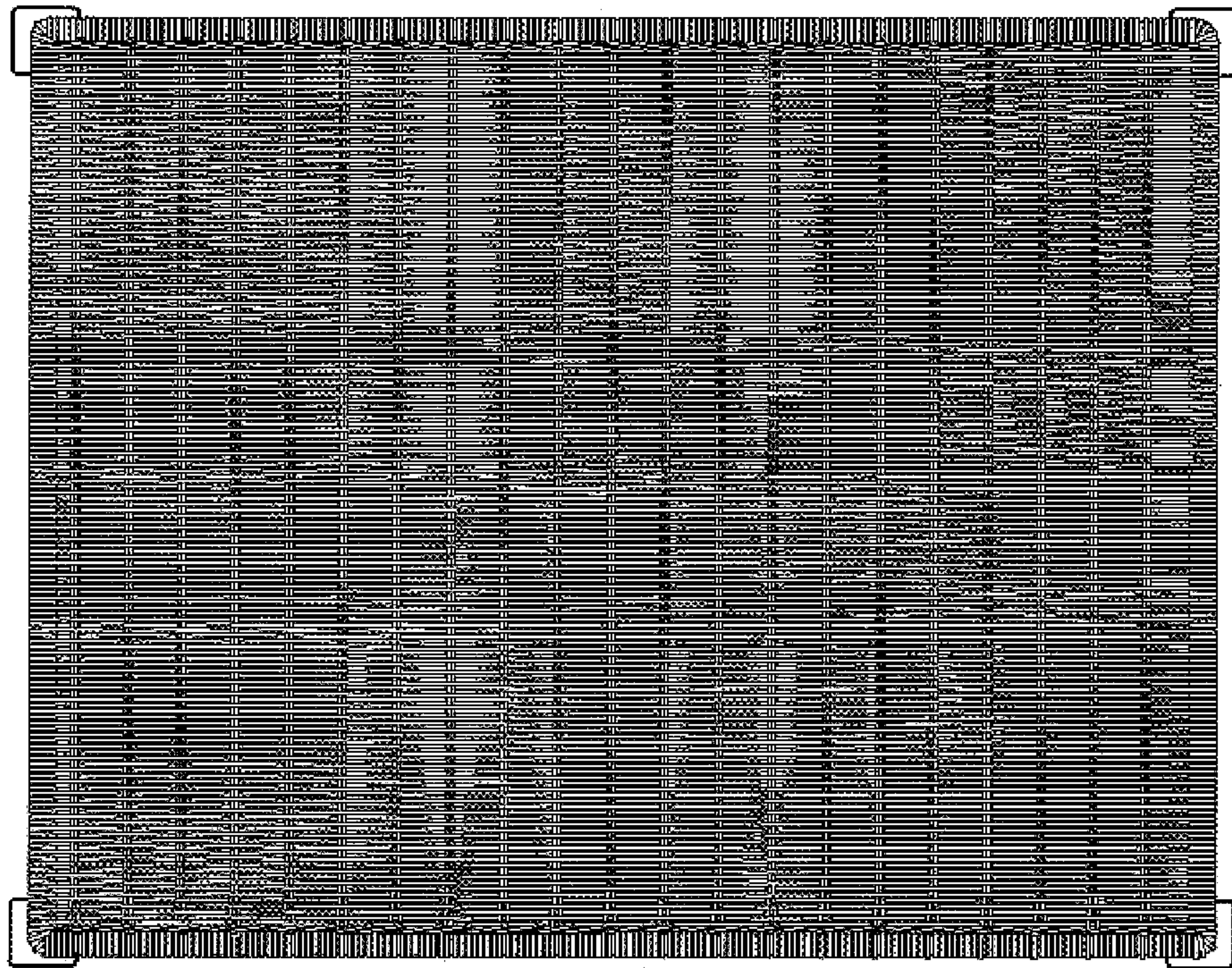


Fig. 12

