



US00D534318S

(12) **United States Design Patent**
Ditrichstein

(10) **Patent No.:** **US D534,318 S**

(45) **Date of Patent:** **** Dec. 26, 2006**

(54) **COSMETIC PALETTE**

(76) Inventor: **Vincent Ditrichstein**, 59 Quai de Valmy, 75010 Paris (FR)

(**) Term: **14 Years**

(21) Appl. No.: **29/239,535**

(22) Filed: **Sep. 30, 2005**

(51) **LOC (8) Cl.** **28-03**

(52) **U.S. Cl.** **D28/78; D28/83**

(58) **Field of Classification Search** D28/76-83;
206/581, 823; 132/314, 315, 318, 293-307
See application file for complete search history.

(56) **References Cited**

U.S. PATENT DOCUMENTS

D144,413 S	4/1946	Pfohl	
D213,653 S	3/1969	Sterm	
3,476,123 A	11/1969	Flax	
D216,351 S	12/1969	Mitchell	
4,807,773 A	2/1989	Tsai	
4,815,483 A	3/1989	DuGrenier et al.	
5,337,890 A *	8/1994	Lai	132/296
5,740,906 A	4/1998	Lai	
6,145,515 A	11/2000	Wu	
D436,693 S *	1/2001	Thorpe et al.	D28/76
D439,018 S	3/2001	Fang	
6,223,921 B1	5/2001	Huang	
D460,216 S *	7/2002	Hong	D28/76
6,540,083 B1	4/2003	Shih	
6,619,297 B1	9/2003	Sheng	
D490,937 S	6/2004	Ke	
2002/0036155 A1 *	3/2002	Freeman et al.	206/581

FOREIGN PATENT DOCUMENTS

FR	INT 057835	9/2001
FR	INT 061403	8/2002
FR	CD 000038450	5/2003
FR	000038450-0001	11/2003
HK	9801502.3	6/1997
HK	0410679.5M003	3/2004

JP	1141675	5/2002
KR	30-0261704	8/2000
KR	30-0275602	5/2001
KR	30-0285765	12/2001
KR	30-0285766	12/2001
KR	30-0285767	12/2001
KR	30-0305087-1	9/2002
TW	252691	7/1995
TW	455092	9/2001
TW	473023	1/2002
WO	DM/057835	9/2001
WO	DM/061403	8/2002

* cited by examiner

Primary Examiner—Jennifer Rivard

(74) *Attorney, Agent, or Firm*—Cynthia R. Miller

(57) **CLAIM**

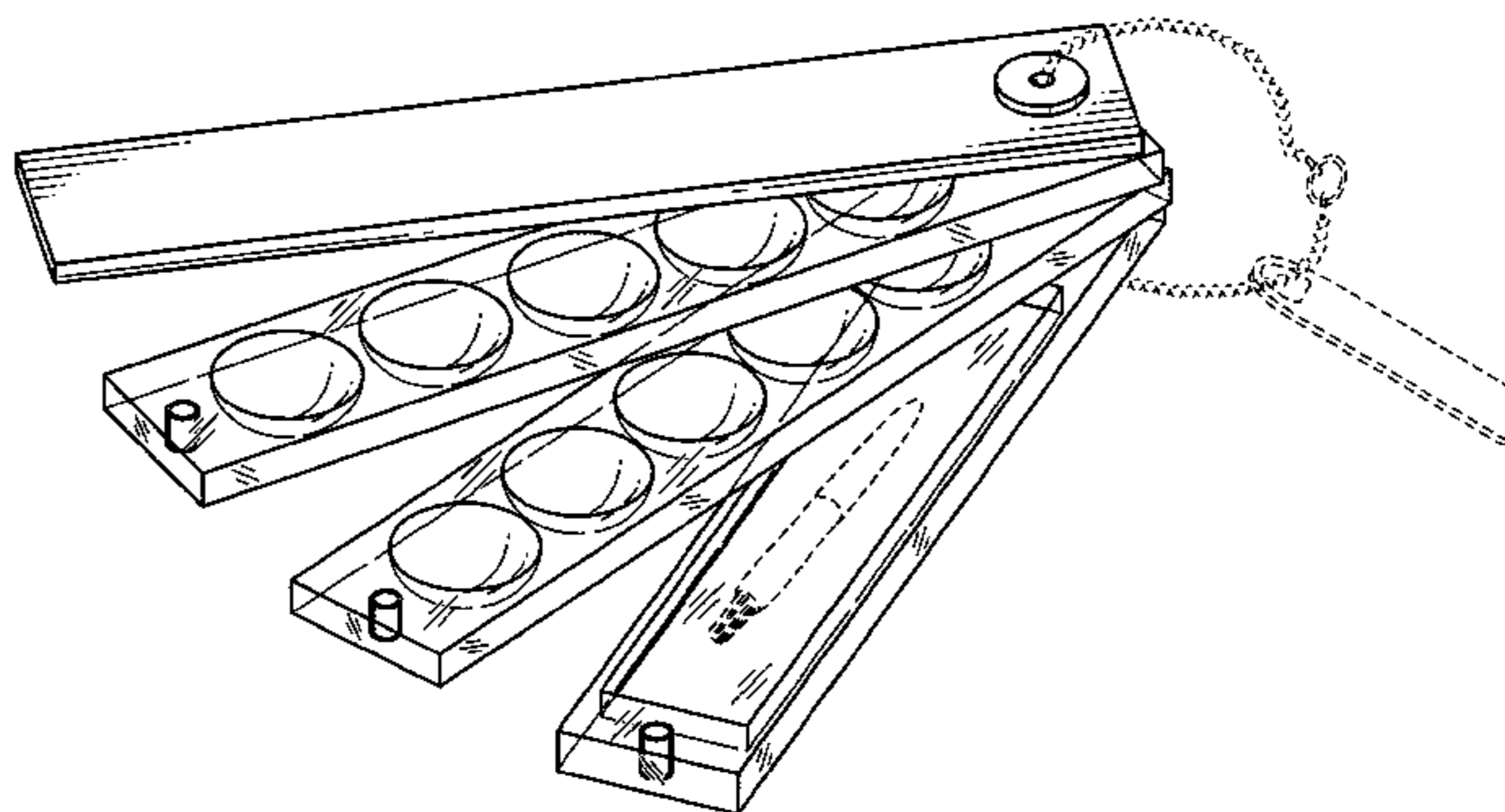
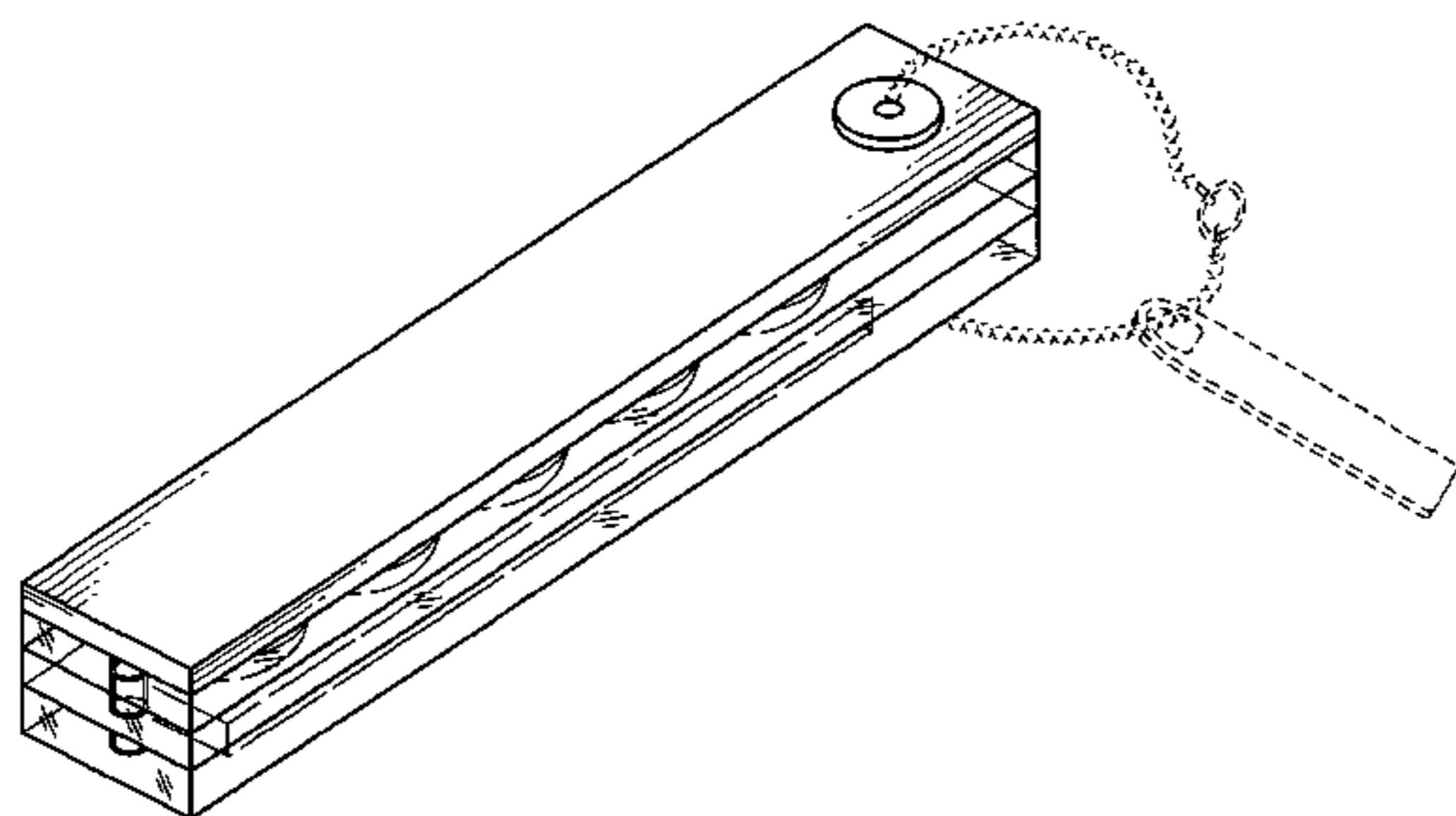
What is claimed is the ornamental design for a cosmetic palette, substantially as shown and described.

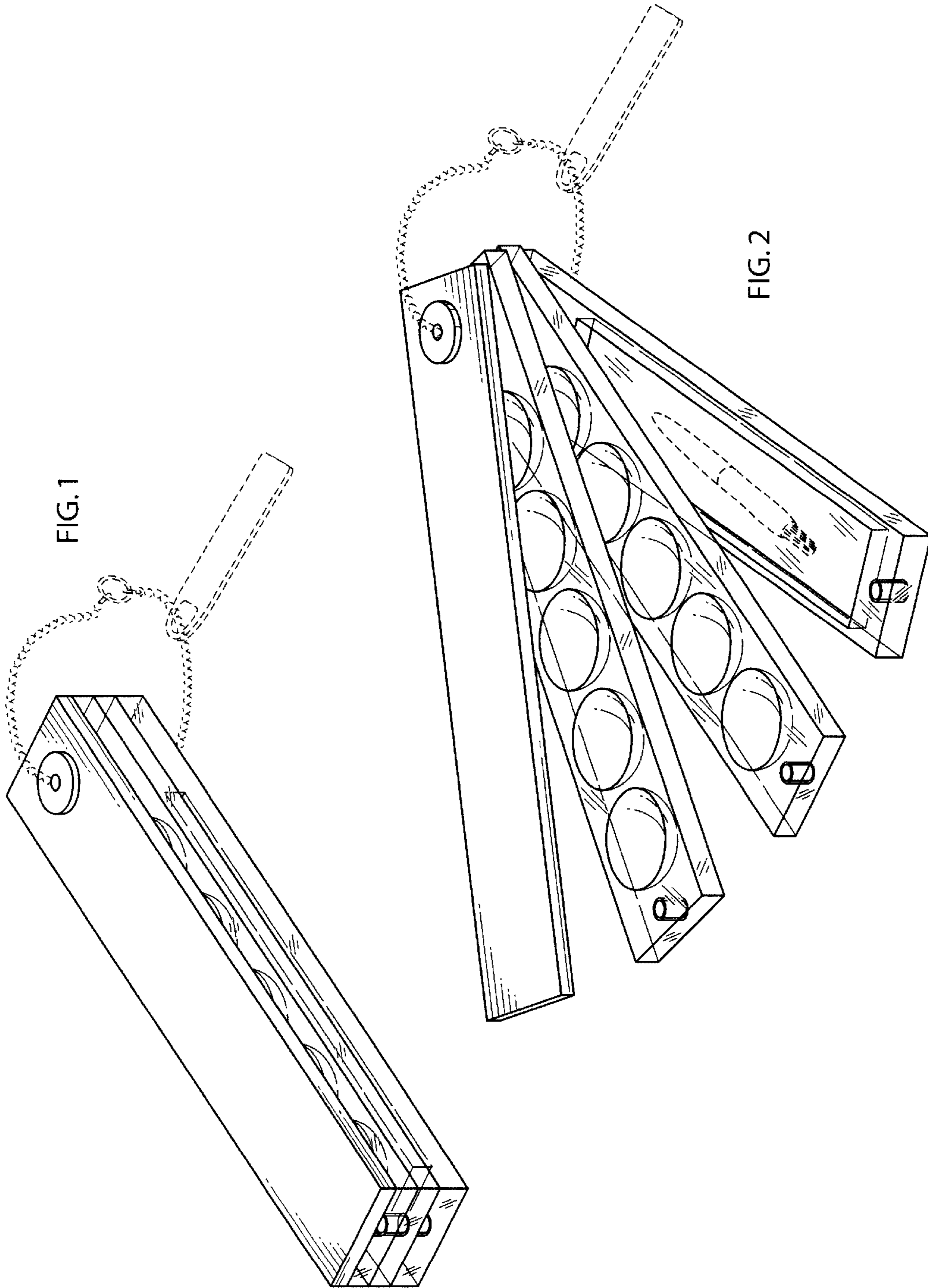
DESCRIPTION

FIG. 1 is a top, front and right side perspective view of a new design for a cosmetic palette shown in the closed position; FIG. 2 is a top, front and right side perspective view of the cosmetic palette shown in the open position; FIG. 3 is a top plan view of the cosmetic palette shown in FIG. 1; FIG. 4 is a bottom plan view of the cosmetic palette shown in FIG. 1; FIG. 5 is a right side elevation view of the cosmetic palette shown in FIG. 1, a left side elevation view being a mirror image thereof; FIG. 6 is a top plan view of the cosmetic palette shown in FIG. 2; FIG. 7 is a front elevation view of the cosmetic palette shown in FIG. 1; and, FIG. 8 is a rear elevation view of the cosmetic palette shown in FIG. 1.

The broken lines shown in the figures are for illustrative purposes only and form no part of the claimed design.

1 Claim, 3 Drawing Sheets





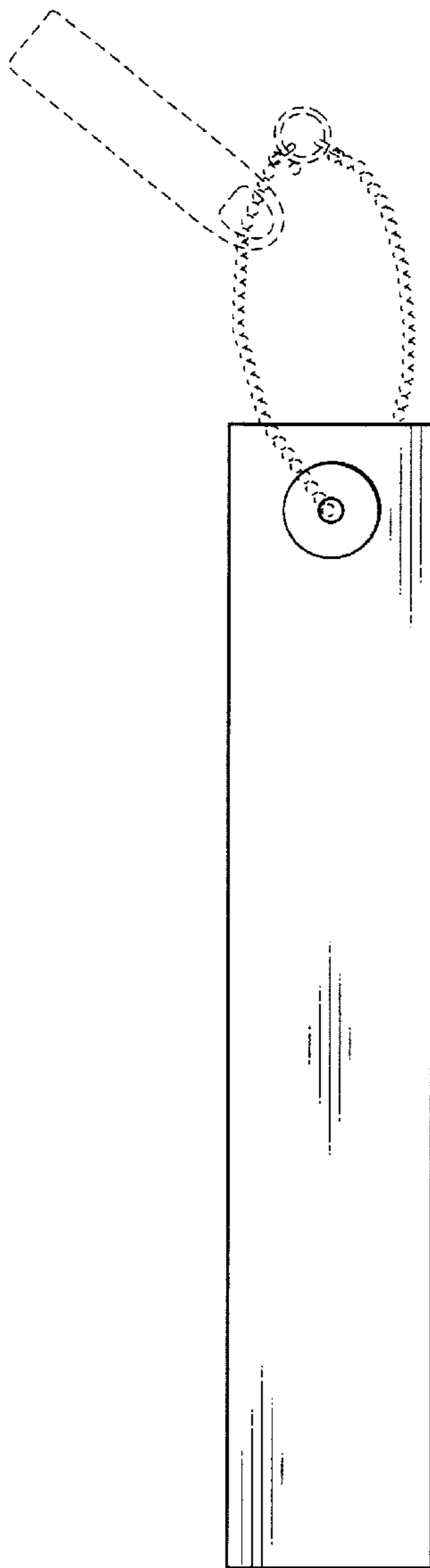


FIG. 3

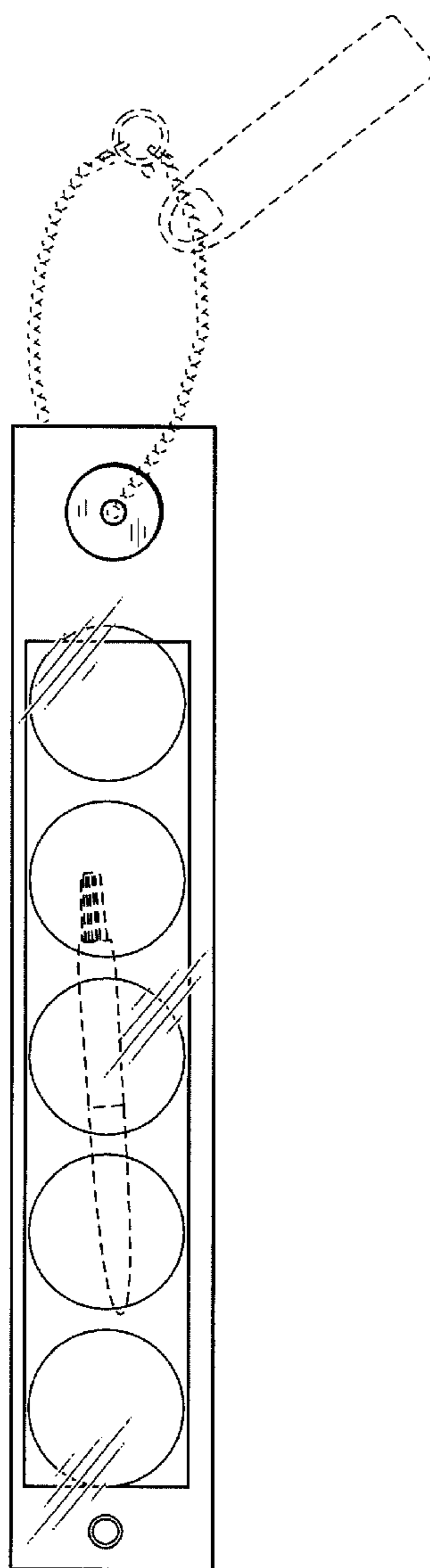


FIG. 4

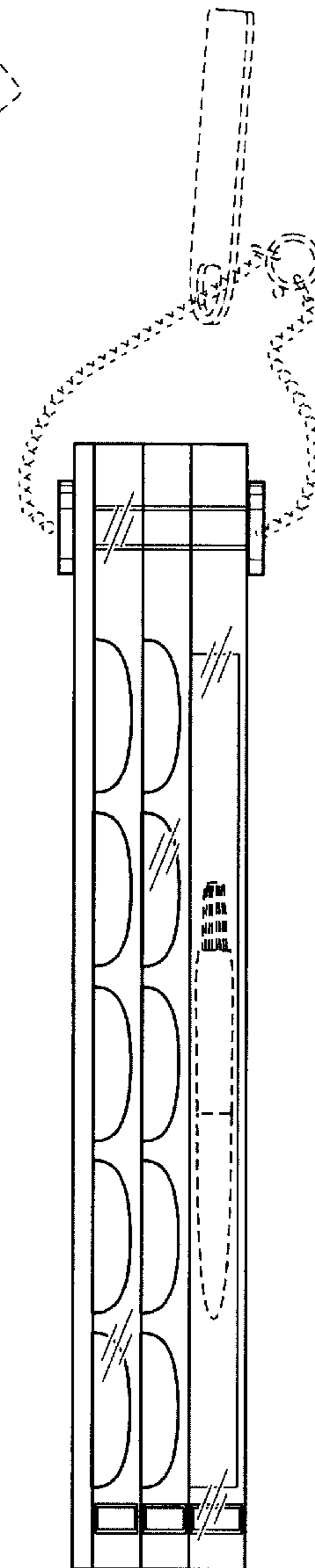


FIG. 5

