



US00D534310S

(12) **United States Design Patent** (10) **Patent No.:** **US D534,310 S**
Vu (45) **Date of Patent:** **** Dec. 26, 2006**

(54) **HAIRCURLER**

(75) Inventor: **Duy Phong Vu**, Frankfurt am Main (DE)

(73) Assignee: **Braun GmbH**, Kronberg (DE)

(**) Term: **14 Years**

(21) Appl. No.: **29/251,960**

(22) Filed: **Jan. 17, 2006**

(30) **Foreign Application Priority Data**

Jul. 18, 2005 (EM) 000373469

(51) **LOC (8) Cl.** **28-03**

(52) **U.S. Cl.** **D28/35**

(58) **Field of Classification Search** 132/223–225,
132/227, 229, 323, 245, 269, 271; D28/35;
219/222, 225, 226

See application file for complete search history.

(56) **References Cited**

U.S. PATENT DOCUMENTS

D261,441 S * 10/1981 Oberheim et al. D28/35

D506,851 S * 6/2005 Schmitz D28/35
2006/0076032 A1 * 4/2006 Fung 132/224

* cited by examiner

Primary Examiner—Jennifer Rivard

(74) *Attorney, Agent, or Firm*—Fish & Richardson P.C.

(57) **CLAIM**

The ornamental design for a haircurler, as shown and described.

DESCRIPTION

FIG. 1 is a perspective view of a haircurler from above, showing my new design;

FIG. 2 is a front view of the appliance thereof;

FIG. 3 is a side view of the appliance thereof

FIG. 4 is a side view of the appliance thereof;

FIG. 5 is a rear view of the appliance thereof;

FIG. 6 is a bottom plan view of the appliance thereof; and,

FIG. 7 is a top plan view of the appliance thereof.

1 Claim, 4 Drawing Sheets

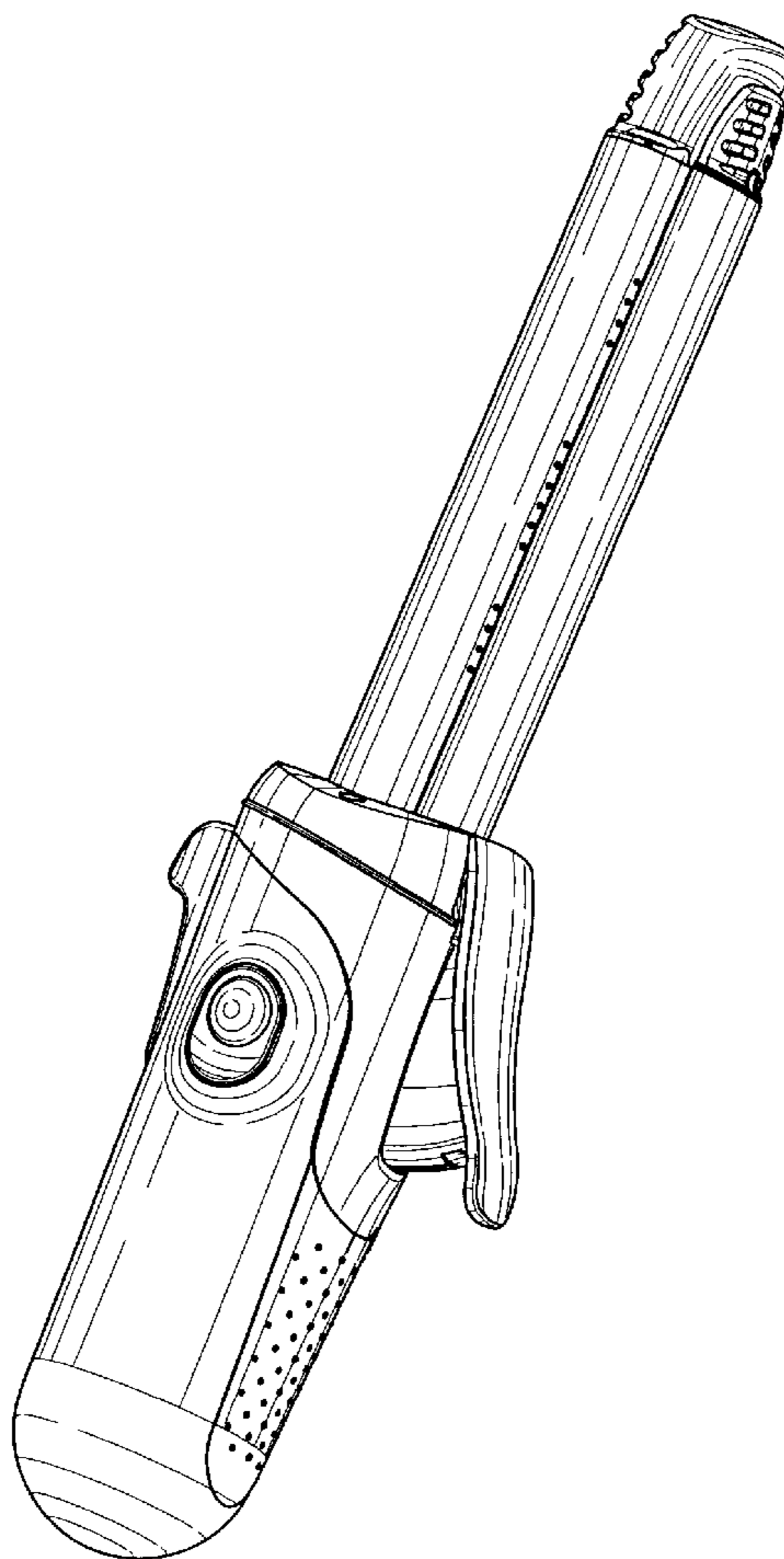
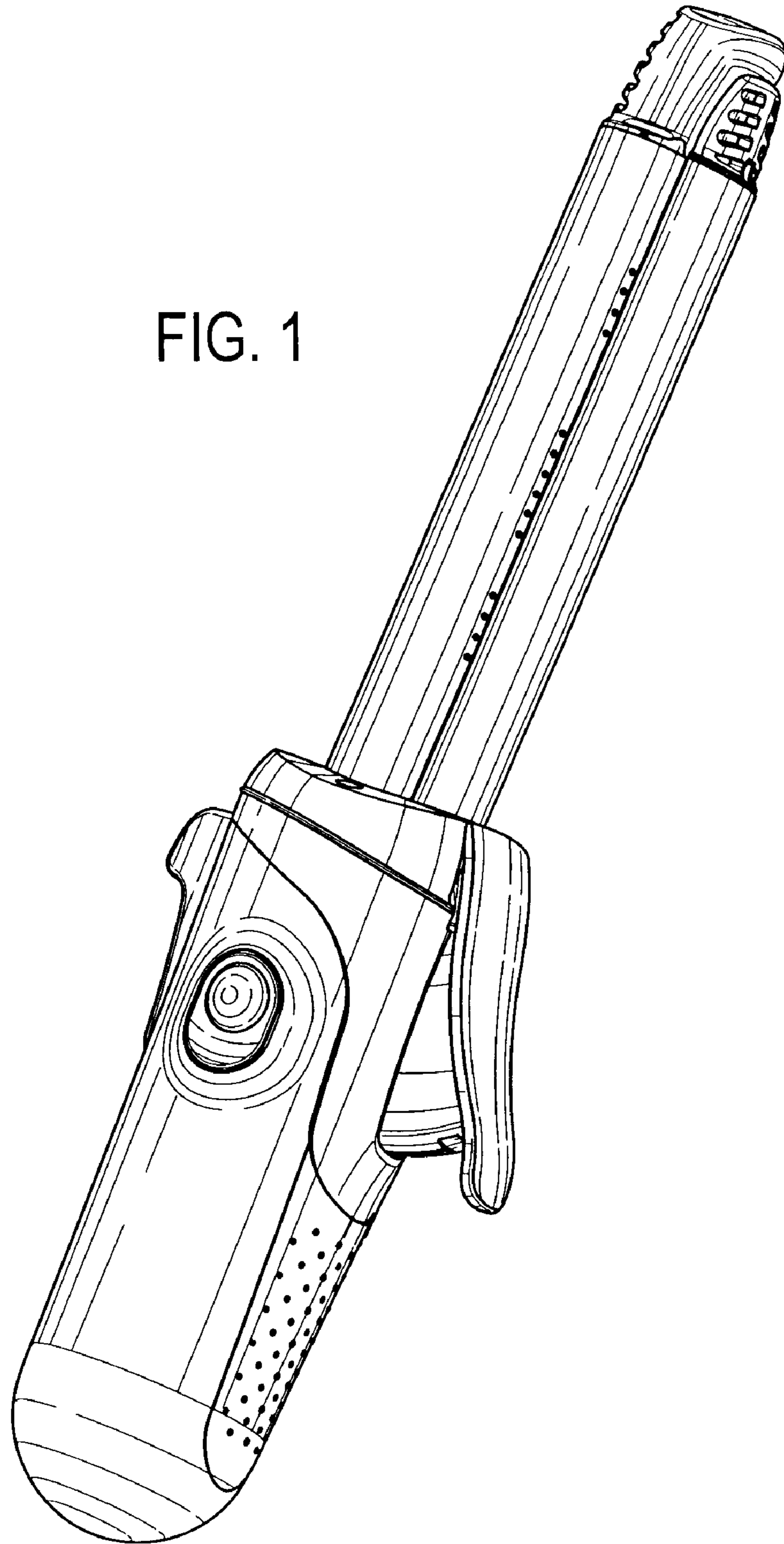


FIG. 1



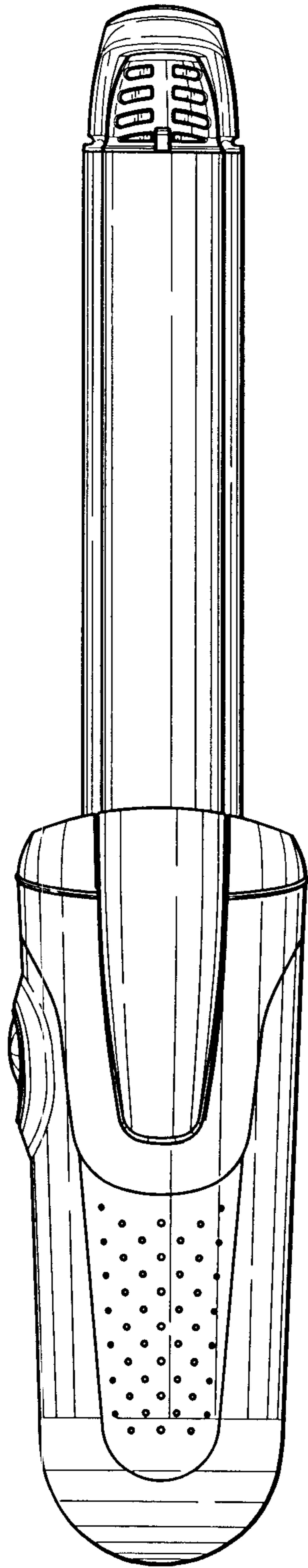


FIG. 2

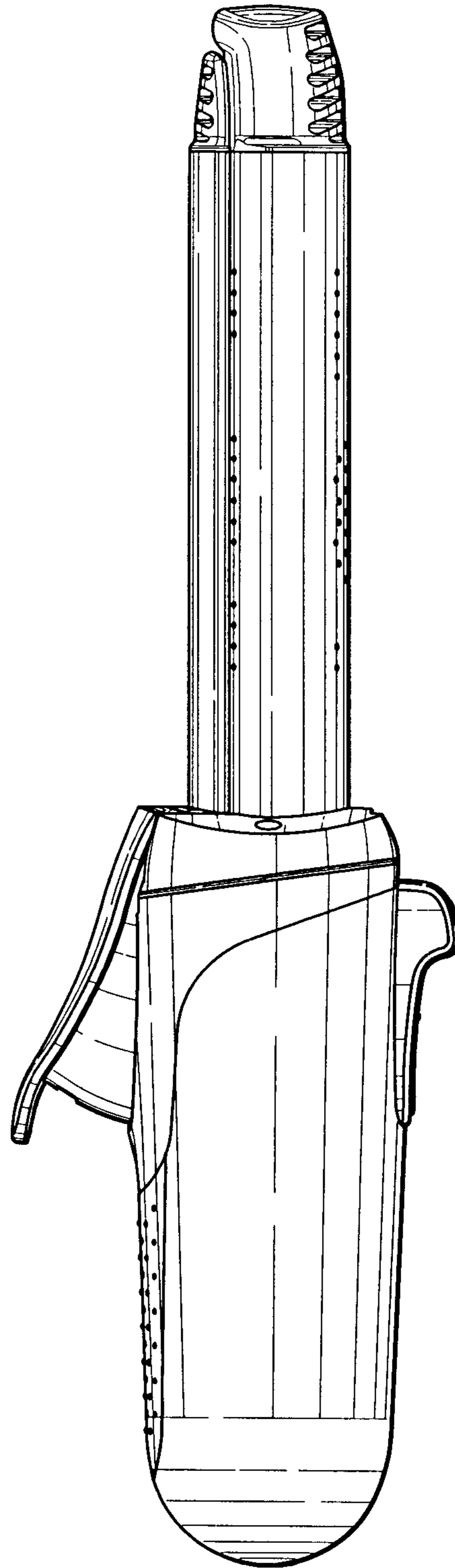


FIG. 3

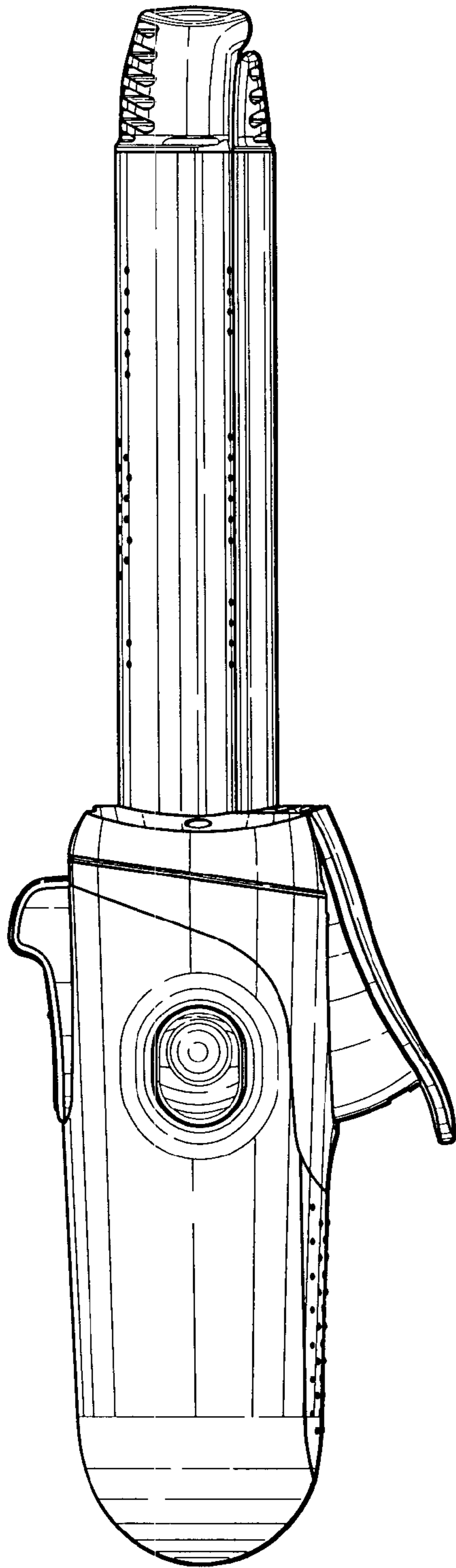


FIG. 4

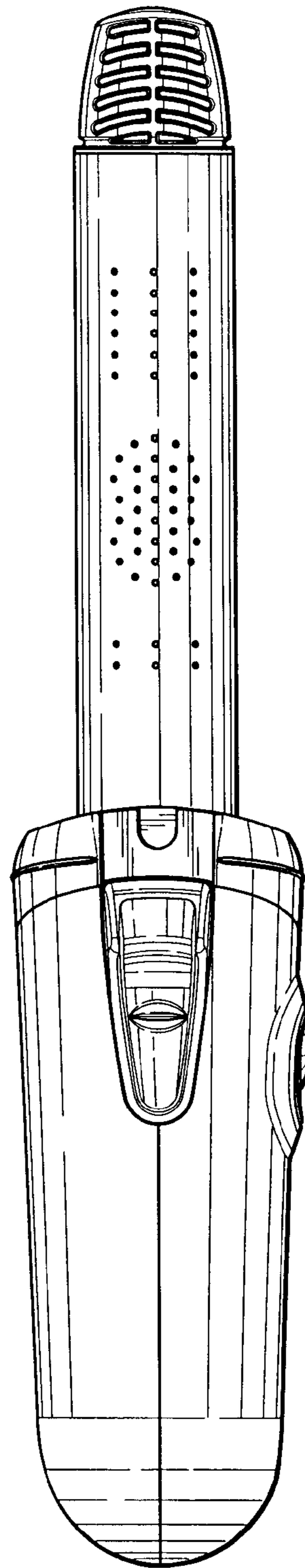


FIG. 5

FIG. 6

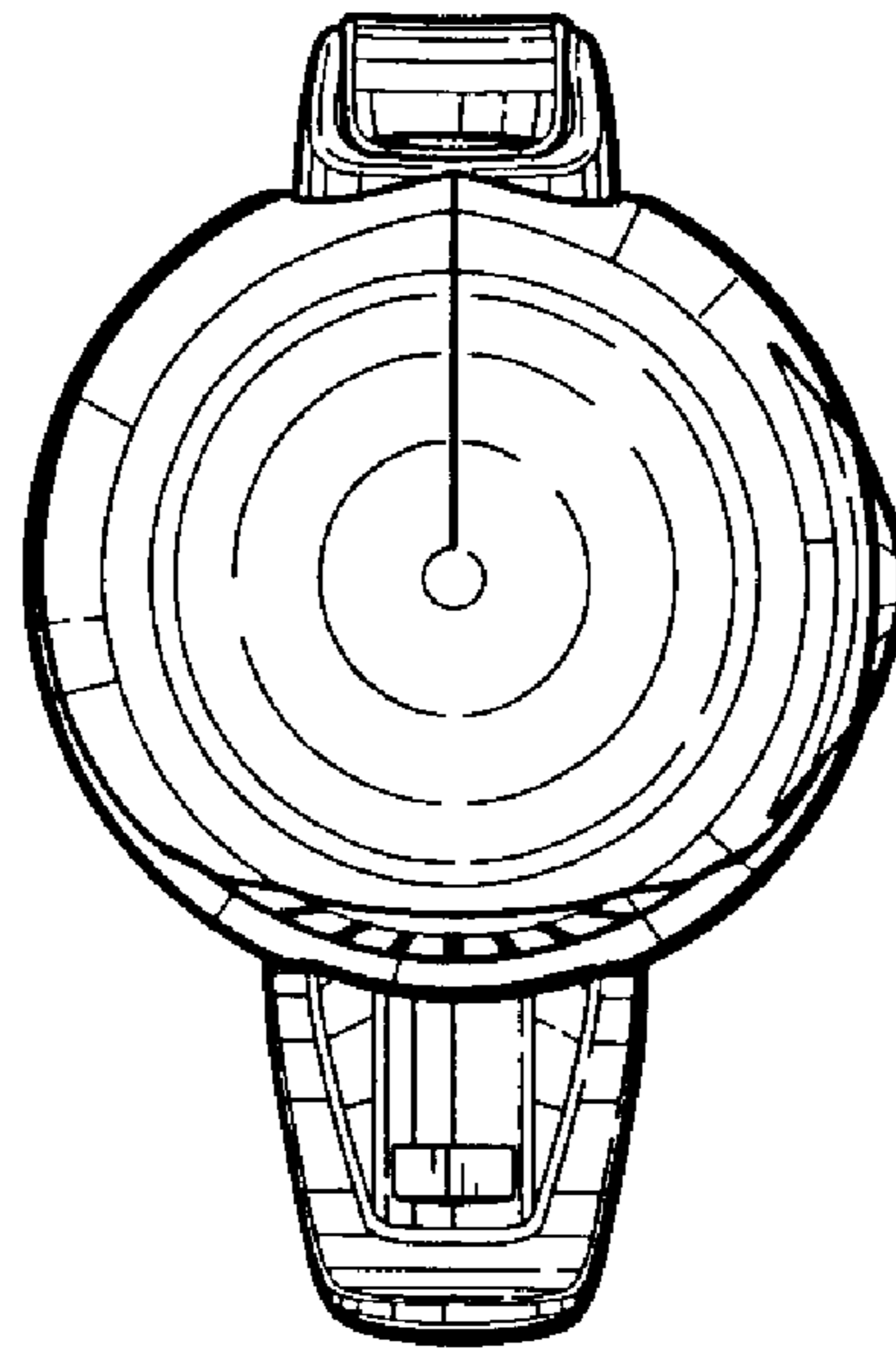


FIG. 7

