



US00D534304S

(12) **United States Design Patent**  
**Mier-Langner et al.**

(10) **Patent No.:** **US D534,304 S**

(45) **Date of Patent:** **\*\* Dec. 26, 2006**

(54) **TRACK LUMINAIRE**

(75) Inventors: **Alejandro Mier-Langner**, Providence, RI (US); **James E. Kuchar**, Fall River, MA (US); **Andrew E. Medeiros**, Fall River, MA (US)

(73) Assignee: **Genlyte Thomas Group, LLC**, Louisville, KY (US)

(\*\*) Term: **14 Years**

(21) Appl. No.: **29/204,950**

(22) Filed: **May 6, 2004**

(51) **LOC (8) Cl.** ..... **26-99**

(52) **U.S. Cl.** ..... **D26/155**

(58) **Field of Classification Search** ..... D26/155,  
D26/24, 67, 71, 72, 80-92, 145, 60-65, 138,  
D26/140; D13/133; 362/147, 404-408, 220,  
362/432

See application file for complete search history.

(56) **References Cited**

**U.S. PATENT DOCUMENTS**

3,601,598	A	*	8/1971	Horn	.....	362/418
4,121,280	A	*	10/1978	Chapman et al.	.....	362/418
D319,702	S	*	9/1991	Kane	.....	D26/63
D321,410	S	*	11/1991	Layne	.....	D26/138
D325,789	S	*	4/1992	Atkinson	.....	D26/63
D402,384	S	*	12/1998	Chen	.....	D26/63

D437,437	S	*	2/2001	Donato	.....	D26/63
D443,940	S	*	6/2001	Donato	.....	D26/63
D444,251	S	*	6/2001	Donato	.....	D26/63
D447,260	S	*	8/2001	Demshki	.....	D26/63
D450,405	S	*	11/2001	Demshki	.....	D26/63
D461,019	S	*	7/2002	Donato	.....	D26/63
D476,439	S	*	6/2003	O'Rourke	.....	D26/63

\* cited by examiner

*Primary Examiner*—Freda S. Nunn

*Assistant Examiner*—Kevin K. Rudzinski

(74) *Attorney, Agent, or Firm*—John F. Salazar; Middleton Reutlinger

(57) **CLAIM**

The ornamental design for a track luminaire, as shown and described.

**DESCRIPTION**

FIG. 1 is a perspective view of the design for our track luminaire.

FIG. 2 is a front view of our design.

FIG. 3 is a right side view of our design.

FIG. 4 is a left side view of our design.

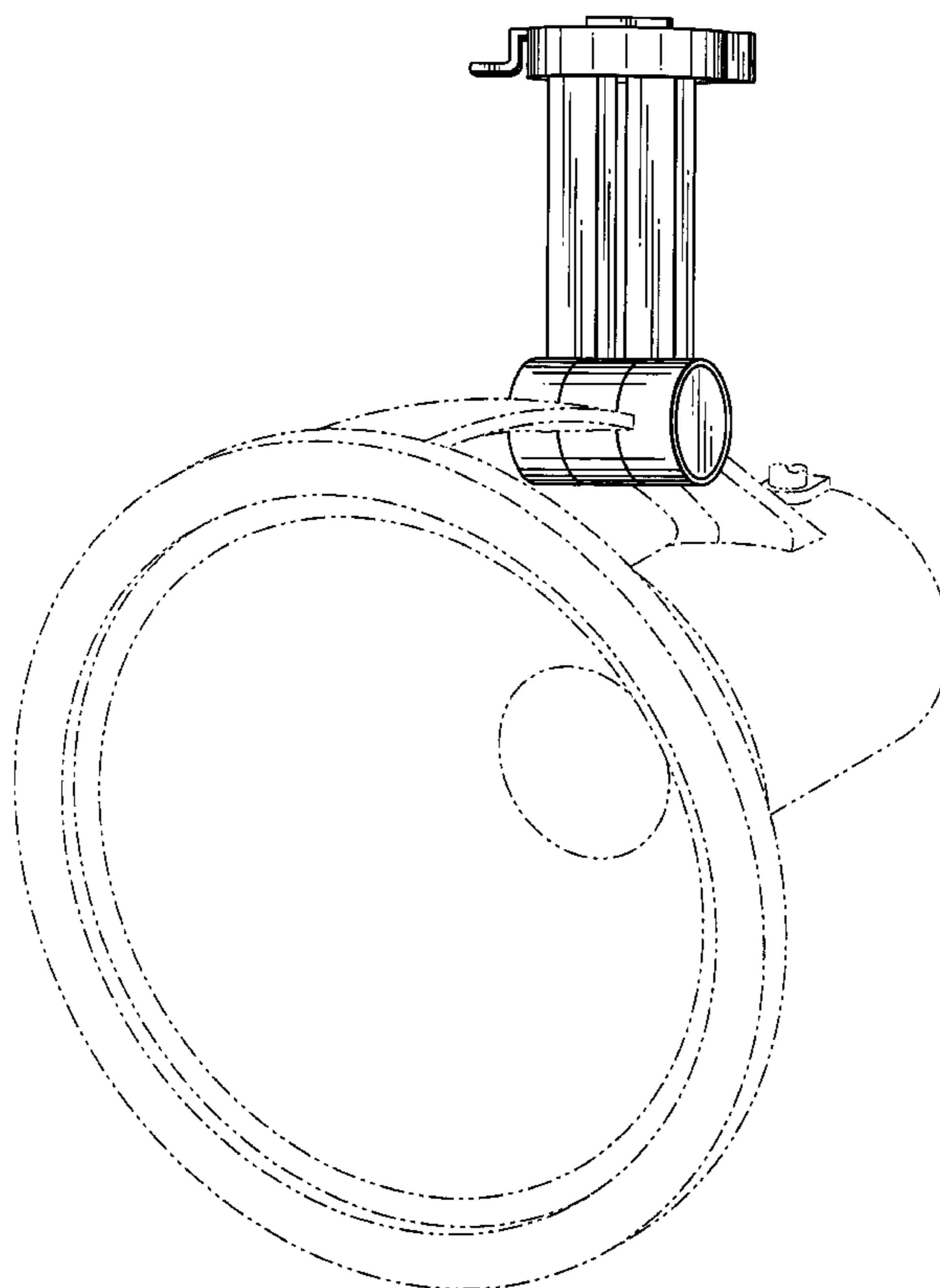
FIG. 5 is a rear view of our design.

FIG. 6 is top view of our design; and,

FIG. 7 is a bottom view of our design.

The broken line showing environmental structure is for illustrative purposes only and forms no part of the claimed design.

**1 Claim, 7 Drawing Sheets**



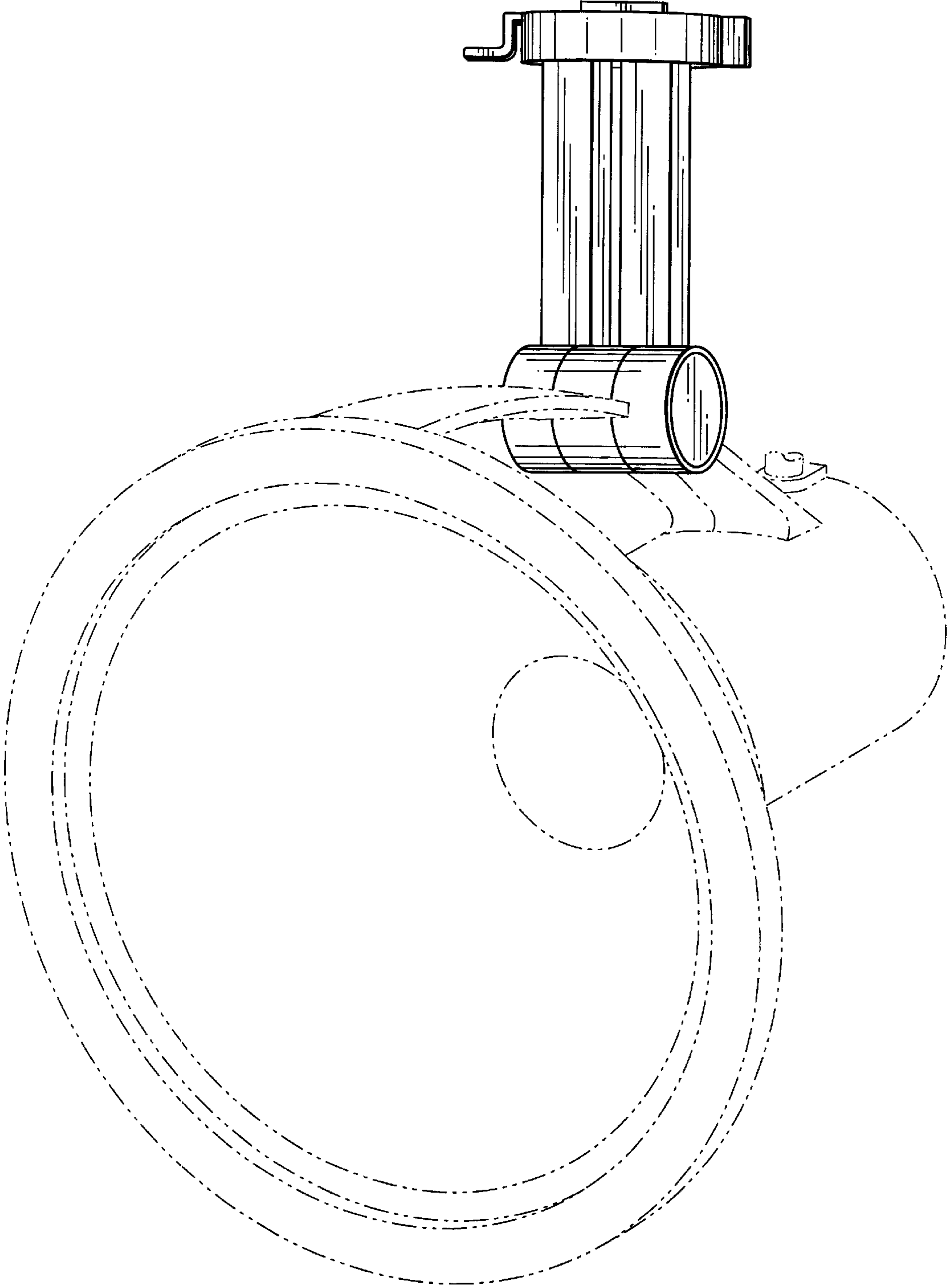


FIG. 1

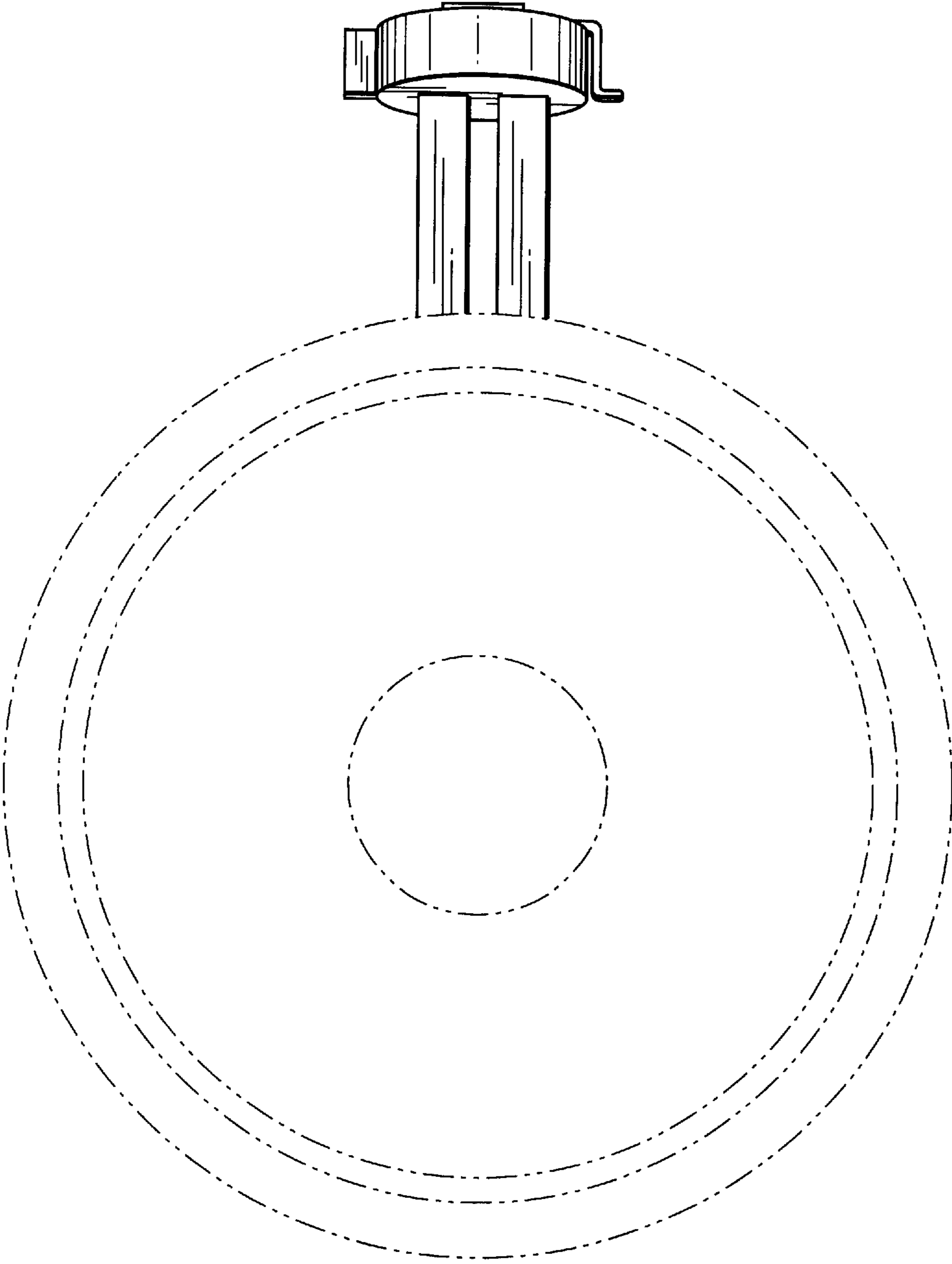


FIG. 2

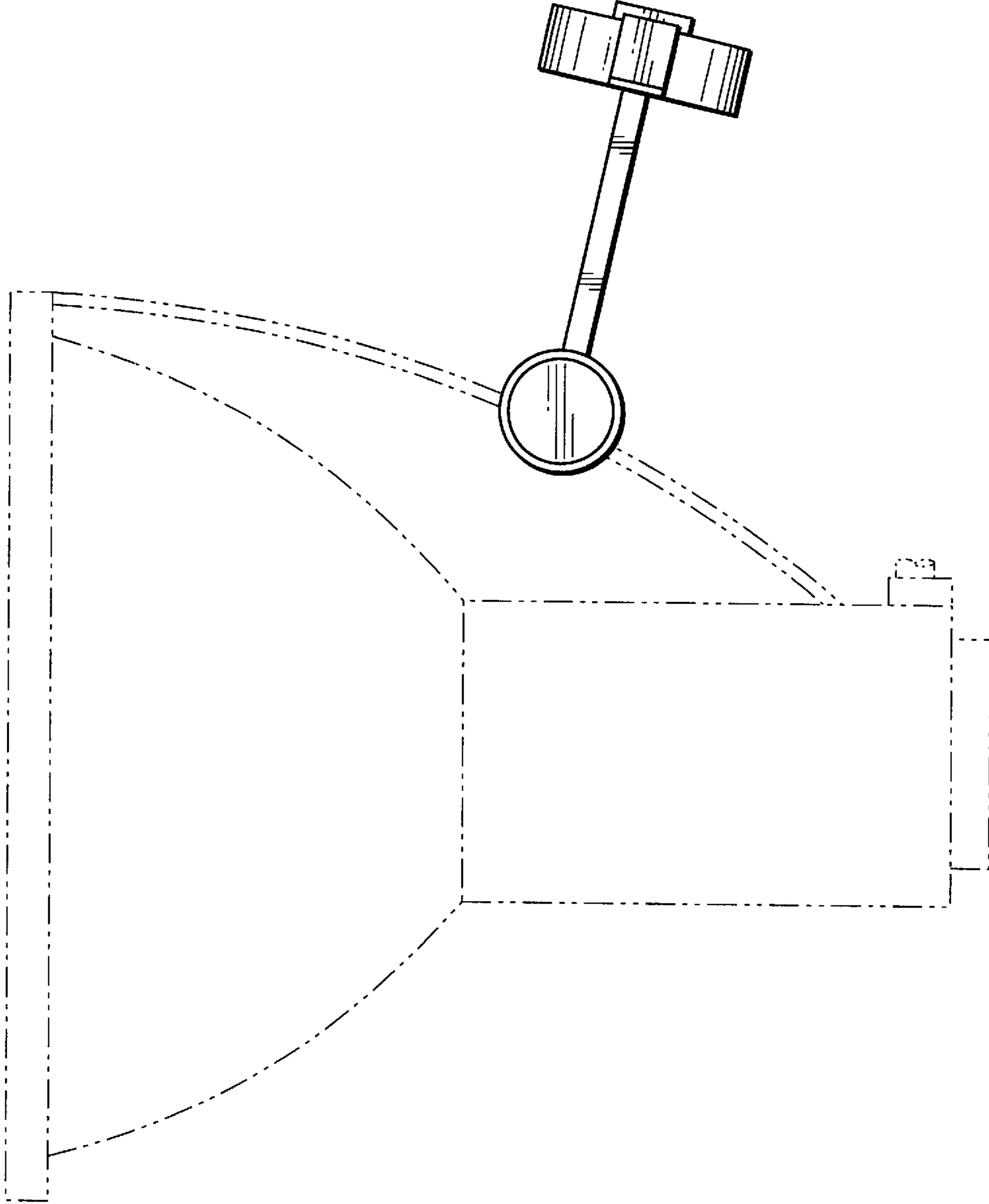


FIG. 3

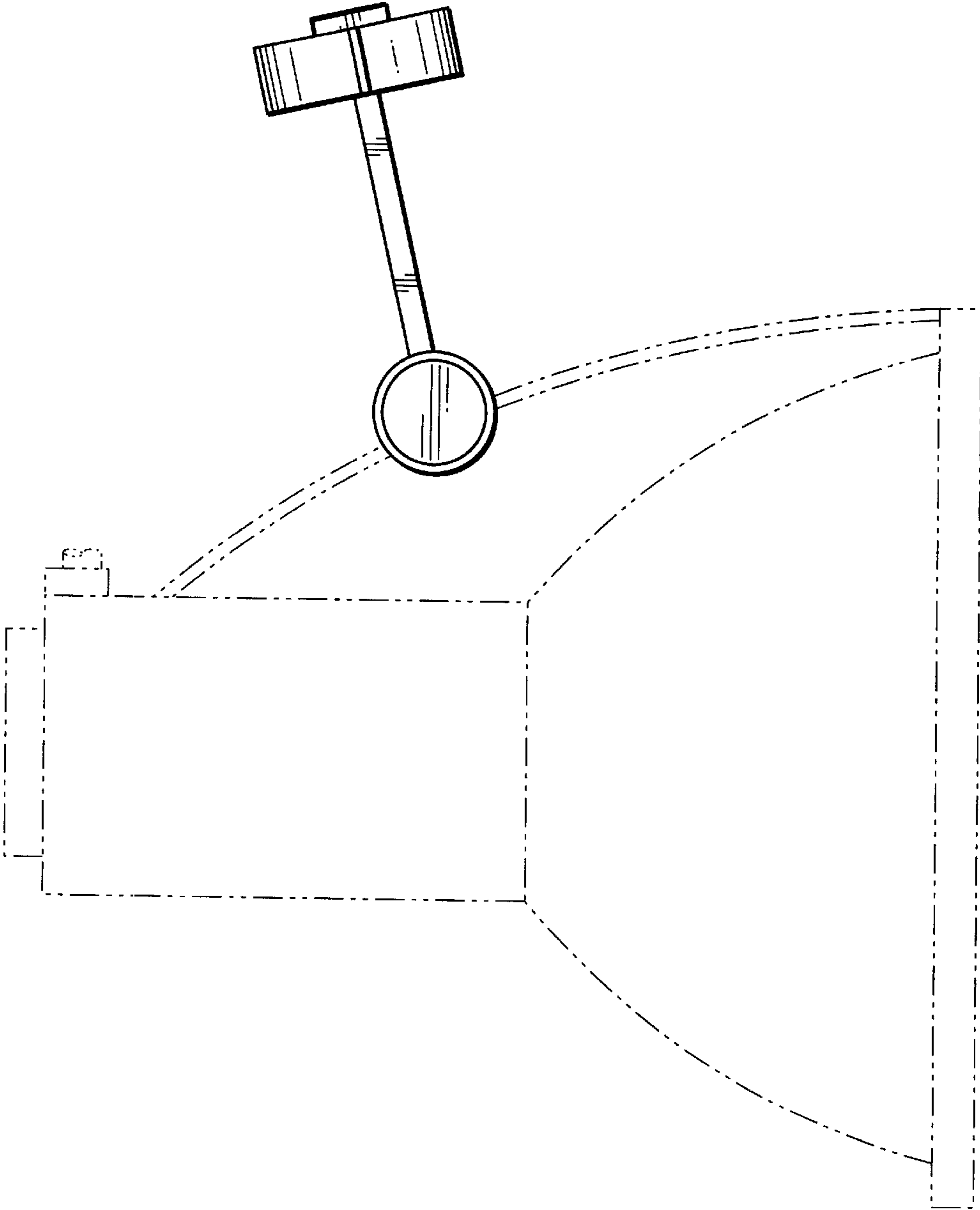


FIG. 4

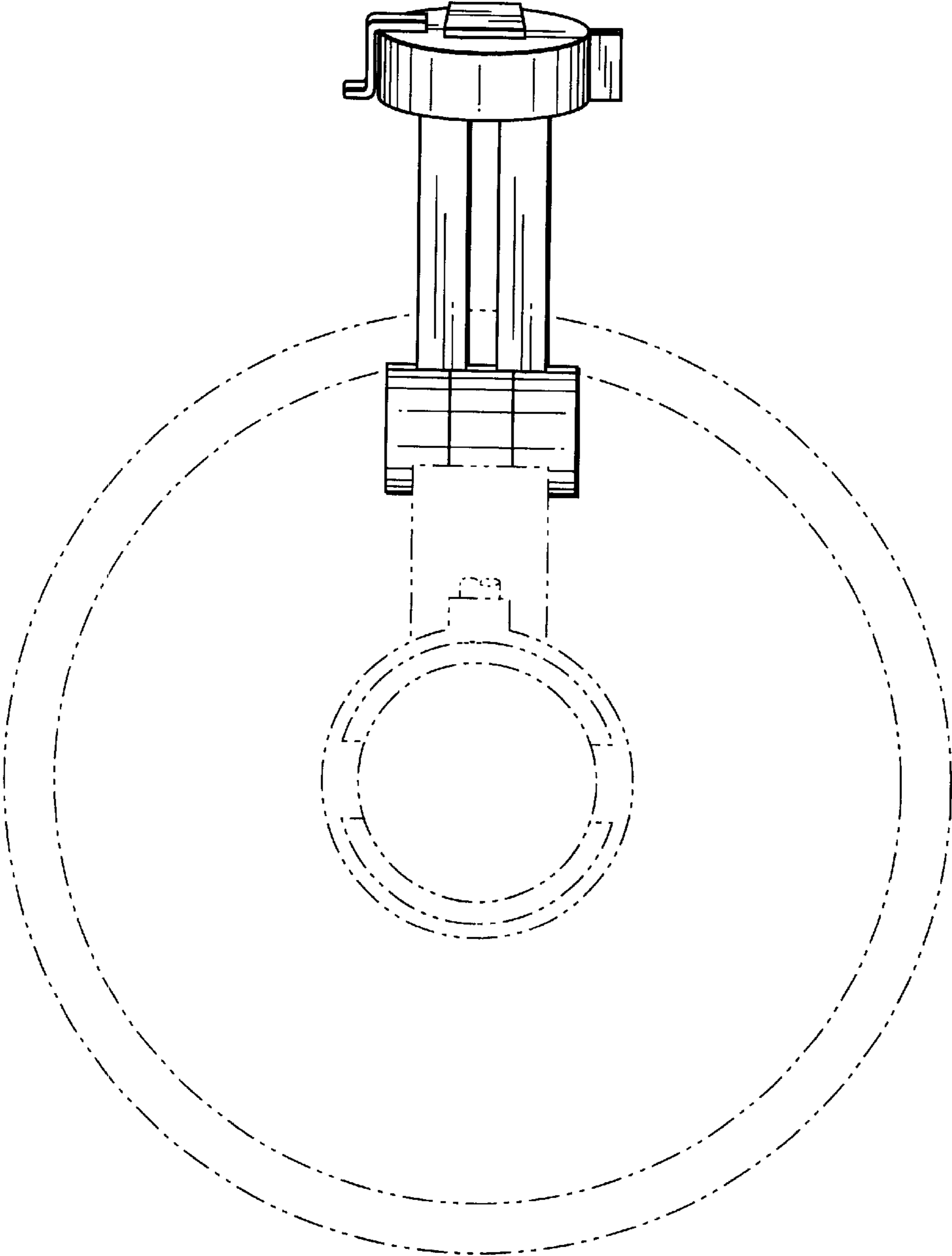


FIG. 5

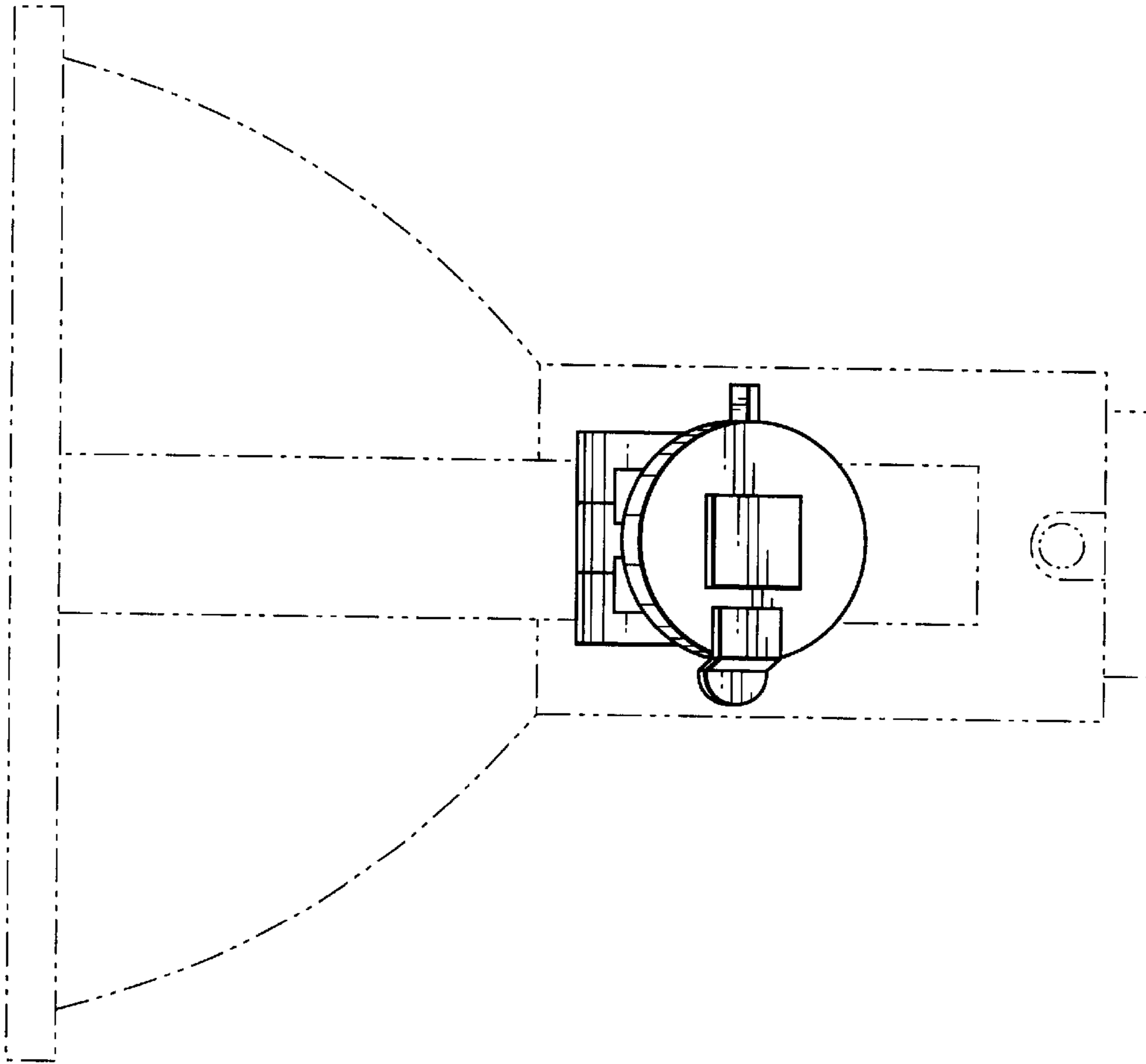


FIG. 6

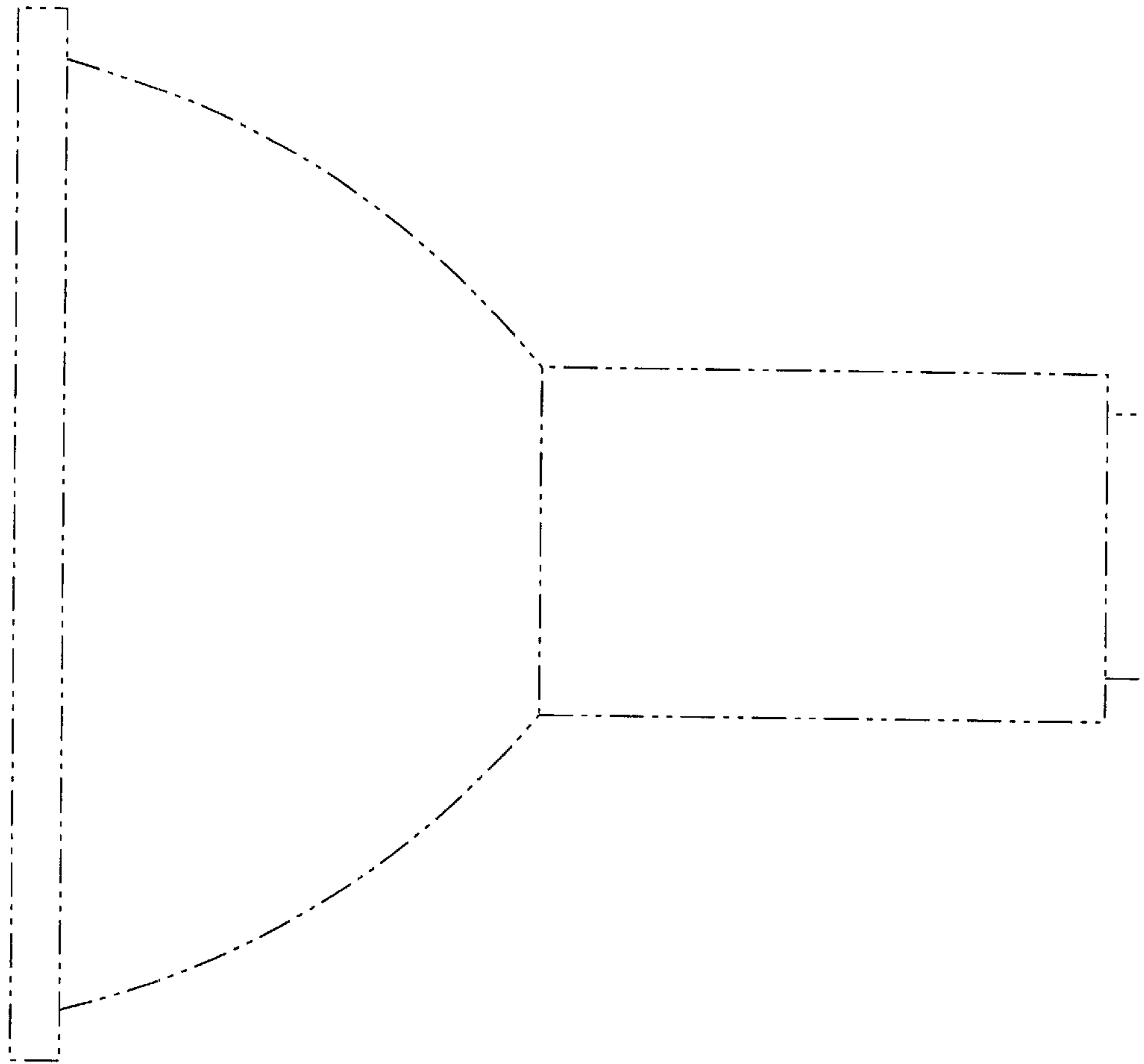


FIG. 7